



US00D723189S

(12) **United States Design Patent**  
**Knudsen**

(10) **Patent No.:** **US D723,189 S**  
(45) **Date of Patent:** **\*\* Feb. 24, 2015**

(54) **POST CAP**

D670,405 S \* 11/2012 McKenzie ..... D25/135

(71) Applicant: **N. Eric Knudsen**, Maple Valley, WA  
(US)

\* cited by examiner

(72) Inventor: **N. Eric Knudsen**, Maple Valley, WA  
(US)

*Primary Examiner* — Doris Clark

(74) *Attorney, Agent, or Firm* — Seed IP Law Group PLLC

(\*\*) Term: **14 Years**

(57) **CLAIM**

The ornamental design for a post cap, as shown and described.

(21) Appl. No.: **29/464,746**

**DESCRIPTION**

(22) Filed: **Aug. 20, 2013**

(51) **LOC (10) Cl.** ..... **25-01**

FIG. 1 is an isometric view of a post cap showing my new design.

(52) **U.S. Cl.**  
USPC ..... **D25/135**

FIG. 2 is a side elevational view thereof, which is the same for each side of the post cap.

(58) **Field of Classification Search**  
USPC ..... D25/135; 52/300; 256/65.01  
See application file for complete search history.

FIG. 3 is a top plan view thereof.

FIG. 4 is a bottom plan view thereof; and,

FIG. 5 is a bottom perspective view thereof.

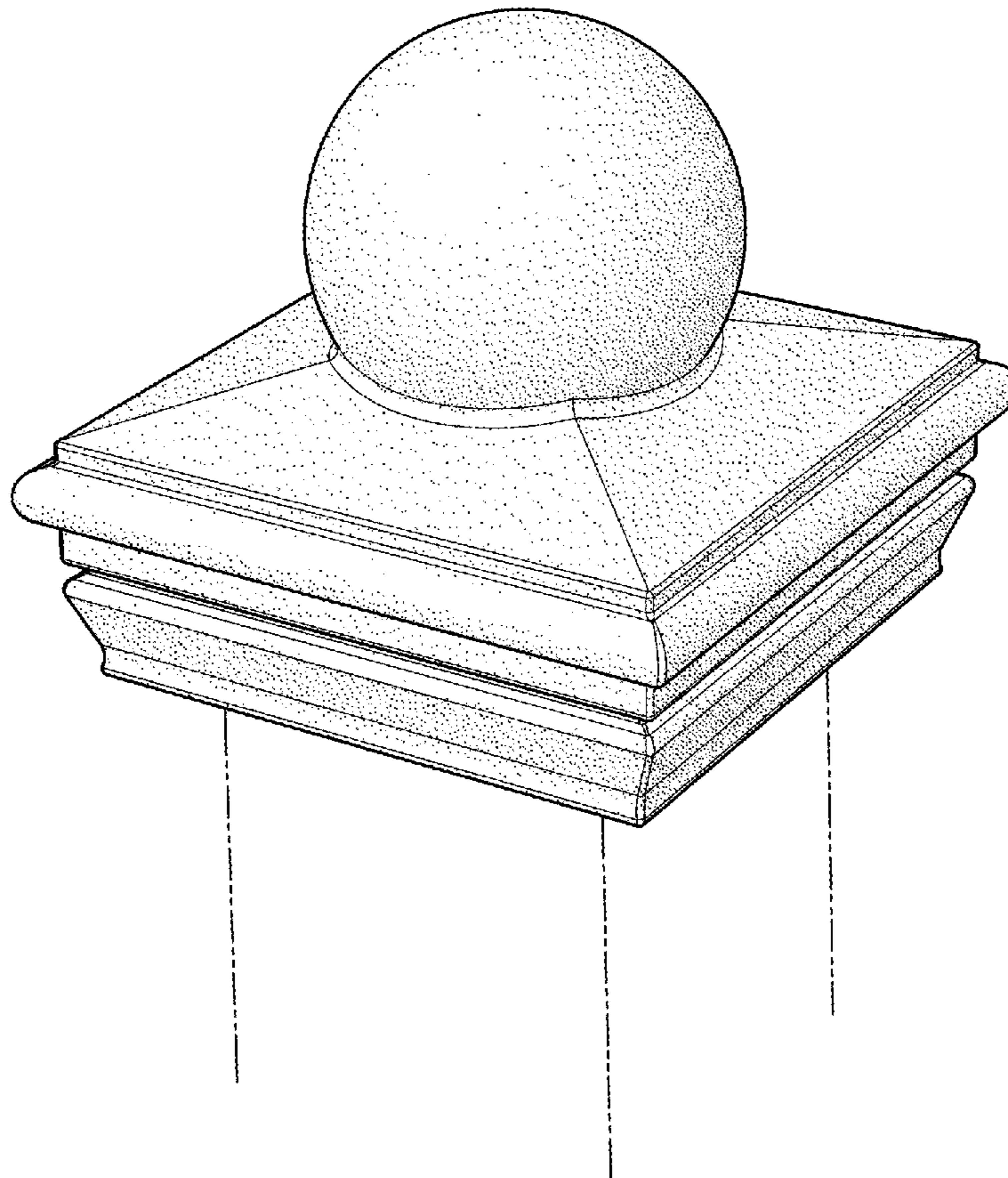
(56) **References Cited**

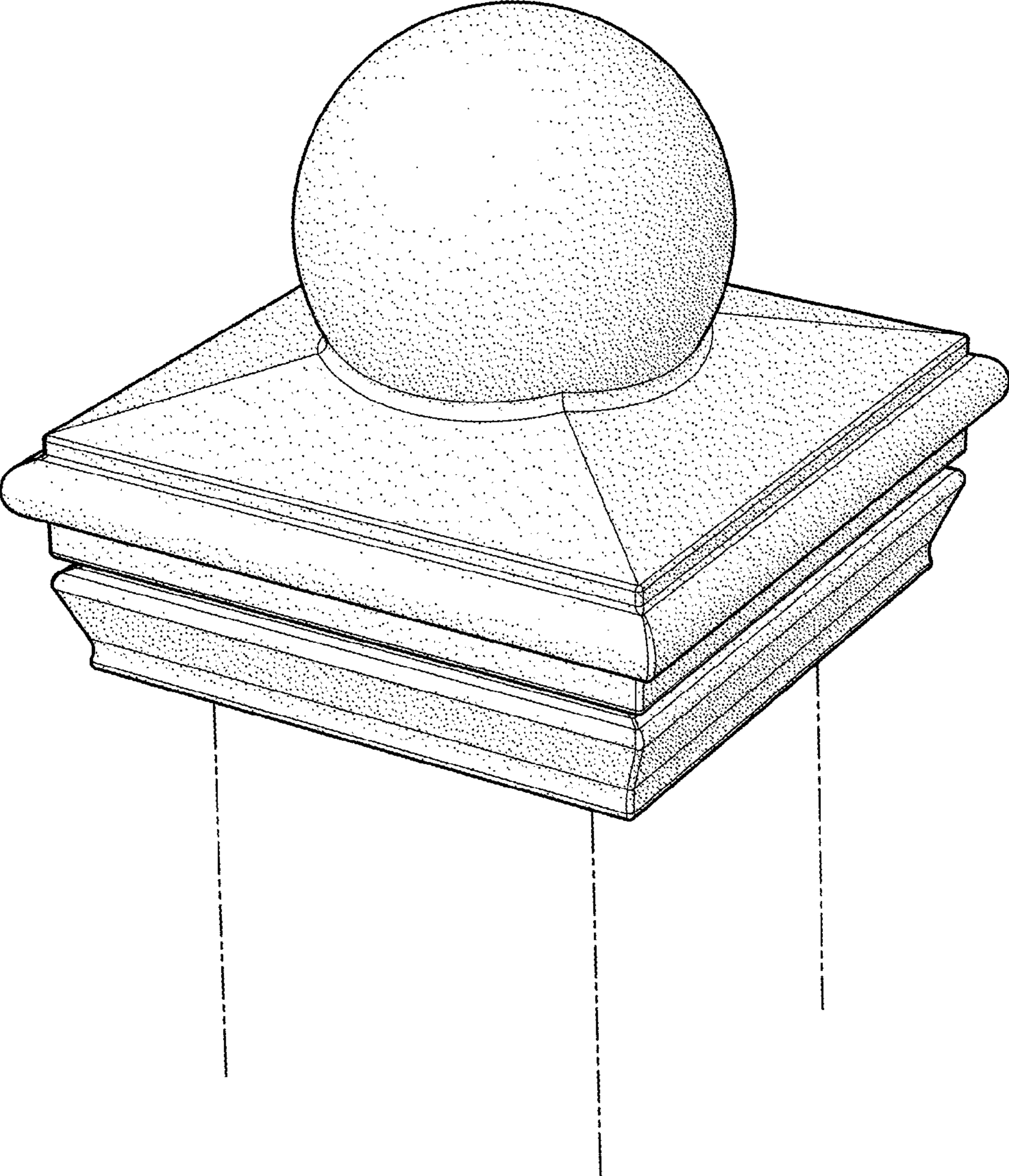
**U.S. PATENT DOCUMENTS**

6,138,422 A \* 10/2000 Wall et al. .... 52/300  
D509,603 S \* 9/2005 Rosian ..... D25/135  
D555,812 S \* 11/2007 Speck ..... D25/126

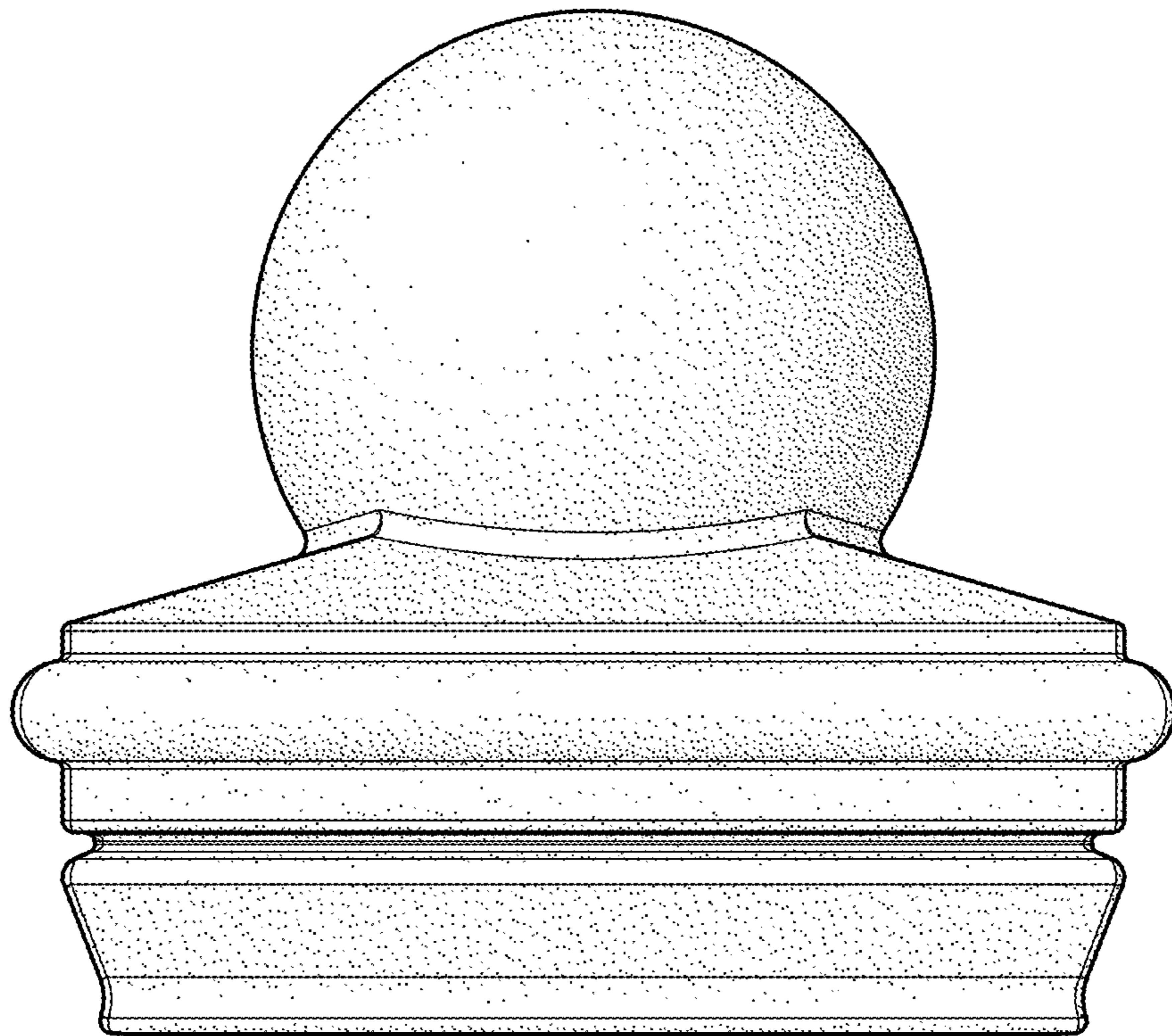
Stippling and contour lines shown in the drawings are intended to represent the approximate three-dimensional contours of the design, and are not intended to indicate surface decoration. The broken lines in the figures are for illustrative purposes only and form no part of the claimed design.

**1 Claim, 5 Drawing Sheets**



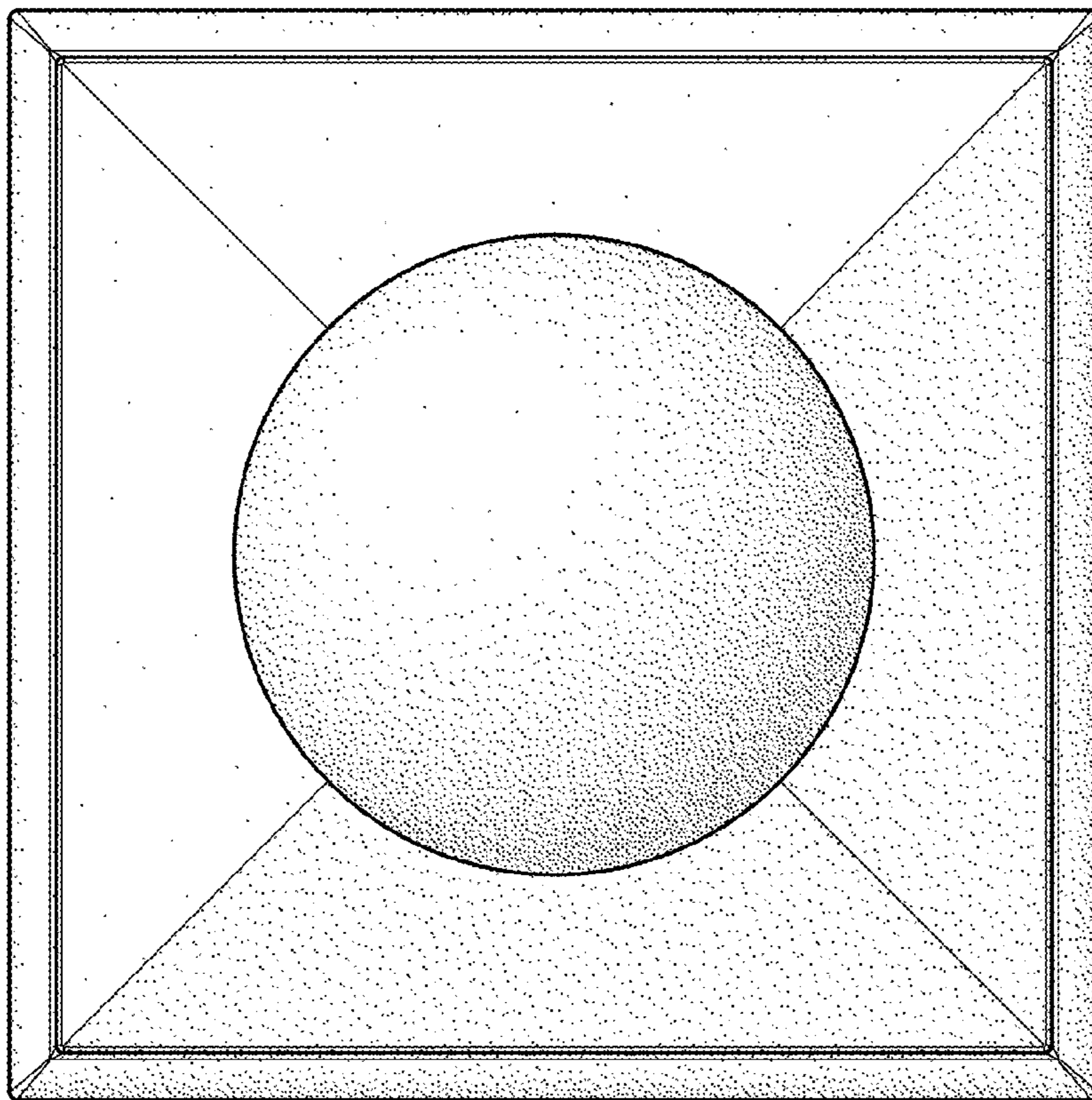


**FIG. 1**

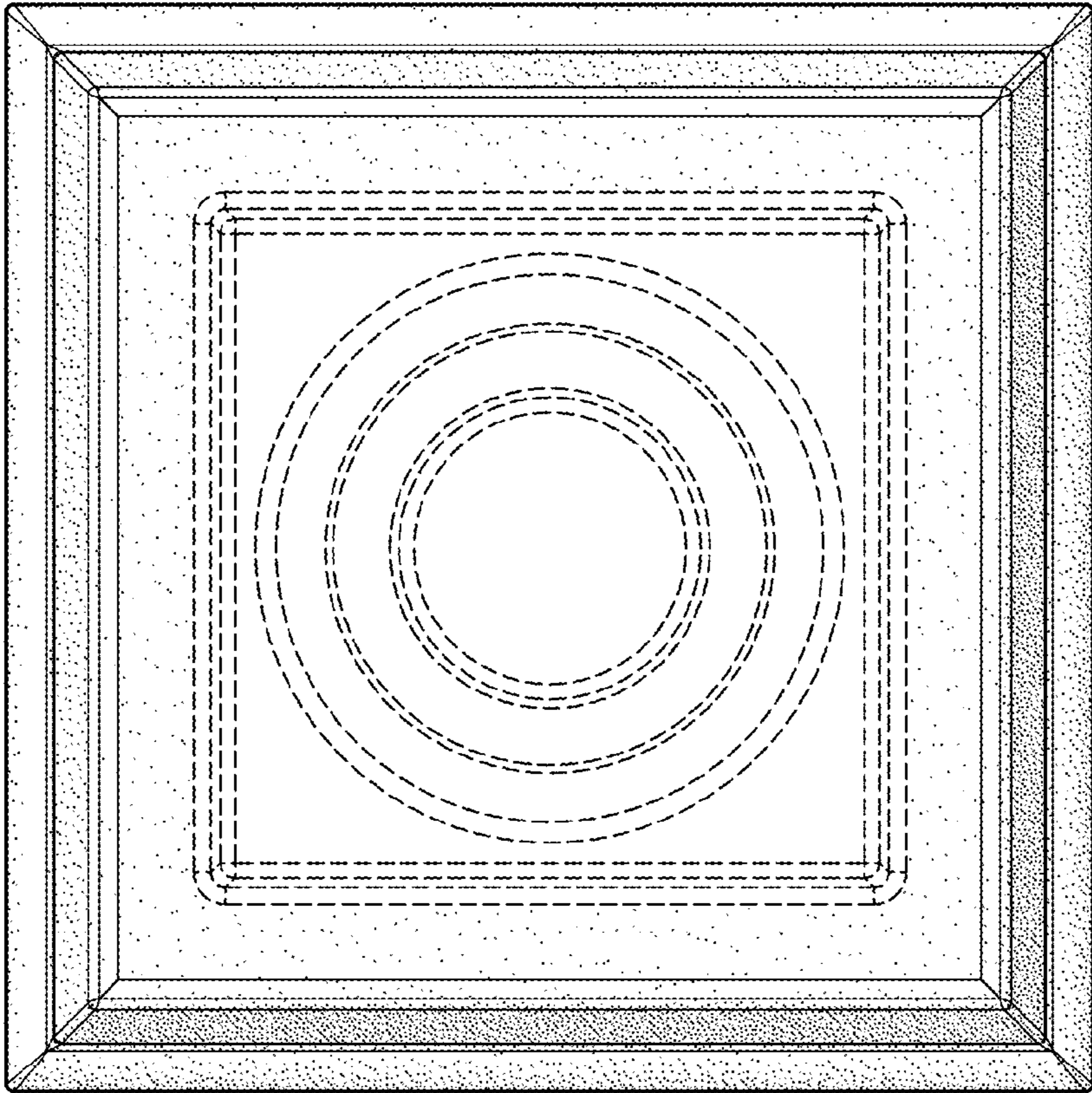


**FIG. 2**

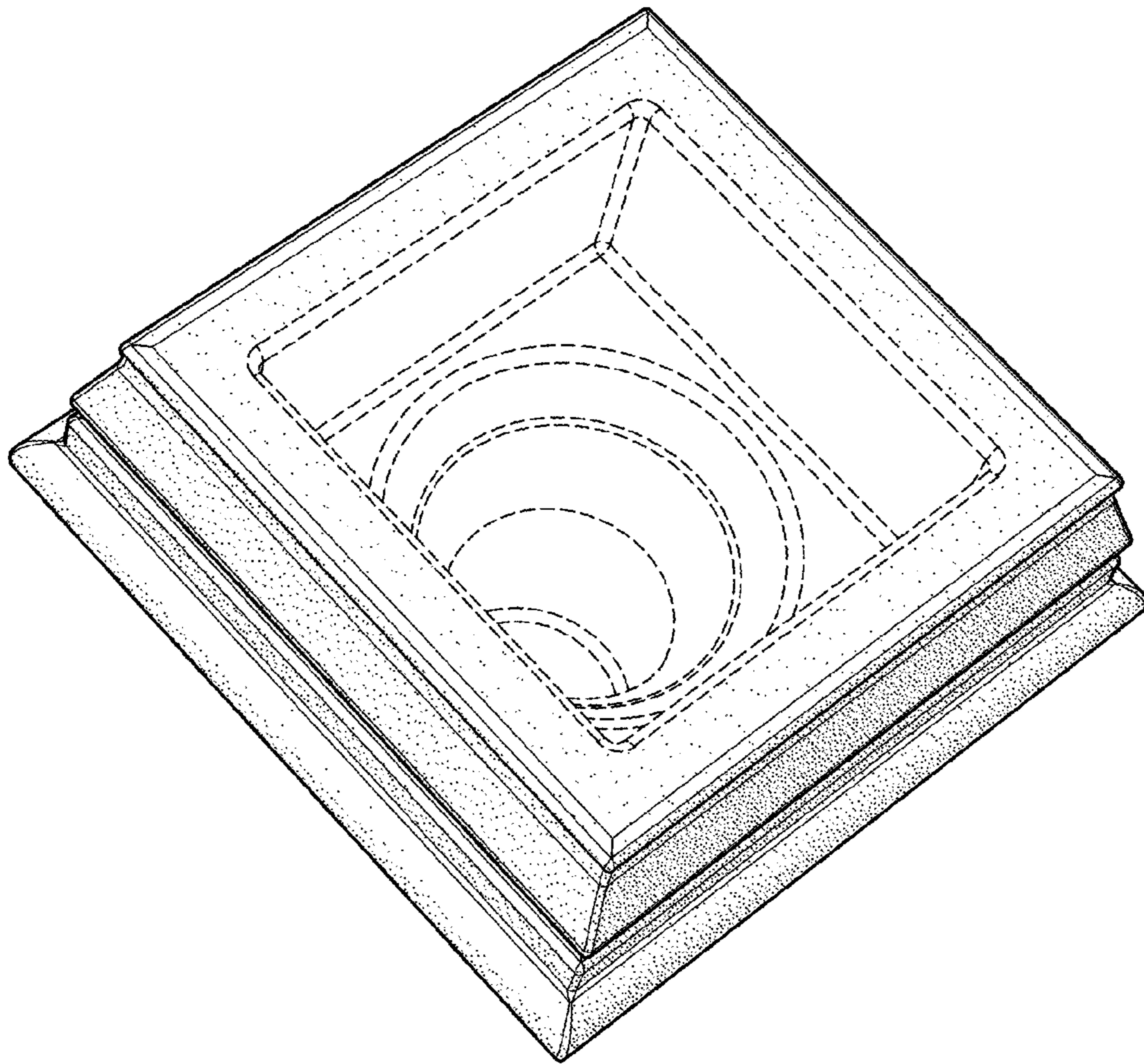




*FIG. 3*



**FIG. 4**



**FIG. 5**