



US00D723171S

(12) **United States Design Patent**  
**Ilic et al.**

(10) **Patent No.:** **US D723,171 S**

(45) **Date of Patent:** **\*\* Feb. 24, 2015**

- (54) **HEARING PROSTHESIS SLEEVE**
- (71) Applicant: **Cochlear Limited**, Macquarie University (AU)
- (72) Inventors: **Slobodan Ilic**, Chatswood (AU); **Hans Yoo**, Ryde (AU); **Tadeusz Jurkiewicz**, Rozelle (AU); **David Harte**, Erskenville (AU)
- (73) Assignee: **Cochlear Limited**, Macquarie University (AU)

D528,213 S *	9/2006	Darley et al. ....	D24/174
D530,819 S *	10/2006	Jurkiewicz et al. ....	D24/174
D562,459 S *	2/2008	Jurkiewicz ....	D24/174
D636,879 S *	4/2011	Dubs ....	D24/174
D679,817 S *	4/2013	Pedersen ....	D24/174
8,792,664 B2 *	7/2014	Bewley et al. ....	381/330

\* cited by examiner

*Primary Examiner* — Anhdao Doan

(74) *Attorney, Agent, or Firm* — McDonnell Boehnen Hulbert & Berghoff LLP

(\*\*) Term: **14 Years**

(57) **CLAIM**

The ornamental design for a hearing prosthesis sleeve, as shown and described.

(21) Appl. No.: **29/473,745**

(22) Filed: **Nov. 25, 2013**

**DESCRIPTION**

(51) **LOC (10) Cl.** ..... **24-99**

(52) **U.S. Cl.**  
USPC ..... **D24/174**

(58) **Field of Classification Search**  
USPC ..... D24/173-175, 151; D14/205, 206, D14/223-226, 249; 381/23.1, 312, 381/322-324, 328, 330, 380, 381; 181/135; D3/203.1, 218, 269, 300  
See application file for complete search history.

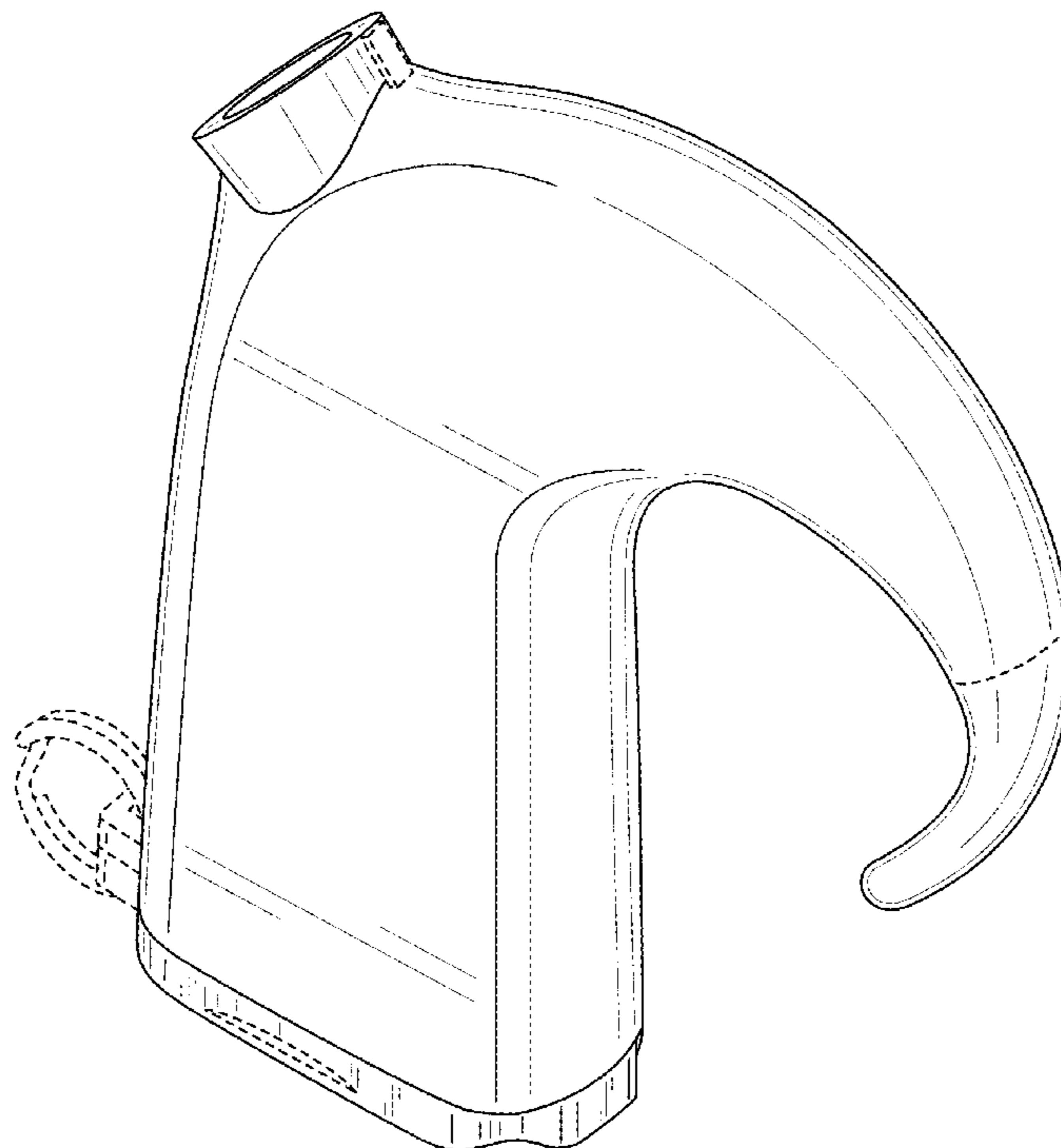
FIG. 1 is a perspective view of the hearing prosthesis sleeve of the present design;  
FIG. 2 is a front view thereof;  
FIG. 3 is a rear view thereof;  
FIG. 4 is a right side view thereof, the left side being a mirror image;  
FIG. 5 is a top view thereof;  
FIG. 6 is bottom view thereof; and,  
FIG. 7 is a right side view thereof with a bottom plug in an open position.  
The broken lines in the drawing views represent unclaimed portions of the hearing prosthesis sleeve and form no part of the claimed design.

(56) **References Cited**

U.S. PATENT DOCUMENTS

D333,560 S *	3/1993	Miyashita et al. ....	D3/218
D419,677 S *	1/2000	McKimm ....	D24/175
D473,652 S *	4/2003	Darley et al. ....	D24/173

**1 Claim, 5 Drawing Sheets**



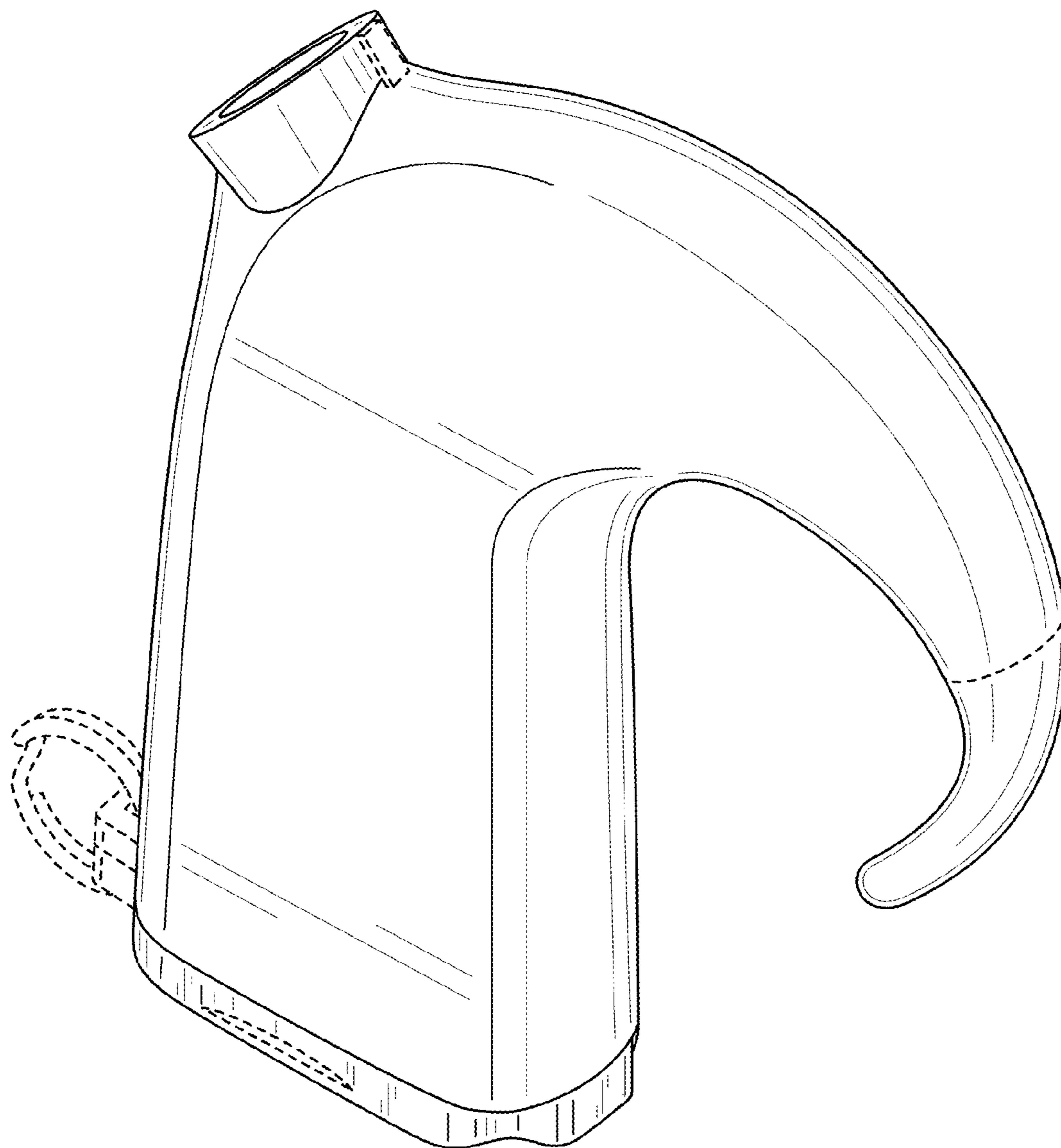


FIG. 1

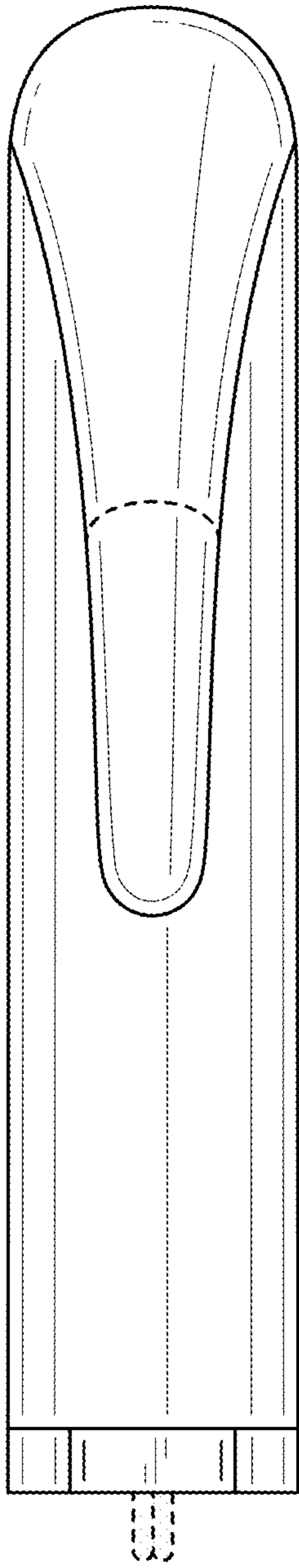


FIG. 2

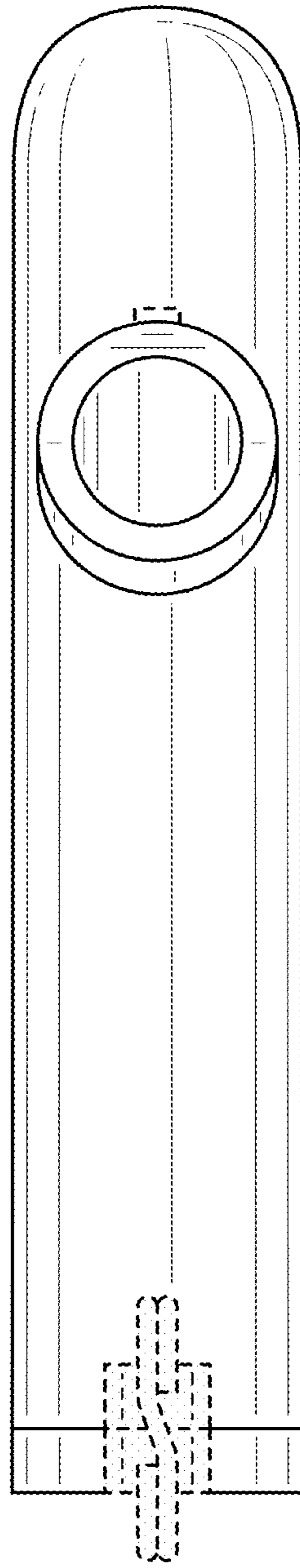


FIG. 3

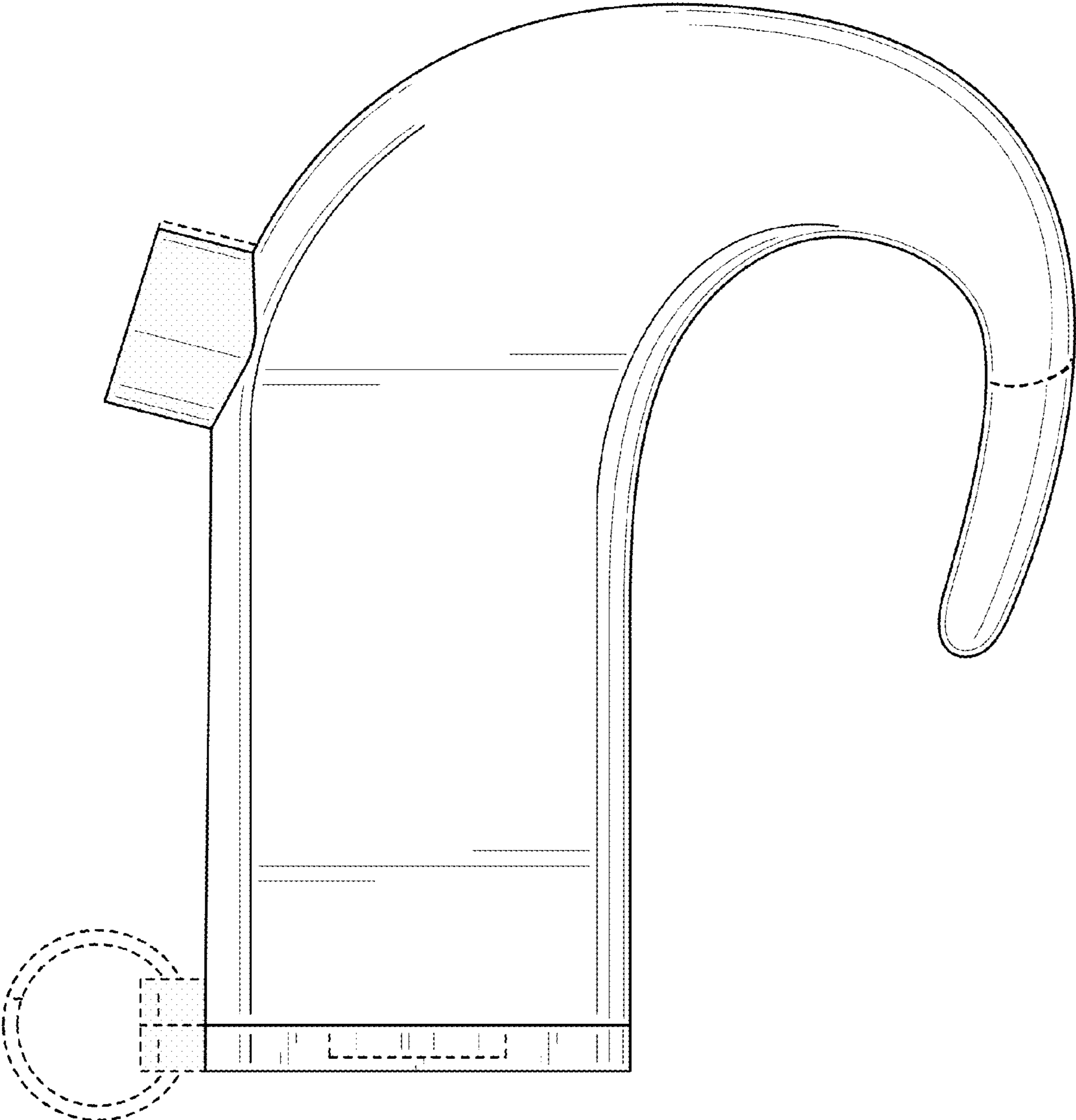


FIG. 4

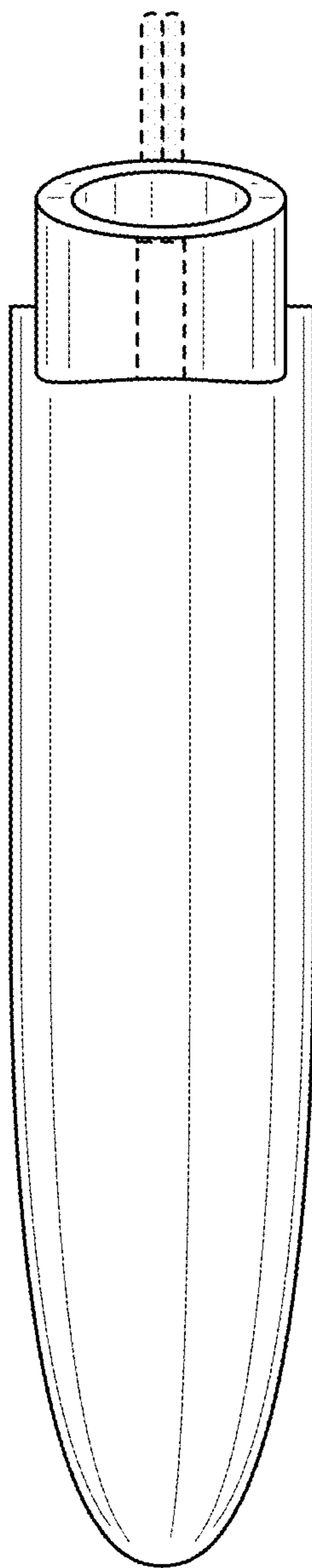


FIG. 5

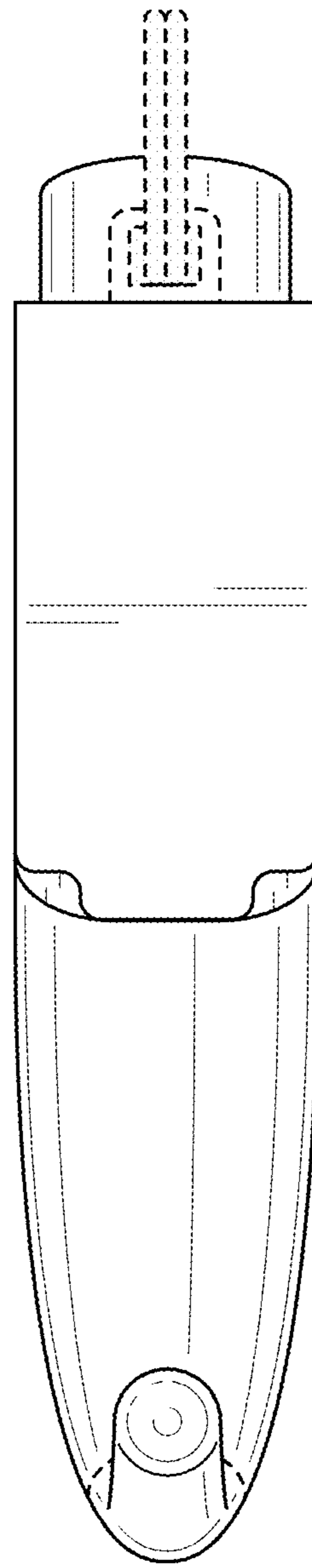


FIG. 6

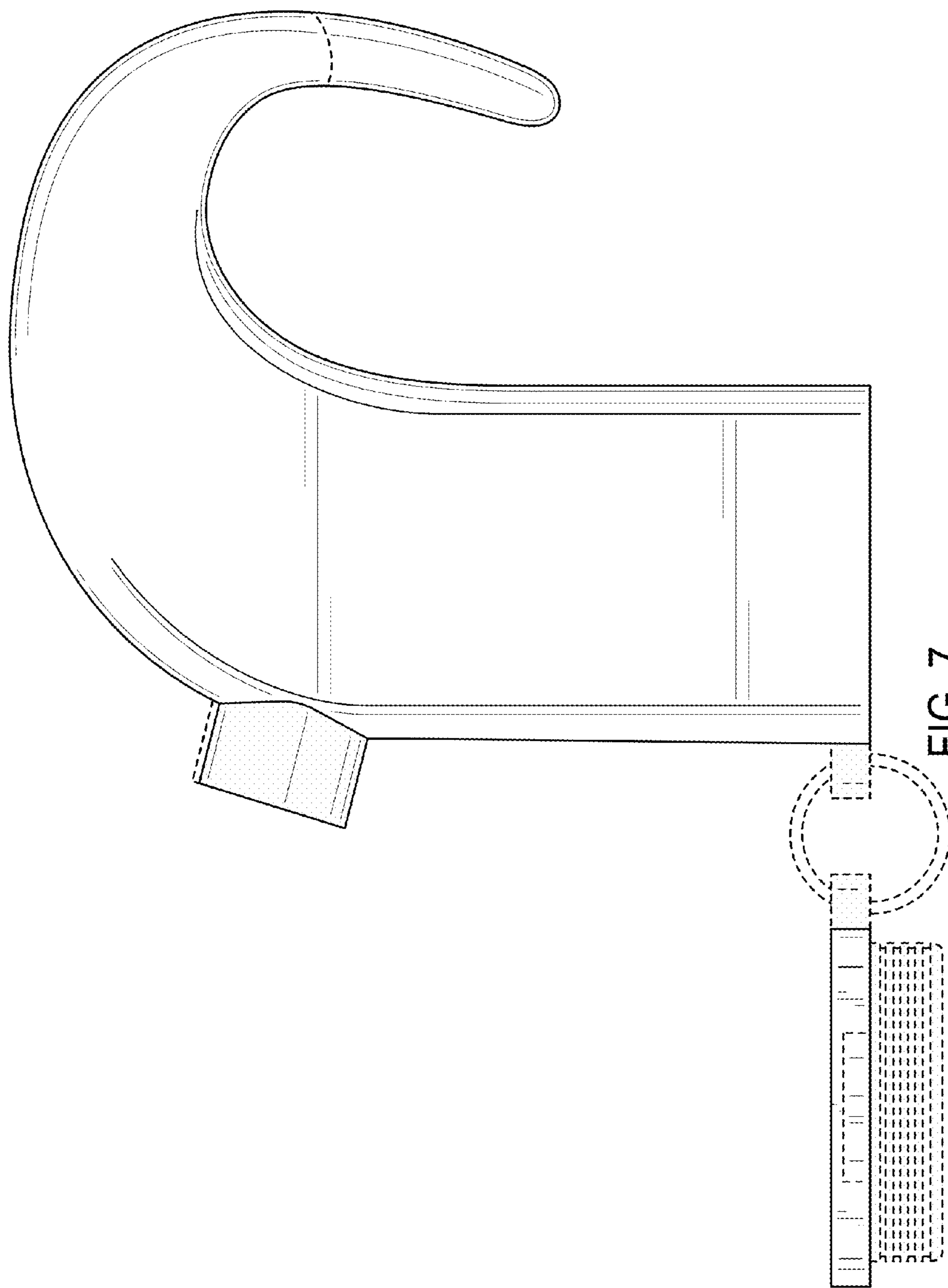


FIG. 7