

US00D723170S

(12) **United States Design Patent**
Hsu et al.

(10) **Patent No.:** **US D723,170 S**
(45) **Date of Patent:** **** Feb. 24, 2015**

(54) **GLUCOSE METER**

(71) Applicant: **Bionime Corporation**, Taichung (TW)

(72) Inventors: **Cheng-Teng Hsu**, Taichung (TW);
Hsi-Wen Huang, Taichung (TW)

(73) Assignee: **Bionime Corporation**, Taichung (TW)

(**) Term: **14 Years**

(21) Appl. No.: **29/492,036**

(22) Filed: **May 28, 2014**

(30) **Foreign Application Priority Data**

Apr. 8, 2014 (TW) 103112911

(51) **LOC (10) Cl.** **24-01**

(52) **U.S. Cl.**
USPC **D24/169**

(58) **Field of Classification Search**
USPC D24/216, 223, 231, 232, 107, 169, 186;
D10/81; 422/68.1, 420, 500;
435/287.1, 287.3; 436/43, 45, 47;
600/309, 365, 368, 583, 584

See application file for complete search history.

(56) **References Cited**

U.S. PATENT DOCUMENTS

D530,424	S	*	10/2006	Manser et al.	D24/169
D531,725	S	*	11/2006	Loerwald et al.	D24/146
D561,905	S	*	2/2008	Ramel et al.	D24/216
D664,258	S	*	7/2012	Harkin et al.	D24/169
D670,812	S	*	11/2012	Huang	D24/169
D688,146	S	*	8/2013	Liu	D10/81
8,840,776	B2	*	9/2014	Hsu	422/68.1
2010/0198107	A1	*	8/2010	Groll et al.	600/583

* cited by examiner

Primary Examiner — Anhdao Doan

(74) *Attorney, Agent, or Firm* — Shook Hardy & Bacon LLP

(57) **CLAIM**

The ornamental design for glucose meter, as shown and described.

DESCRIPTION

FIG. 1 is a perspective view of glucose meter showing our new design;

FIG. 2 is a front elevational view thereof;

FIG. 3 is a rear elevational view thereof;

FIG. 4 is a left side elevational view thereof;

FIG. 5 is a right side elevational view thereof;

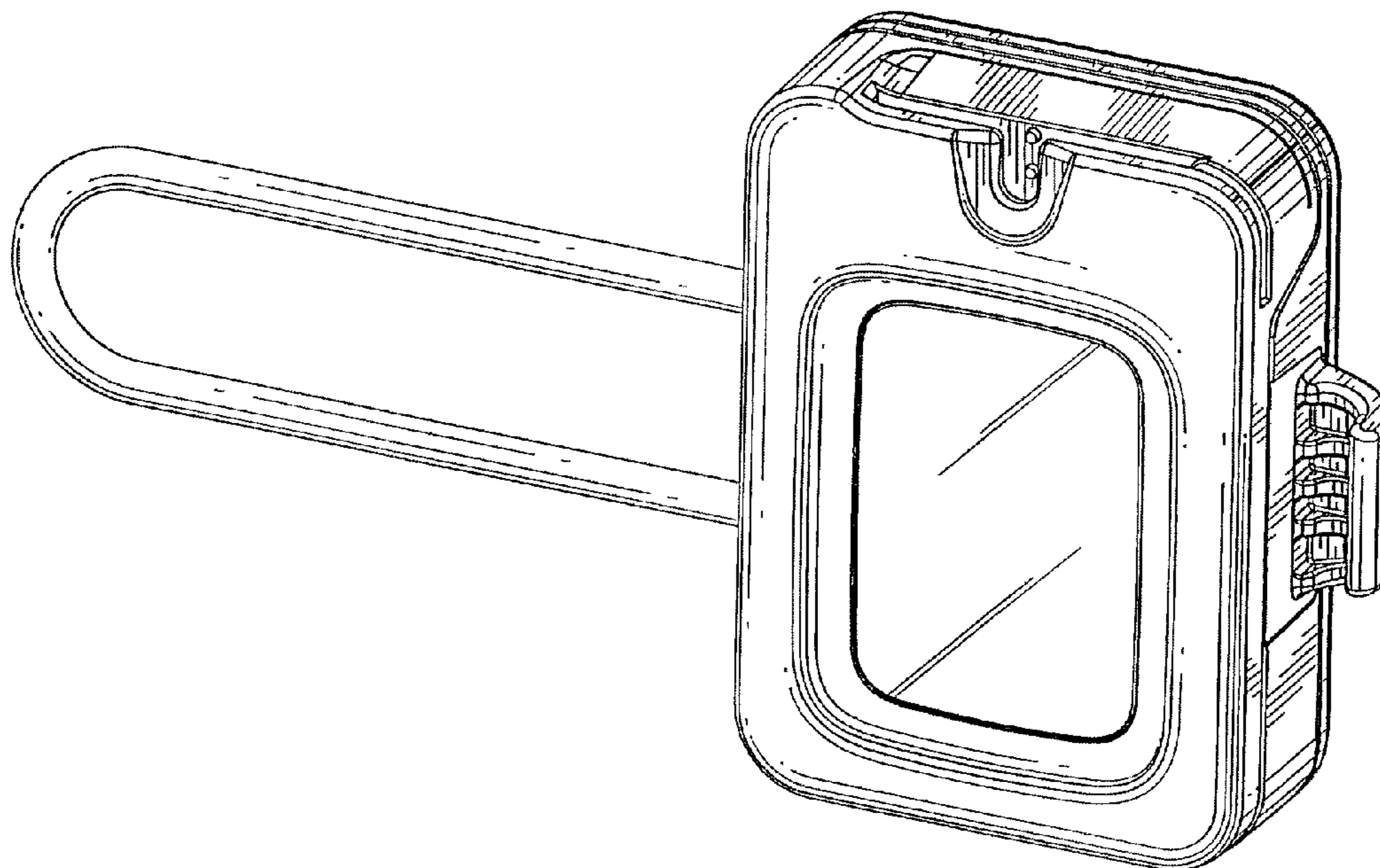
FIG. 6 is a top plan view thereof;

FIG. 7 is a bottom plan view thereof; and,

FIG. 8 is a perspective view in use.

The portions shown in dashed line do not form part of the design.

1 Claim, 6 Drawing Sheets



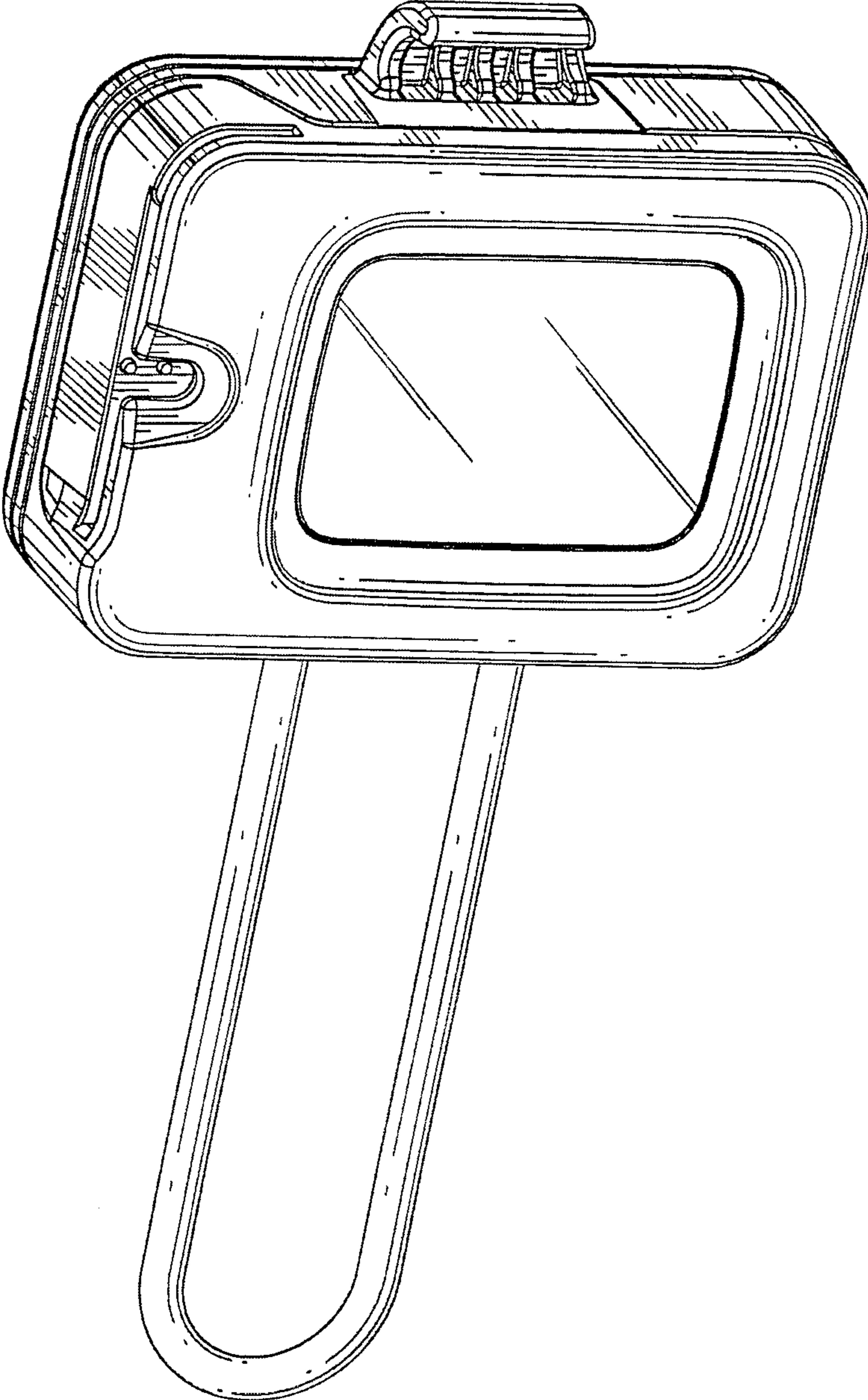


FIG.1

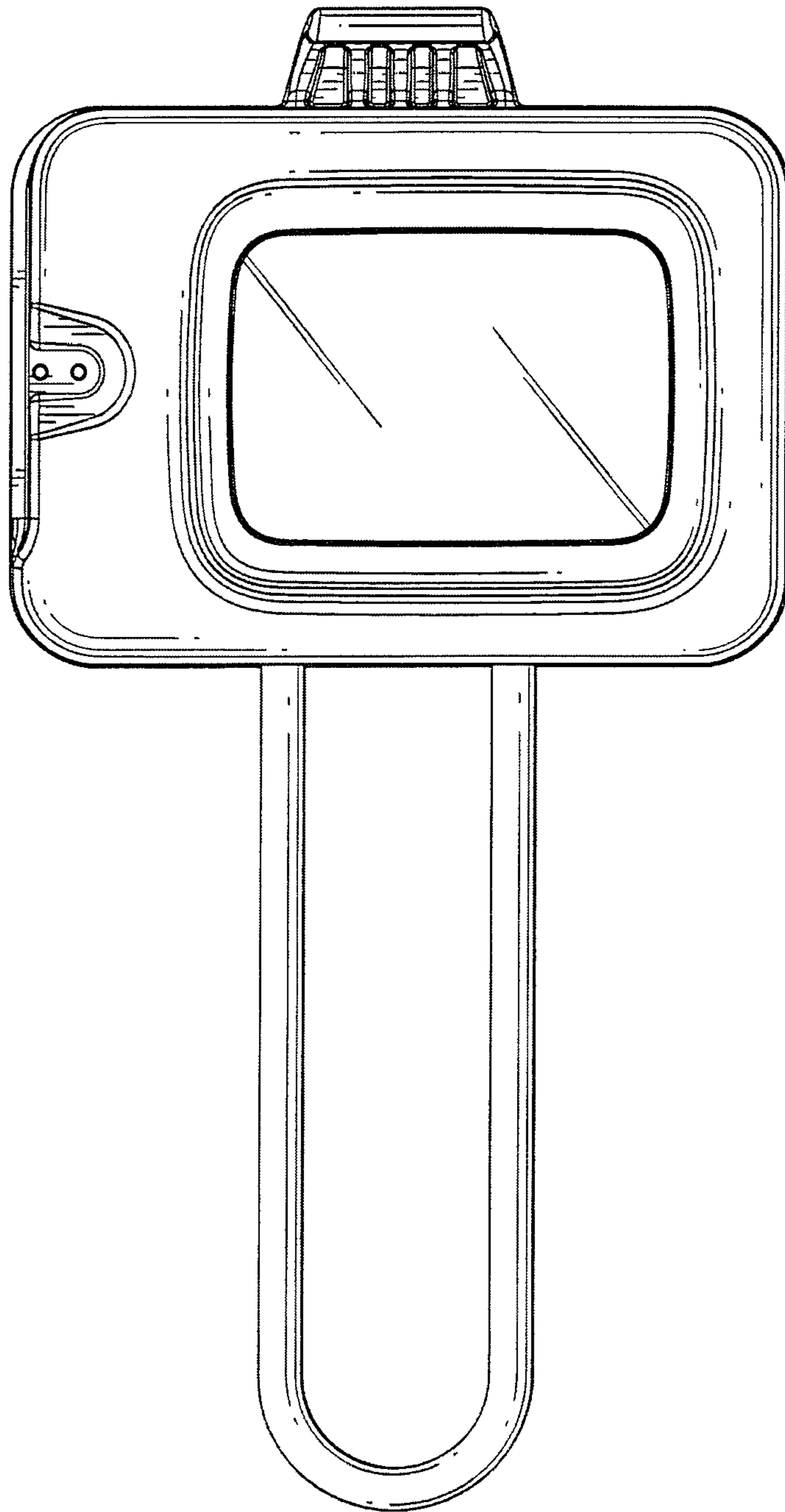


FIG.2

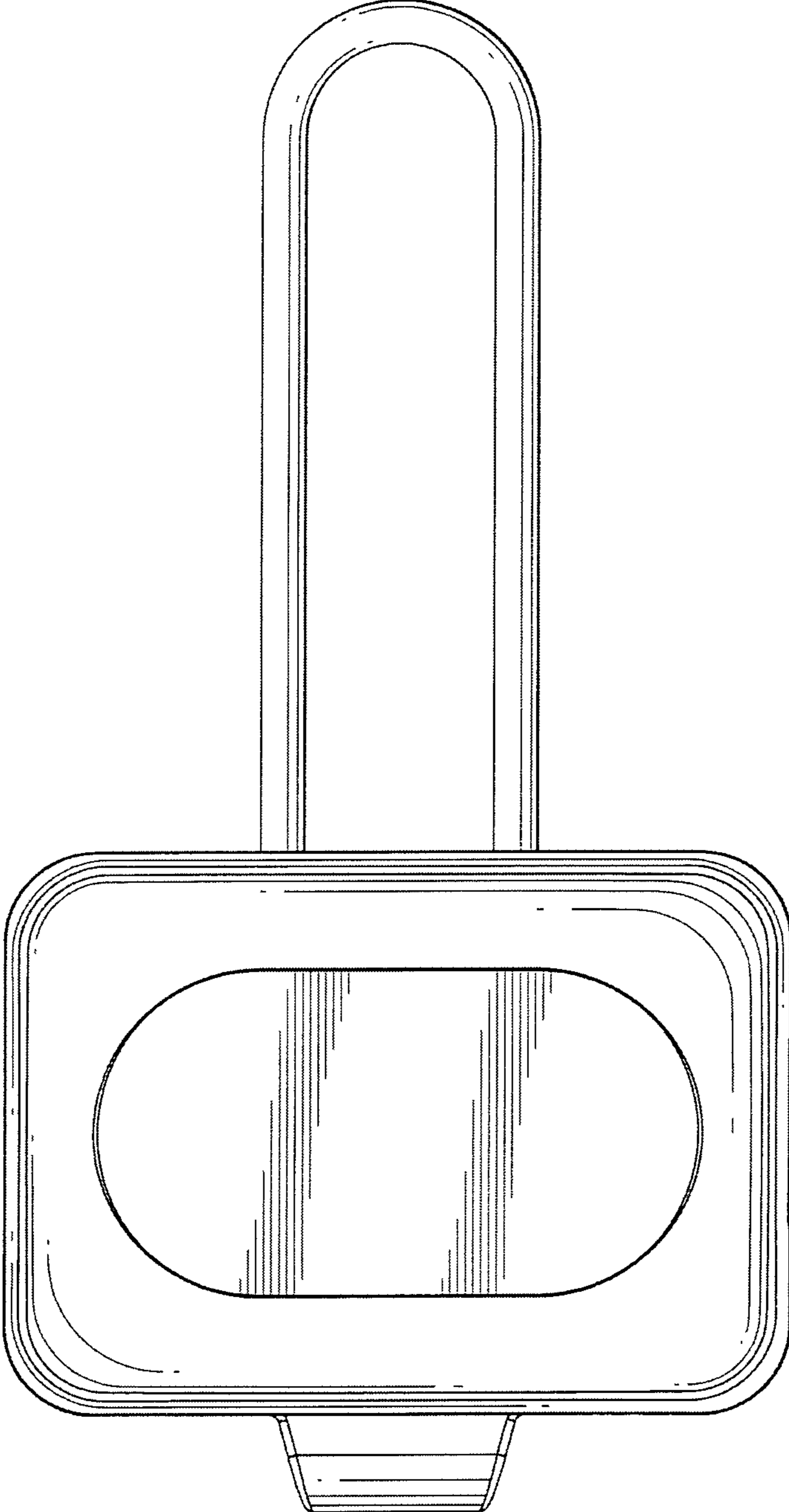


FIG.3

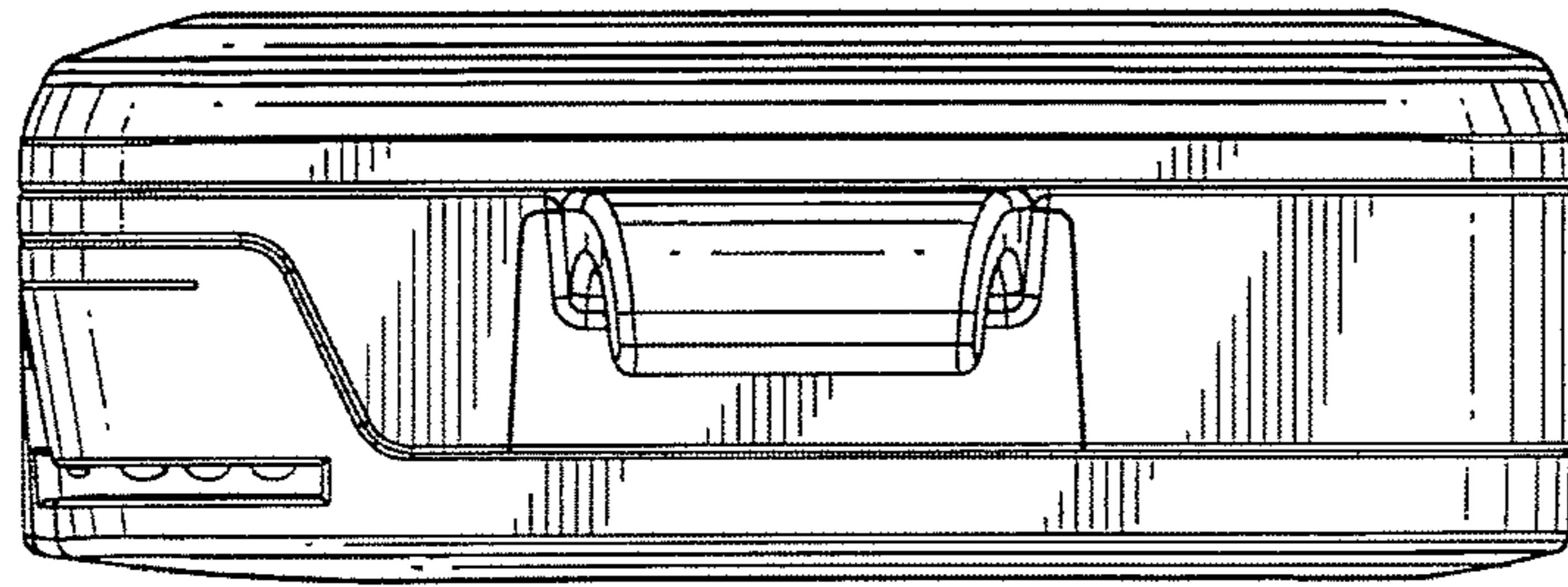


FIG. 5

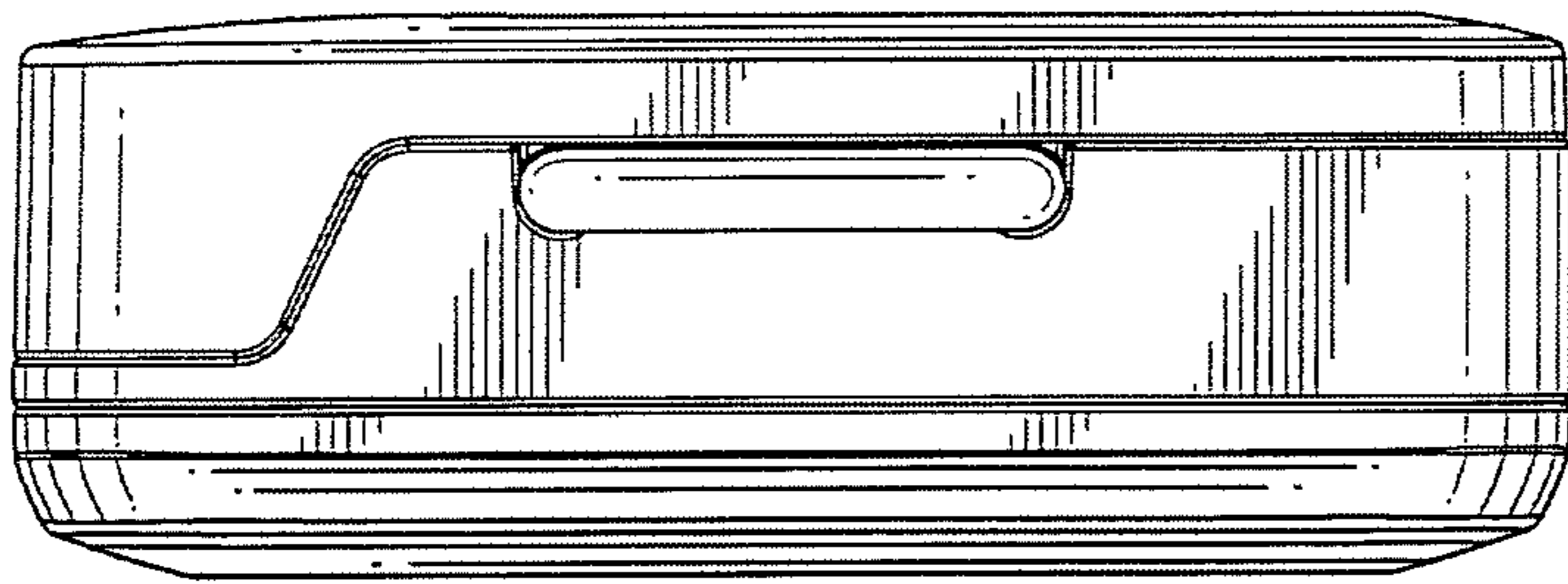


FIG. 4

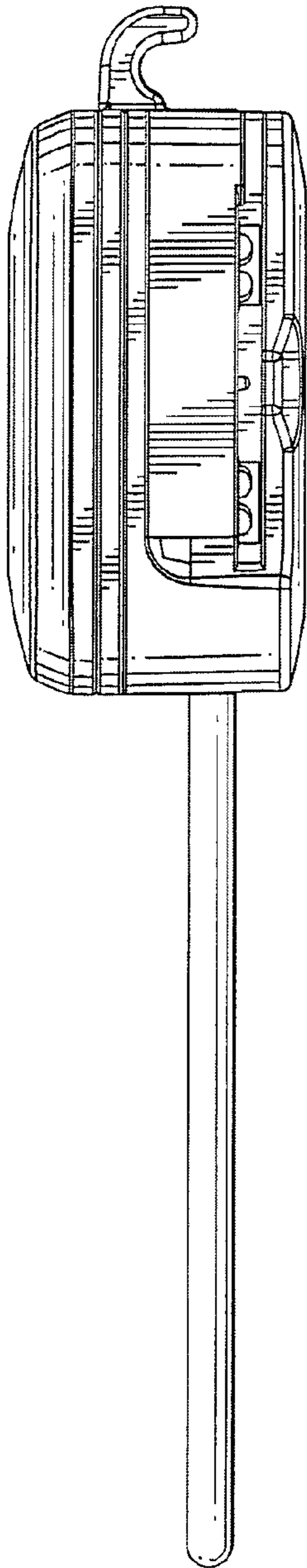


FIG. 6

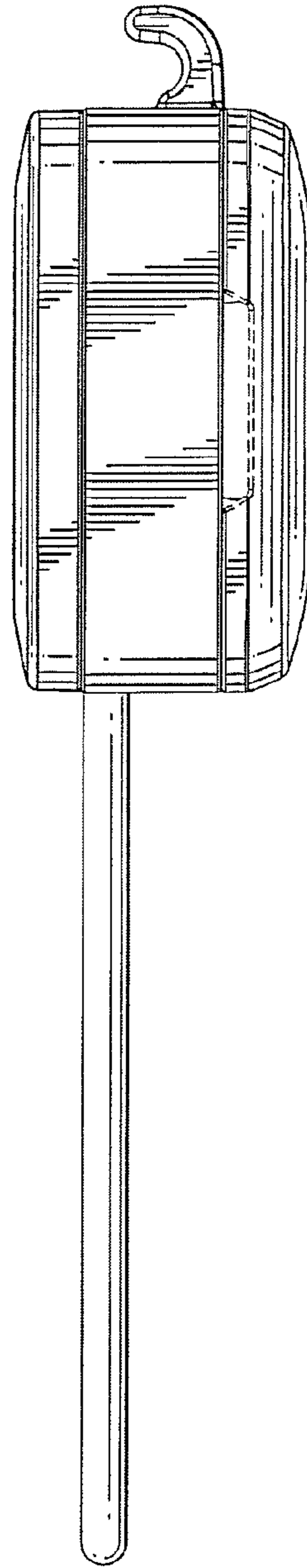


FIG. 7

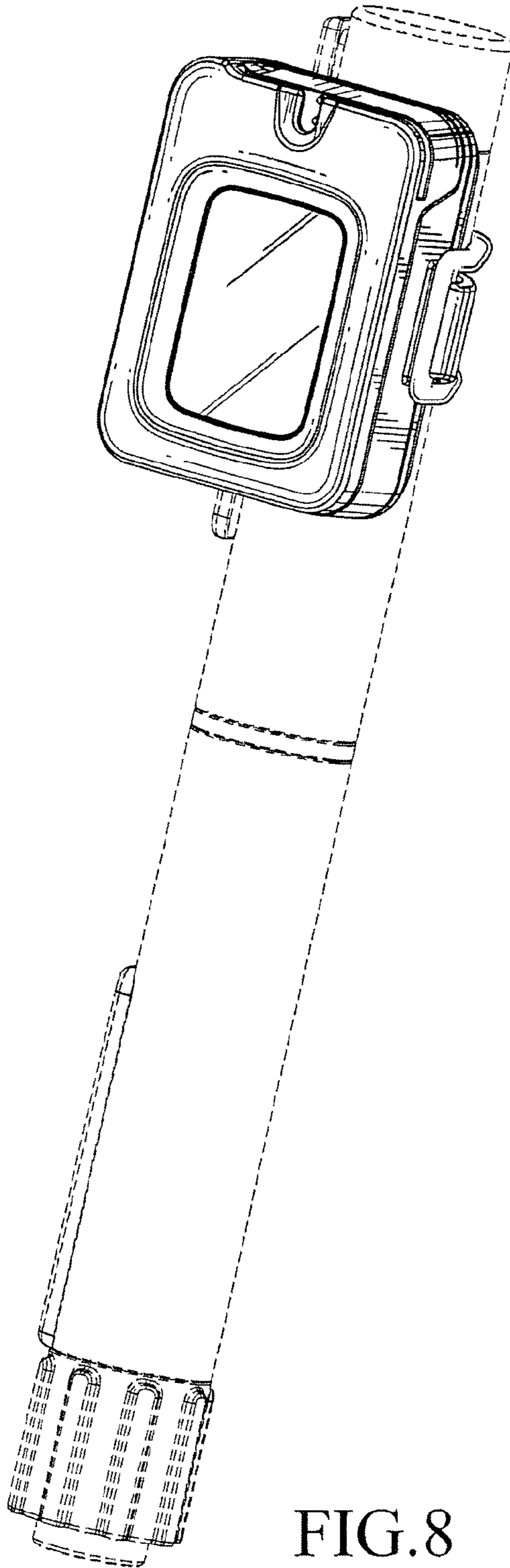


FIG. 8