



US00D723169S

(12) **United States Design Patent**
Ciesielka

(10) **Patent No.:** **US D723,169 S**
(45) **Date of Patent:** **** Feb. 24, 2015**

(54) **DENTAL SENSOR**

(71) Applicant: **DENTSPLY International Inc.**, York, PA (US)

(72) Inventor: **Sean V Ciesielka**, Belvidere, IL (US)

(73) Assignee: **DENTSPLY International Inc.**, York, PA (US)

(**) Term: **14 Years**

(21) Appl. No.: **29/494,426**

(22) Filed: **Jun. 20, 2014**

(51) **LOC (10) Cl.** **24-01**

(52) **U.S. Cl.**
USPC **D24/161**

(58) **Field of Classification Search**
USPC D24/158-161, 185, 186, 152, 176, 177;
378/38, 39, 167, 168, 170, 177, 180,
378/191, 205, 208; 433/27, 29
See application file for complete search history.

(56) **References Cited**

U.S. PATENT DOCUMENTS

| | | | | | | |
|-----------|---|---|---------|-----------|-------|---------|
| D246,798 | S | * | 12/1977 | Jermyn | | D24/161 |
| 4,945,553 | A | | 7/1990 | Willis | | |
| 5,022,065 | A | | 6/1991 | Wijkstrom | | |
| 5,256,982 | A | | 10/1993 | Willis | | |
| D370,732 | S | * | 6/1996 | Smith | | D24/161 |
| D406,892 | S | * | 3/1999 | Warren | | D24/161 |

| | | | | | | |
|--------------|----|---|---------|--------------------|-------|---------|
| 6,203,195 | B1 | | 3/2001 | Willis | | |
| 6,343,875 | B1 | * | 2/2002 | Eppinger et al. | | 378/170 |
| 6,461,038 | B2 | | 10/2002 | Pellegrini et al. | | |
| 6,974,253 | B2 | | 12/2005 | Ihalainen | | |
| 7,097,356 | B2 | | 8/2006 | Calderwood et al. | | |
| D537,943 | S | * | 3/2007 | Schmulenson | | D24/158 |
| 7,226,208 | B2 | | 6/2007 | Schmulenson | | |
| 7,607,830 | B2 | | 10/2009 | Schmulenson | | |
| 8,142,074 | B2 | | 3/2012 | Schmulenson et al. | | |
| D713,039 | S | * | 9/2014 | Hayman et al. | | D24/161 |
| 8,876,375 | B2 | * | 11/2014 | Laude | | 378/170 |
| 2005/0190889 | A1 | * | 9/2005 | Sisto et al. | | 378/168 |
| 2007/0121789 | A1 | * | 5/2007 | Steck et al. | | 378/168 |
| 2011/0051900 | A1 | * | 3/2011 | Steward, Jr. | | 378/147 |

* cited by examiner

Primary Examiner — Anhdao Doan

(74) *Attorney, Agent, or Firm* — Leana Levin; Douglas J. Hura; David A. Zdurne

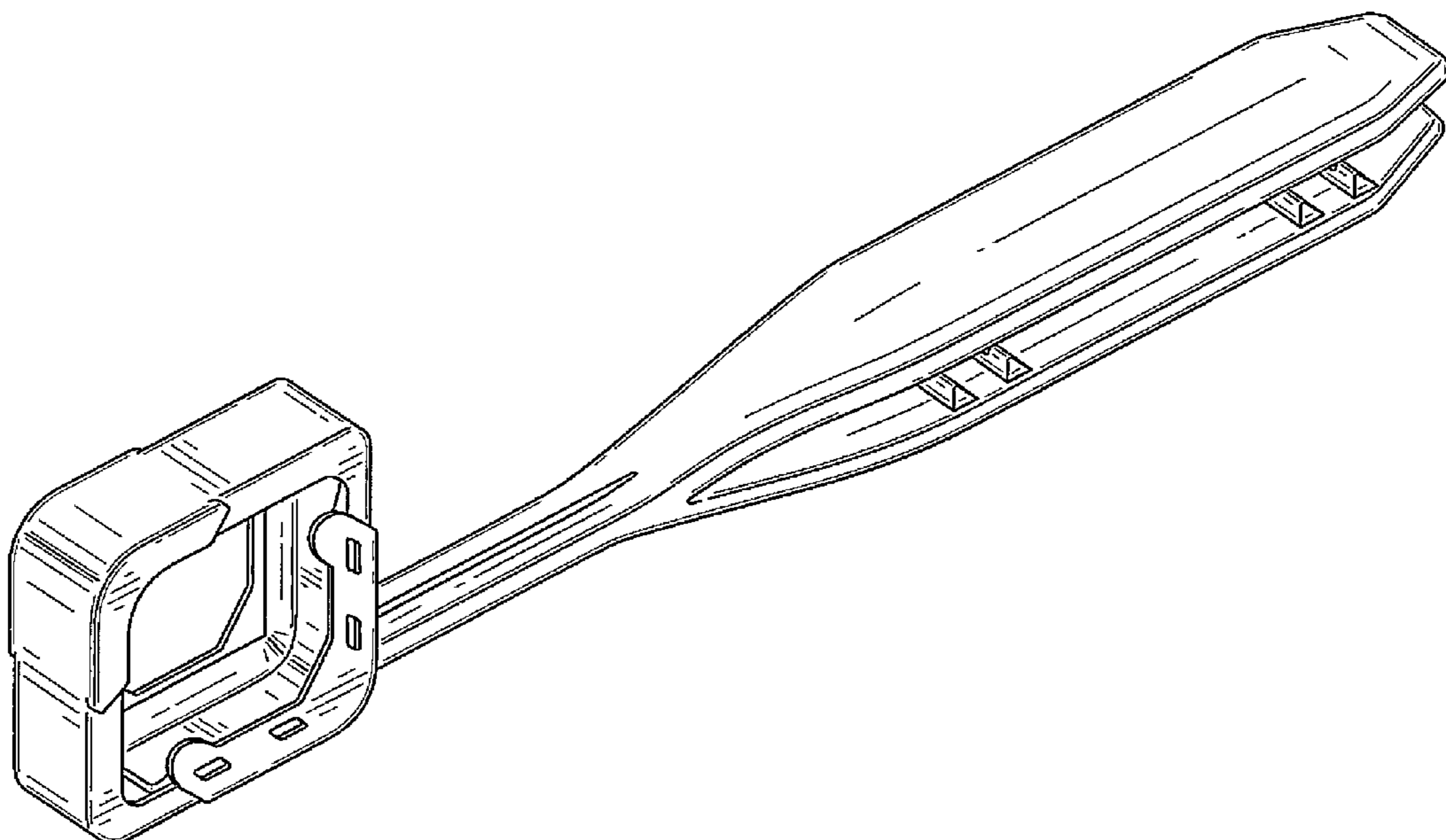
(57) **CLAIM**

The ornamental design for a dental sensor, as shown and described.

DESCRIPTION

FIG. 1 is an isometric view of a dental sensor on a stick showing our new design;
FIG. 2 is a first side view top view thereof;
FIG. 3 is a second side bottom view thereof;
FIG. 4 is a top view thereof;
FIG. 5 is a bottom view thereof;
FIG. 6 is a front view thereof; and,
FIG. 7 is a rear view thereof.

1 Claim, 4 Drawing Sheets



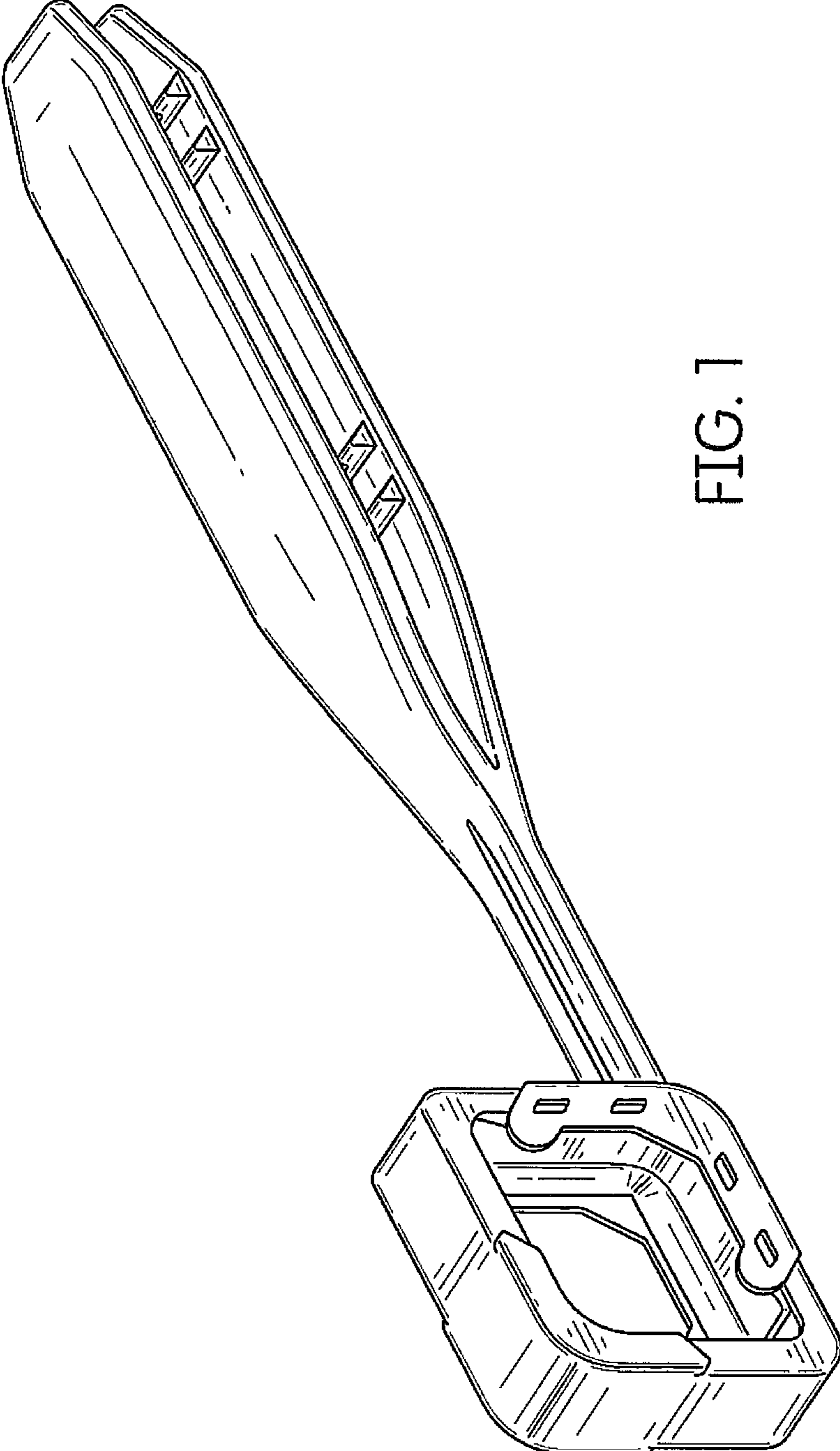


FIG. 1

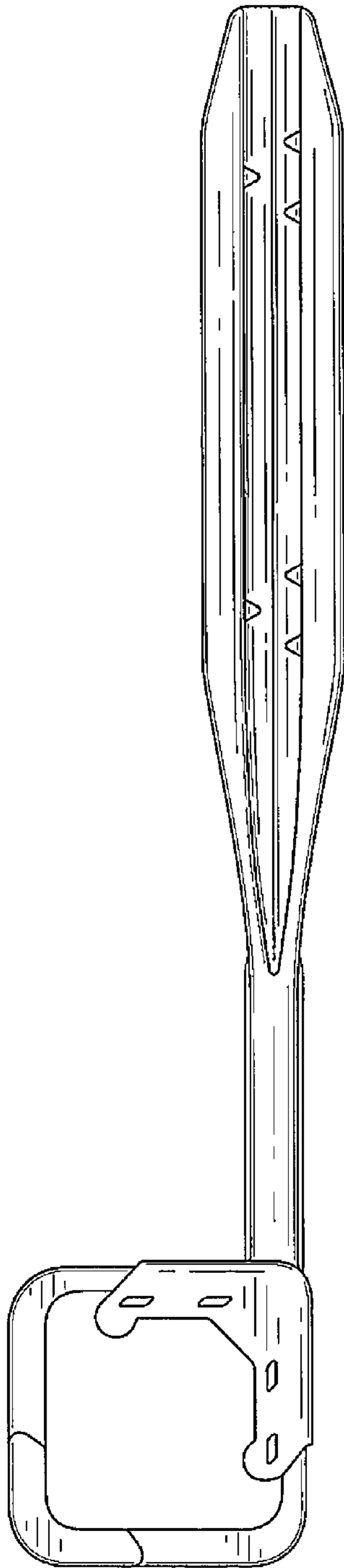


FIG. 2

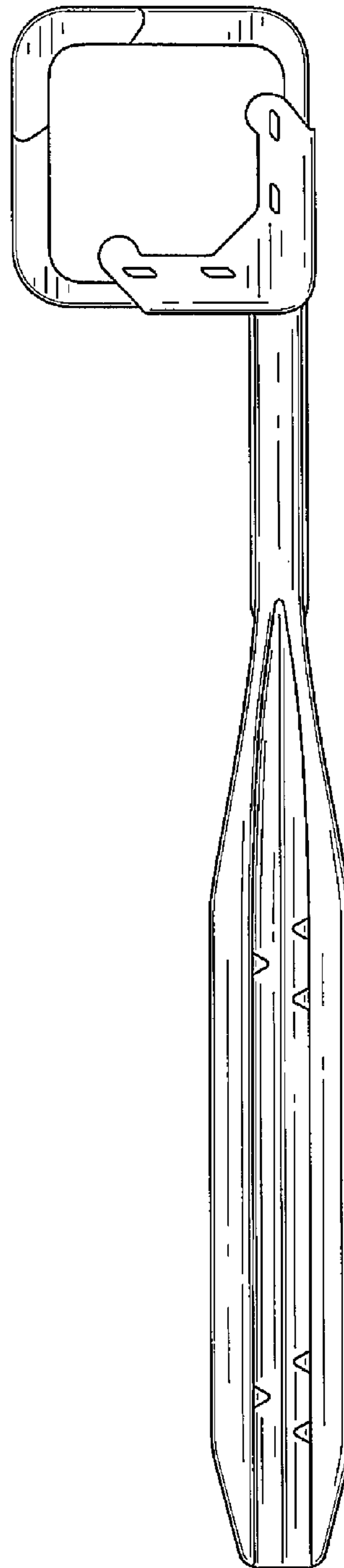


FIG. 3

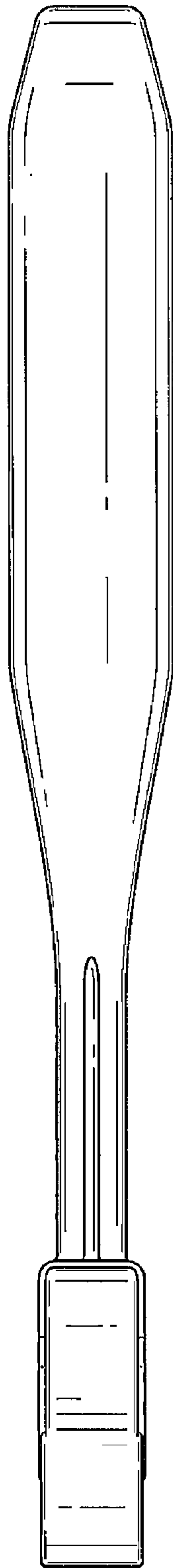


FIG. 4

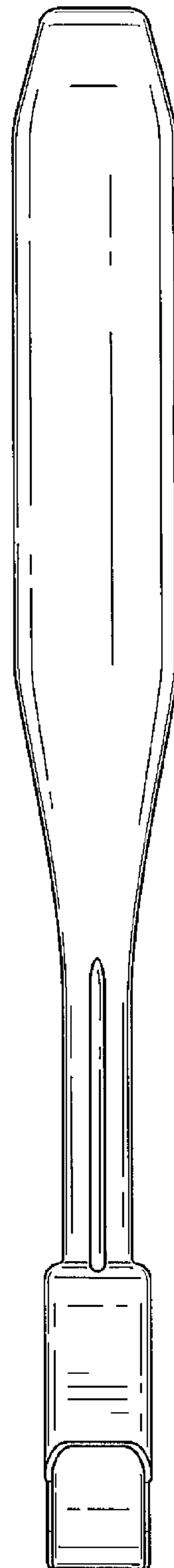


FIG. 5

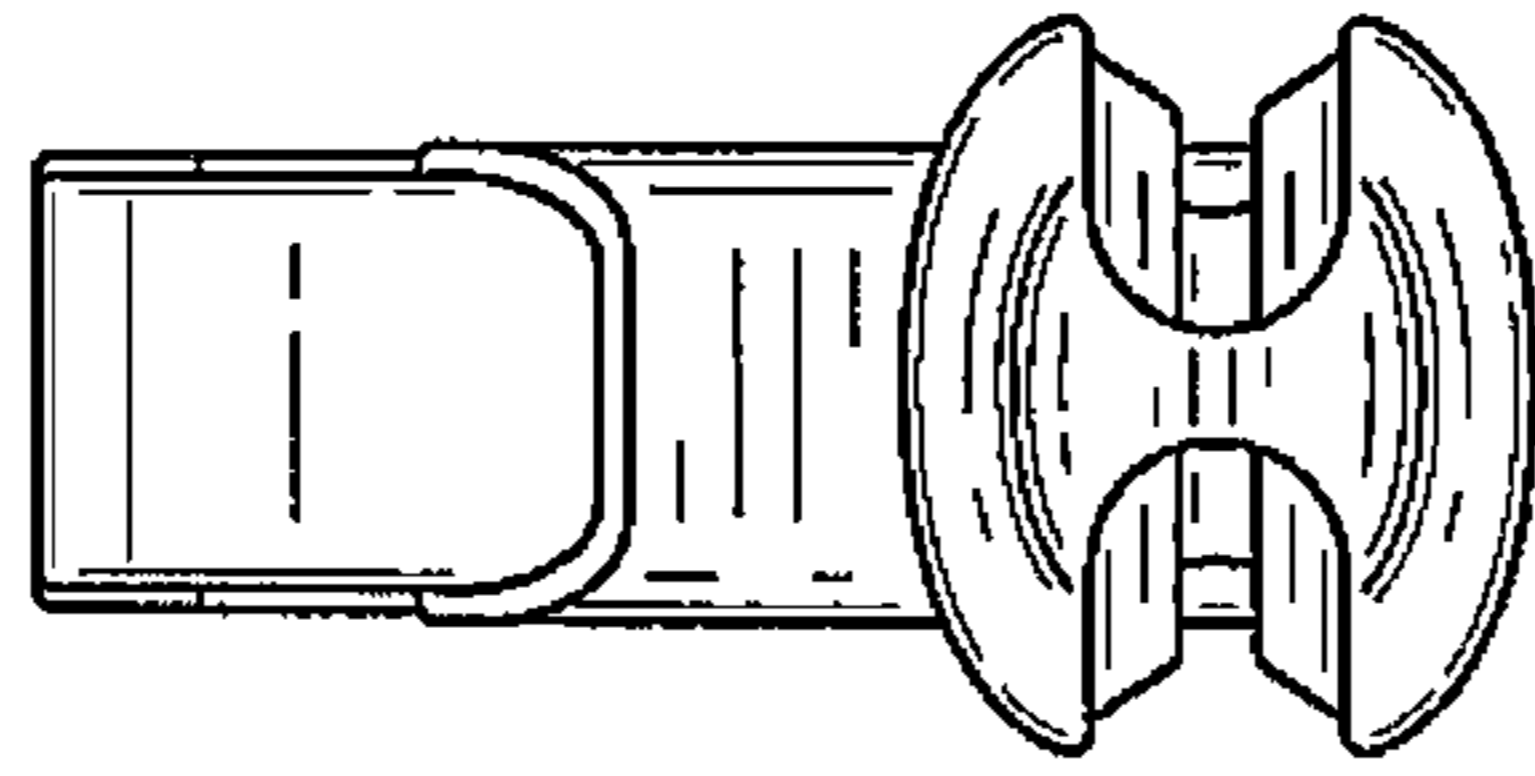


FIG. 7

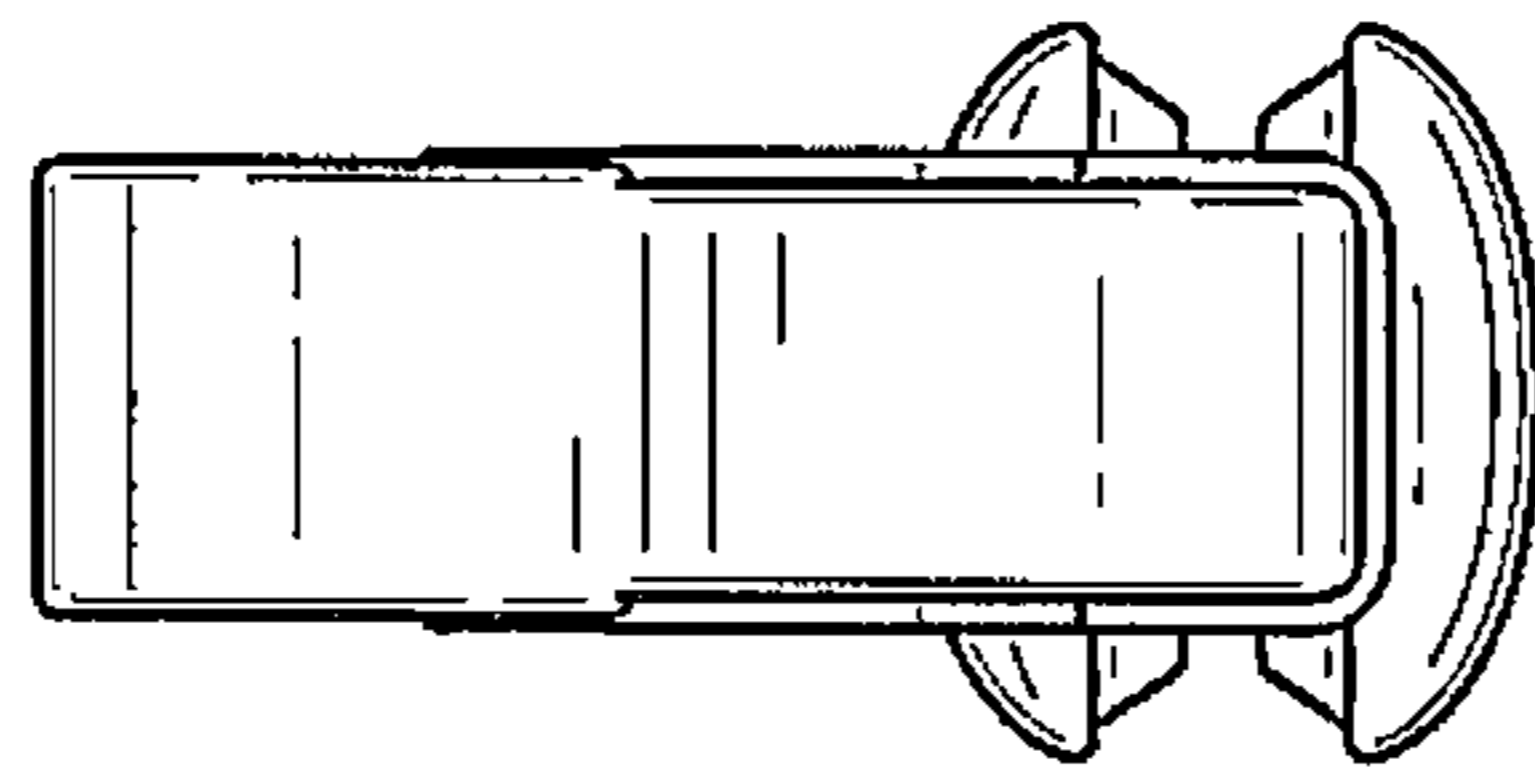


FIG. 6