



US00D723157S

(12) **United States Design Patent**
Clemente et al.

(10) **Patent No.:** **US D723,157 S**
(45) **Date of Patent:** **** Feb. 24, 2015**

- (54) **DRUG DELIVERY PUMP**
- (71) Applicant: **Unitract Syringe Pty Ltd**, Sydney (AU)
- (72) Inventors: **Matthew J. Clemente**, Downingtown, PA (US); **Ian B. Hanson**, Wayne, PA (US); **Paul F. Bente, IV**, Wayne, PA (US); **Ryan M. Agard**, Royersford, PA (US); **Nicholas J. Ciccarelli**, Philadelphia, PA (US); **Kun-Chi Wu**, Princeton, NJ (US)

4,755,173 A 7/1988 Konopka et al.
 4,840,620 A 6/1989 Kobayashi et al.
 5,167,816 A 12/1992 Kruger et al.

(Continued)

FOREIGN PATENT DOCUMENTS

EP 1702635 A2 9/2006
 EP 1341569 B1 1/2007

(Continued)

OTHER PUBLICATIONS

- (73) Assignee: **Unitract Syringe Pty Ltd**, Sydney (AU)
- (**) Term: **14 Years**
- (21) Appl. No.: **29/455,724**
- (22) Filed: **May 23, 2013**

European Patent Office, Communication Relating to the Results of the Partial International Search in International Application No. PCT/US2012/053241, 2 pages (Nov. 30, 2012).

(Continued)

Primary Examiner — Ian Simmons
Assistant Examiner — Richelle G Shelton
 (74) *Attorney, Agent, or Firm* — Leydig, Voit & Mayer, Ltd.

(57) **CLAIM**
 An ornamental design for a drug delivery pump, as shown and described.

DESCRIPTION

FIG. 1 is a top, left side isometric view of a drug delivery pump;
 FIG. 2 is a bottom, right side isometric view thereof;
 FIG. 3 is a top, right side isometric view thereof;
 FIG. 4 is an end elevation thereof;
 FIG. 5 is opposite end elevation view thereof;
 FIG. 6 is a right side elevation view thereof;
 FIG. 7 is a left side elevation view thereof;
 FIG. 8 is a bottom view thereof; and,
 FIG. 9 is a top plan view thereof.
 The broken line showing of portions of the article is included for the purpose of illustrating subject matter excluded from the claim with the line itself and the unshaded surfaces within forming no part of the claimed design.

1 Claim, 5 Drawing Sheets

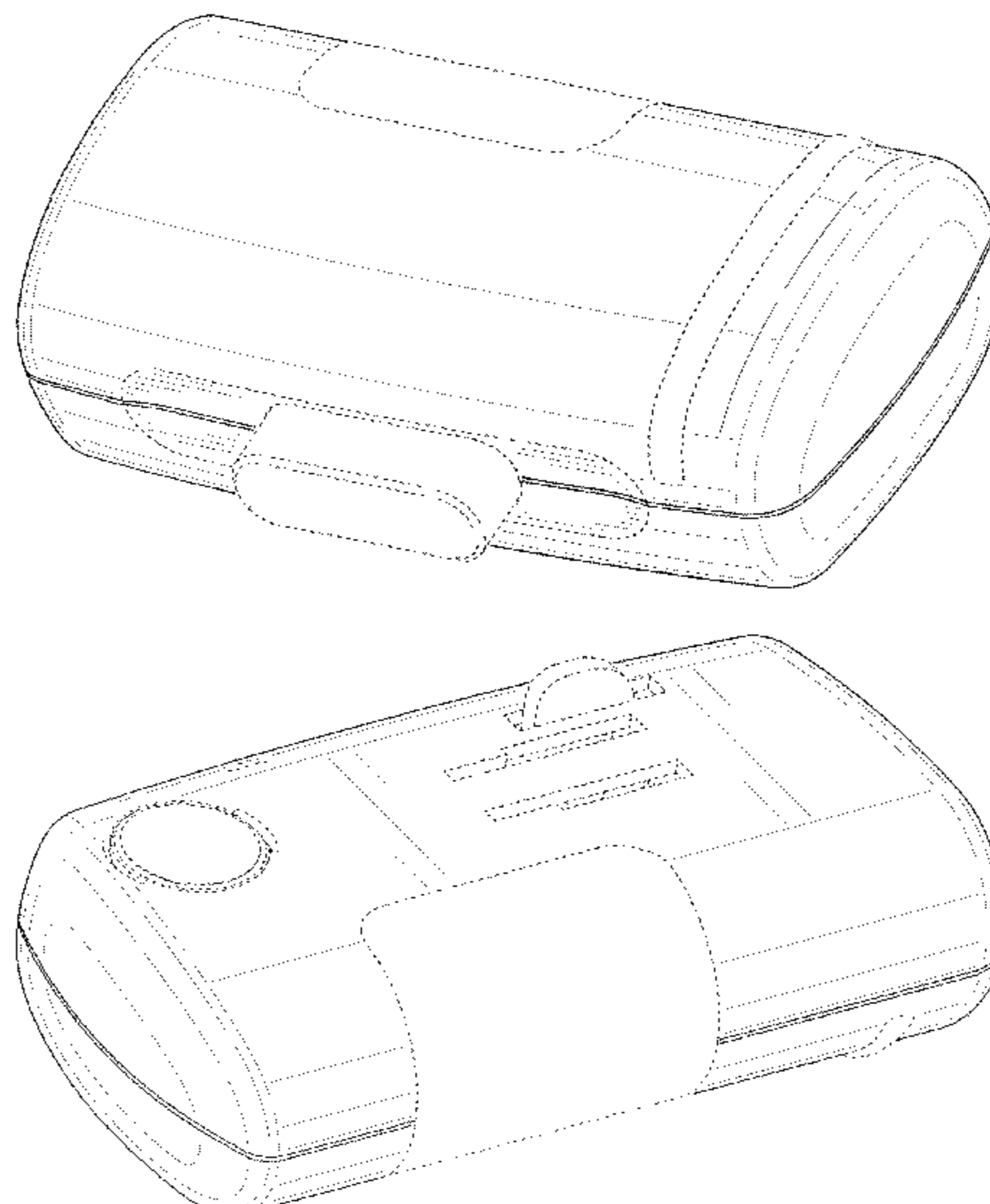
Related U.S. Application Data

- (63) Continuation of application No. 13/796,158, filed on Mar. 12, 2013.
- (51) **LOC (10) CI.** **24-02**
- (52) **U.S. CI.**
USPC **D24/111**
- (58) **Field of Classification Search**
CPC A61M 1/00; A61M 5/145
USPC D24/107, 108, 111; D15/7-9;
128/204.21; 210/416.2; 604/151, 152,
604/200, 403, 411, 892.1
See application file for complete search history.

(56) **References Cited**

U.S. PATENT DOCUMENTS

4,004,586 A 1/1977 Christensen et al.
 4,673,400 A 6/1987 Martin
 4,685,903 A 8/1987 Cable et al.



(56)

References Cited

U.S. PATENT DOCUMENTS

5,795,339	A	8/1998	Erskine	
5,858,001	A	1/1999	Tsals et al.	
6,248,093	B1	6/2001	Moberg	
6,699,218	B2	3/2004	Flaherty et al.	
7,063,684	B2	6/2006	Moberg	
D564,087	S *	3/2008	Yodfat et al.	D24/108
D585,543	S *	1/2009	Yodfat et al.	D24/111
7,479,135	B2	1/2009	Richter et al.	
7,611,503	B2	11/2009	Spohn et al.	
7,803,134	B2	9/2010	Sharifi et al.	
7,846,132	B2	12/2010	Gravesen et al.	
7,905,859	B2	3/2011	Bynum et al.	
7,927,306	B2 *	4/2011	Cross et al.	604/151
7,967,795	B1	6/2011	Cabiri	
8,029,472	B2	10/2011	Leinsing et al.	
8,048,031	B2	11/2011	Shaw et al.	
8,157,769	B2	4/2012	Cabiri	
8,167,844	B2	5/2012	Dillard, III	
8,187,232	B2	5/2012	Chong et al.	
D669,165	S *	10/2012	Estes et al.	D24/111
2004/0092878	A1	5/2004	Flaherty	
2007/0010789	A1	1/2007	Peter et al.	
2008/0132842	A1	6/2008	Flaherty	
2008/0269687	A1	10/2008	Chong et al.	
2009/0124979	A1	5/2009	Raymond et al.	
2009/0204077	A1	8/2009	Hasted et al.	
2009/0240240	A1 *	9/2009	Hines et al.	604/890.1
2011/0098652	A1	4/2011	Hasted et al.	
2011/0166509	A1	7/2011	Gross et al.	
2012/0035546	A1	2/2012	Cabiri	
2012/0123354	A1	5/2012	Woehr	
2013/0060196	A1 *	3/2013	O'Connor et al.	604/152

FOREIGN PATENT DOCUMENTS

EP	1427471	A1	2/2008
EP	1695727	B1	7/2008
EP	1513580	B1	3/2009
EP	2077128	A1	7/2009

EP	2379134	A1	10/2011
EP	2429612	A1	3/2012
EP	2433663	A1	3/2012
WO	WO 99/48546	A1	9/1999
WO	WO 03/024504	A2	3/2003
WO	WO 03/103763	A1	12/2003
WO	WO 2004/062714	A1	7/2004
WO	WO 2005/037350	A2	4/2005
WO	WO 2008/024808	A2	2/2008
WO	WO 2010/029054	A1	3/2010
WO	WO 2010/077807	A1	7/2010
WO	WO 2010/084113	A1	7/2010
WO	WO 2010/112377	A1	10/2010
WO	WO 2010/132196	A1	11/2010
WO	WO 2011/006652	A1	1/2011
WO	WO 2011/090956	A2	7/2011
WO	WO 2011/121023	A1	10/2011
WO	WO 2012/032411	A2	3/2012
WO	WO 2012/131044	A1	10/2012

OTHER PUBLICATIONS

European Patent Office, International Search Report in International Application No. PCT/US2012/053174, 4 pages (Mar. 28, 2013).

European Patent Office, International Search Report in International Application No. PCT/US2012/053241, 6 pages (Feb. 28, 2013).

European Patent Office, International Search Report in International Patent Application No. PCT/US2012/054861, 8 pages, (Feb. 18, 2013).

European Patent Office, Written Opinion of the International Searching Authority in International Application No. PCT/US2012/053174, 6 pages (Mar. 28, 2013).

European Patent Office, Written Opinion of the International Searching Authority in International Application No. PCT/US2012/053241, 8 pages (Feb. 28, 2013).

Preliminary Amendment and Application Data Sheet Filed in National Phase of WO 2011/090956 A2 (U.S. Appl. No. 13/521,181) (Jul. 9, 2012).

European Patent Office, International Search Report and Written Opinion in International Patent Application No. PCT/US2013/030478, mailed Nov. 18, 2013, 11 pages.

* cited by examiner

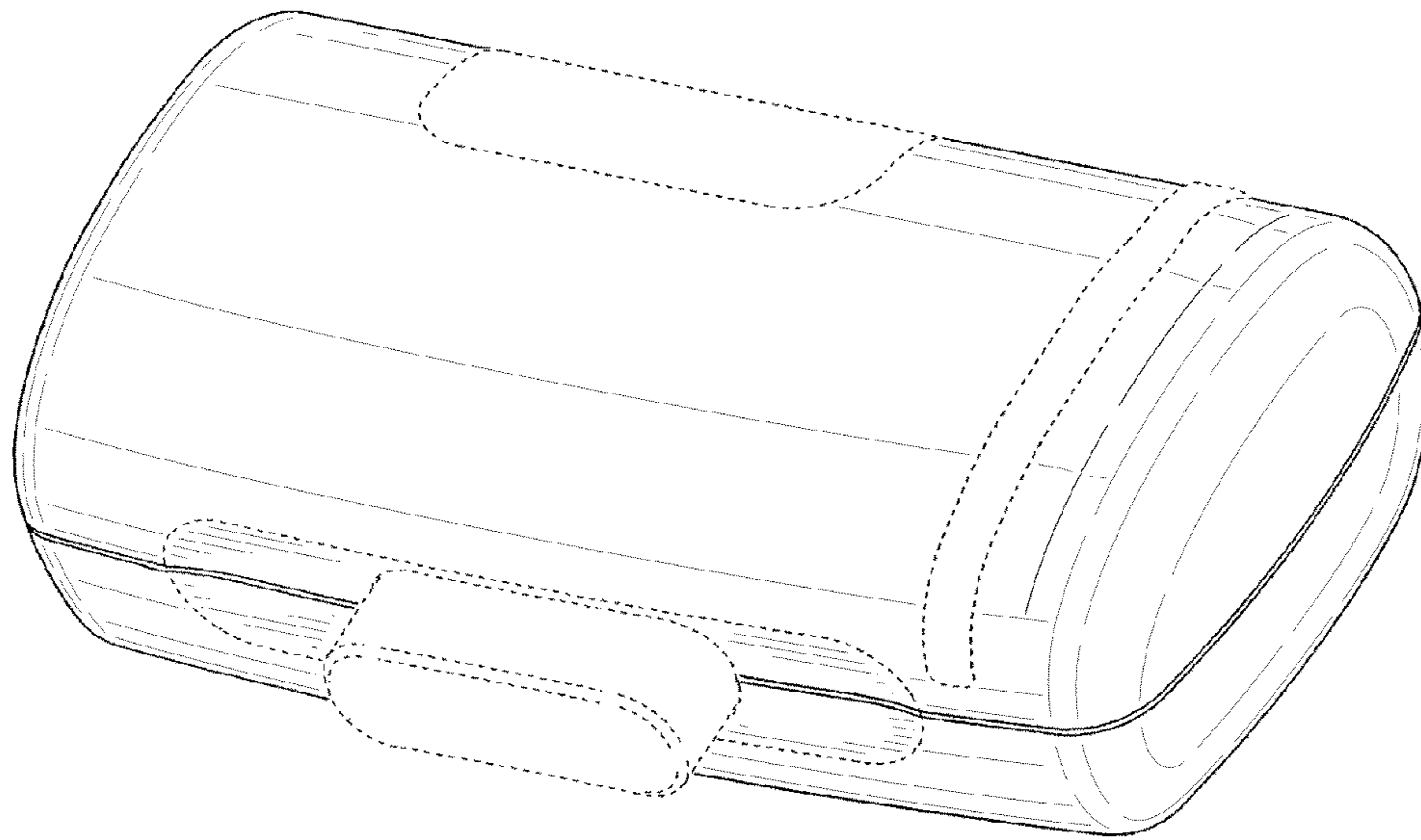


FIG. 1

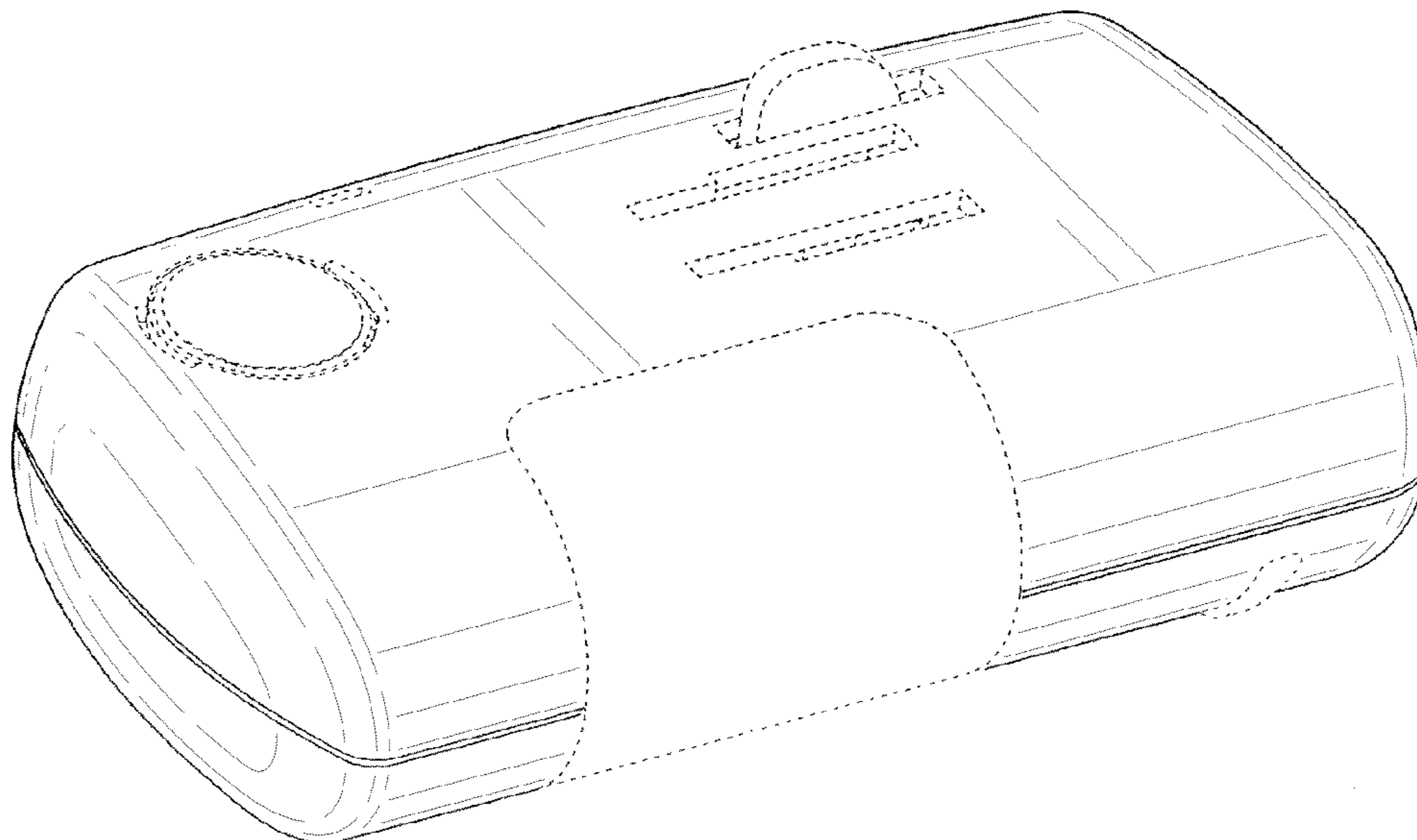


FIG. 2

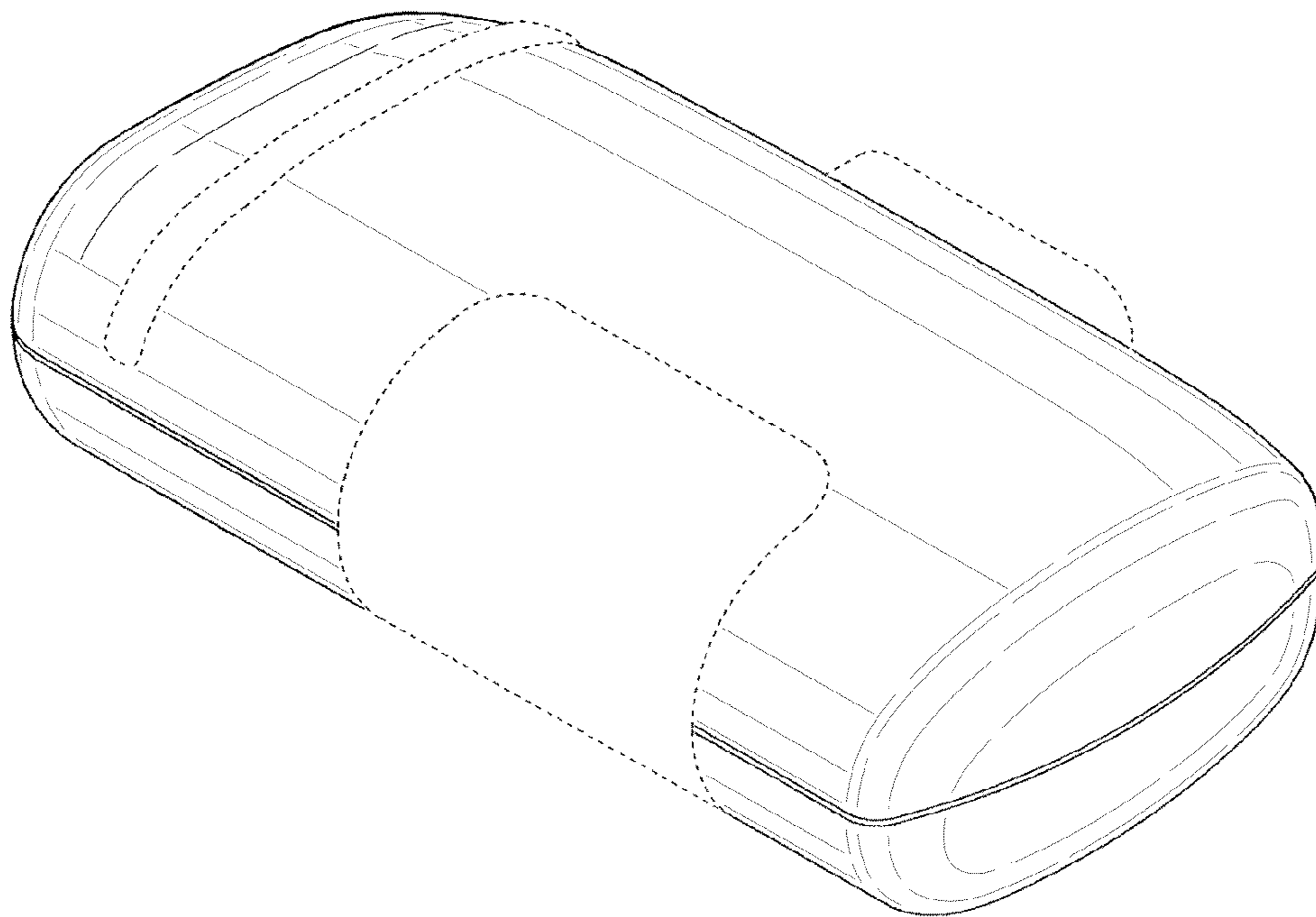


FIG. 3

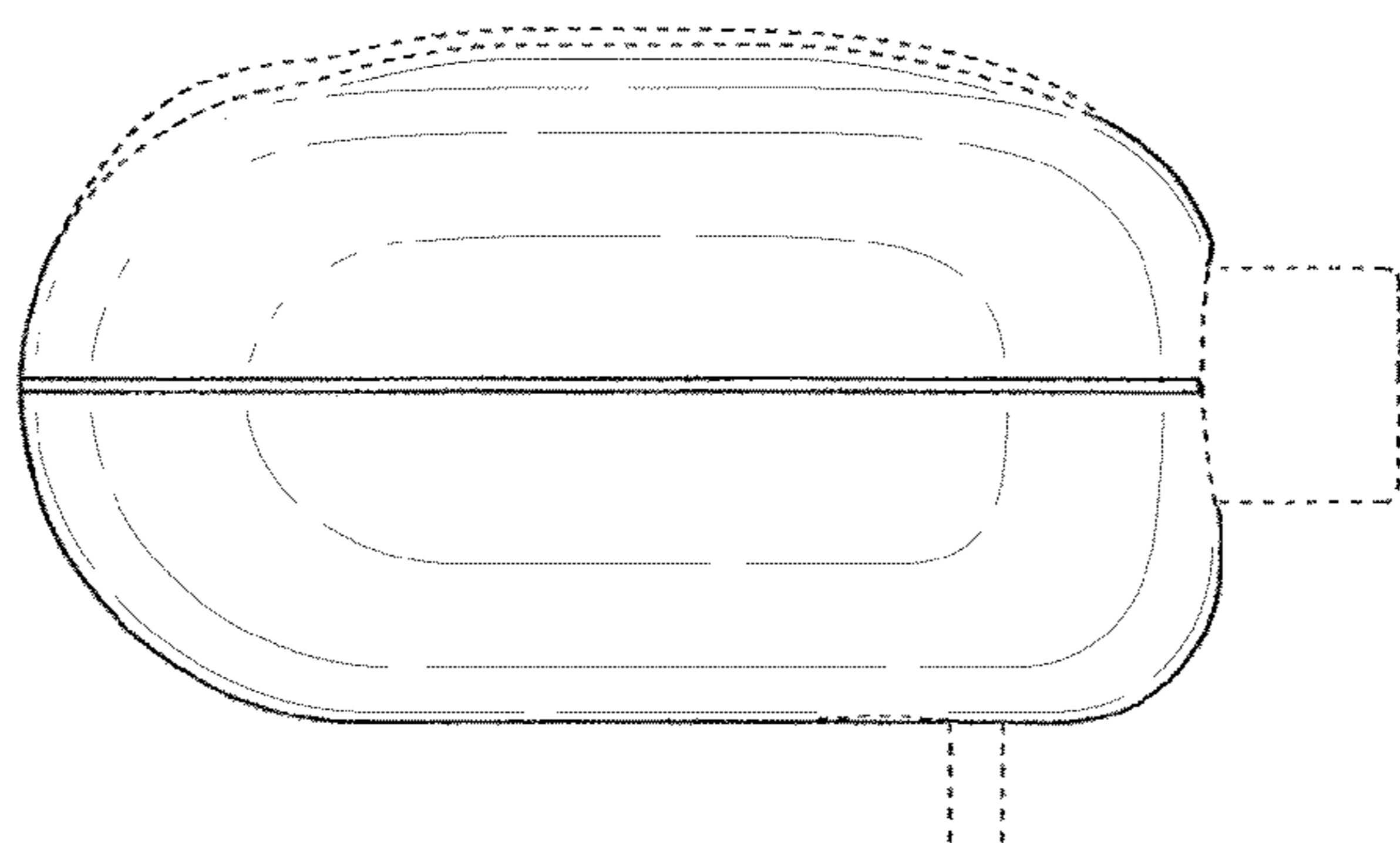


FIG. 4

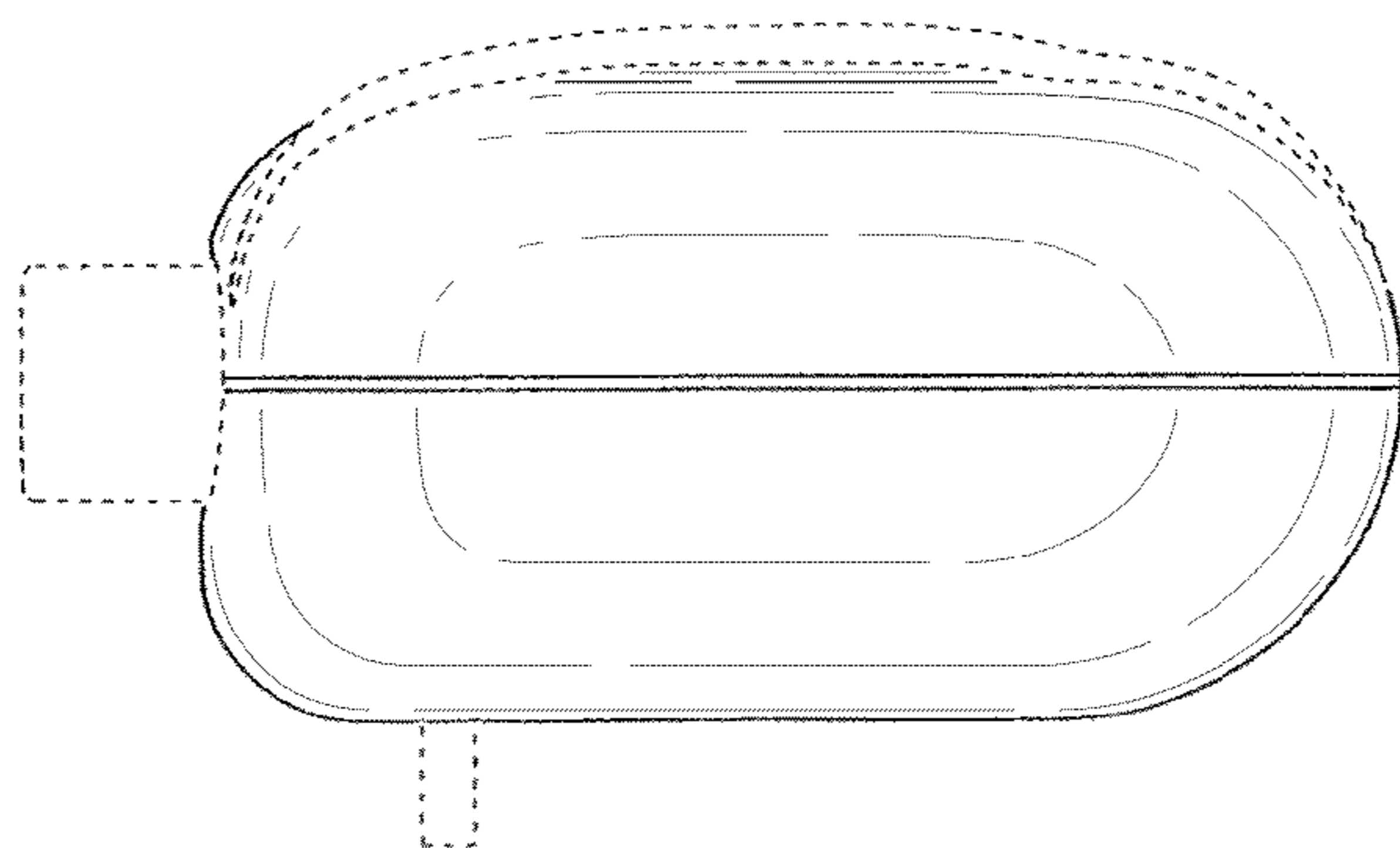


FIG. 5

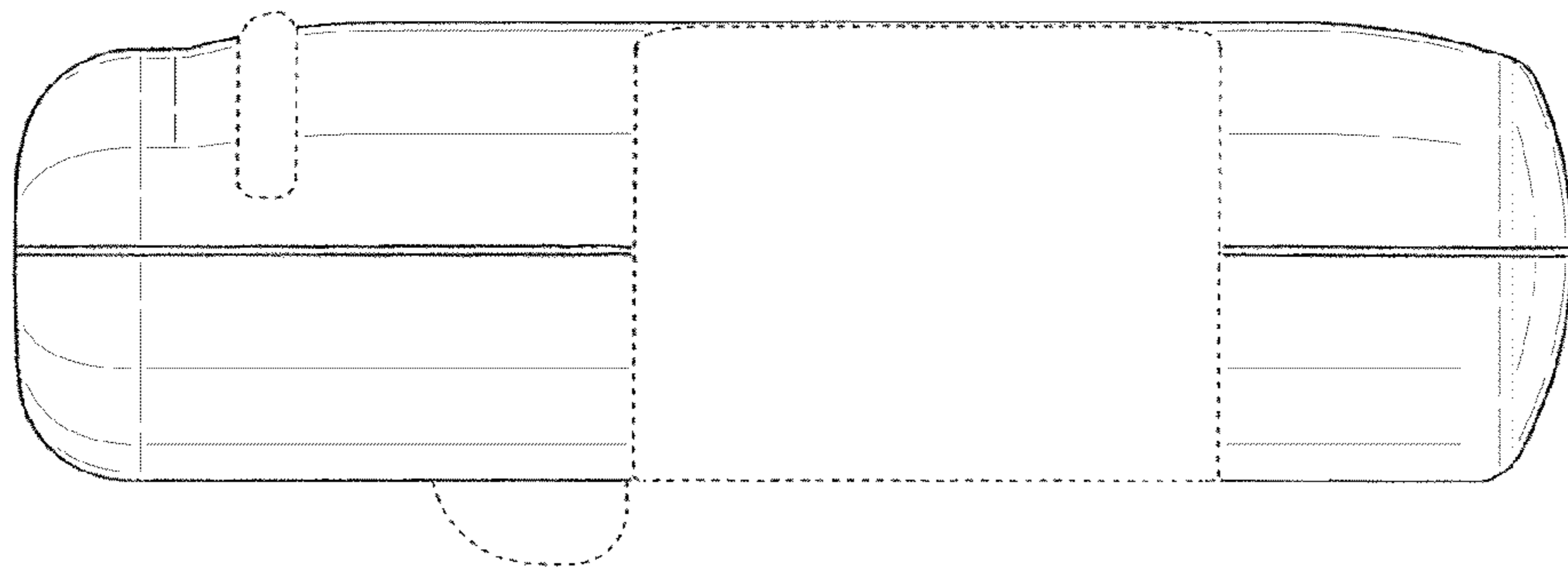


FIG. 6

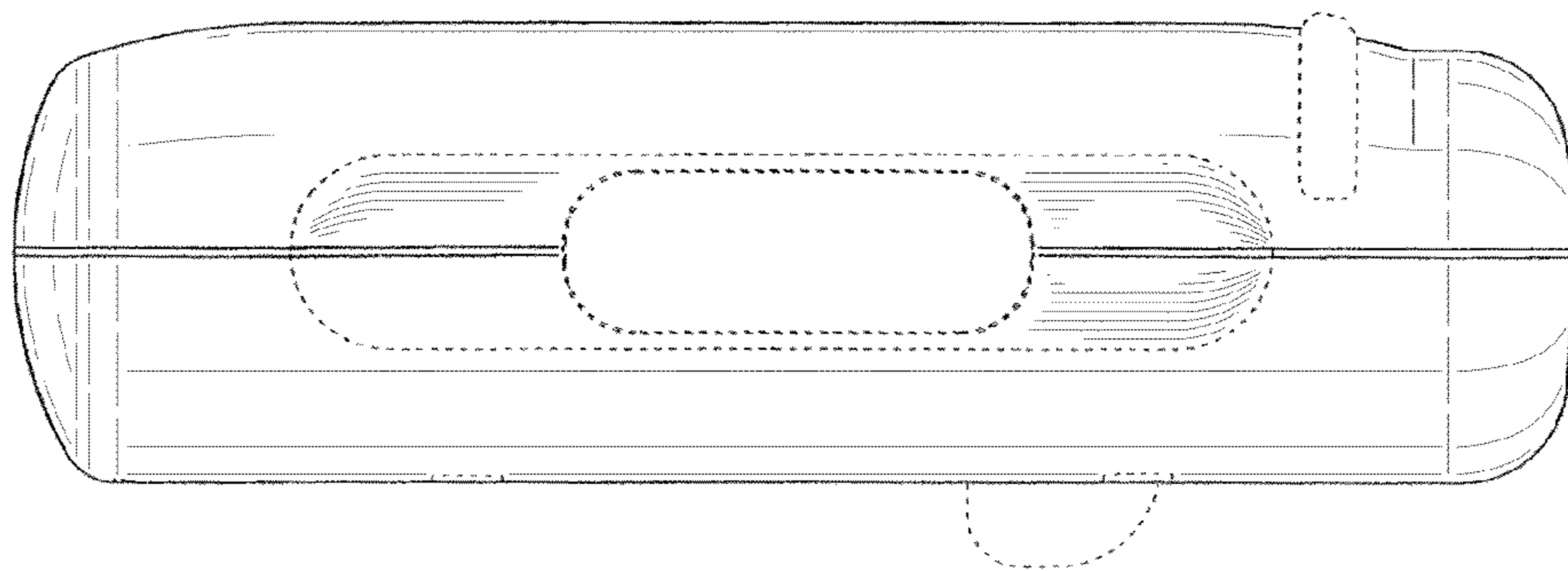


FIG. 7

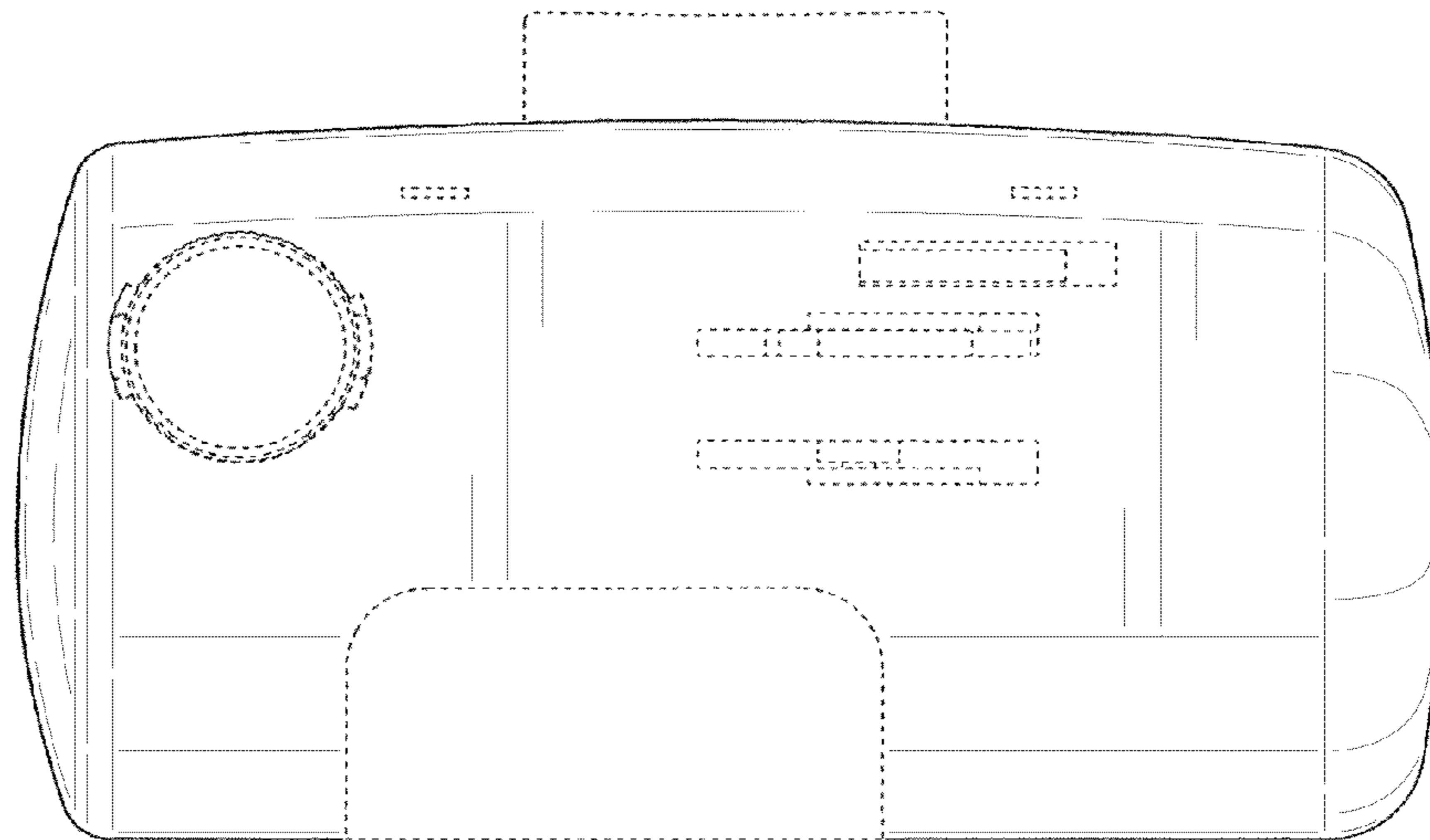


FIG. 8

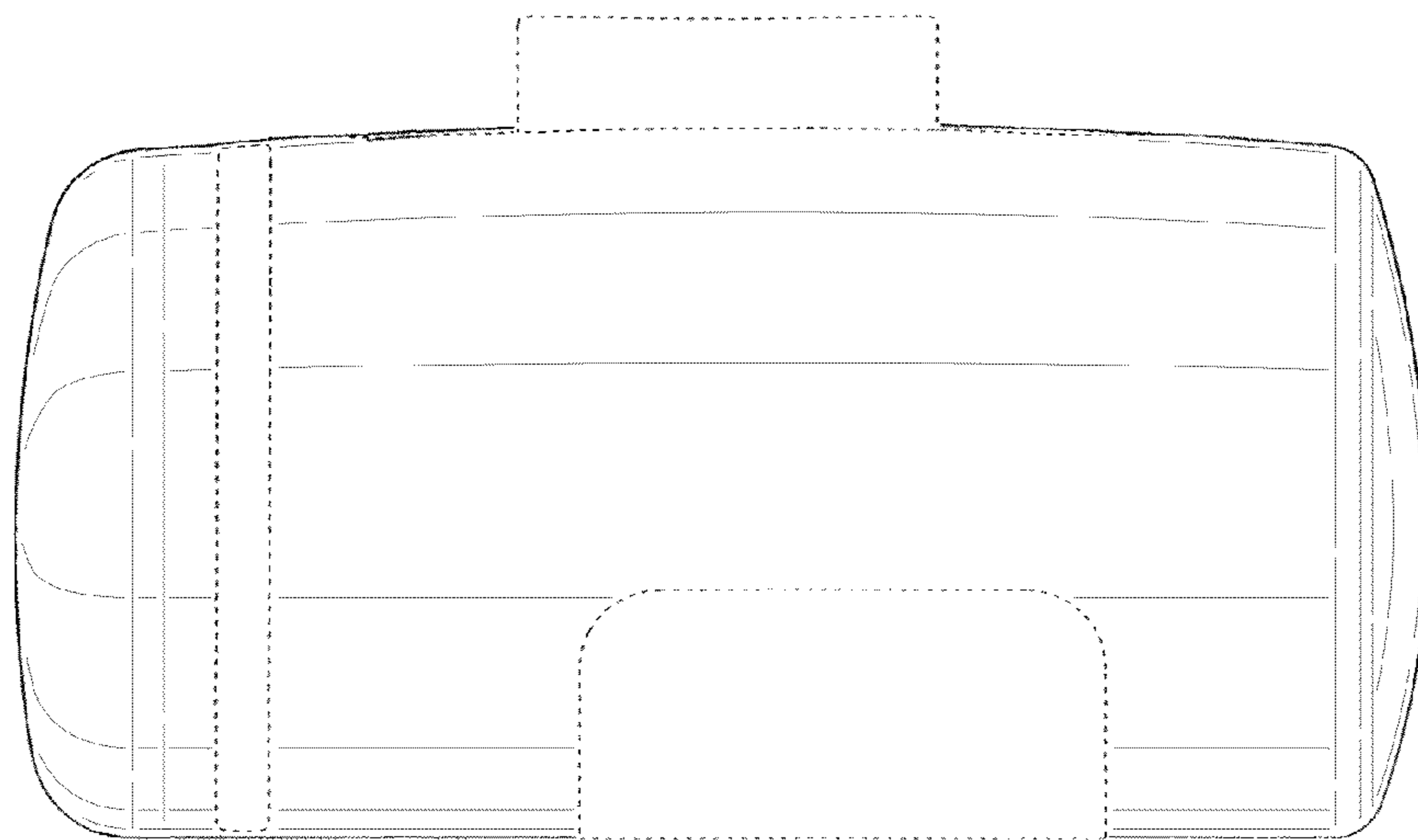


FIG. 9