



US00D723154S

(12) **United States Design Patent**
Cheng

(10) **Patent No.:** **US D723,154 S**

(45) **Date of Patent:** **** Feb. 24, 2015**

(54) **LOUVER FOR A FAN**

(71) Applicant: **Chung-Yin Cheng**, Changhua County (TW)

(72) Inventor: **Chung-Yin Cheng**, Changhua County (TW)

(**) Term: **14 Years**

(21) Appl. No.: **29/476,464**

(22) Filed: **Dec. 13, 2013**

(51) **LOC (10) Cl.** **23-04**

(52) **U.S. Cl.**
USPC **D23/412**

(58) **Field of Classification Search**
USPC D23/411-414, 370-394, 499; 362/96;
416/5, 214 R, 244 R, 247 R, 246;
417/423.1, 360; 392/361-364; 415/61,
415/200, 215.1

See application file for complete search history.

(56) **References Cited**

U.S. PATENT DOCUMENTS

D179,906 S *	3/1957	Koegel	D23/390
2,824,429 A *	2/1958	Zucker	62/427
3,011,422 A *	12/1961	Scallon	454/280
D254,566 S *	3/1980	Cummins	D23/370
4,365,930 A *	12/1982	Ogura et al.	415/61
D271,133 S *	10/1983	Pataki	D23/370
D273,416 S *	4/1984	Scotto	D23/377
4,457,672 A *	7/1984	Ogura et al.	417/360
D281,276 S *	11/1985	Farrer	D23/370
D349,570 S *	8/1994	Radtke, Jr.	D23/382

D452,305 S *	12/2001	Webb	D23/393
D464,420 S *	10/2002	Tolar	D23/382
D468,008 S *	12/2002	Fraser et al.	D23/390
D483,473 S *	12/2003	Shapiro	D23/412
D508,122 S *	8/2005	Murphy	D23/387
D586,456 S *	2/2009	Guthrie	D23/412
D600,338 S *	9/2009	Chung	D23/370
2008/0025847 A1 *	1/2008	Teipen	416/244 R
2013/0052000 A1 *	2/2013	Su	415/200
2013/0302153 A1 *	11/2013	Liu	415/200

* cited by examiner

Primary Examiner — Susan Bennett Hattan

Assistant Examiner — Marie Fast Horse

(74) *Attorney, Agent, or Firm* — SmithAmundsen LLC;
Kelly J. Smith; Dennis S. Schell

(57) **CLAIM**

The ornamental design for louver for a fan, as shown and described.

DESCRIPTION

FIG. 1 is a perspective view of louver for a fan showing my new design;

FIG. 2 is a front elevational view thereof;

FIG. 3 is a rear elevational view thereof;

FIG. 4 is a left side elevational view thereof;

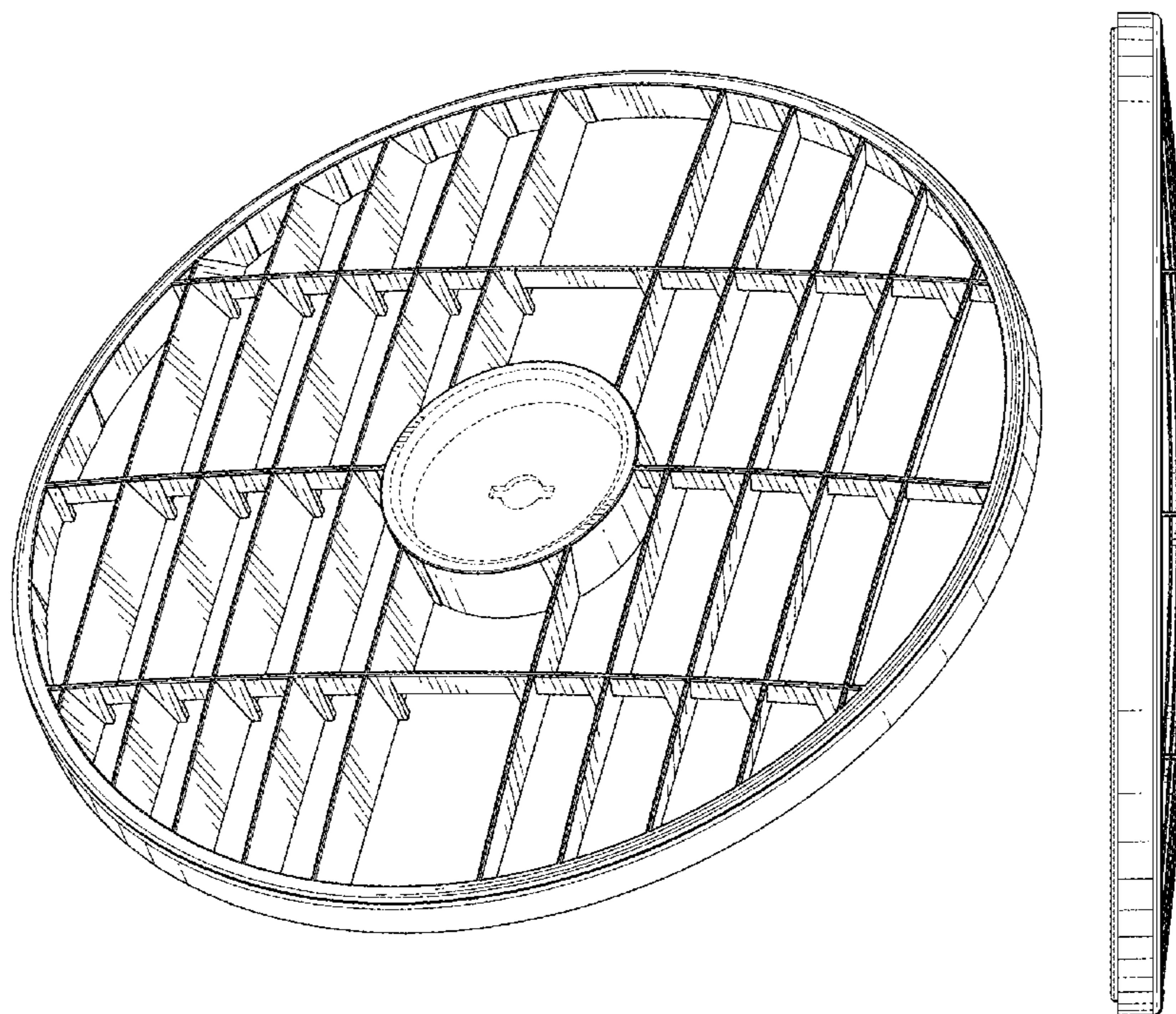
FIG. 5 is a right side elevational view thereof;

FIG. 6 is a top plan view thereof; and,

FIG. 7 is a bottom plan view thereof.

The portions of the louver for a fan shown in dashed line do not form part of the design.

1 Claim, 6 Drawing Sheets



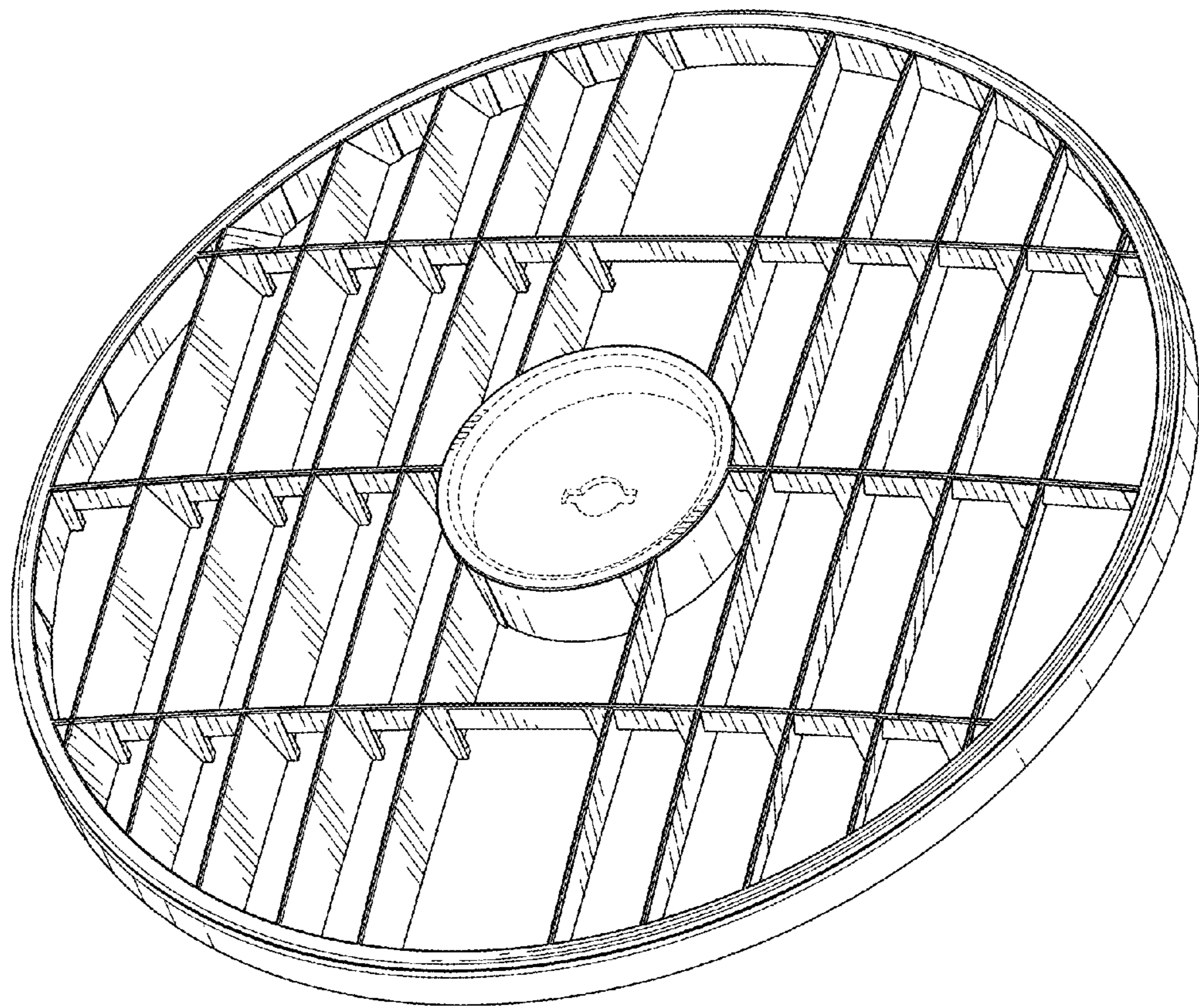


FIG.1

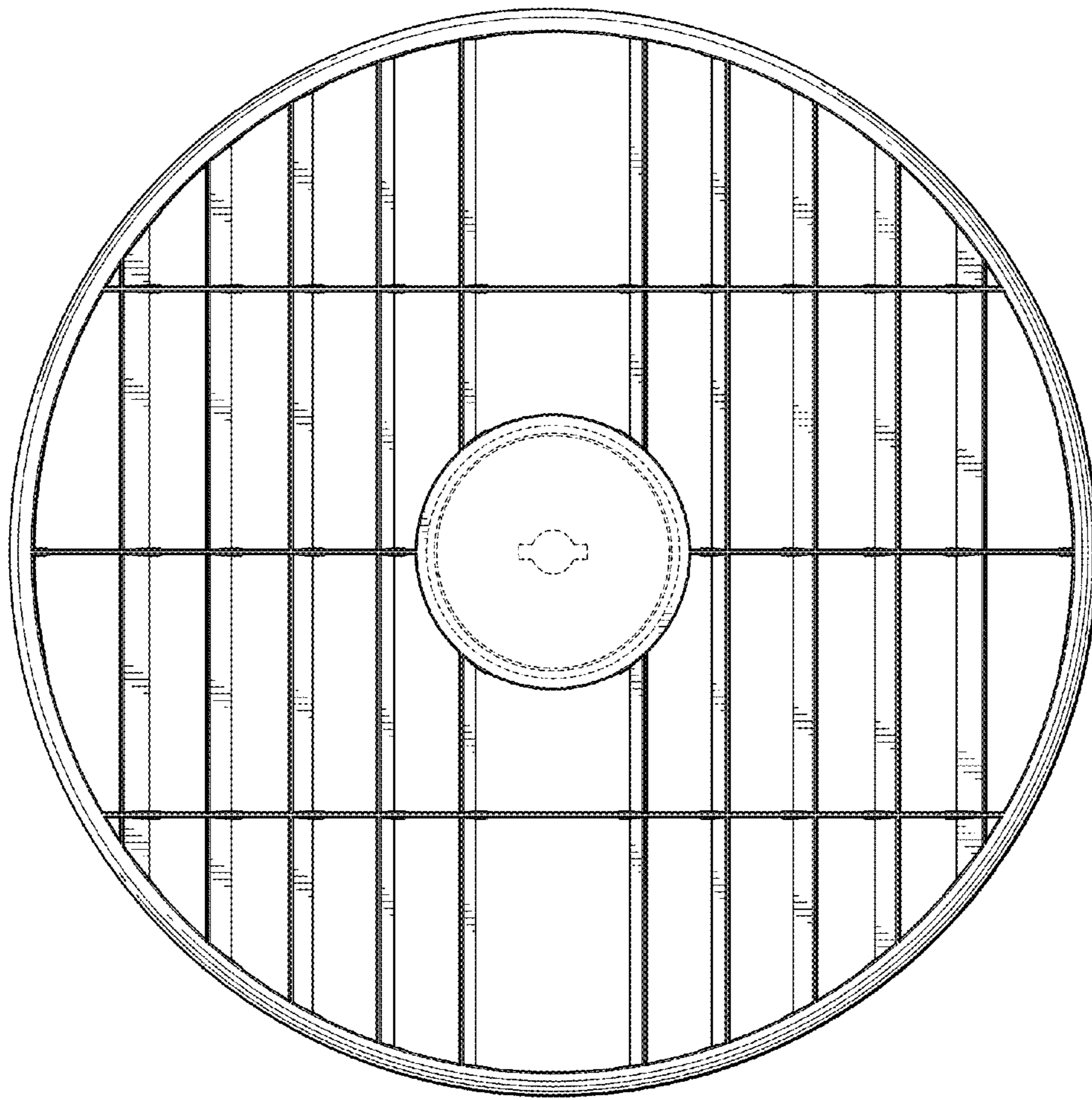


FIG.2

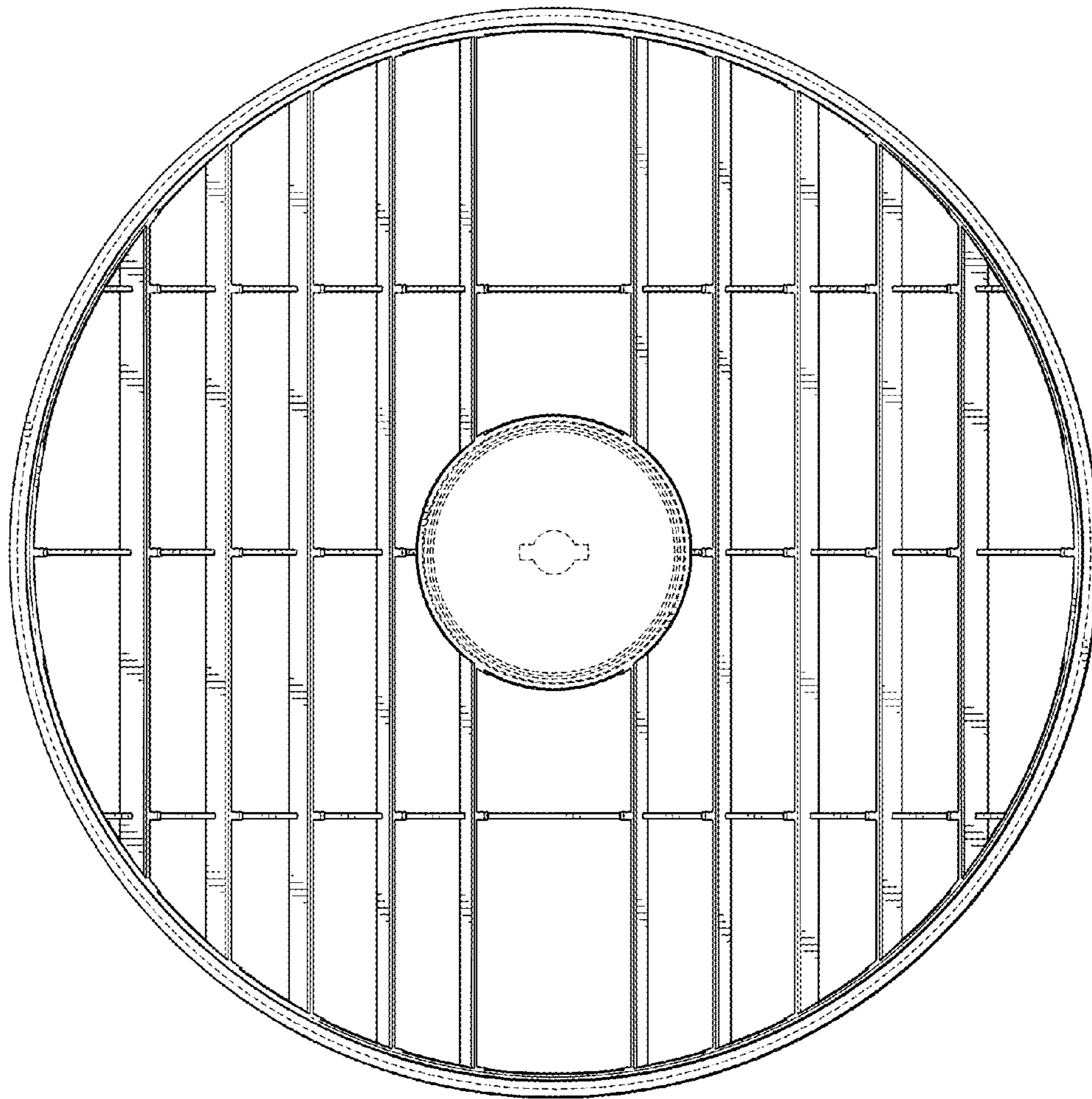


FIG.3

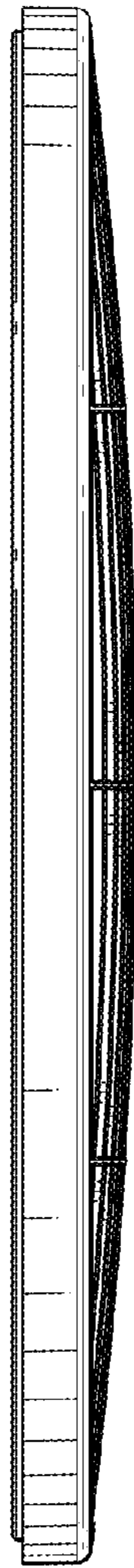


FIG.4

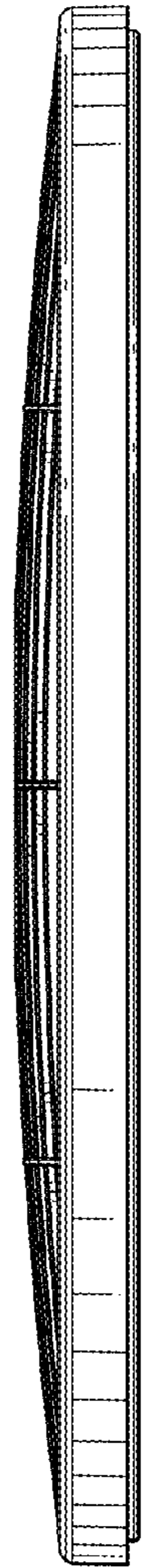


FIG.5

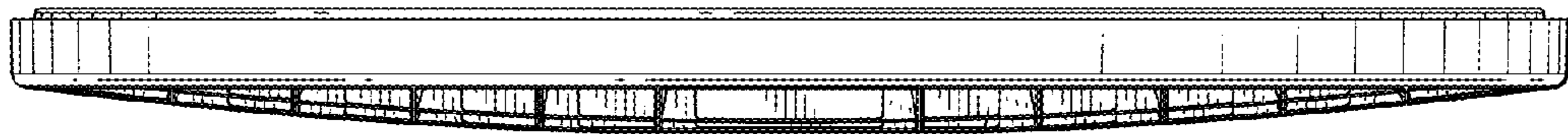


FIG. 6

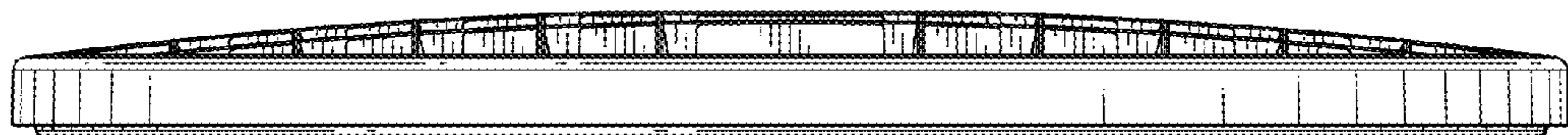


FIG. 7