

US00D723153S

(12) **United States Design Patent**  
**Borkholder**

(10) **Patent No.:** **US D723,153 S**

(45) **Date of Patent:** **\*\* Feb. 24, 2015**

- (54) **RECESS CEILING FAN BEZEL**
- (71) Applicant: **Olen Borkholder**, Milford, IN (US)
- (72) Inventor: **Olen Borkholder**, Milford, IN (US)
- (\*\*) Term: **14 Years**
- (21) Appl. No.: **29/448,101**
- (22) Filed: **Mar. 8, 2013**
- (51) **LOC (10) Cl.** ..... **23-04**
- (52) **U.S. Cl.**  
USPC ..... **D23/411; D26/74**
- (58) **Field of Classification Search**  
USPC ..... D23/411-414, 259-261, 324, 331, 343,  
D23/370-387, 390, 499; D26/24, 74, 118,  
D26/152; 392/361, 364; 416/5, 170 R, 214 R,  
416/184, 206, 207, 210 R, 220 R, 244 R,  
416/248; 362/96, 147, 364, 366; 220/3.8;  
D2/866, 886

See application file for complete search history.

(56) **References Cited**

**U.S. PATENT DOCUMENTS**

343,933	A *	6/1886	Walker	.....	220/484
D29,884	S *	12/1898	Kahn	.....	D23/386
D31,845	S *	11/1899	Townsend	.....	D2/886
854,045	A *	5/1907	La Paugh	.....	220/3.8
1,384,155	A *	7/1921	Roscoe	.....	416/214 R
3,613,044	A *	10/1971	Rarick	.....	439/528
3,778,609	A *	12/1973	Liberman	.....	362/364
4,054,222	A *	10/1977	Suk	.....	220/3.8
4,733,339	A *	3/1988	Kelsall	.....	362/366
D295,678	S *	5/1988	McVey	.....	D23/377
5,452,816	A *	9/1995	Chan et al.	.....	220/3.8
D370,550	S *	6/1996	Lecluze	.....	D26/118
D383,564	S *	9/1997	Lecluze	.....	D26/118
D393,709	S *	4/1998	Nishizawa	.....	D23/390
D399,590	S *	10/1998	Lecluze	.....	D26/118
D417,027	S *	11/1999	Cece	.....	D26/74
6,168,285	B1 *	1/2001	Flohre	.....	362/96
D447,553	S *	9/2001	Parker et al.	.....	D23/386

6,554,458	B1 *	4/2003	Benghozi	.....	362/365
6,945,868	B2 *	9/2005	Gautney	.....	454/338
7,064,268	B2 *	6/2006	Dinh	.....	174/485
D540,404	S *	4/2007	Isom	.....	D21/655
D605,206	S *	12/2009	Yabe et al.	.....	D15/28
D607,555	S *	1/2010	Nishizawa	.....	D23/393
D625,404	S *	10/2010	Yu	.....	D23/386
D632,780	S *	2/2011	Pan	.....	D23/411
D639,924	S *	6/2011	Winkler	.....	D23/370
D665,902	S *	8/2012	Esjunin et al.	.....	D23/499
D691,314	S *	10/2013	Rashidi	.....	D26/74
D694,862	S *	12/2013	Patterson	.....	D23/260
D700,737	S *	3/2014	Campagna	.....	D26/142
2005/0201082	A1 *	9/2005	Mauk et al.	.....	362/147
2005/0225966	A1 *	10/2005	Hartmann et al.	.....	362/147
2006/0285310	A1 *	12/2006	Shyu	.....	362/96
2007/0035951	A1 *	2/2007	Tseng	.....	362/294
2007/0166167	A1 *	7/2007	Fan	.....	416/244 R
2007/0177389	A1 *	8/2007	Pickard et al.	.....	362/364

(Continued)

*Primary Examiner* — Susan Bennett Hattan

*Assistant Examiner* — Marie Fast Horse

(74) *Attorney, Agent, or Firm* — QuickPatents; Kevin Prince

(57) **CLAIM**

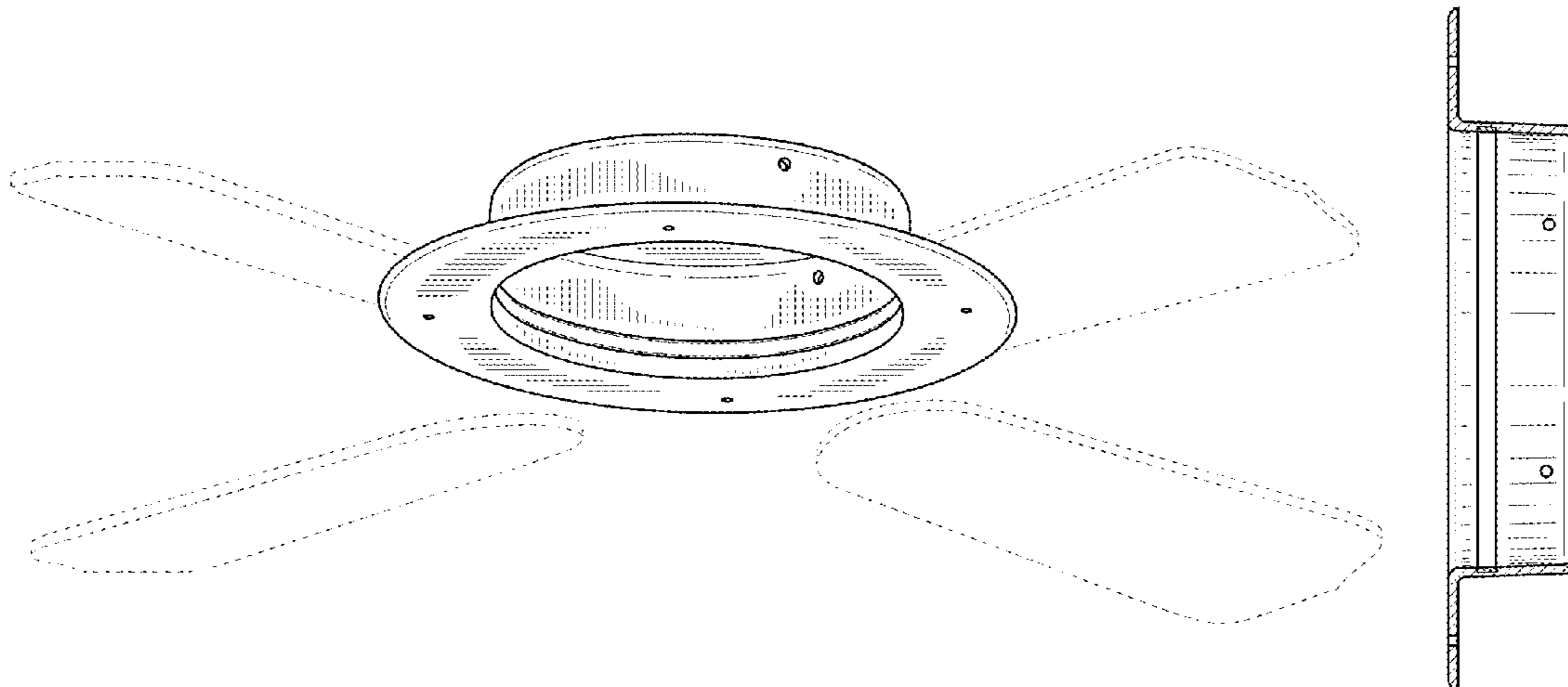
I claim the ornamental design for a recess ceiling fan bezel, as shown and described.

**DESCRIPTION**

FIG. 1 is a bottom perspective view of a recess ceiling fan bezel, showing my new design;  
 FIG. 2 is a bottom plan view thereof;  
 FIG. 3 is a top plan view thereof;  
 FIG. 4 is a right-side elevational view thereof;  
 FIG. 5 is a left-side elevational view thereof;  
 FIG. 6 is a front elevational view thereof;  
 FIG. 7 is a rear elevational view thereof; and,  
 FIG. 8 is a cross-sectional view thereof, taken along line 8-8 of FIG. 2.

The broken lines showing fan blades in FIG. 1 depict environmental matter and form no part of the claimed design.

**1 Claim, 3 Drawing Sheets**



(56)

**References Cited**

U.S. PATENT DOCUMENTS

2008/0025847	A1*	1/2008	Teipen .....	416/244 R	2011/0075432	A1*	3/2011	Chou et al. ....	362/373
2010/0112929	A1*	5/2010	Iantorno .....	454/275	2011/0085340	A1*	4/2011	Chou et al. ....	362/294
2011/0044814	A1*	2/2011	Tian et al. ....	416/5	2011/0164400	A1*	7/2011	Kownacki et al. ....	362/96
2011/0069501	A1*	3/2011	Chou et al. ....	362/373	2013/0056142	A1*	3/2013	Fiore et al. ....	156/249
					2013/0315731	A1*	11/2013	Yang et al. ....	416/5

\* cited by examiner

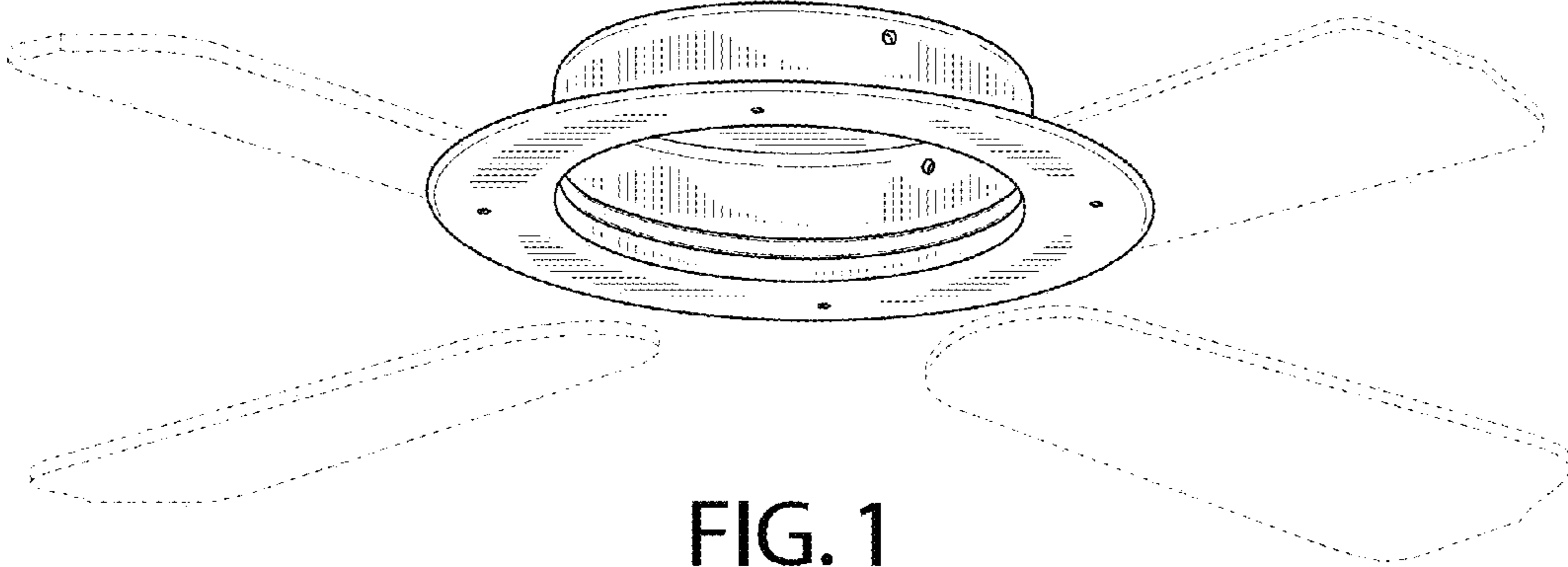


FIG. 1

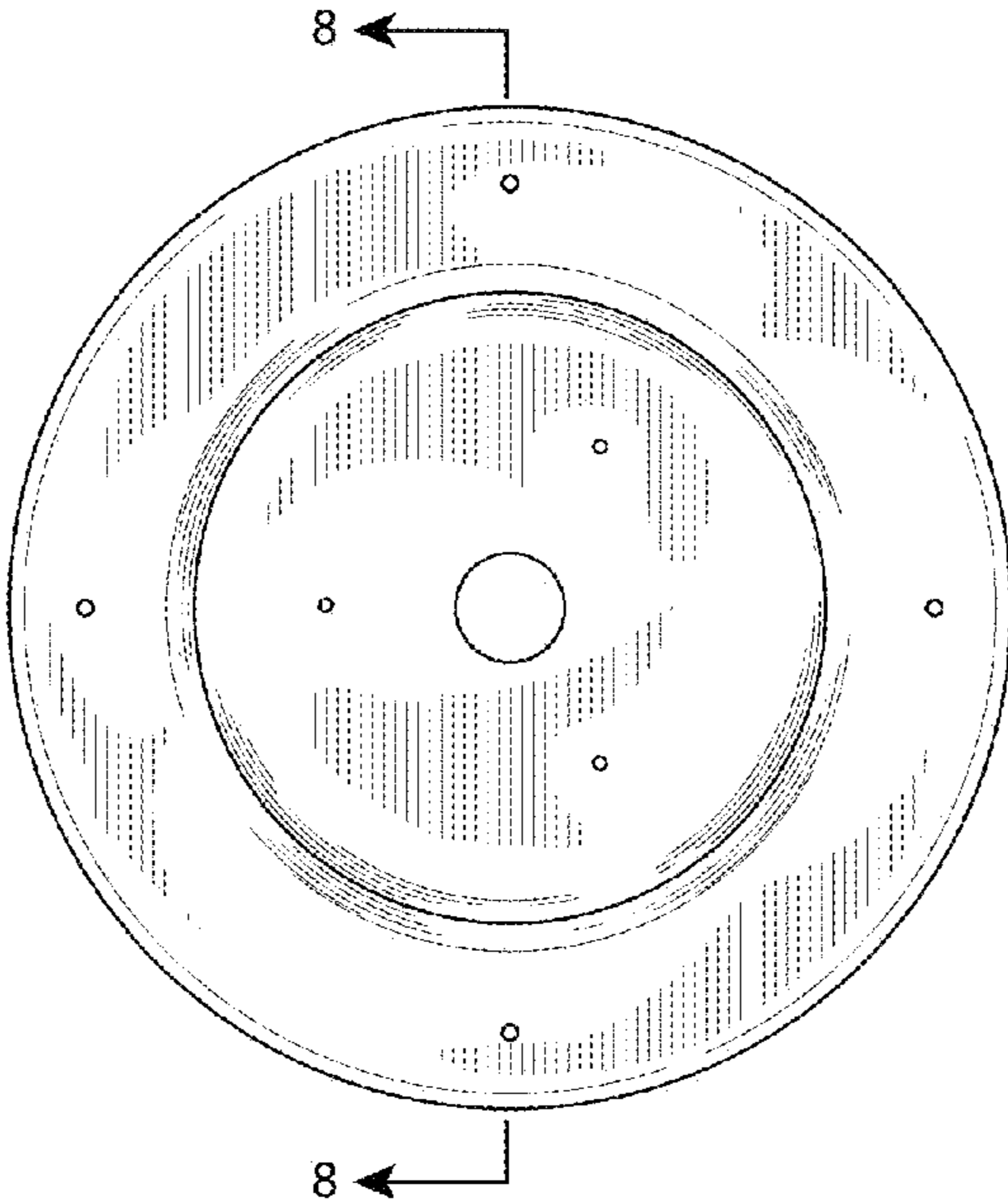


FIG. 2

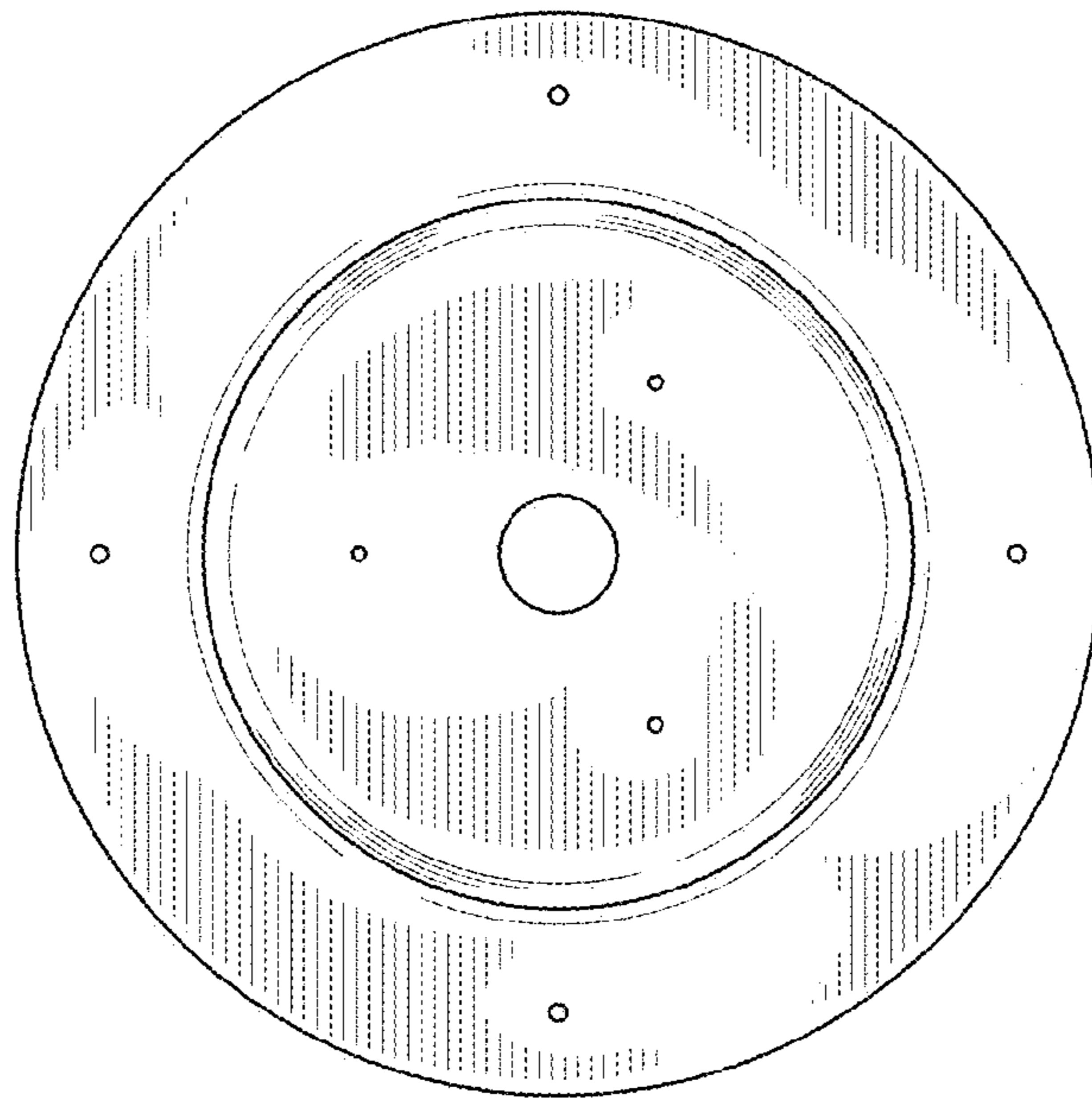


FIG. 3

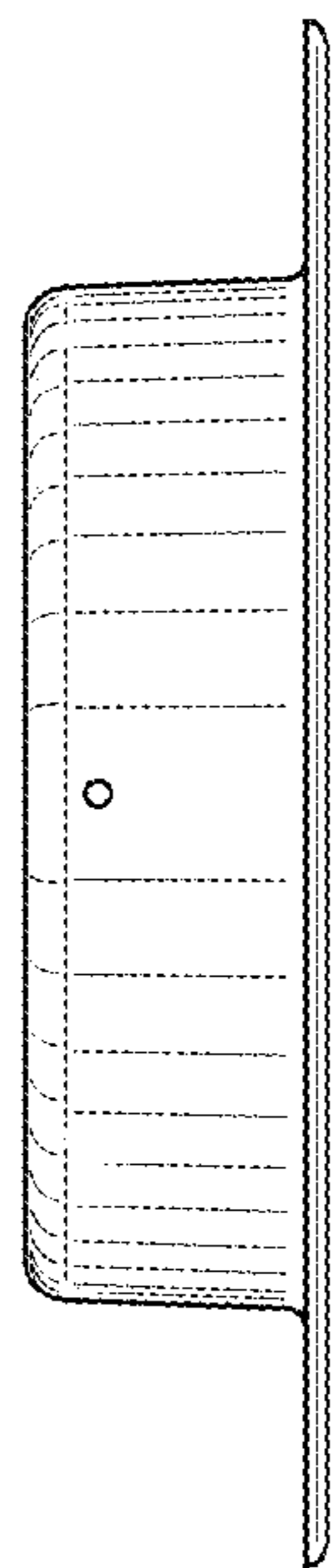


FIG. 4

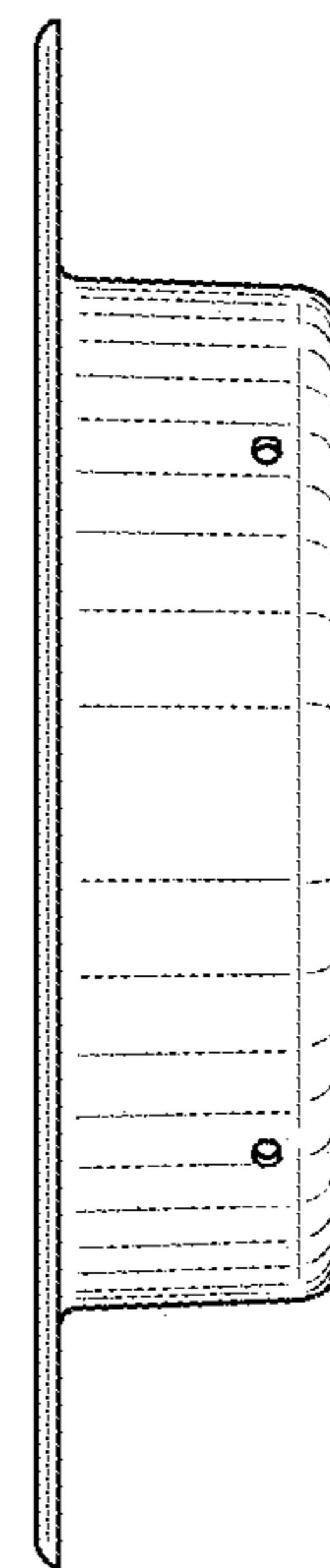


FIG. 5

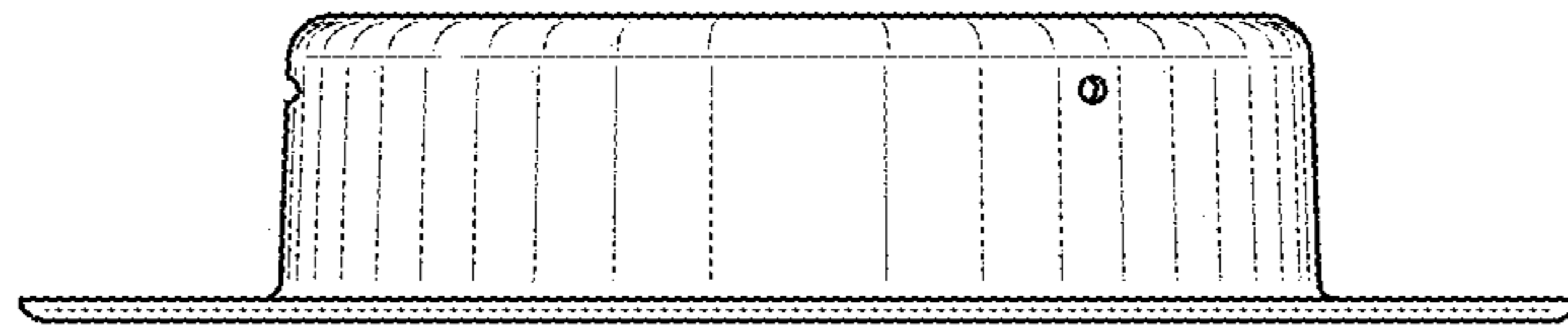


FIG. 6

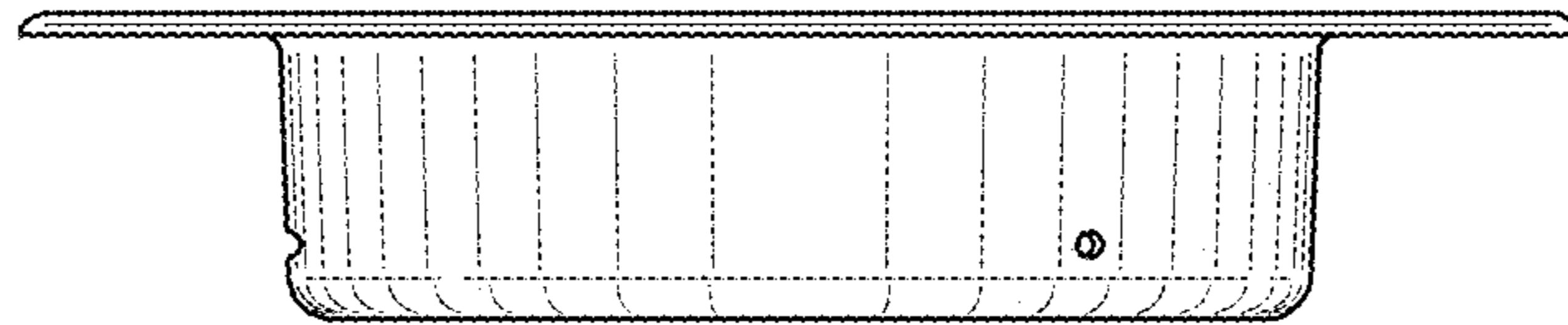


FIG. 7

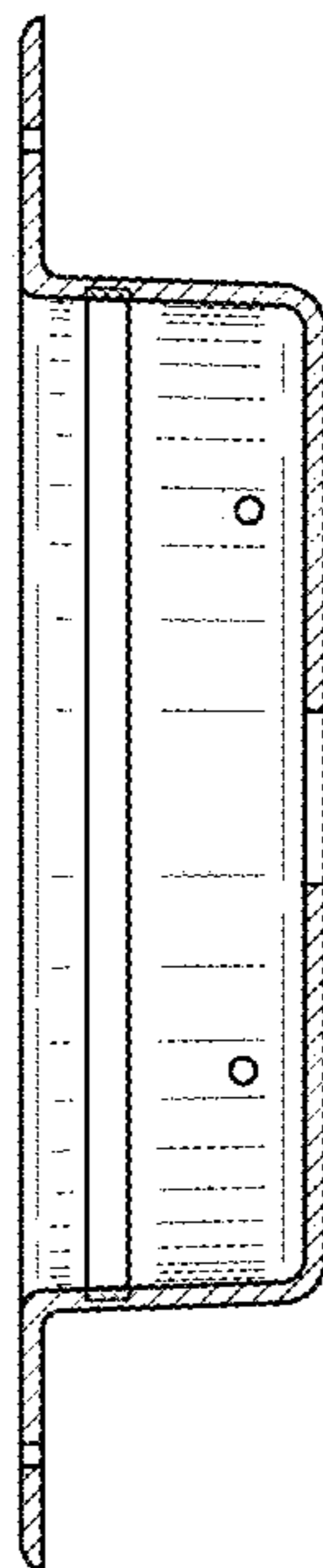


FIG. 8