



US00D723151S

(12) **United States Design Patent**
Xu

(10) **Patent No.:** **US D723,151 S**
(45) **Date of Patent:** **** Feb. 24, 2015**

- (54) **FAN**
- (71) Applicant: **Cooler Master Co., Ltd.**, New Taipei (TW)
- (72) Inventor: **Shi-Man Xu**, Hui Zhou (CN)
- (73) Assignee: **Cooler Master Co., Ltd.**, New Taipei (TW)
- (**) Term: **14 Years**
- (21) Appl. No.: **29/476,393**
- (22) Filed: **Dec. 13, 2013**
- (51) **LOC (10) Cl.** **23-04**
- (52) **U.S. Cl.**
USPC **D23/370**
- (58) **Field of Classification Search**
CPC ... F04D 29/326; F04D 29/384; F04D 29/386;
F04D 29/281; F04D 29/282; F04D 29/28;
F04D 29/329; F04D 29/663
USPC D23/411-414, 380, 324, 330, 332, 335,
D23/353-369, 370-379, 381-385, 499;
D21/455, 458; 392/365, 367; 415/179,
415/182.1; 416/62, 93 R, 100, 182, 189,
416/244 R, 246, 247 R, 223 R; 417/200,
417/423.1; 123/41.49; 261/24, 28; 361/695,
361/697; D13/175, 179
See application file for complete search history.

(56) **References Cited**
U.S. PATENT DOCUMENTS

3,334,807	A *	8/1967	McMahan	415/207
D209,250	S *	11/1967	Grad	D23/379
4,221,546	A *	9/1980	Papst et al.	417/354
5,184,938	A *	2/1993	Harmsen	416/223 R
6,481,963	B1 *	11/2002	Lin et al.	415/220
D485,904	S *	1/2004	Tsai et al.	D23/413
D506,540	S *	6/2005	Chiu et al.	D23/370
D507,637	S *	7/2005	Chiu et al.	D23/370

D507,638	S *	7/2005	Chiu et al.	D23/370
D507,639	S *	7/2005	Chiu et al.	D23/370
D512,499	S *	12/2005	Li et al.	D23/379
7,140,842	B2 *	11/2006	Liu	416/247 R
7,154,750	B2 *	12/2006	Li et al.	361/695
D570,996	S *	6/2008	Harman et al.	D23/413
D570,999	S *	6/2008	Harman et al.	D23/413
D585,130	S *	1/2009	Harman et al.	D23/413
D596,735	S *	7/2009	Su	D23/381
7,661,461	B2 *	2/2010	Chen	165/80.3
7,791,880	B2 *	9/2010	Chen et al.	361/695
8,035,967	B2 *	10/2011	Oh	361/695
D665,894	S *	8/2012	Inada et al.	D23/370
8,256,499	B2 *	9/2012	Li et al.	165/80.3

(Continued)

OTHER PUBLICATIONS

Corsair Hydro Series H90 techpowerup.com (online). 3 pages. Jan 31, 2013. [Retrieved on Nov. 24, 2014]. Retrieved from the Internet: < <http://www.techpowerup.com/reviews/Corsair/H90/3.html> >.*

(Continued)

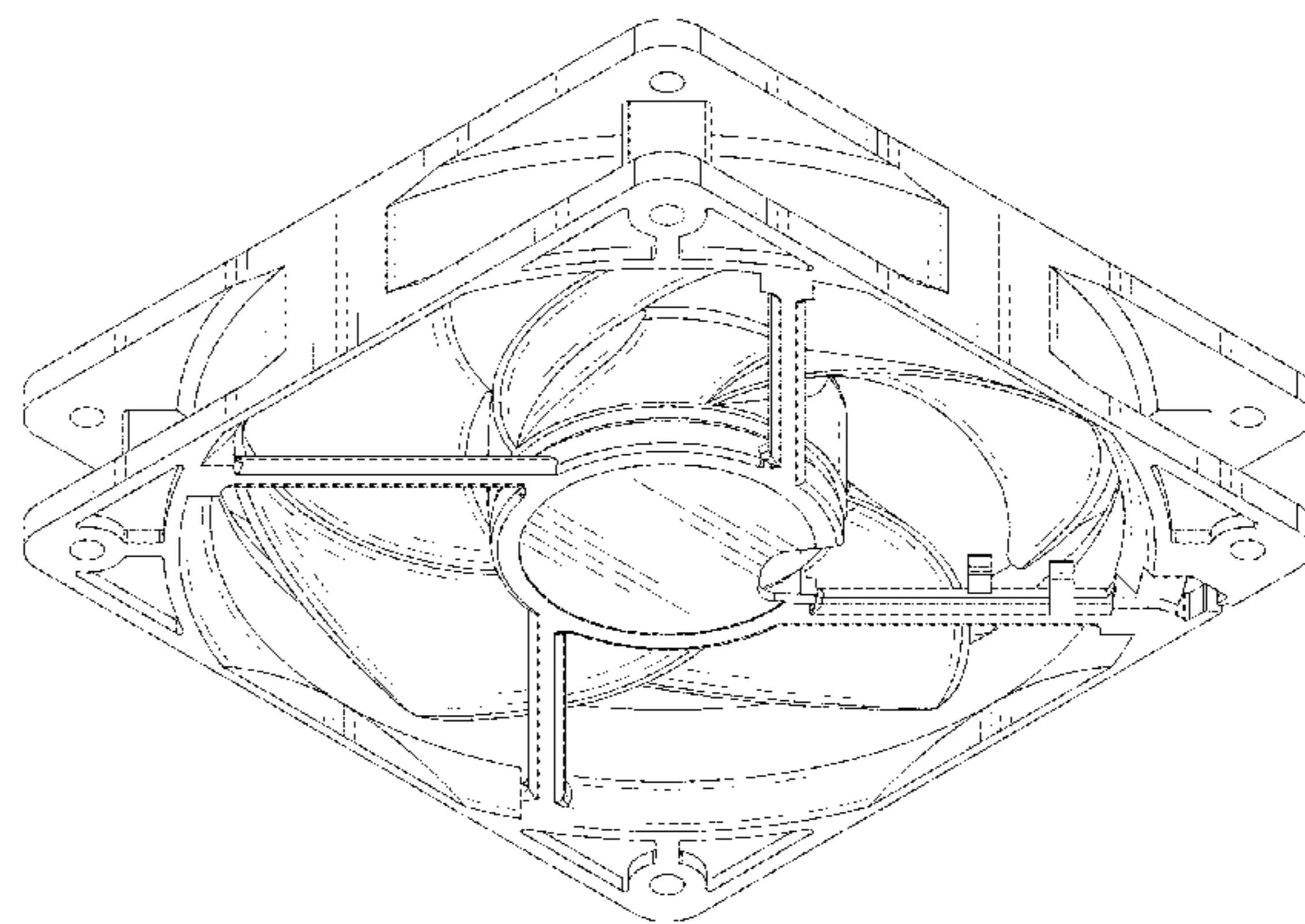
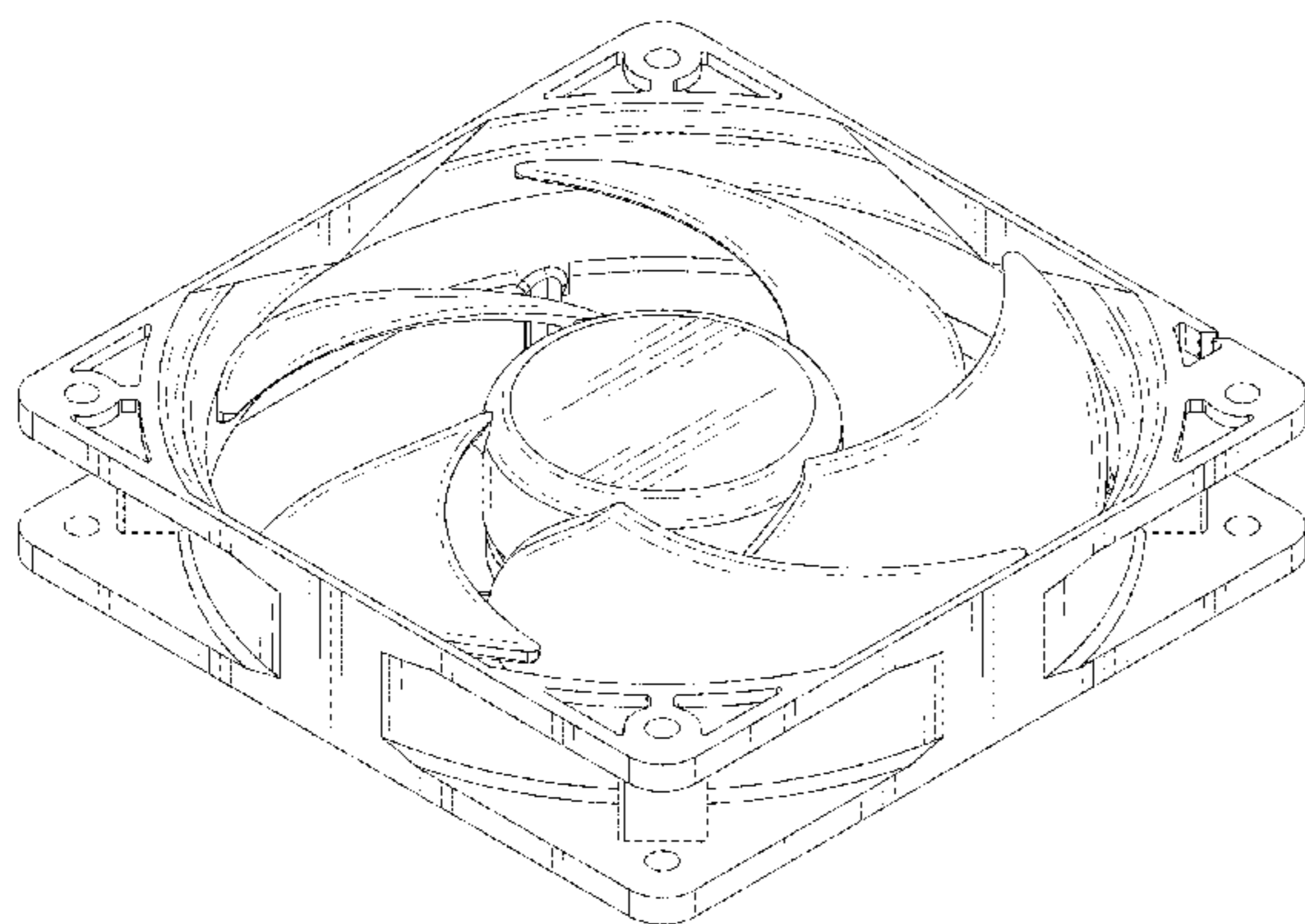
Primary Examiner — Susan Bennett Hattan
Assistant Examiner — Marie Fast Horse
(74) *Attorney, Agent, or Firm* — Chun-Ming Shih; HDLS IPR Services

(57) **CLAIM**
The ornamental design for a fan, as shown.

DESCRIPTION

FIG. 1 is a perspective view of a fan showing my new design; FIG. 2 is a front view thereof; FIG. 3 is a rear view thereof; FIG. 4 is a left side view thereof; FIG. 5 is a right side view thereof; FIG. 6 is a top view thereof; FIG. 7 is a bottom view thereof; and, FIG. 8 is another perspective view showing the fan.

1 Claim, 6 Drawing Sheets



(56)

References Cited

U.S. PATENT DOCUMENTS

8,256,500 B2 * 9/2012 Lian et al. 165/80.3
 D676,541 S * 2/2013 Fu et al. D23/370
 D681,188 S * 4/2013 Hu et al. D23/413
 D681,800 S * 5/2013 Hu et al. D23/413
 8,508,093 B2 * 8/2013 Wu et al. 310/156.38
 8,616,864 B2 * 12/2013 Nakamura et al. 417/423.14
 2001/0009187 A1 * 7/2001 Lin 165/80.3
 2001/0036416 A1 * 11/2001 Obara 417/423.1
 2005/0180849 A1 * 8/2005 Chen et al. 415/220
 2006/0012973 A1 * 1/2006 Lin 362/96
 2007/0041857 A1 * 2/2007 Fleig 417/423.14
 2007/0080604 A1 * 4/2007 Yang et al. 310/257
 2007/0098544 A1 * 5/2007 Wang 415/126
 2008/0157634 A1 * 7/2008 Sekiguchi et al. 310/67 R
 2010/0158677 A1 * 6/2010 Ishihara 415/182.1
 2010/0215505 A1 * 8/2010 Takeshita 416/223 R
 2010/0290923 A1 * 11/2010 Liu 417/63
 2011/0097226 A1 * 4/2011 Nakamura et al. 417/423.14

2011/0150638 A1 * 6/2011 Chen et al. 415/182.1
 2011/0150639 A1 * 6/2011 Chen et al. 415/182.1
 2011/0262271 A1 * 10/2011 Fukuda et al. 415/220
 2012/0026688 A1 * 2/2012 Takemoto et al. 361/695
 2012/0100001 A1 * 4/2012 Chen 416/228
 2012/0107120 A1 * 5/2012 Chang et al. 416/145
 2012/0171043 A1 * 7/2012 Lee et al. 416/235
 2012/0308416 A1 * 12/2012 Wu et al. 417/423.1
 2012/0315168 A1 * 12/2012 Yan et al. 417/423.7
 2013/0280029 A1 * 10/2013 Lee et al. 415/1
 2014/0064959 A1 * 3/2014 Yanagisawa 415/222

OTHER PUBLICATIONS

Electric Fans (Design -©Questel). orbit.com [online] 11 pages.
 Uploaded range 2010-2012 [retrieved on Nov. 23, 2014]. Retrieved
 from Internet: <<http://www1.orbit.com/index.html?ticket=c2c3ad5e-4d77-4705-9e73-73aeddab8509&locale=en#DesignListPage>>.*

* cited by examiner

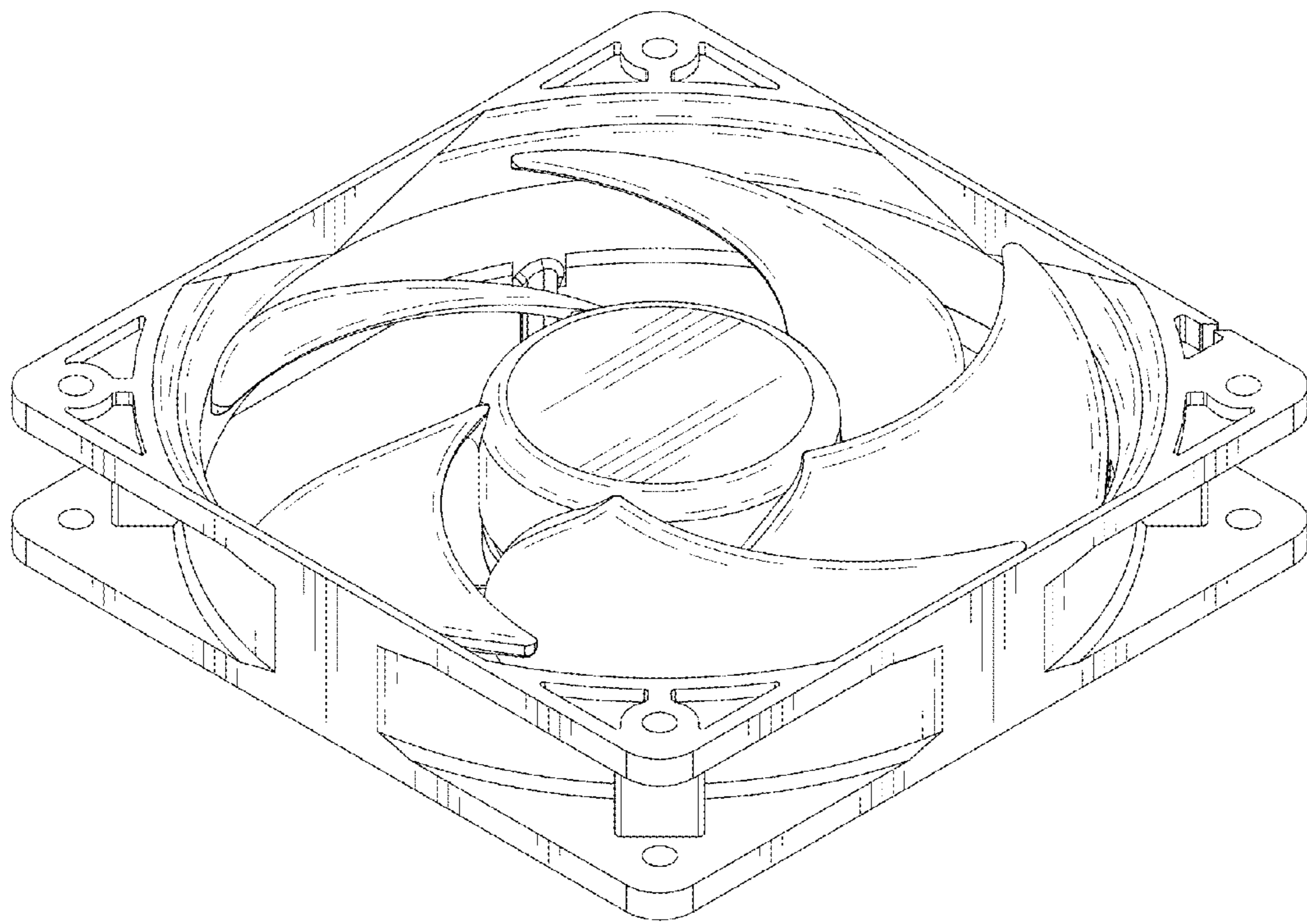


FIG.1

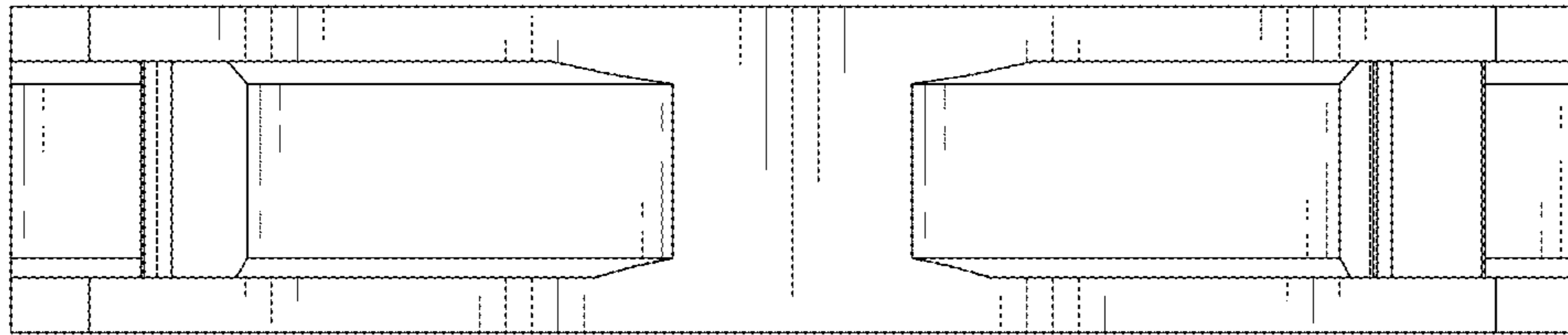


FIG.2

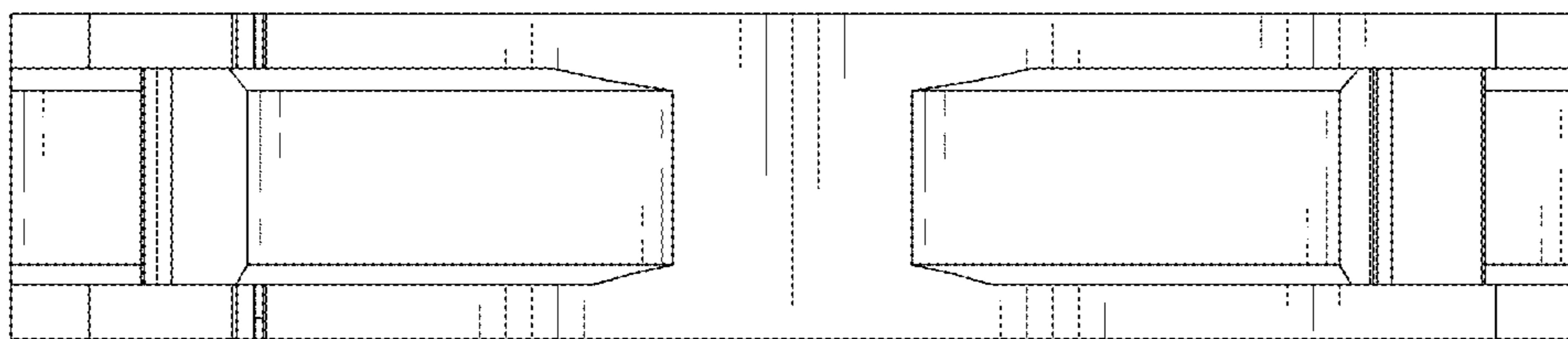


FIG.3

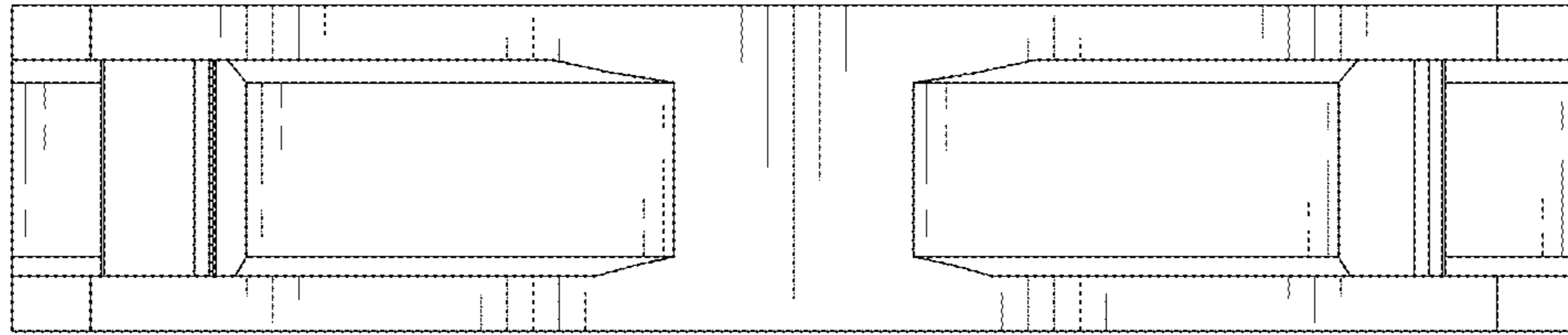


FIG.4

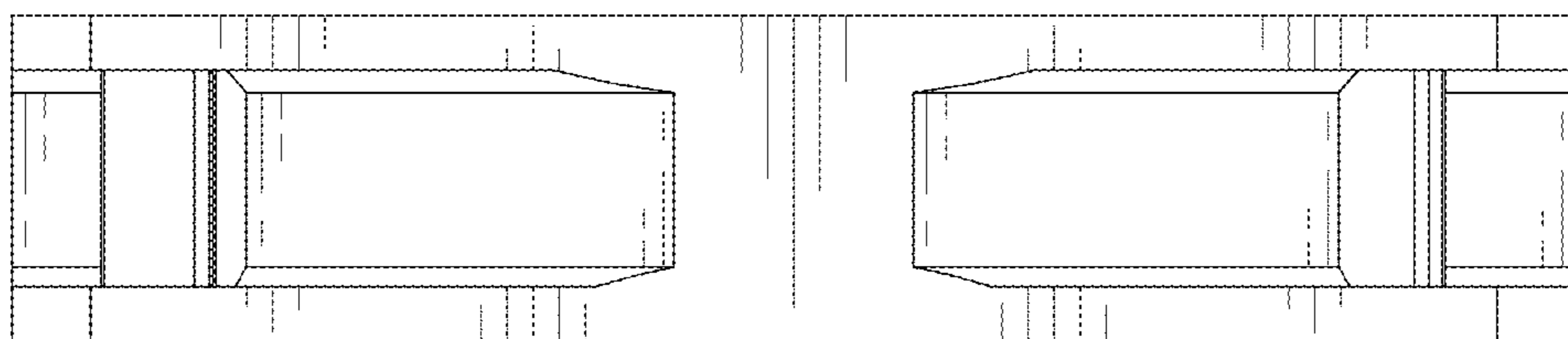


FIG.5

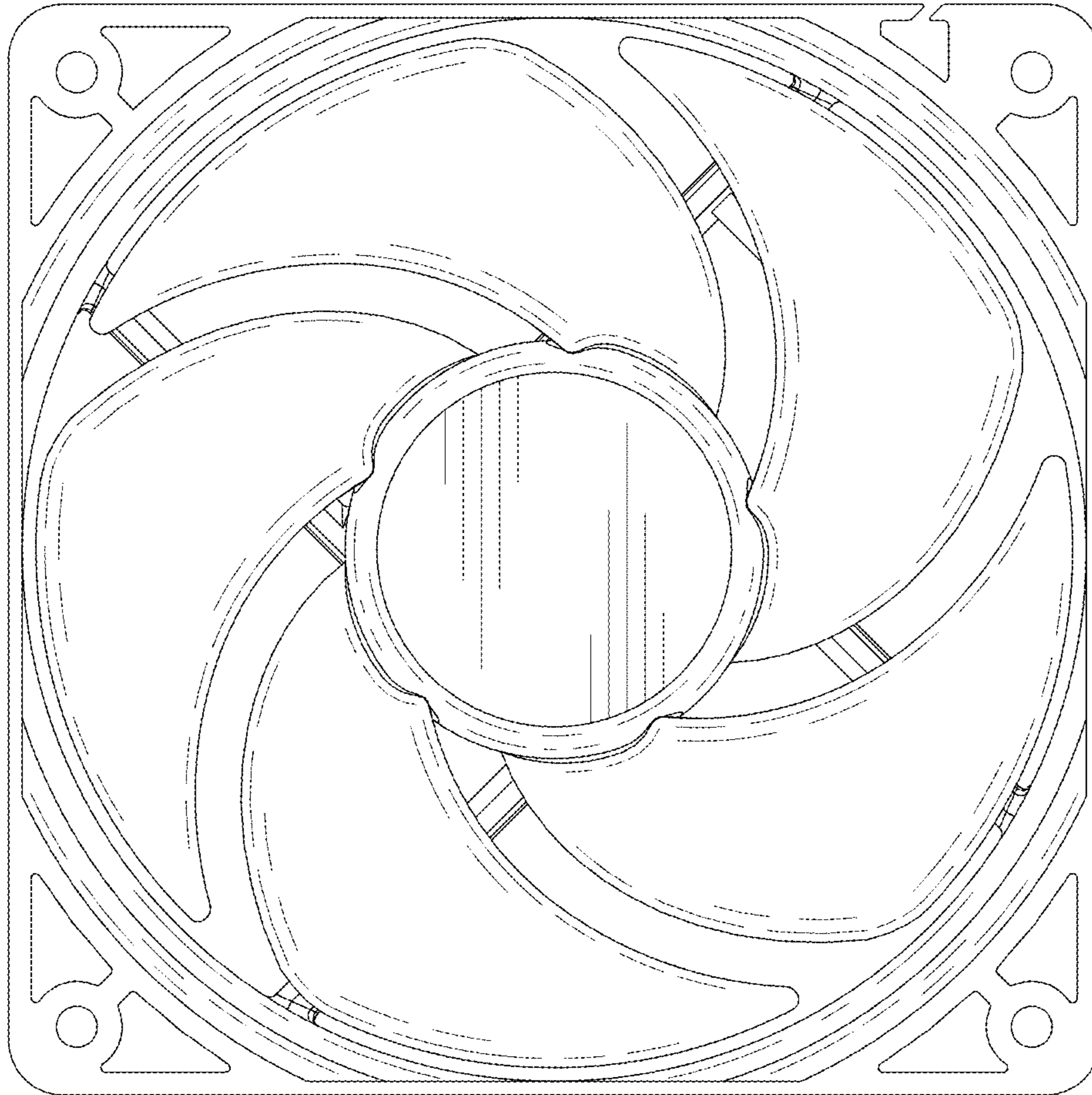


FIG. 6

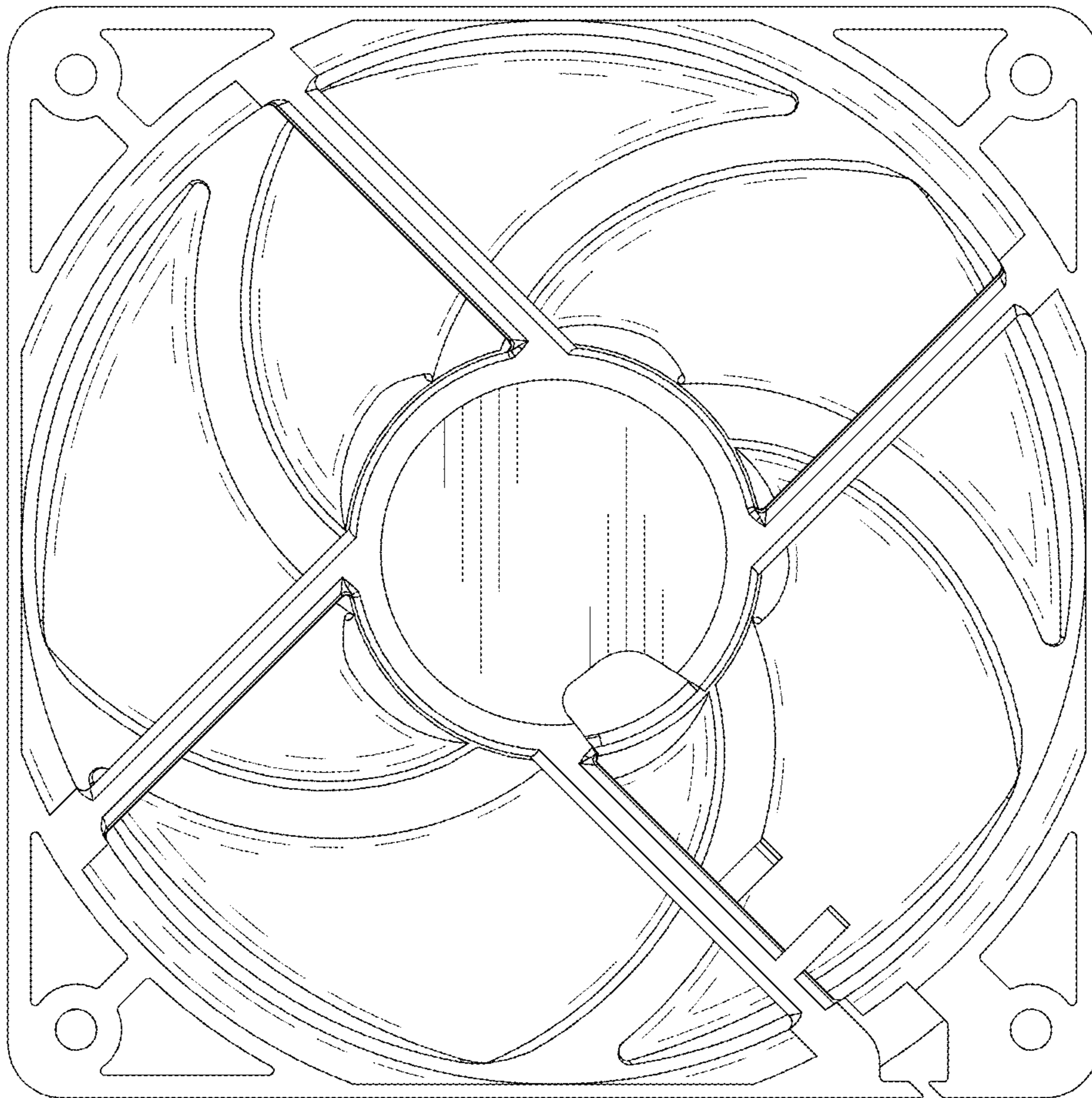


FIG.7

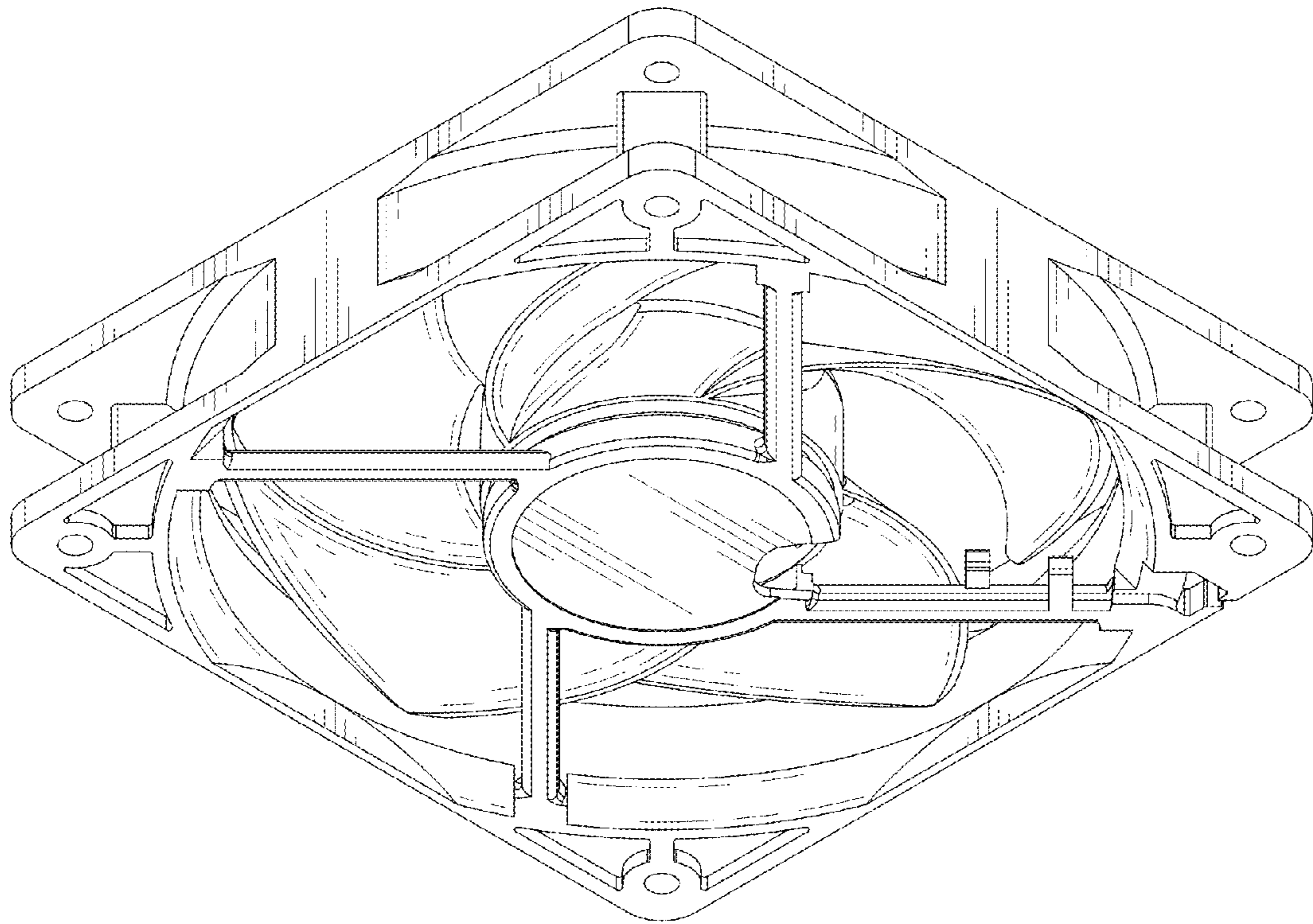


FIG.8