



US00D723145S

(12) **United States Design Patent**  
**Rejkowski et al.**

(10) **Patent No.:** **US D723,145 S**  
(45) **Date of Patent:** **\*\* Feb. 24, 2015**

(54) **ACCESSORY FOR VEHICLE HEATING AND AIR CONDITIONING SYSTEMS**

(71) Applicant: **Classic Auto Air Manufacturing LP**,  
Chagrin Falls, OH (US)

(72) Inventors: **Michael W. Rejkowski**, Irving, TX  
(US); **Stephen J. Sexton**, McKinney, TX  
(US)

(73) Assignee: **Classic Auto Air Manufacturing LP**,  
Cleveland, OH (US)

(\*\*) Term: **14 Years**

(21) Appl. No.: **29/482,530**

(22) Filed: **Feb. 19, 2014**

(51) **LOC (10) Cl.** ..... **12-16**

(52) **U.S. Cl.**  
USPC ..... **D23/324**

(58) **Field of Classification Search**  
USPC ..... D23/324, 327, 325; D12/400, 192;  
454/155, 152, 153, 367, 154  
See application file for complete search history.

(56) **References Cited**

**U.S. PATENT DOCUMENTS**

5,065,667	A	11/1991	Ziegler	
5,220,805	A	6/1993	Fukudomi	
5,700,191	A	12/1997	Nieling et al.	
5,967,891	A *	10/1999	Riley et al.	454/154
6,066,225	A	5/2000	Lopes	
D445,049	S	7/2001	Lee	
6,378,388	B1	4/2002	Lacroix	
D491,853	S *	6/2004	Sato et al.	D12/192
D494,906	S	8/2004	Pfeiffer	
7,040,104	B2	5/2006	Bogner et al.	

D528,485	S	9/2006	Montijo et al.	
D641,673	S	7/2011	Zimmermann et al.	
D674,885	S	1/2013	Rejkowski et al.	
D680,204	S	4/2013	Rejkowski et al.	
D680,205	S	4/2013	Rejkowski et al.	
D686,307	S	7/2013	Rejkowski et al.	
D695,882	S	12/2013	Rejkowski et al.	
8,740,677	B2 *	6/2014	Steinbeiss et al.	454/154
2006/0092129	A1	5/2006	Choquet et al.	
2006/0175422	A1	8/2006	Hall	

\* cited by examiner

*Primary Examiner* — T. Chase Nelson

*Assistant Examiner* — Ania Aman

(57) **CLAIM**

The ornamental design for an accessory for vehicle heating and air conditioning systems, as shown and described.

**DESCRIPTION**

FIG. 1 is a perspective front view of an accessory for vehicle heating and air conditioning systems showing our new design;

FIG. 2 is a top plan view of the accessory for vehicle heating and air conditioning systems of FIG. 1;

FIG. 3 is a front elevation view of the accessory for vehicle heating and air conditioning systems of FIG. 1;

FIG. 4 is a right side elevation view of the accessory for vehicle heating and air conditioning systems of FIG. 1;

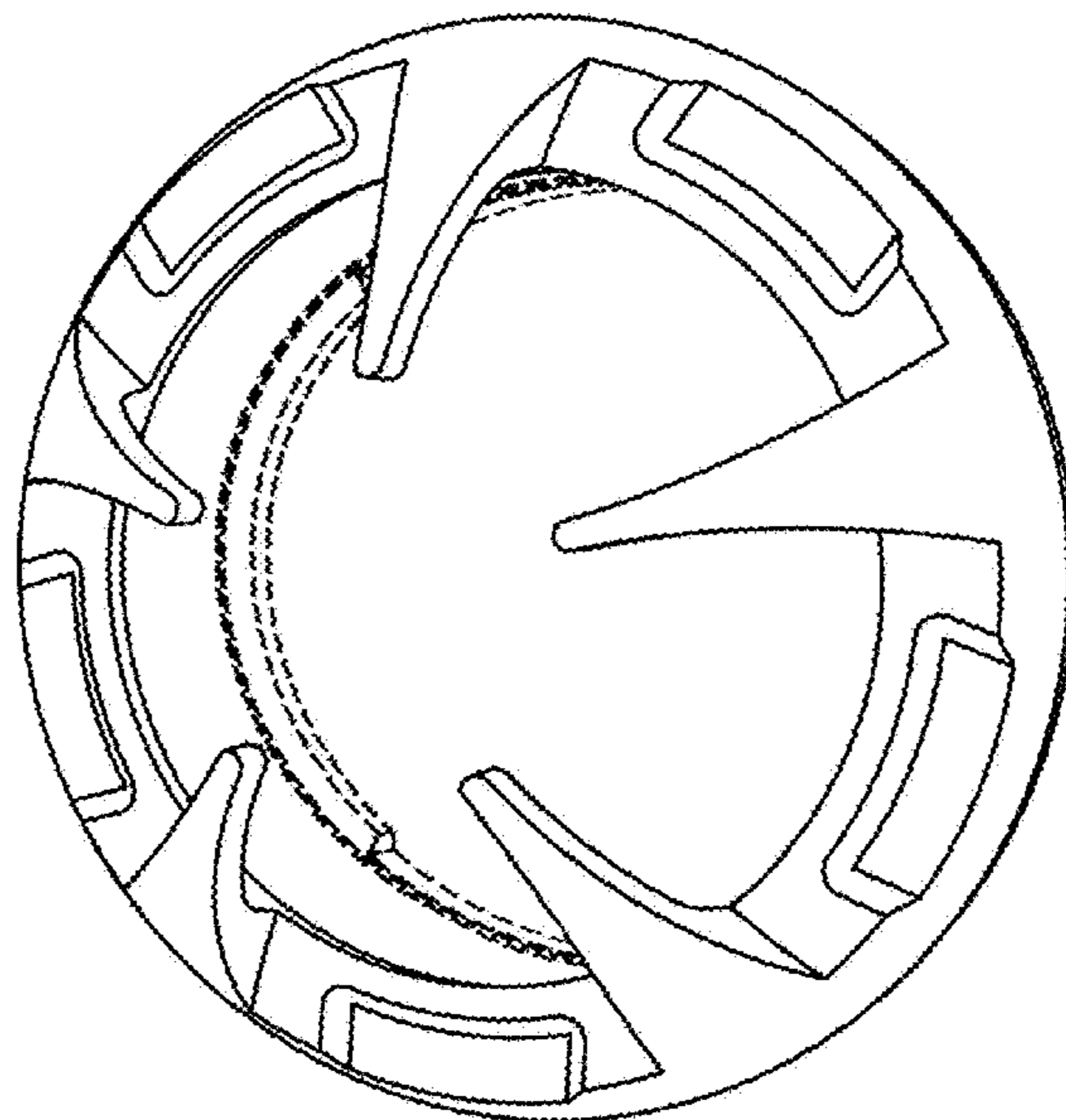
FIG. 5 is a left side elevation view of the accessory for vehicle heating and air conditioning systems of FIG. 1;

FIG. 6 is a bottom plan view of the accessory for vehicle heating and air conditioning systems of FIG. 1; and,

FIG. 7 is a rear elevation view of the accessory for vehicle heating and air conditioning systems of FIG. 1.

In the drawings, the broken lines depict unclaimed subject matter only and form no part of the claimed design.

**1 Claim, 3 Drawing Sheets**



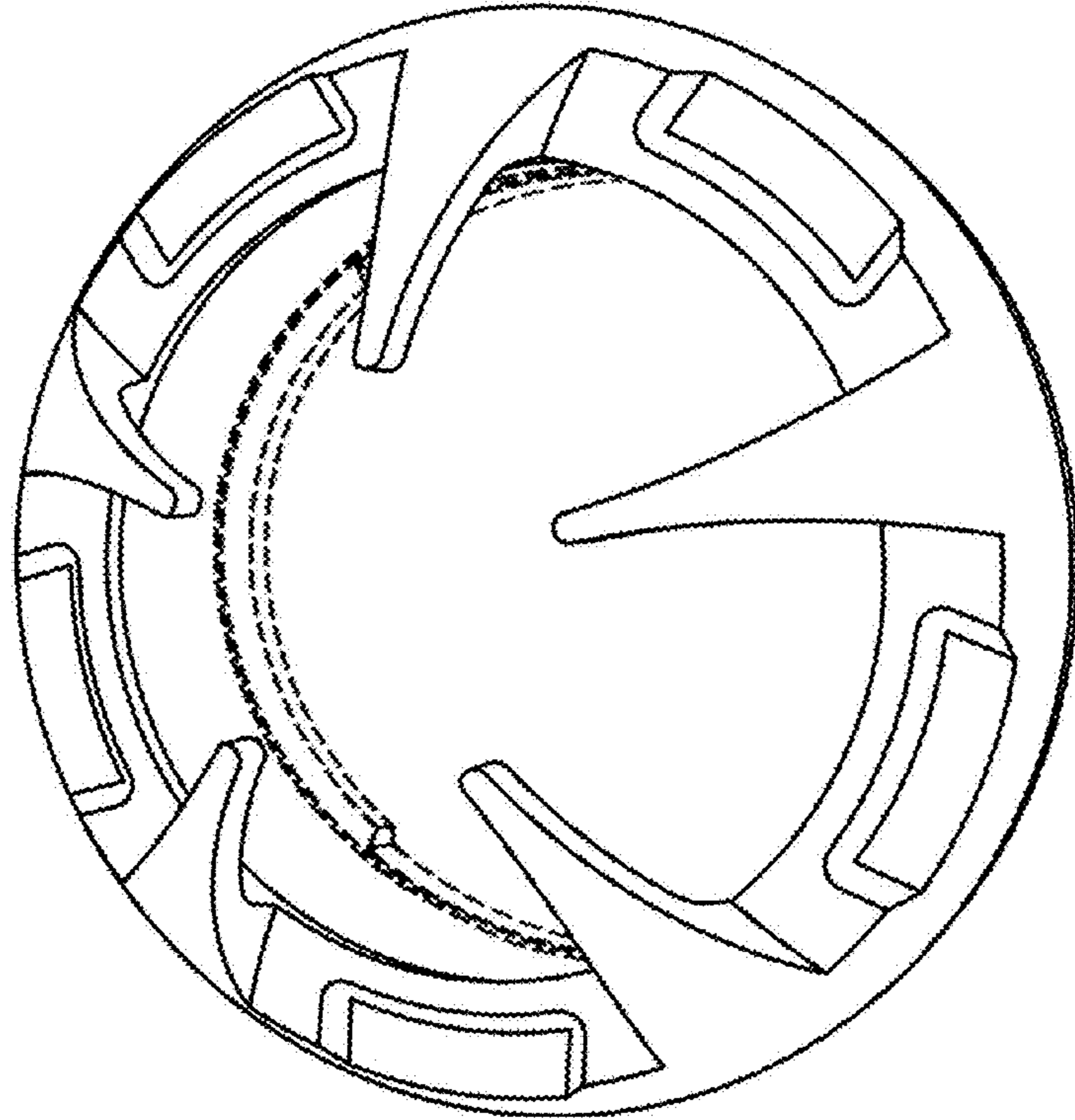


Fig. 1

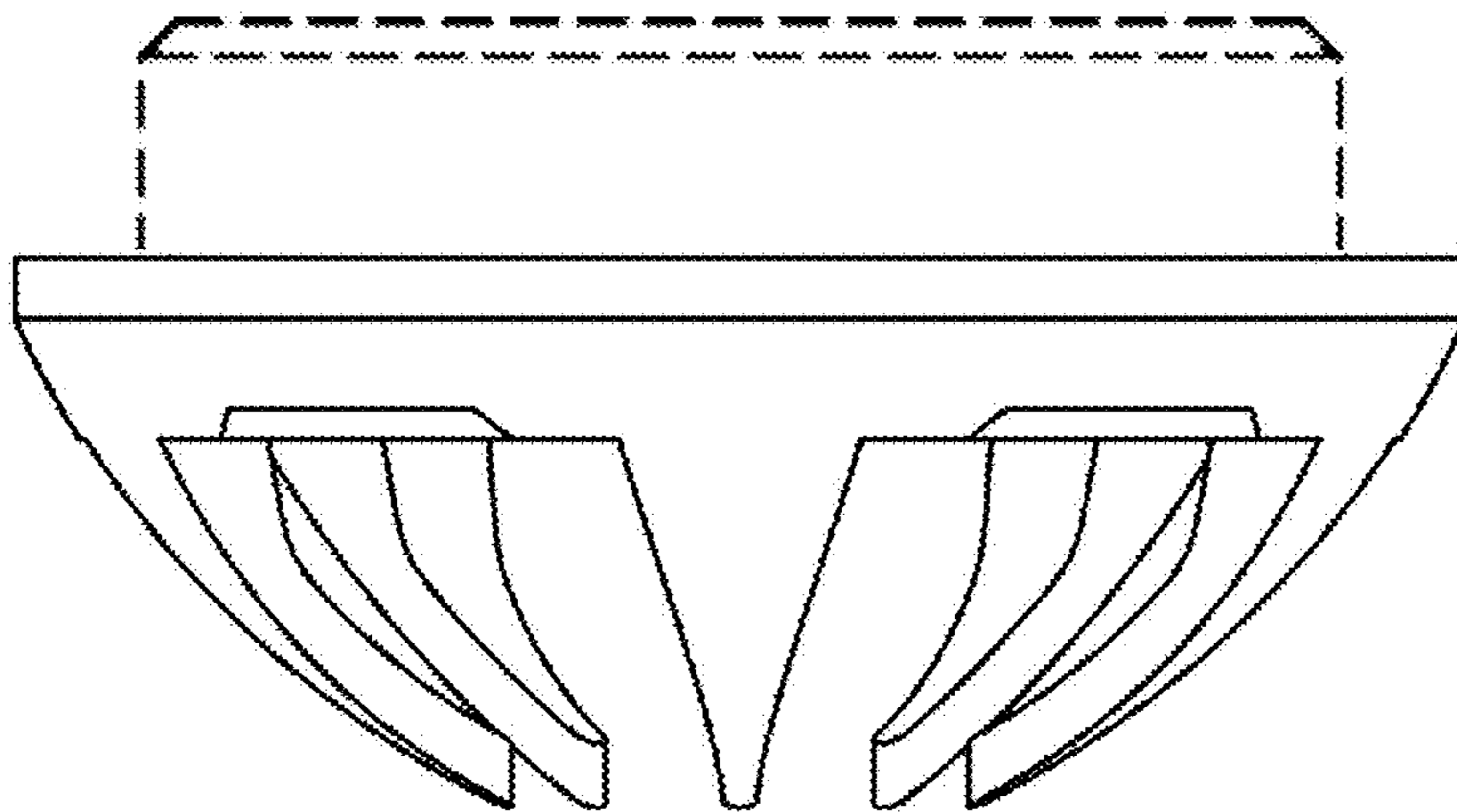


Fig. 2

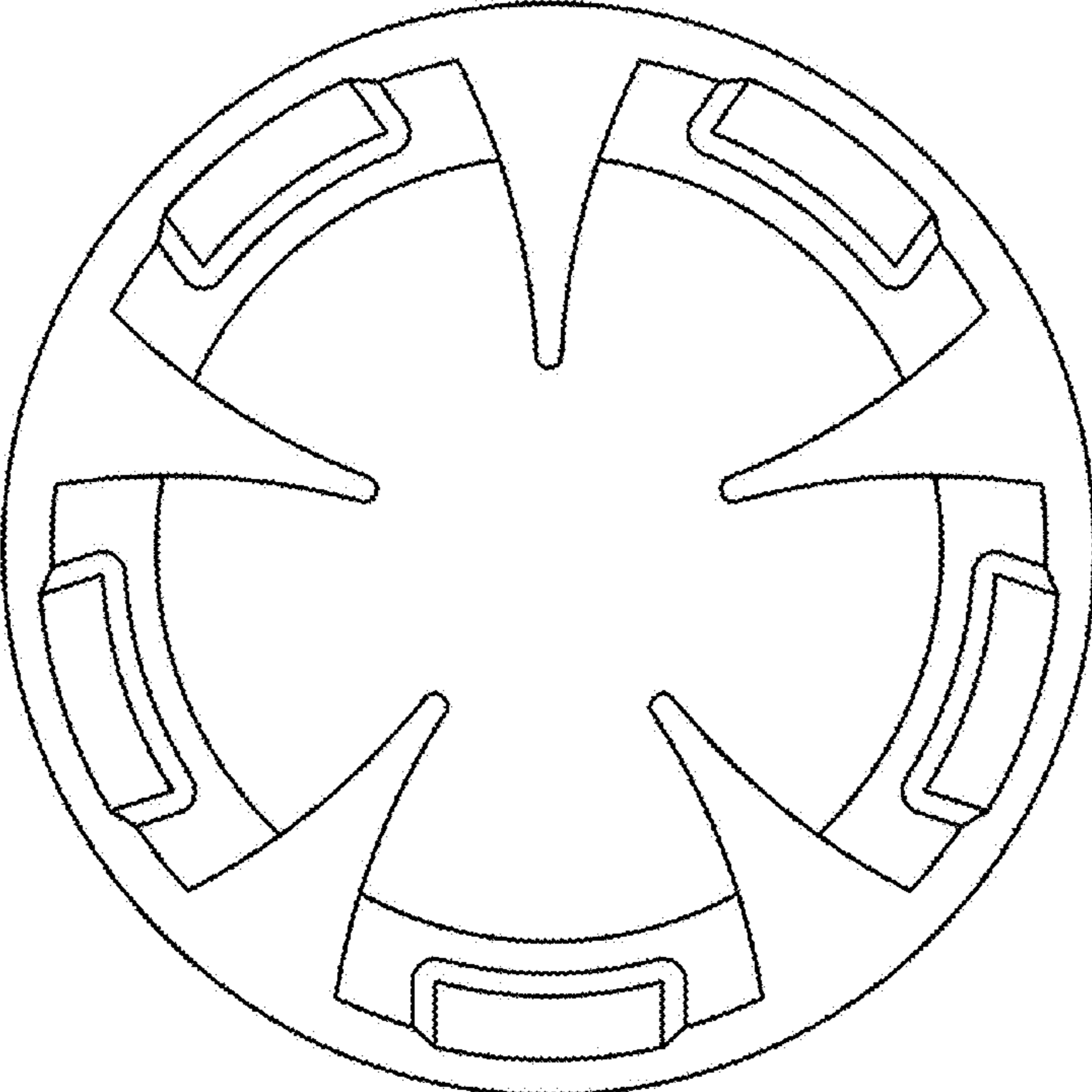


Fig. 3

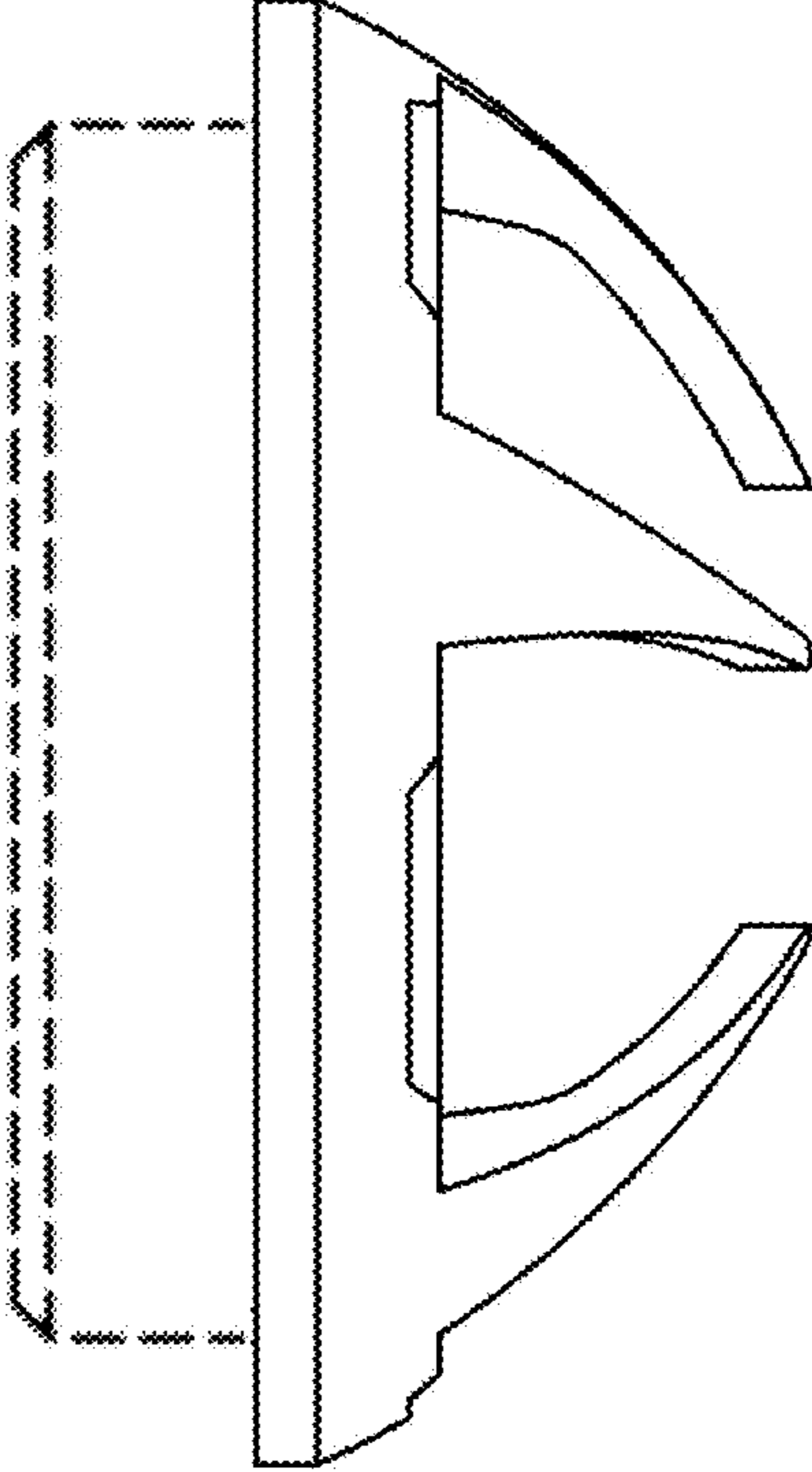


Fig. 4

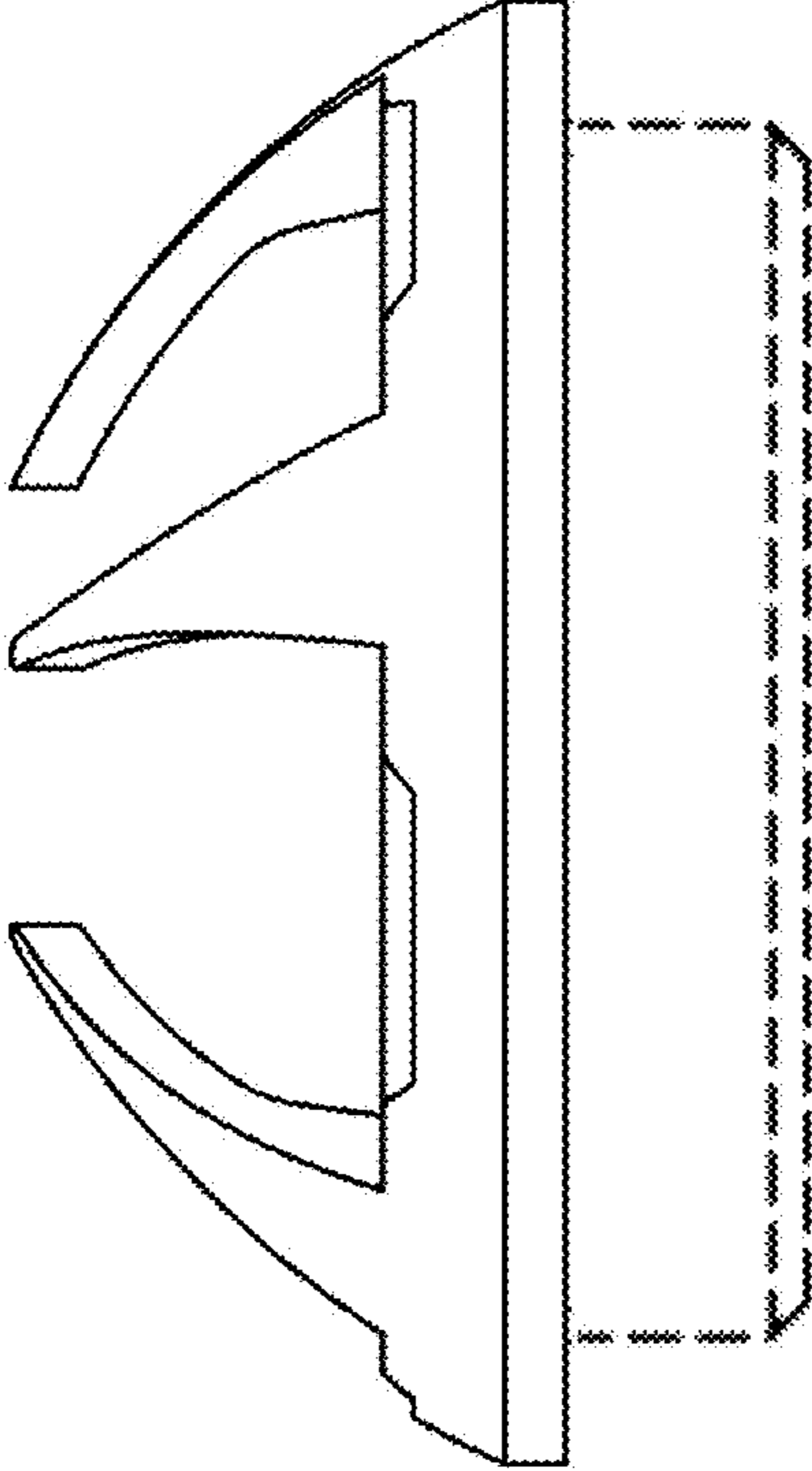


Fig. 5

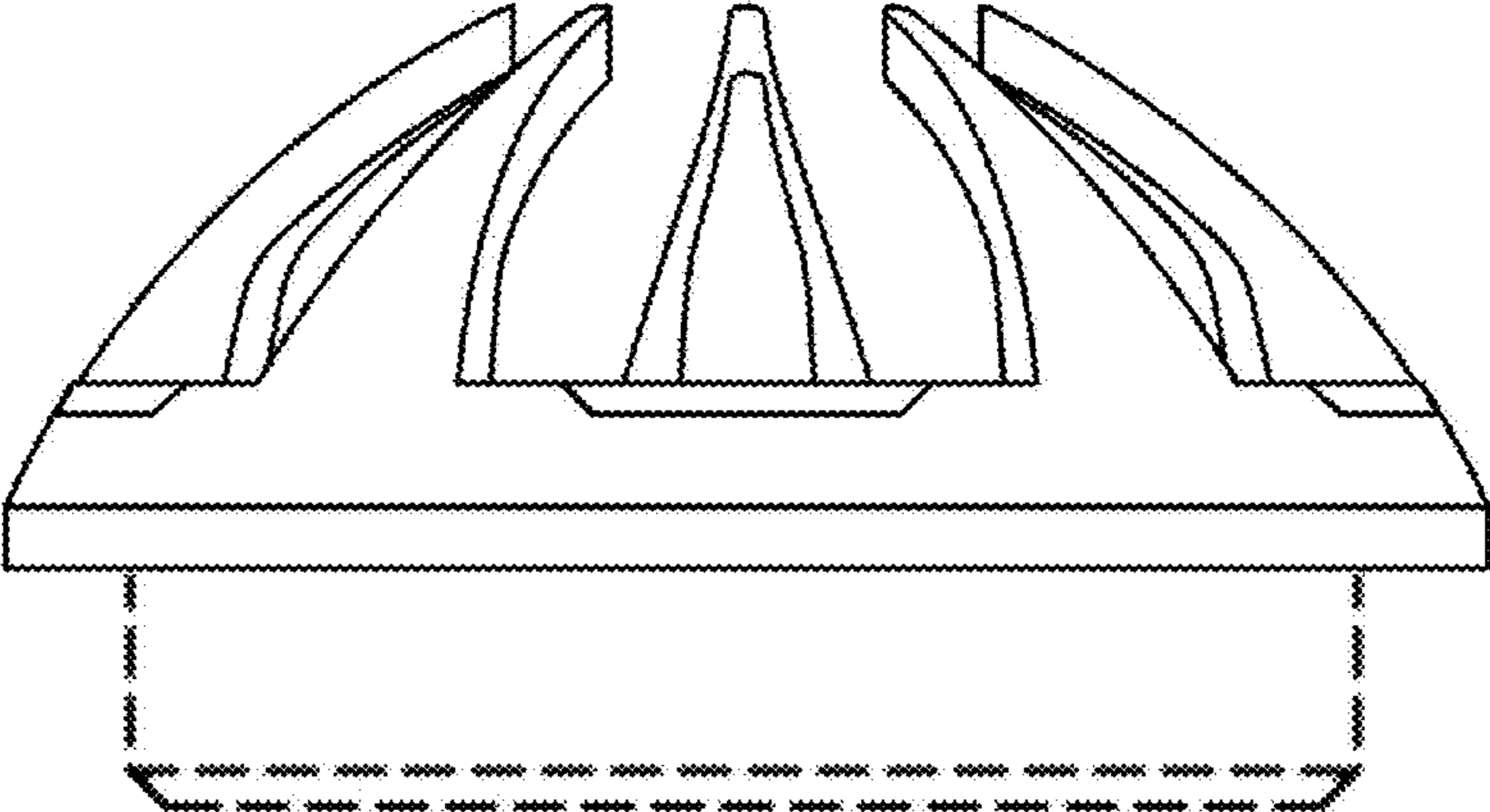


Fig. 6

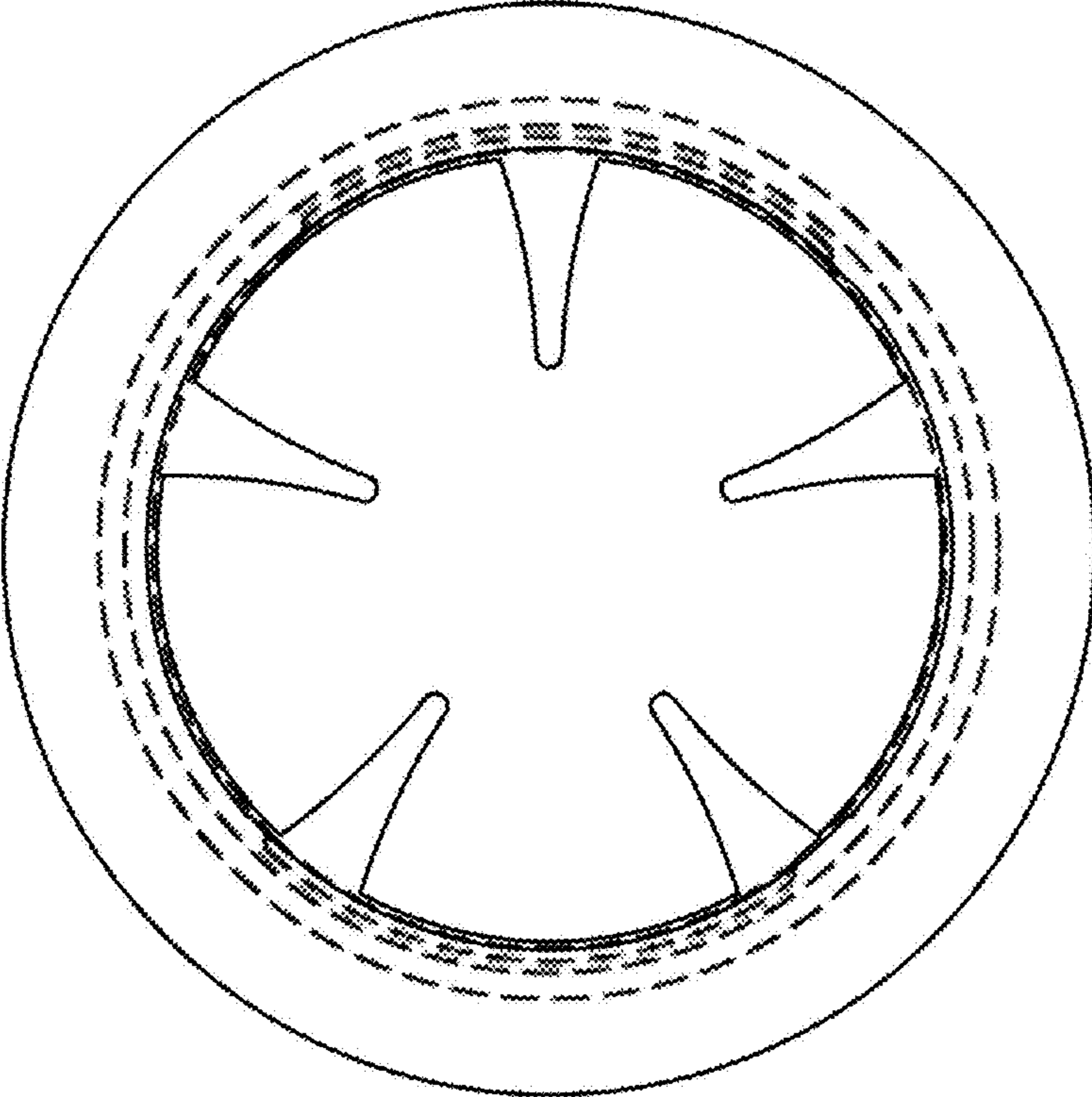


Fig. 7