



US00D723144S

(12) **United States Design Patent**
Rejkowski et al.

(10) **Patent No.:** **US D723,144 S**

(45) **Date of Patent:** **** Feb. 24, 2015**

(54) **ACCESSORY MOUNT FOR VEHICLE HEATING AND AIR CONDITIONING SYSTEMS**

(71) Applicants: **Michael W. Rejkowski**, Irving, TX (US); **Stephen J. Sexton**, McKinney, TX (US)

(72) Inventors: **Michael W. Rejkowski**, Irving, TX (US); **Stephen J. Sexton**, McKinney, TX (US)

(73) Assignee: **Classic Auto Air Manufacturing LP**, Cleveland, OH (US)

(**) Term: **14 Years**

(21) Appl. No.: **29/447,946**

(22) Filed: **Mar. 7, 2013**

Related U.S. Application Data

(63) Continuation-in-part of application No. 29/426,564, filed on Jul. 6, 2012, now Pat. No. Des. 680,204.

(51) **LOC (10) Cl.** **12-16**

(52) **U.S. Cl.**
USPC **D23/324**

(58) **Field of Classification Search**
USPC D23/324, 327, 325; D12/400, 192; 454/155, 152, 153, 367, 154
See application file for complete search history.

(56) **References Cited**

U.S. PATENT DOCUMENTS

5,220,805 A 6/1993 Fukudomi
5,797,791 A * 8/1998 Humphrey et al. 454/134
D496,896 S * 10/2004 Tahira et al. D12/192

D506,819 S * 6/2005 Stobart D23/370
D514,968 S * 2/2006 Tahira et al. D10/102
D535,732 S * 1/2007 Klopp, III D23/327
D537,520 S * 2/2007 Nishizawa D23/393
D577,641 S * 9/2008 Wyszogrod et al. D12/192
8,057,288 B2 * 11/2011 Konet 454/155
8,834,241 B2 * 9/2014 Uhlenbusch 454/155
2006/0175422 A1 8/2006 Hall

* cited by examiner

Primary Examiner — T. Chase Nelson

Assistant Examiner — Ania Aman

(57) **CLAIM**

The ornamental design for an accessory mount for vehicle heating and air conditioning systems, as shown and described.

DESCRIPTION

FIG. 1 is a perspective front view of an accessory mount for vehicle heating and air conditioning systems showing our new design;

FIG. 2 is a top plan view of the accessory mount for vehicle heating and air conditioning systems of FIG. 1;

FIG. 3 is a front elevation view of the accessory mount for vehicle heating and air conditioning systems of FIG. 1;

FIG. 4 is a right side elevation view of the accessory mount for vehicle heating and air conditioning systems of FIG. 1;

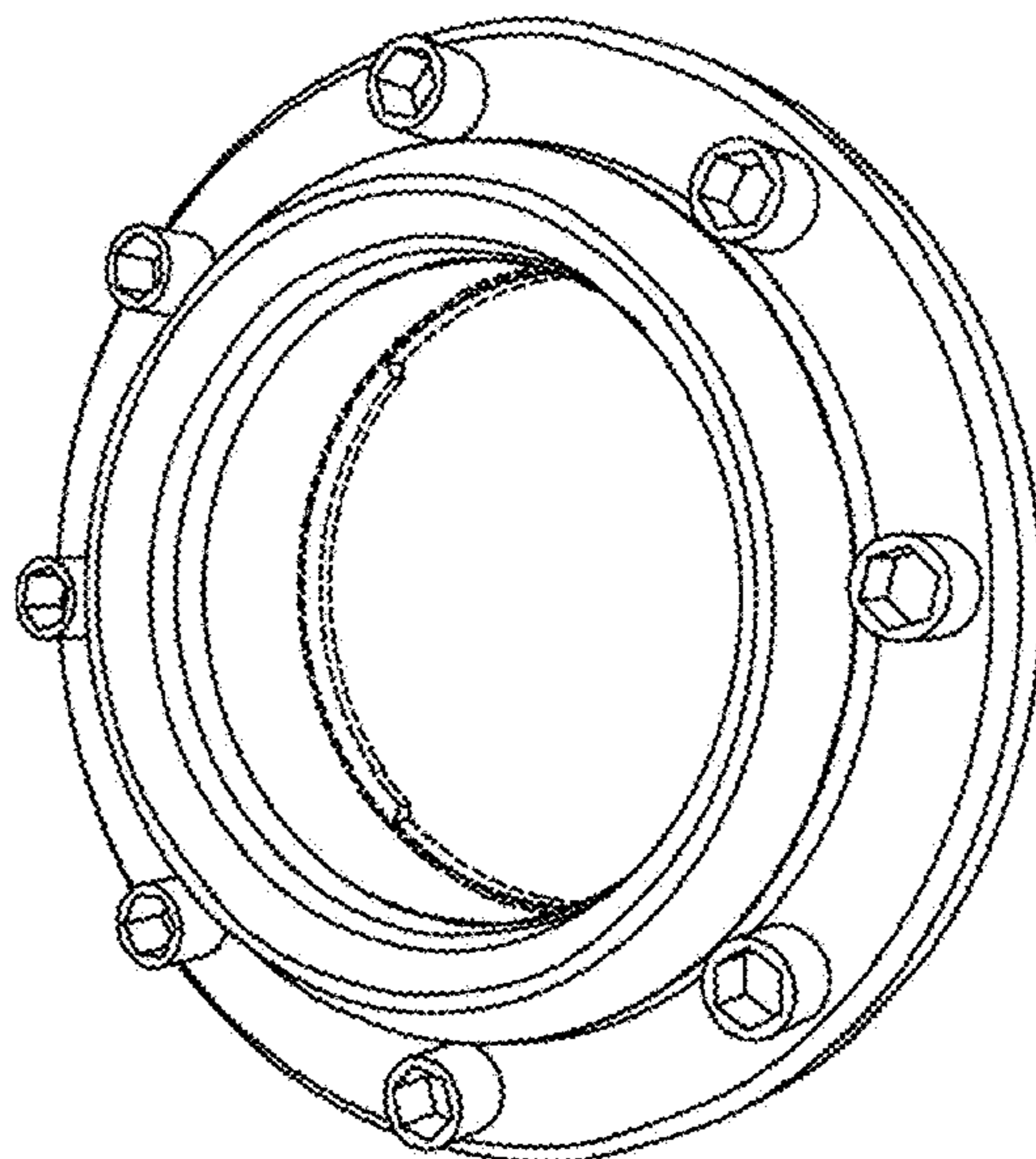
FIG. 5 is a left side elevation view of the accessory mount for vehicle heating and air conditioning systems of FIG. 1;

FIG. 6 is a bottom plan view of the accessory mount for vehicle heating and air conditioning systems of FIG. 1; and,

FIG. 7 is a rear elevation view of the accessory mount for vehicle heating and air conditioning systems of FIG. 1.

The broken lines are provided solely for illustrative purposes and form no part of the claimed design.

1 Claim, 3 Drawing Sheets



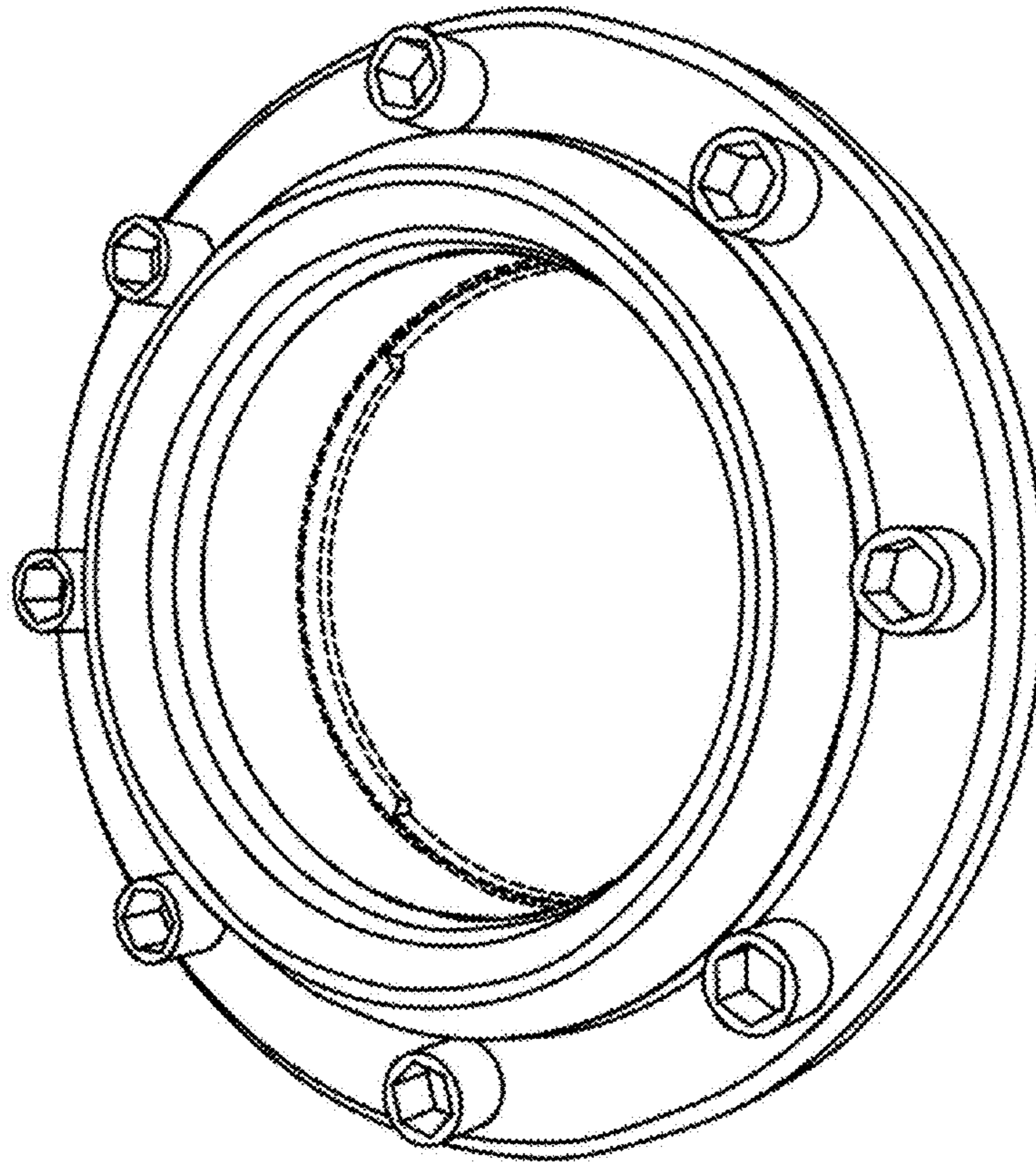


Fig. 1

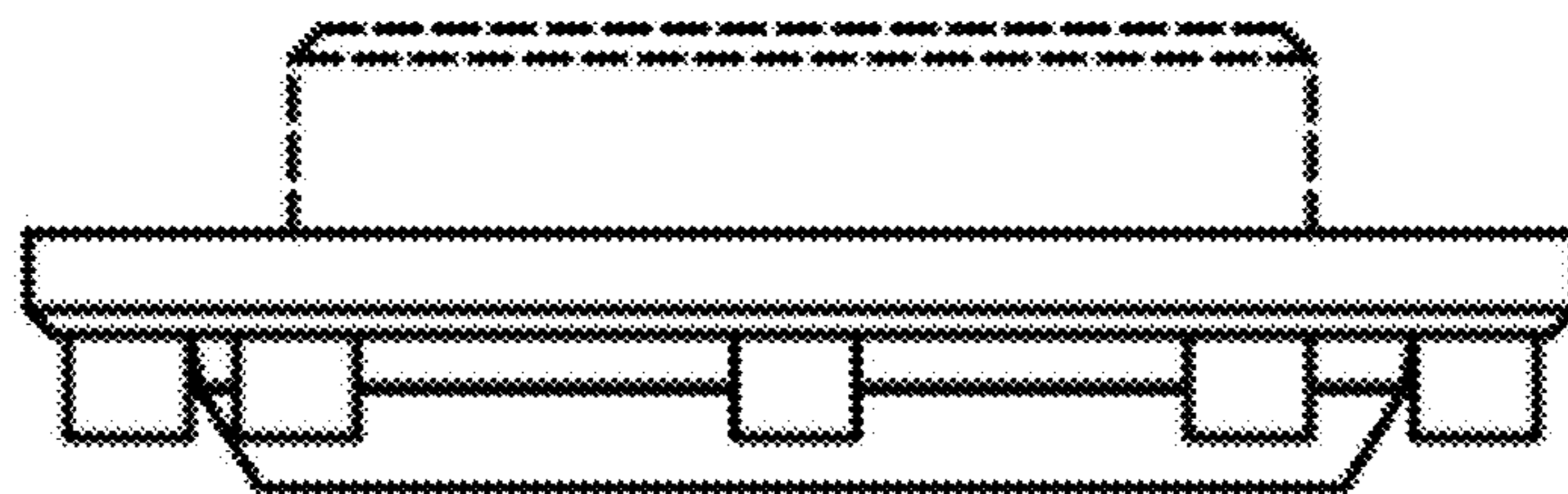


Fig. 2

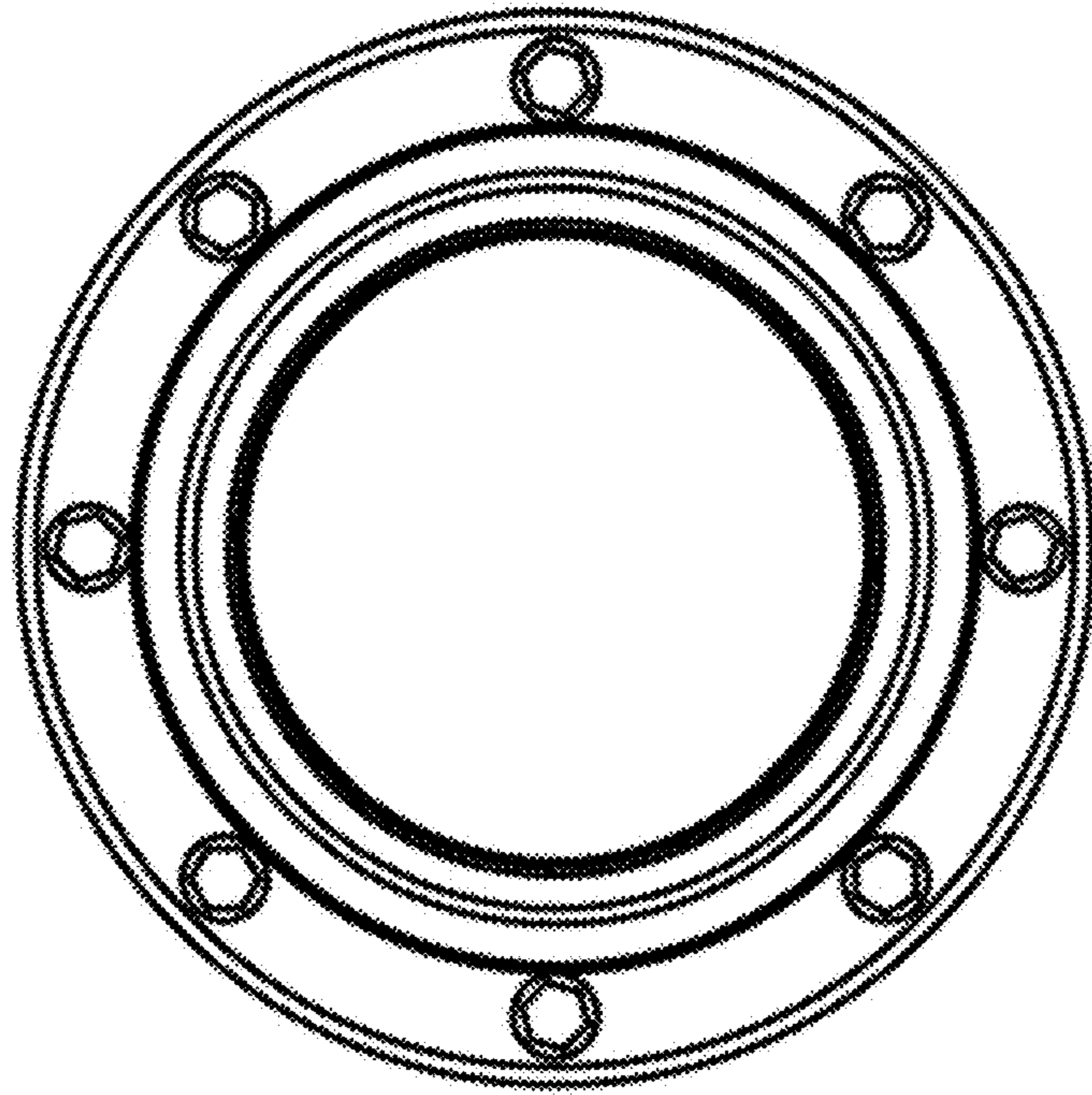


Fig. 3

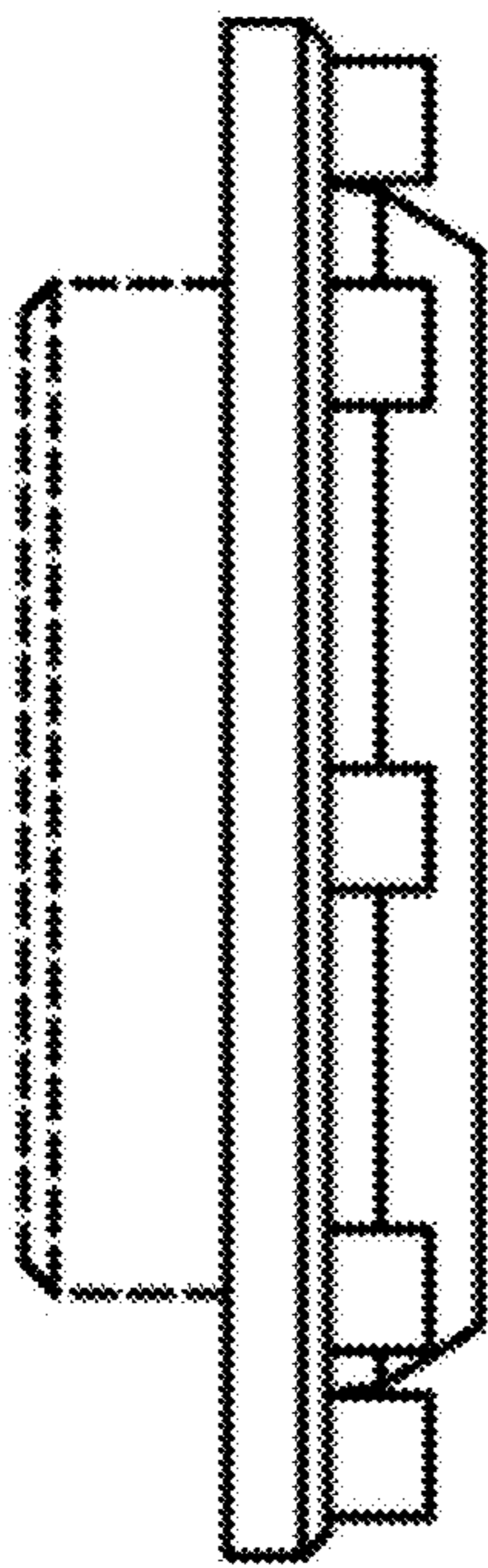


Fig. 4

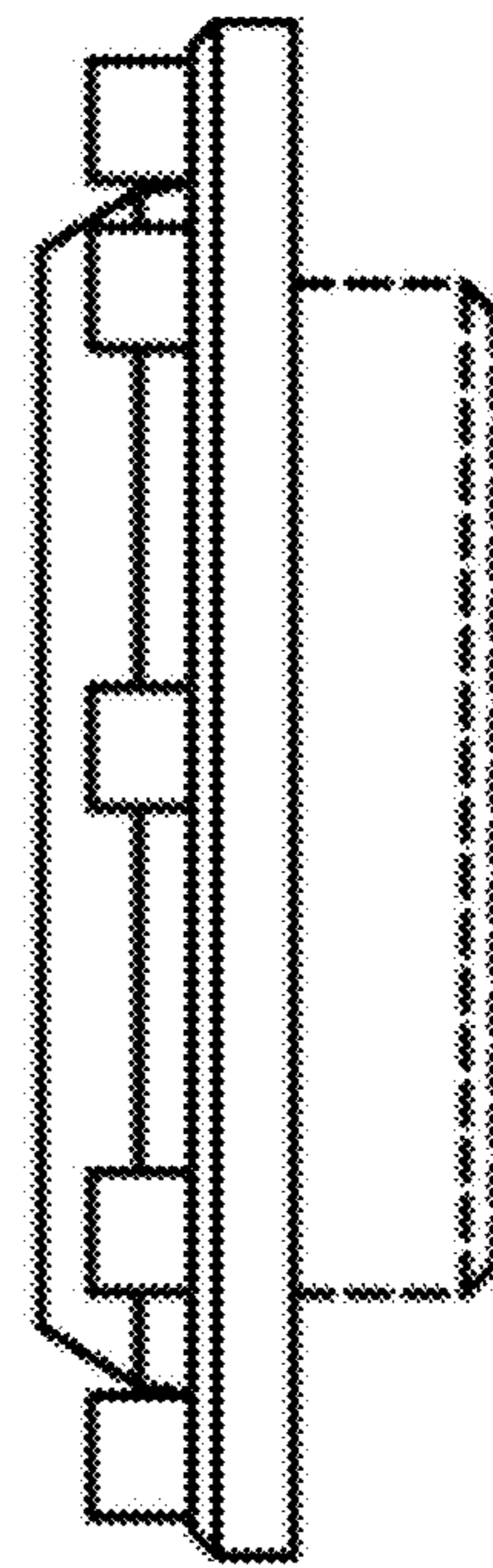


Fig. 5



Fig. 6

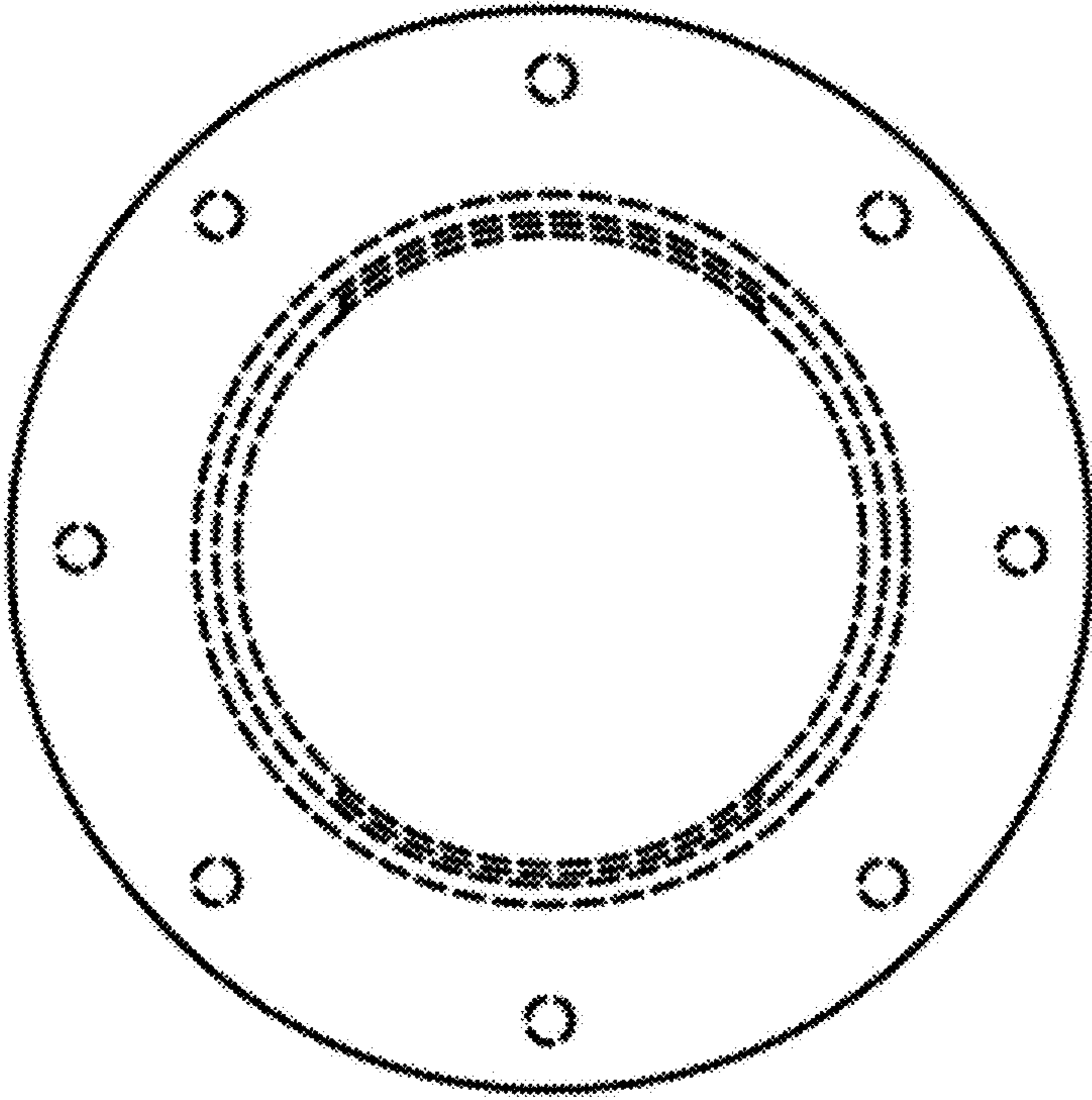


Fig. 7