



US00D723142S

(12) **United States Design Patent**  
**Casey**

(10) **Patent No.:** **US D723,142 S**

(45) **Date of Patent:** **\*\* Feb. 24, 2015**

- (54) **BASIN**
- (71) Applicant: **Michael Casey**, Smyrna, GA (US)
- (72) Inventor: **Michael Casey**, Smyrna, GA (US)
- (\*\*) Term: **14 Years**
- (21) Appl. No.: **29/472,804**
- (22) Filed: **Nov. 15, 2013**
- (51) **LOC (10) Cl.** ..... **23-02**
- (52) **U.S. Cl.**  
USPC ..... **D23/293.1**
- (58) **Field of Classification Search**  
USPC ..... D23/284–286, 292–293.1, 303, 308;  
4/619, 630, 638, 640, 650, 661  
See application file for complete search history.

- D530,800 S \* 10/2006 Hisey ..... D23/293.1
- D531,287 S \* 10/2006 Bates ..... D23/293.1
- D537,924 S \* 3/2007 Bates ..... D23/293.1
- D560,778 S \* 1/2008 Paterson ..... D23/293.1
- D594,097 S \* 6/2009 Toyohara ..... D23/293.1
- D624,164 S \* 9/2010 Kakahana et al. .... D23/293.1
- D656,593 S \* 3/2012 Stauffer ..... D23/293.1

\* cited by examiner

*Primary Examiner* — Robert Delehanty  
(74) *Attorney, Agent, or Firm* — Laurence P. Colton; Smith  
Risley Tempel Santos LLC

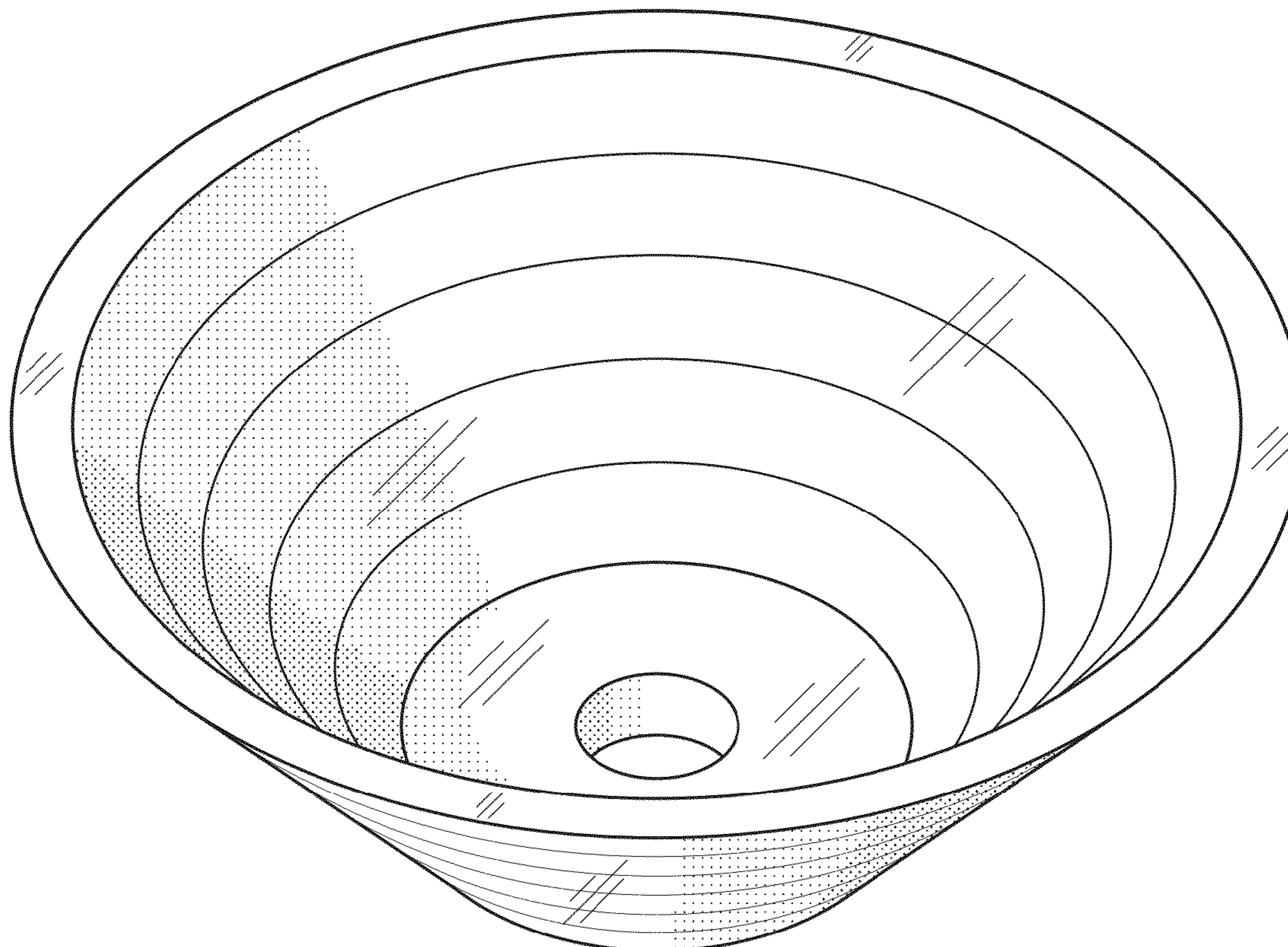
(57) **CLAIM**  
The ornamental design for a basin, as shown and described.

**DESCRIPTION**

FIG. 1 is a perspective view of a first embodiment of the basin of the present design.  
FIG. 2 is a front view of the basin of FIG. 1.  
FIG. 3 is a rear view of the basin of FIG. 1.  
FIG. 4 is a top view of the basin of FIG. 1.  
FIG. 5 is a bottom view of the basin of FIG. 1.  
FIG. 6 is a right side view of the basin of FIG. 1; and,  
FIG. 7 is a left side view of the basin of FIG. 1.

**1 Claim, 7 Drawing Sheets**

- (56) **References Cited**  
U.S. PATENT DOCUMENTS  
D398,967 S \* 9/1998 Kohler et al. .... D23/284  
D433,742 S \* 11/2000 Millard et al. .... D23/293.1  
D443,049 S \* 5/2001 Kuo ..... D23/293.1  
D507,042 S \* 7/2005 Sutopo ..... D23/293.1



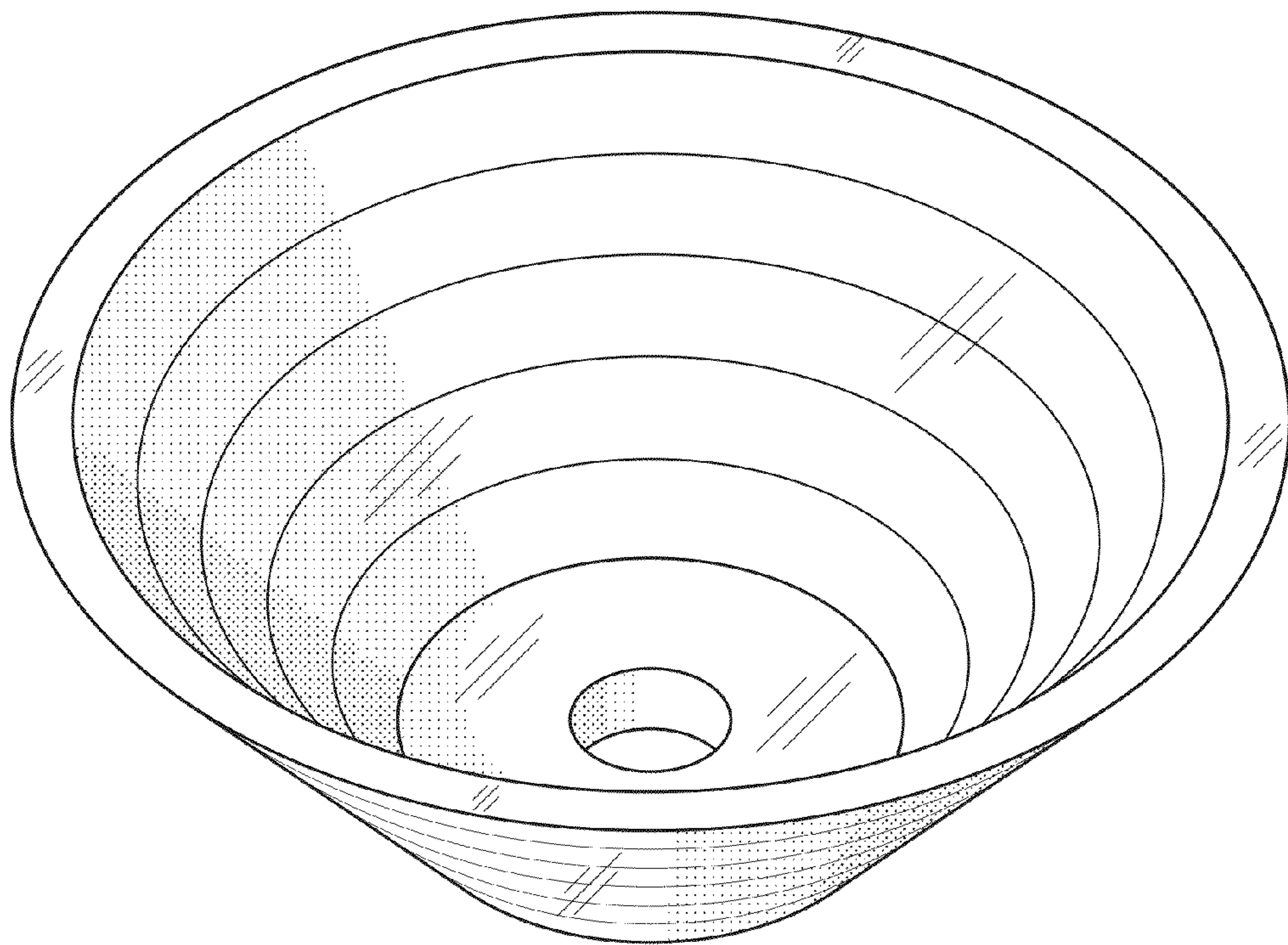


Fig. 1

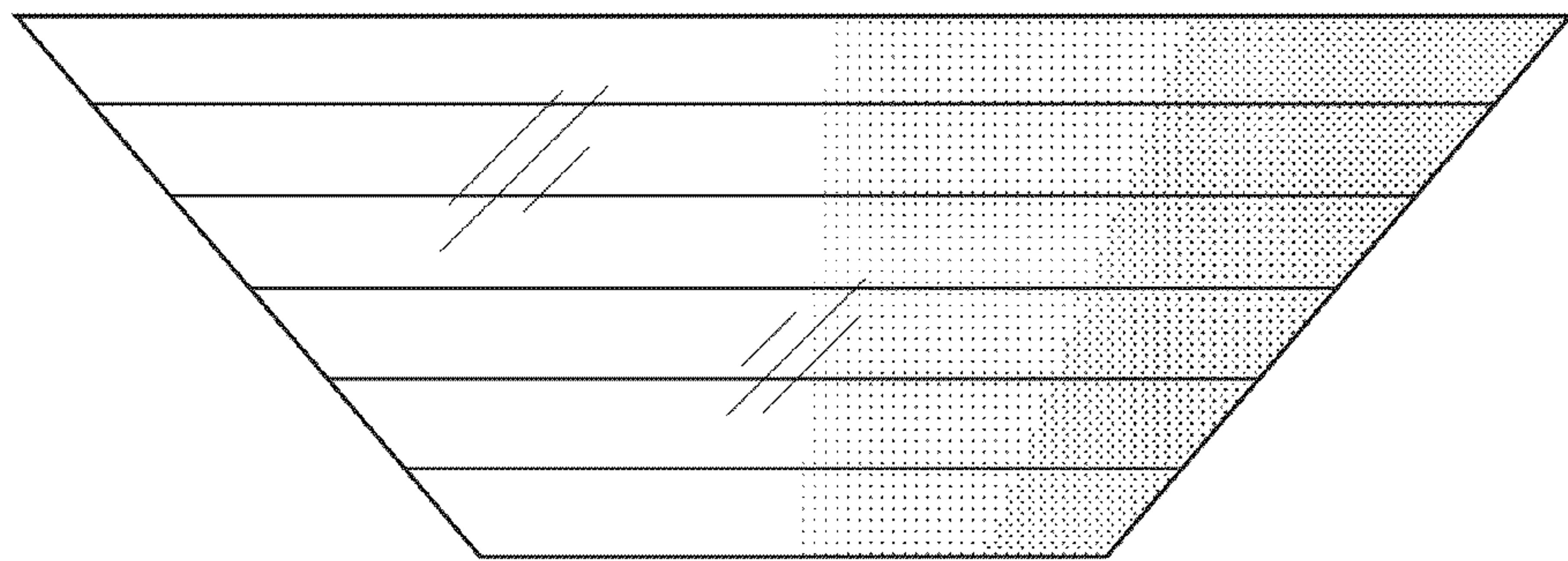


Fig. 2

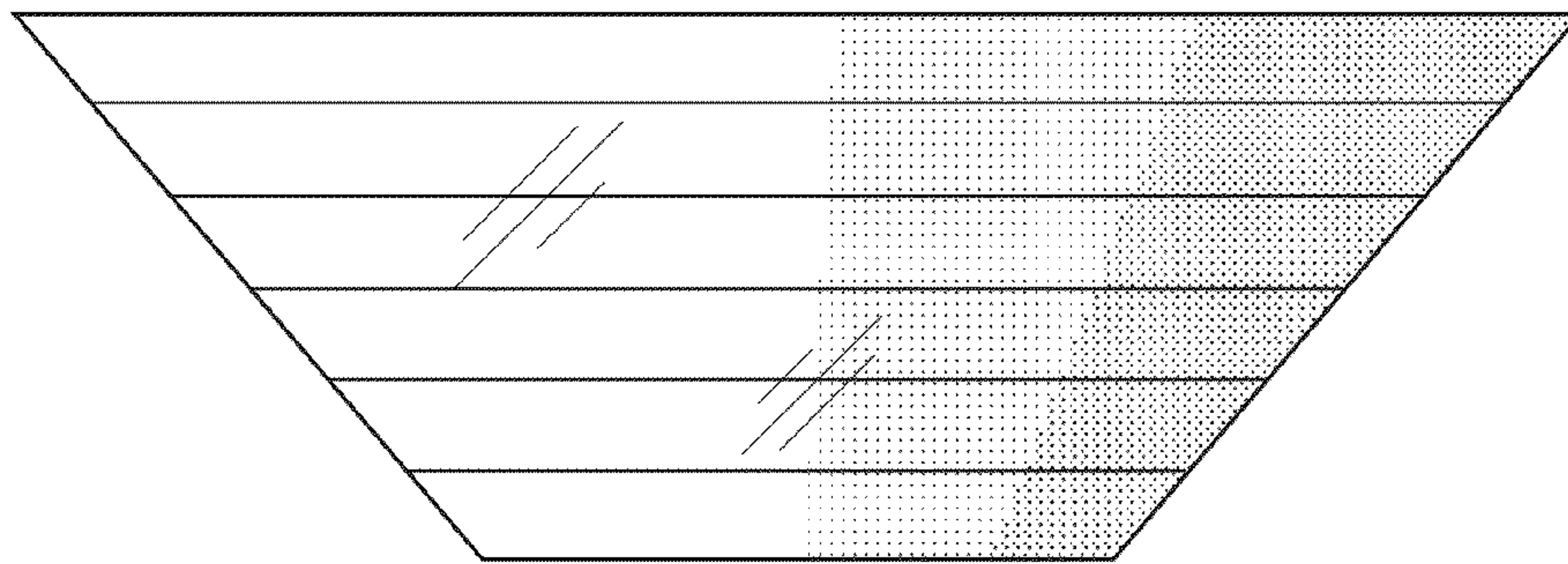


Fig. 3



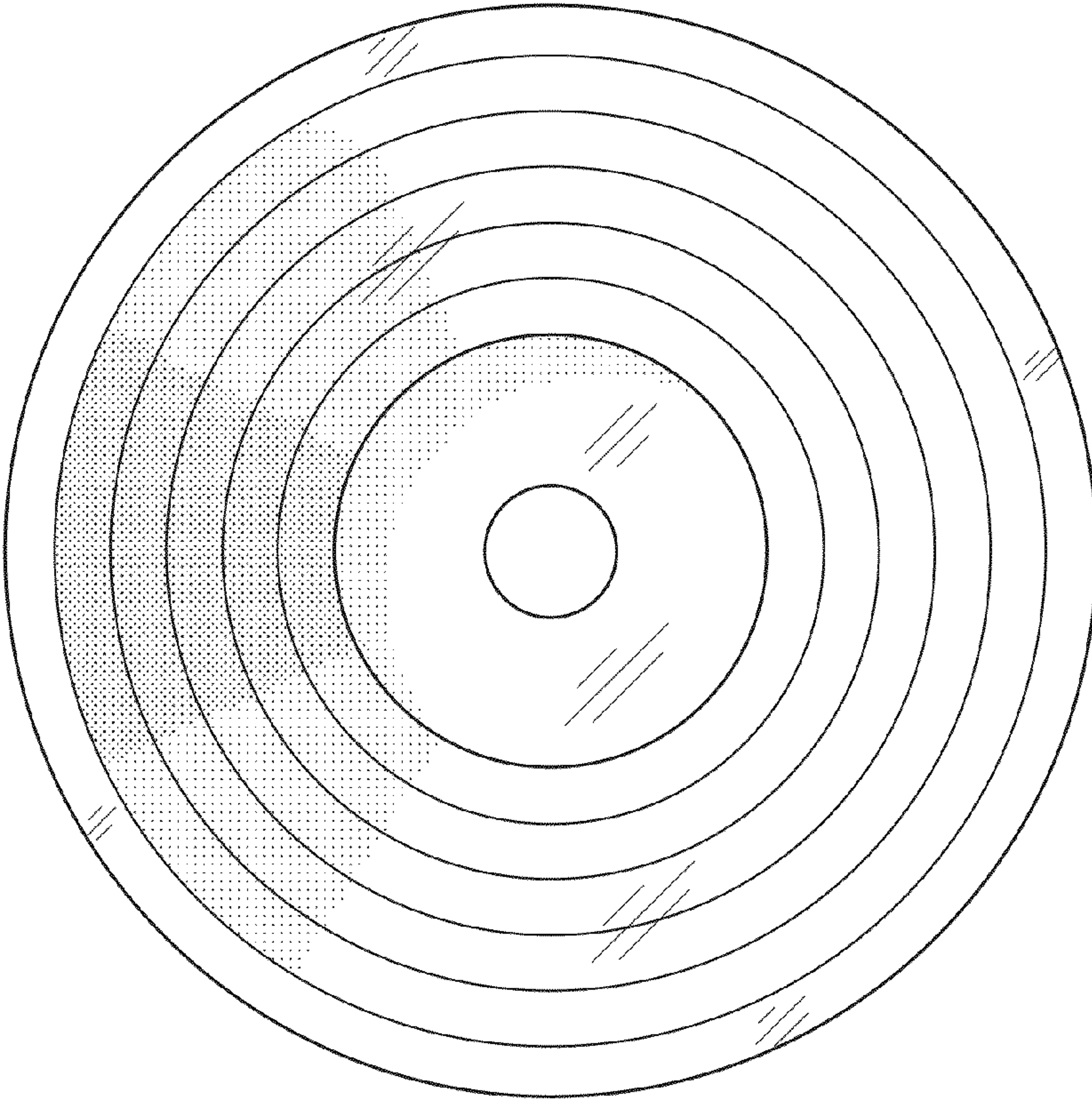


Fig. 4

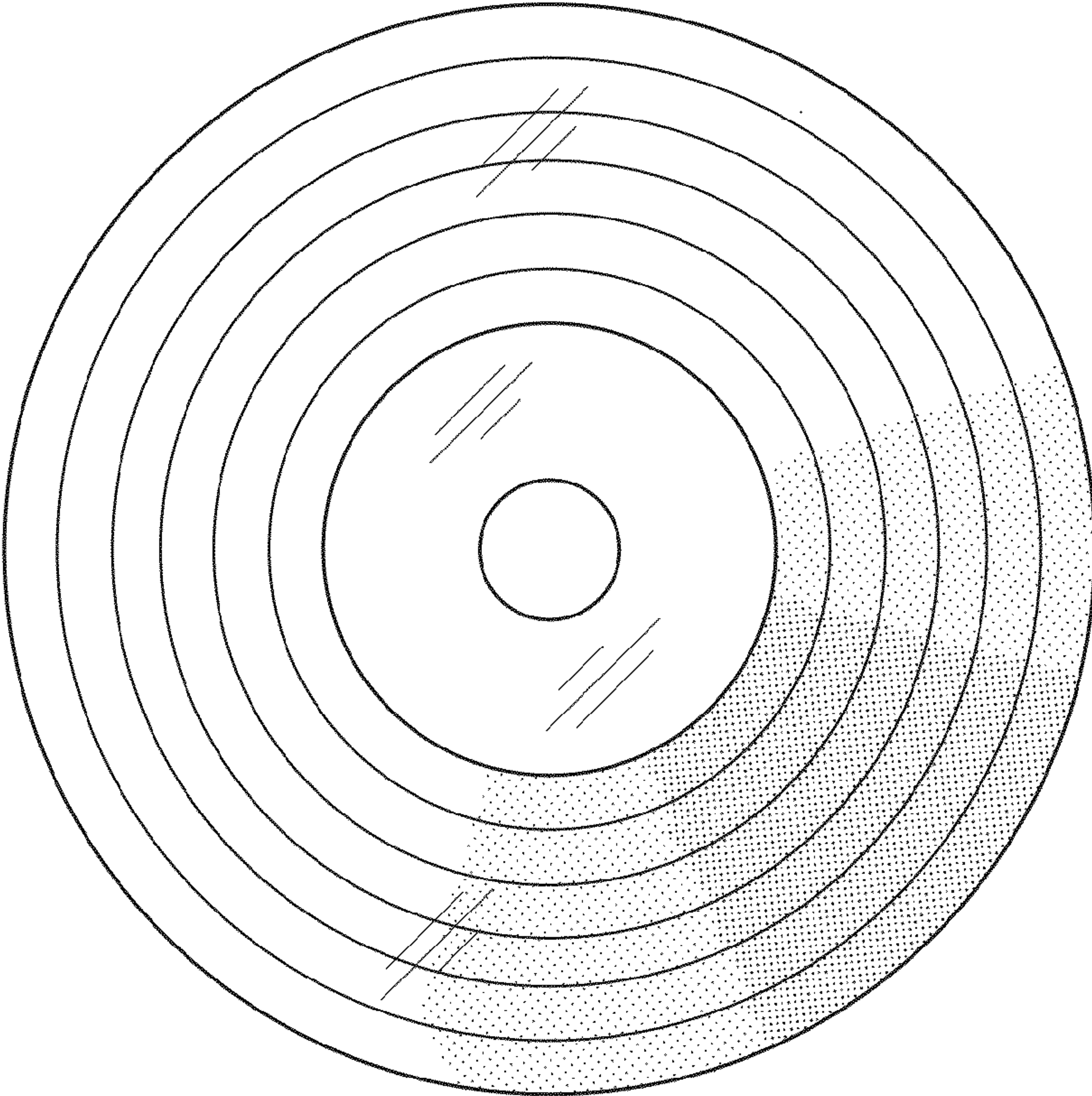


Fig. 5

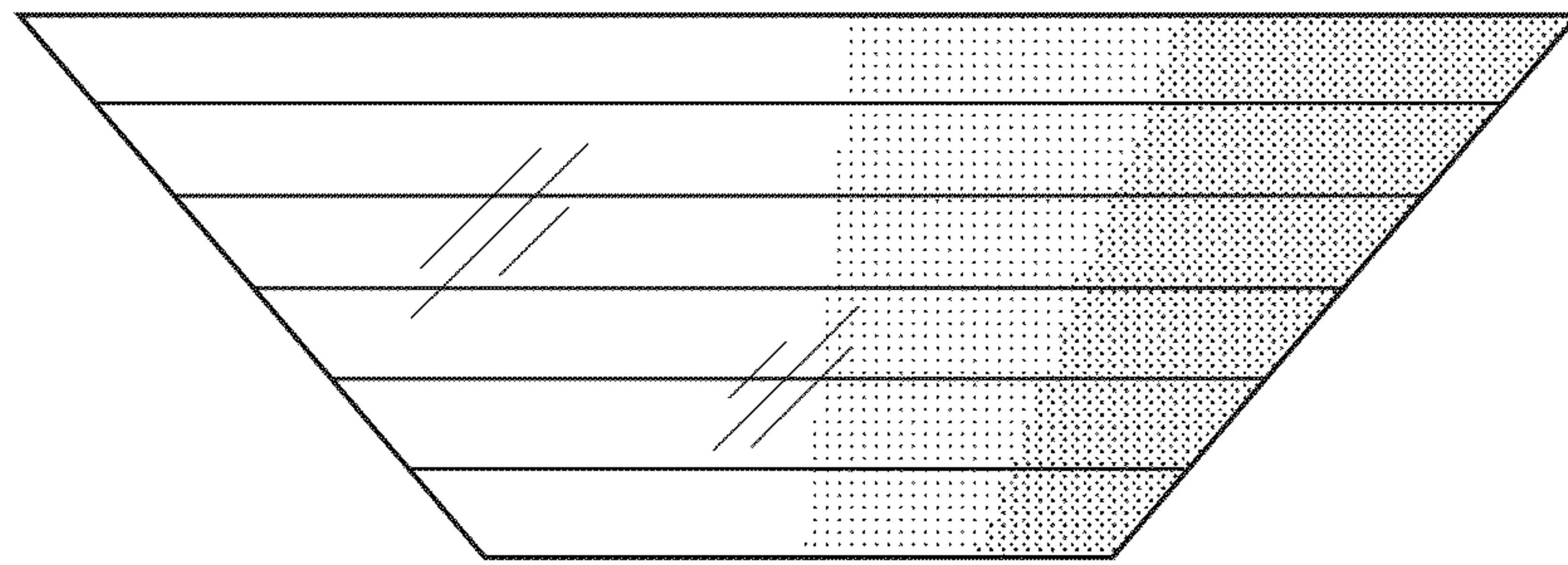


Fig. 6

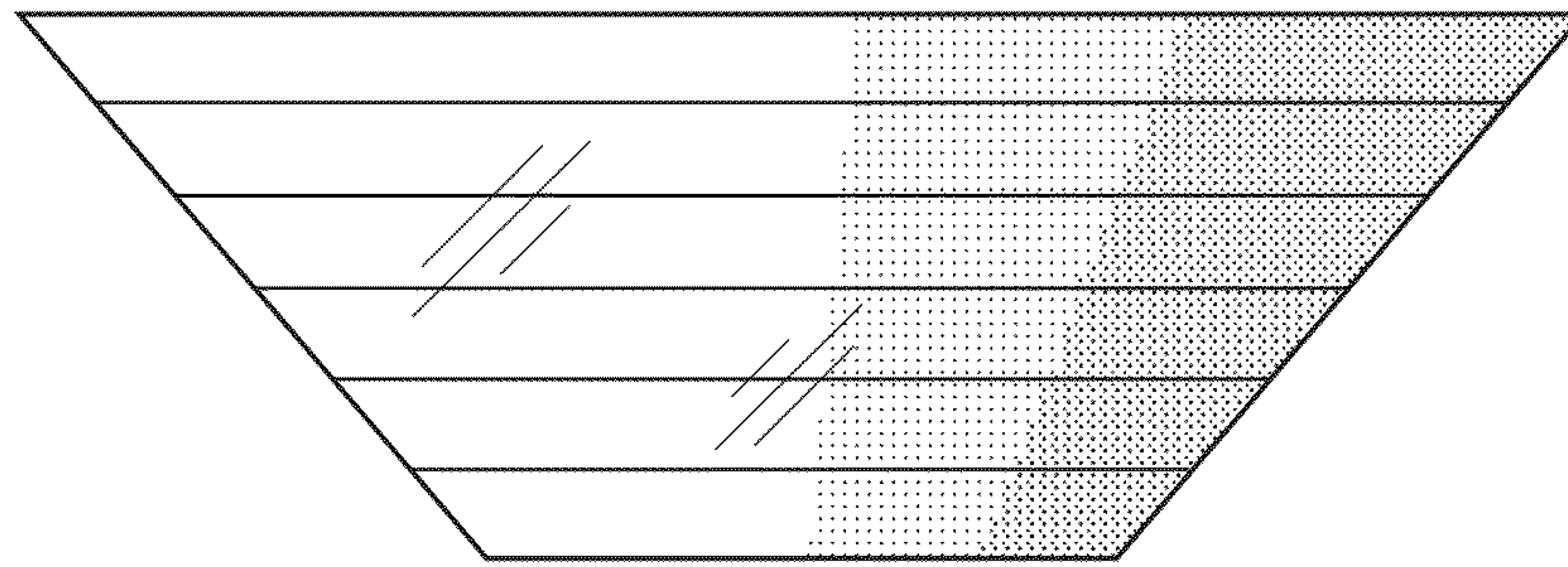


Fig. 7