



US00D723141S

(12) **United States Design Patent**
Furuno et al.

(10) **Patent No.:** **US D723,141 S**
(45) **Date of Patent:** **** Feb. 24, 2015**

- (54) **AERATION TUBE**
- (71) Applicant: **Mitsubishi Rayon Co., Ltd.**, Tokyo (JP)
- (72) Inventors: **Shinsuke Furuno**, Toyohashi (JP);
Manabu Sasakawa, Toyohashi (JP)
- (73) Assignee: **Mitsubishi Rayon Co., Ltd.** (JP)
- (**) Term: **14 Years**
- (21) Appl. No.: **29/441,915**
- (22) Filed: **Jan. 10, 2013**

- D357,970 S * 5/1995 Lupton et al. D23/213
- D375,540 S * 11/1996 McDonald D23/207
- 5,587,114 A * 12/1996 Tharp 261/124
- 5,597,264 A * 1/1997 Laak 405/36
- 5,616,288 A * 4/1997 McDonald 261/76
- D416,074 S * 11/1999 Mogg D23/214
- 5,988,943 A * 11/1999 McCord 405/36
- 6,482,627 B1 * 11/2002 Dahlstrom 435/290.2
- D648,426 S * 11/2011 Yanone et al. D23/266
- D652,123 S * 1/2012 Kleinsasser D23/266
- D675,715 S * 1/2012 Yanone et al. D23/266
- D687,925 S * 2/2013 McKenzie D23/266
- 8,500,107 B2 * 8/2013 Gill D23/213
- D705,391 S * 8/2013 Magen 261/120
- D705,391 S * 5/2014 Okazaki et al. D23/207

* cited by examiner

- (30) **Foreign Application Priority Data**
- Jul. 11, 2012 (JP) 2012-016484
- (51) **LOC (10) Cl.** **23-01**
- (52) **U.S. Cl.**
- USPC **D23/266**
- (58) **Field of Classification Search**
- USPC D23/207, 213, 223, 224, 229, 230, 259,
D23/263, 266; D24/129; D13/155;
D12/194; 138/103, 105, 109, 118,
138/118.1, 121, 122, 126, 128, 140, 154,
138/155, 157, 158, 167, 173, 177; 285/58,
285/83, 124.1, 124.5, 179, 179.1;
137/561 A
- See application file for complete search history.

Primary Examiner — Eric Goodman
Assistant Examiner — Daniel J Domino
 (74) *Attorney, Agent, or Firm* — Saidman DesignLaw Group, LLC

- (56) **References Cited**
- U.S. PATENT DOCUMENTS
- 3,109,875 A * 11/1963 Schramm et al. 261/92
- D273,804 S * 5/1984 Fueloep D23/263
- D311,053 S * 10/1990 Delepine D23/213
- 4,960,546 A * 10/1990 Tharp 261/122.1
- 5,330,688 A * 7/1994 Downs 261/122.2
- D353,873 S * 12/1994 Schoeneman D23/213

(57) **CLAIM**
 The ornamental design for an aeration tube, as shown and described.

DESCRIPTION

FIG. 1 is a perspective view of an aeration tube showing our new design;
 FIG. 2 is a front elevational view; the rear elevational view is a mirror image of the front view;
 FIG. 3 is a top plan view thereof;
 FIG. 4 is a bottom plan view thereof;
 FIG. 5 is a left side elevational view thereof; and,
 FIG. 6 is a right side elevational view thereof.
 The broken line showing is included for the purpose of illustrating portions of the article and boundaries of the claimed subject matter and forms no part of the claimed design.

1 Claim, 3 Drawing Sheets

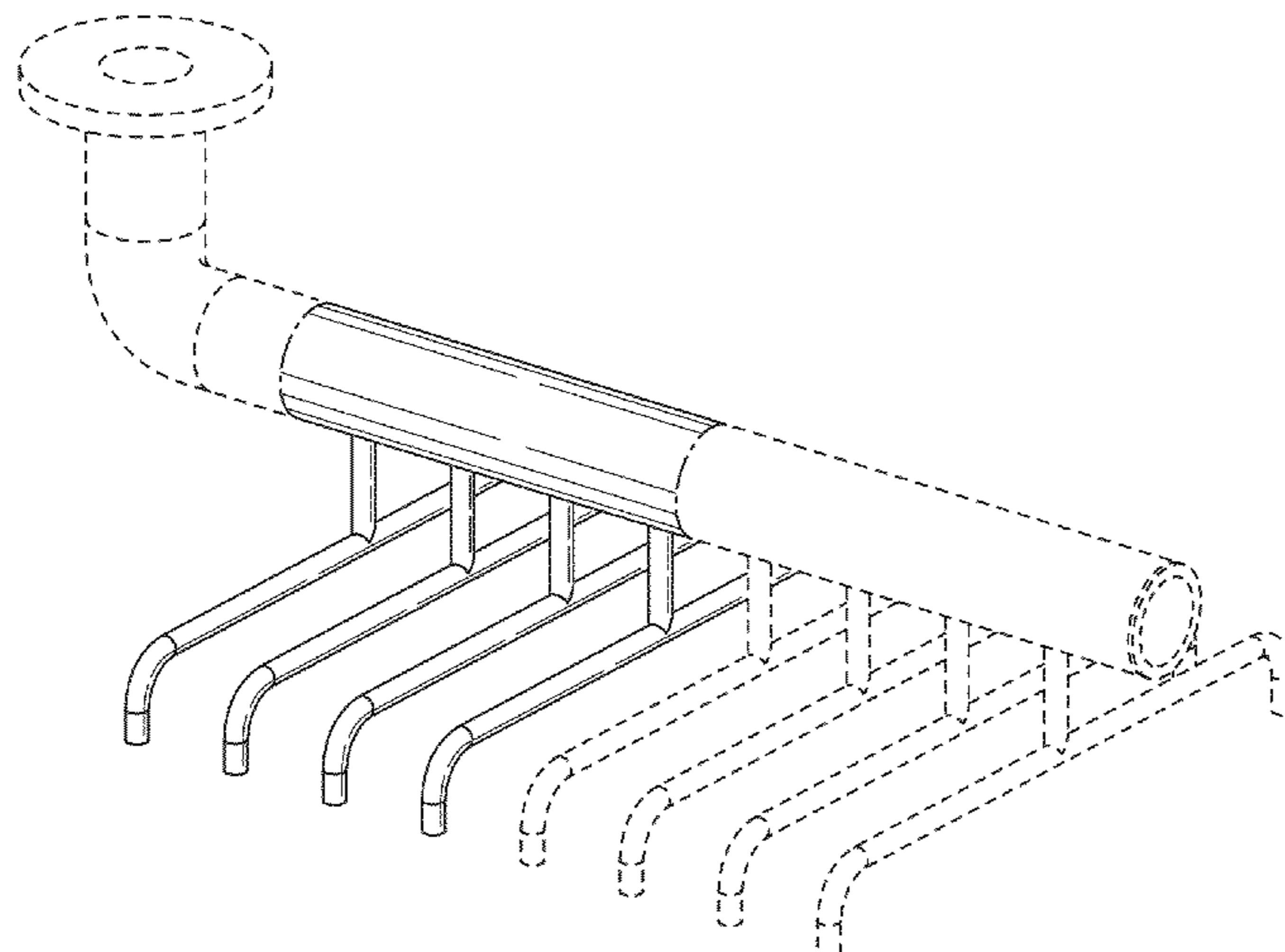


Fig.1

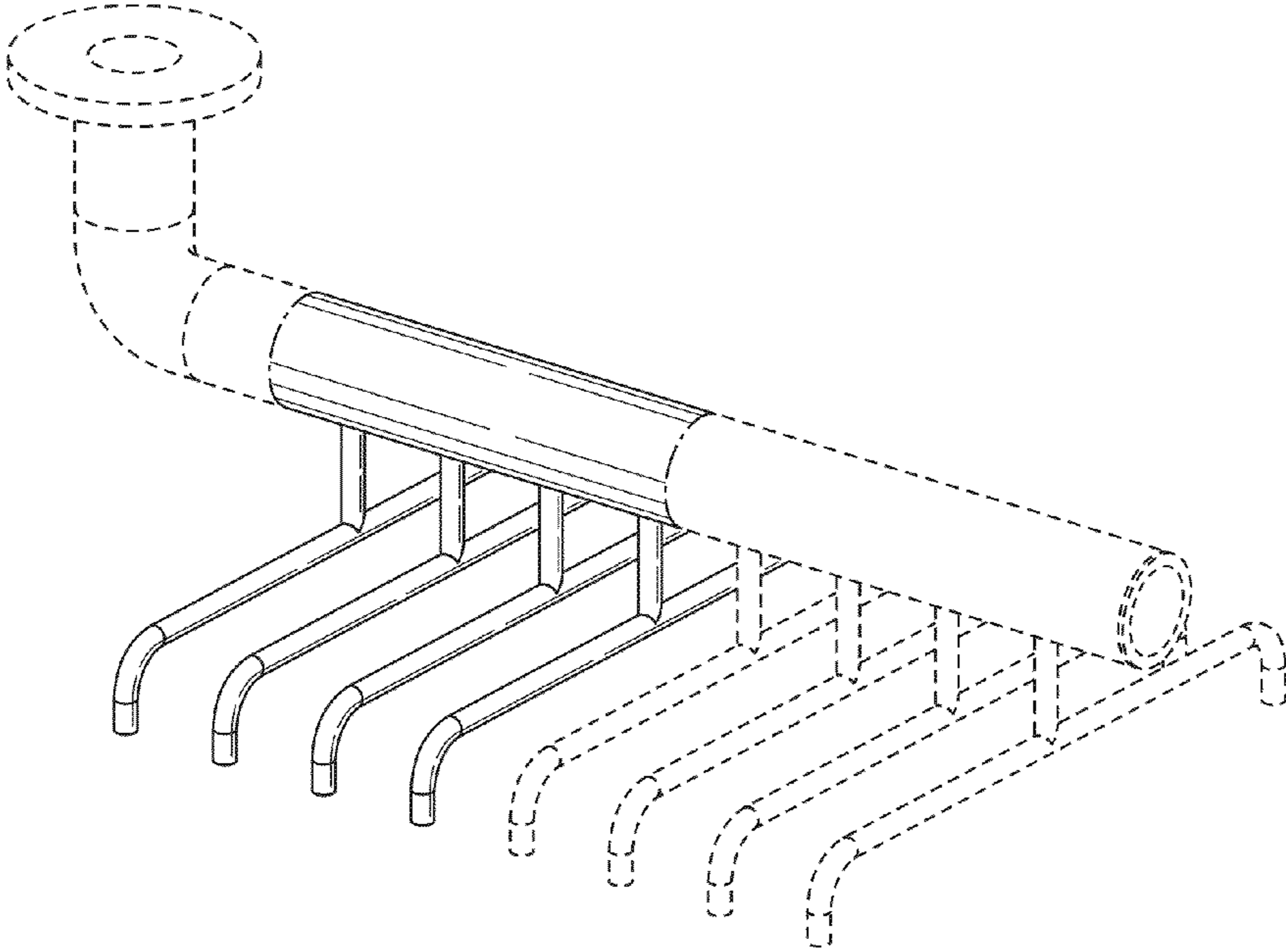


Fig.2

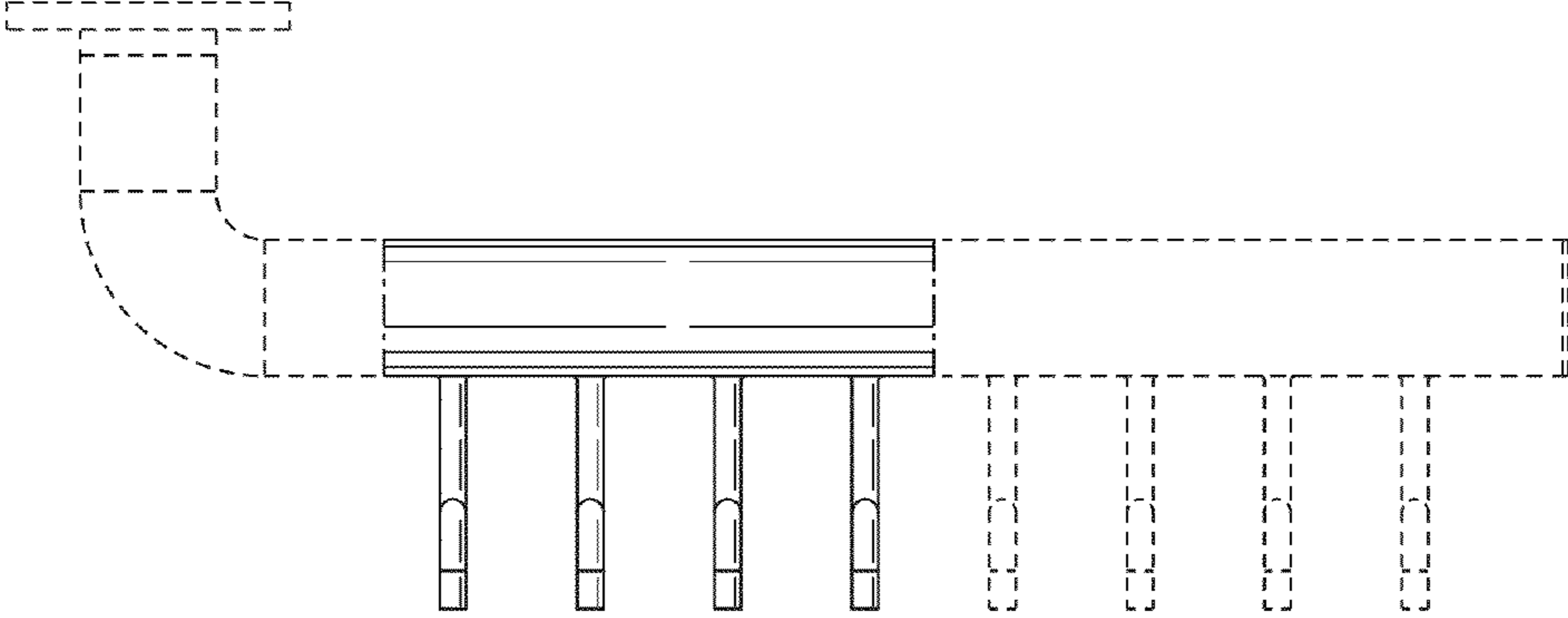


Fig.3

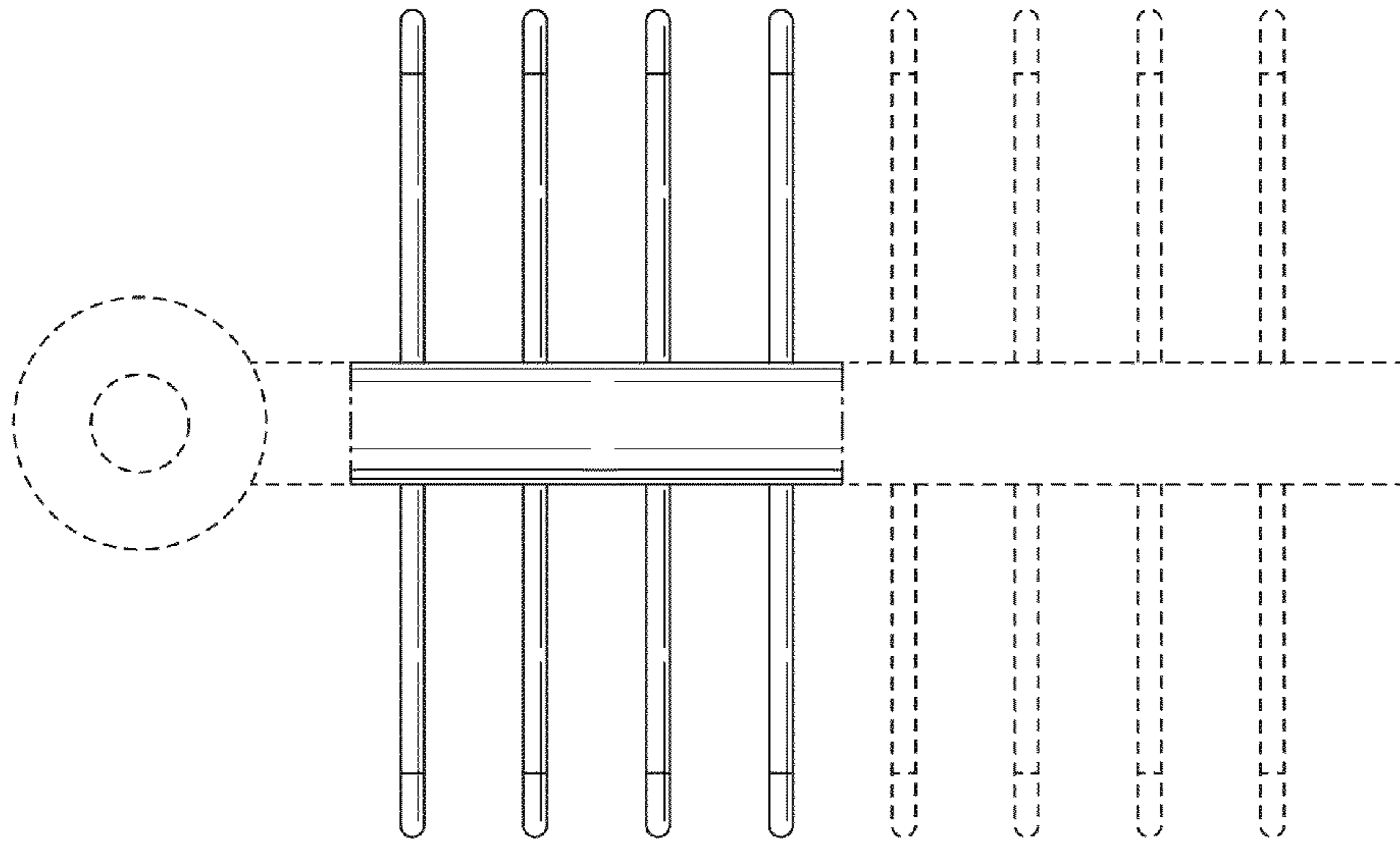


Fig.4

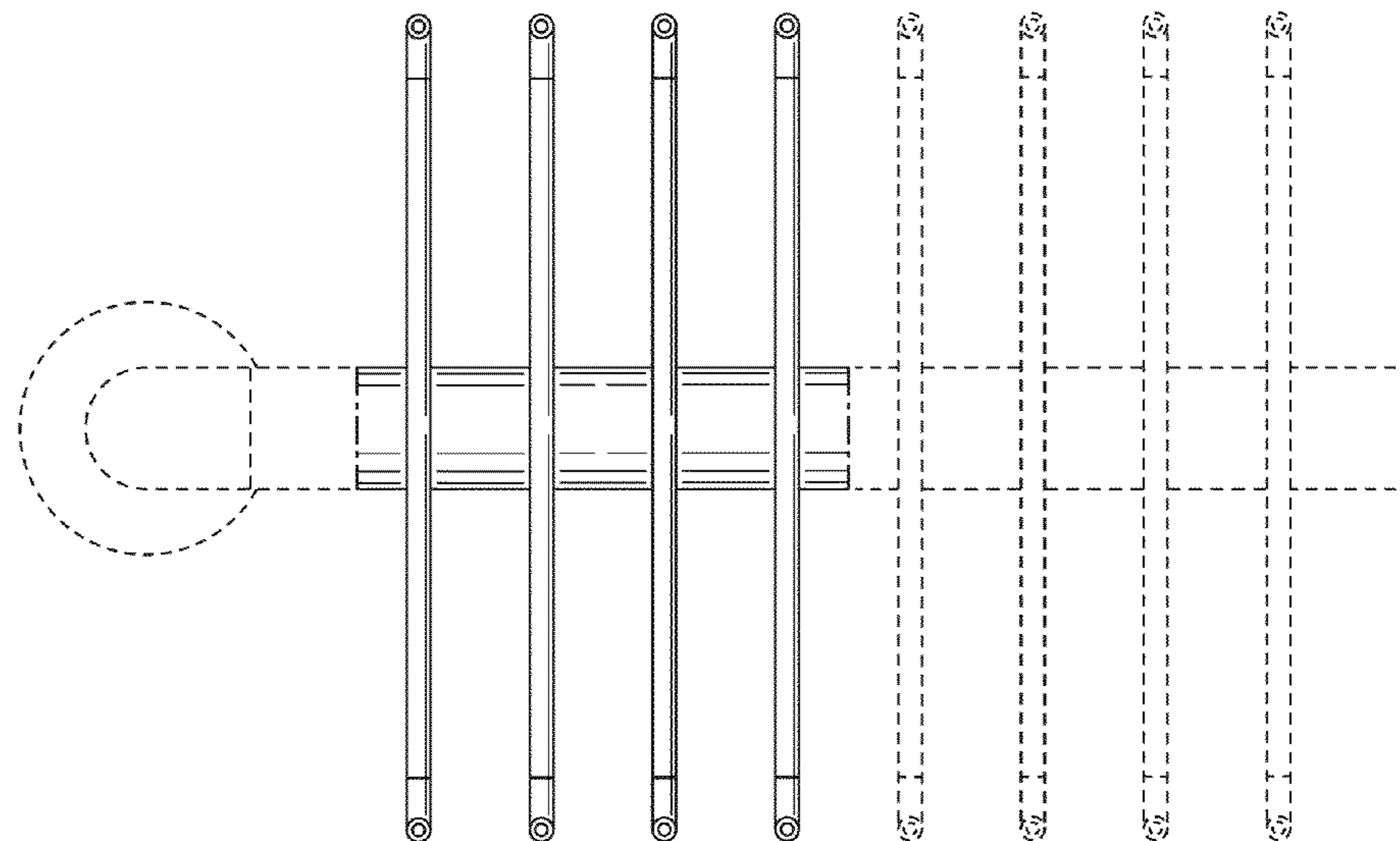


Fig.5

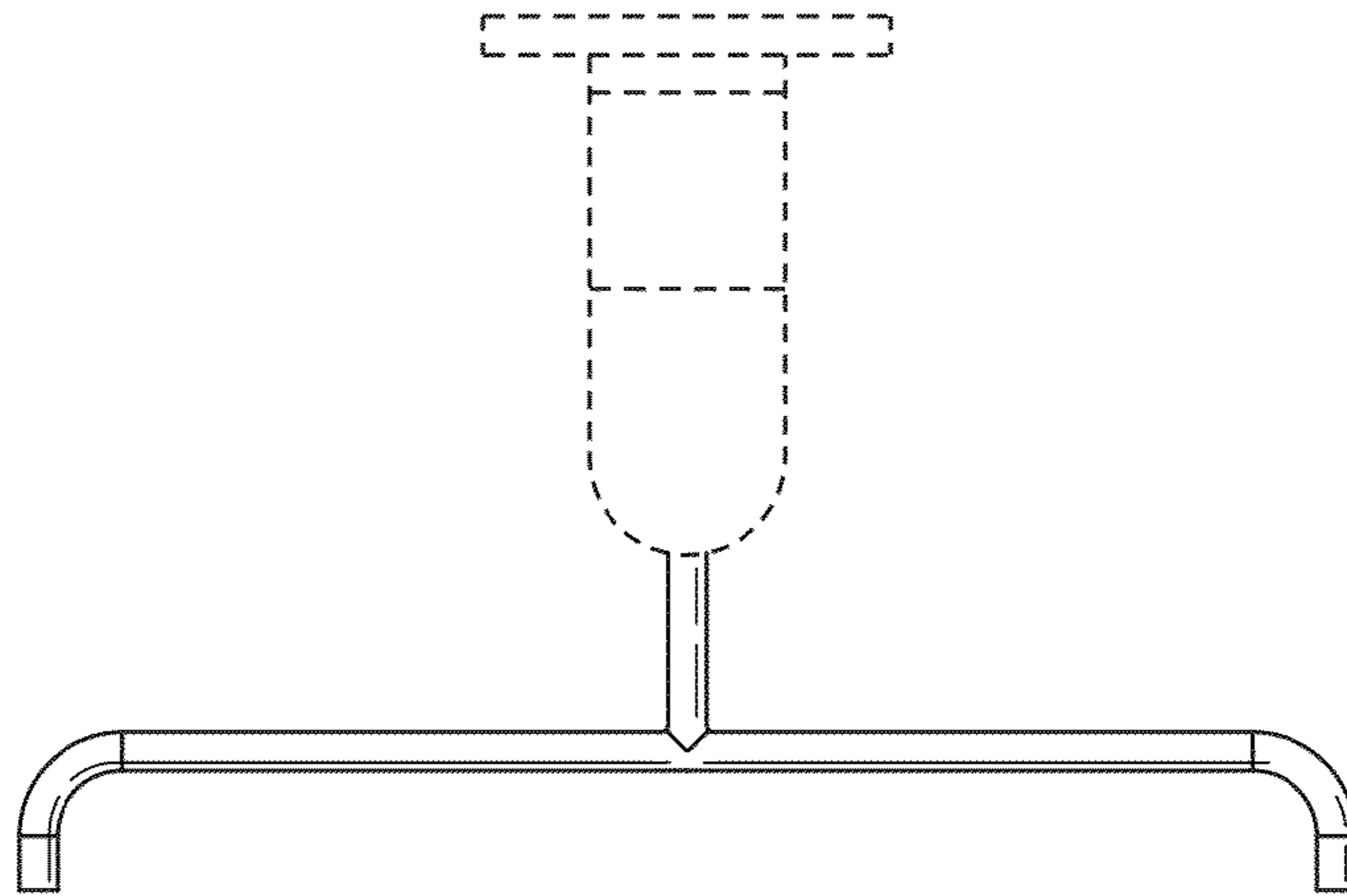


Fig.6

