



US00D723140S

(12) **United States Design Patent**
Furuno et al.

(10) **Patent No.:** **US D723,140 S**
(45) **Date of Patent:** **** Feb. 24, 2015**

- (54) **AERATION TUBE**
- (71) Applicant: **Mitsubishi Rayon Co., Ltd.**, Tokyo (JP)
- (72) Inventors: **Shinsuke Furuno**, Toyohashi (JP);
Manabu Sasakawa, Toyohashi (JP)
- (73) Assignee: **Mitsubishi Rayon Co., Ltd.** (JP)
- (**) Term: **14 Years**
- (21) Appl. No.: **29/441,911**
- (22) Filed: **Jan. 10, 2013**

D357,970	S	*	5/1995	Lupton et al.	D23/213
D375,540	S	*	11/1996	McDonald	D23/207
5,587,114	A	*	12/1996	Tharp	261/124
5,597,264	A	*	1/1997	Laak	405/36
5,616,288	A	*	4/1997	McDonald	261/76
D416,074	S	*	11/1999	Mogg	D23/214
5,988,943	A	*	11/1999	McCord	405/36
6,482,627	B1	*	11/2002	Dahlstrom	435/290.2
D648,426	S	*	11/2011	Yanone et al.	D23/266
D652,123	S	*	1/2012	Kleinsasser	D23/266
D652,900	S	*	1/2012	Yanone et al.	D23/266
D675,715	S	*	2/2013	McKenzie	D23/266
D687,925	S	*	8/2013	Gill	D23/213
8,500,107	B2	*	8/2013	Magen	261/120
D705,391	S	*	5/2014	Okazaki et al.	D23/207

* cited by examiner

- (30) **Foreign Application Priority Data**
- Jul. 11, 2012 (JP) 2012-016487
- (51) **LOC (10) Cl.** **23-01**
- (52) **U.S. Cl.**
- USPC **D23/266**
- (58) **Field of Classification Search**
- USPC D23/207, 213, 223, 224, 229, 230, 259,
D23/263, 266; D24/129; D13/155;
D12/194; 138/103, 105, 109, 118,
138/118.1, 121, 122, 126, 128, 140, 154,
138/155, 157, 158, 167, 173, 177; 285/58,
285/83, 124.1, 124.5, 179, 179.1;
137/561 A
- See application file for complete search history.

Primary Examiner — Eric Goodman
Assistant Examiner — Daniel J Domino
 (74) *Attorney, Agent, or Firm* — Saidman DesignLaw Group, LLC

(57) **CLAIM**
 The ornamental design for an aeration tube, as shown and described.

DESCRIPTION

FIG. 1 is a perspective view of an aeration tube showing our new design;
 FIG. 2 is a front elevational view; the rear elevational view is a mirror image of the front view;
 FIG. 3 is a top plan view thereof;
 FIG. 4 is a bottom plan view thereof;
 FIG. 5 is a left side elevational view thereof; and,
 FIG. 6 is a right side elevational view thereof.
 The broken line showing is included for the purpose of illustrating portions of the article and boundaries of the claimed subject matter and forms no part of the claimed design.

1 Claim, 3 Drawing Sheets

- (56) **References Cited**
- U.S. PATENT DOCUMENTS
- 3,109,875 A * 11/1963 Schramm et al. 261/92
- D273,804 S * 5/1984 Fuloep D23/263
- D311,053 S * 10/1990 Delepine D23/213
- 4,960,546 A * 10/1990 Tharp 261/122.1
- 5,330,688 A * 7/1994 Downs 261/122.2
- D353,873 S * 12/1994 Schoeneman D23/213

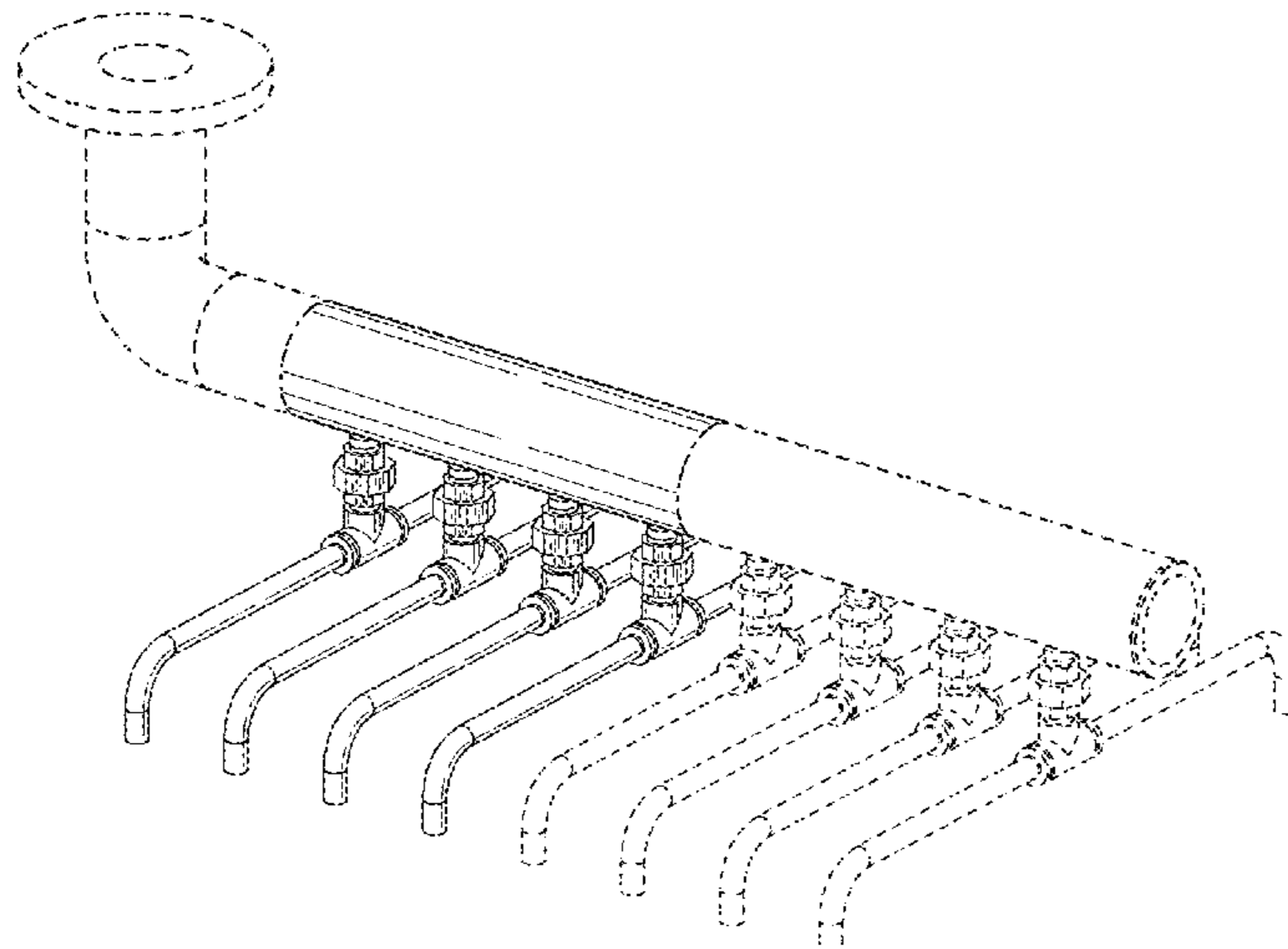


Fig.1

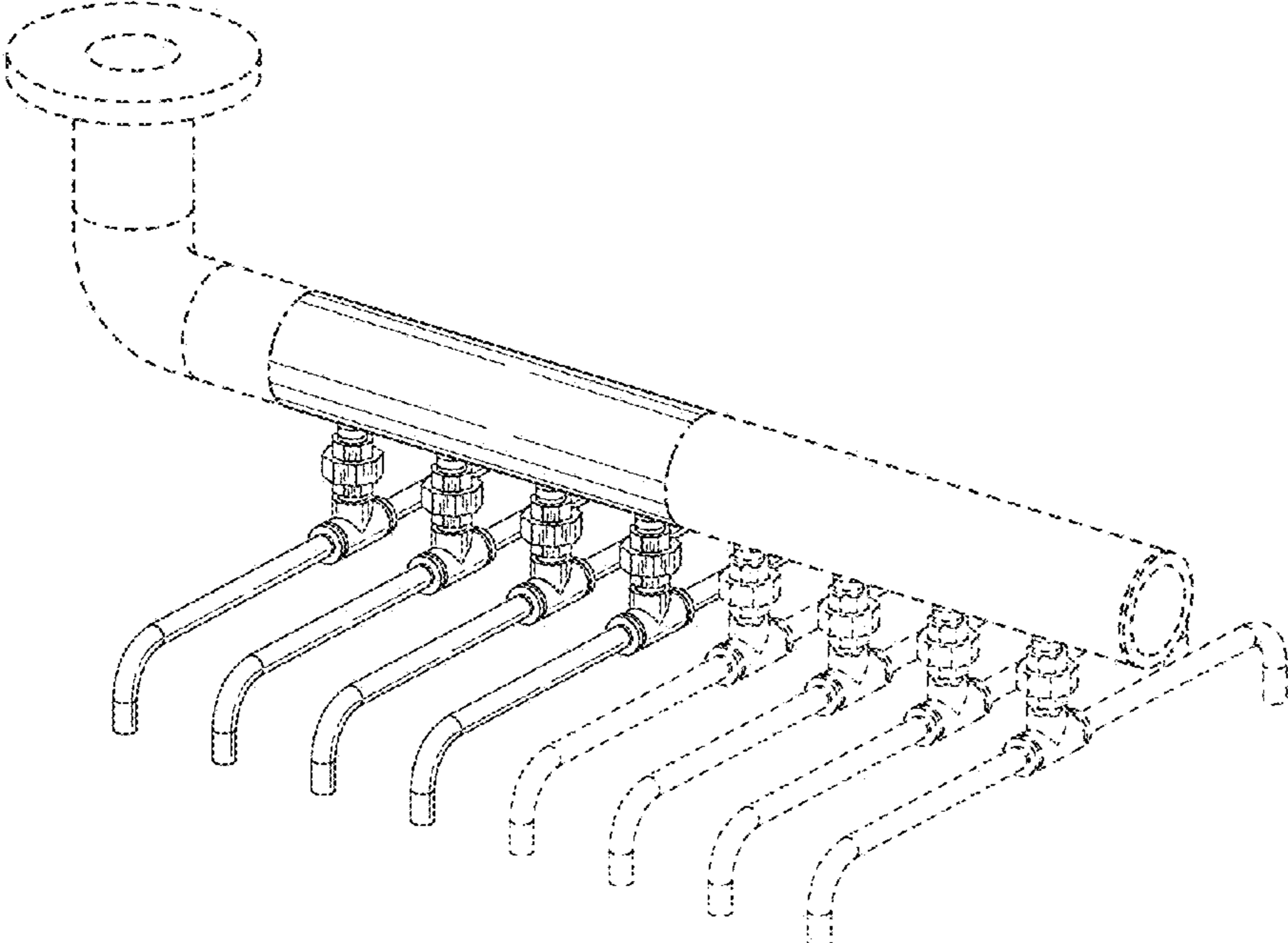


Fig.2

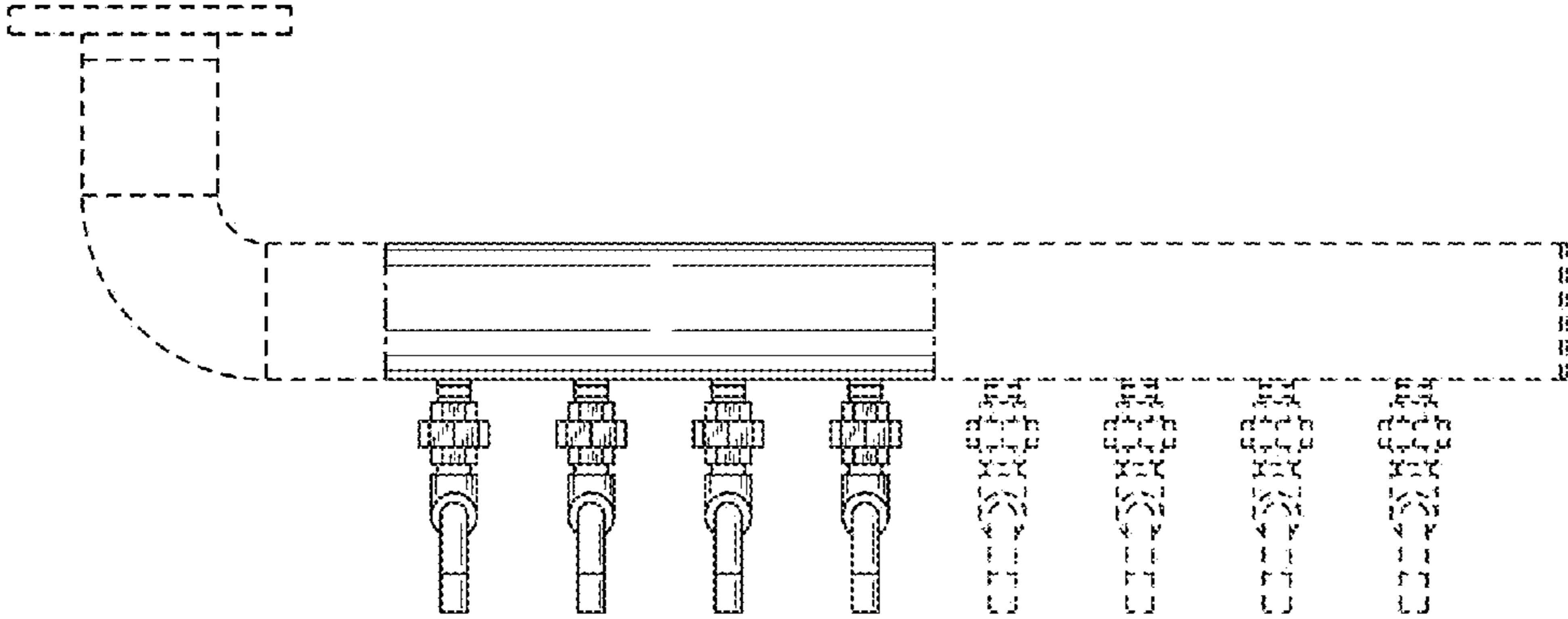


Fig.3

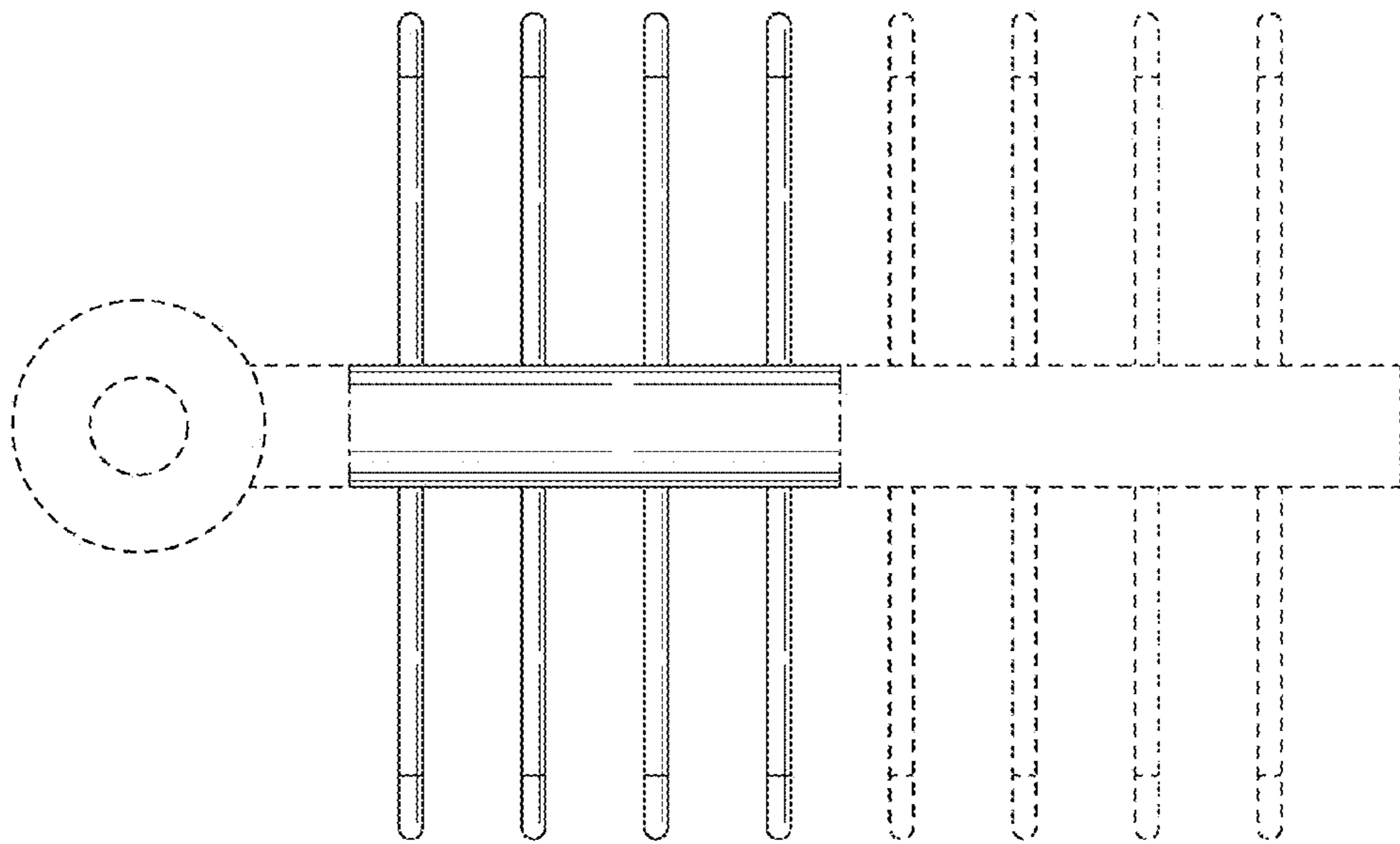


Fig.4

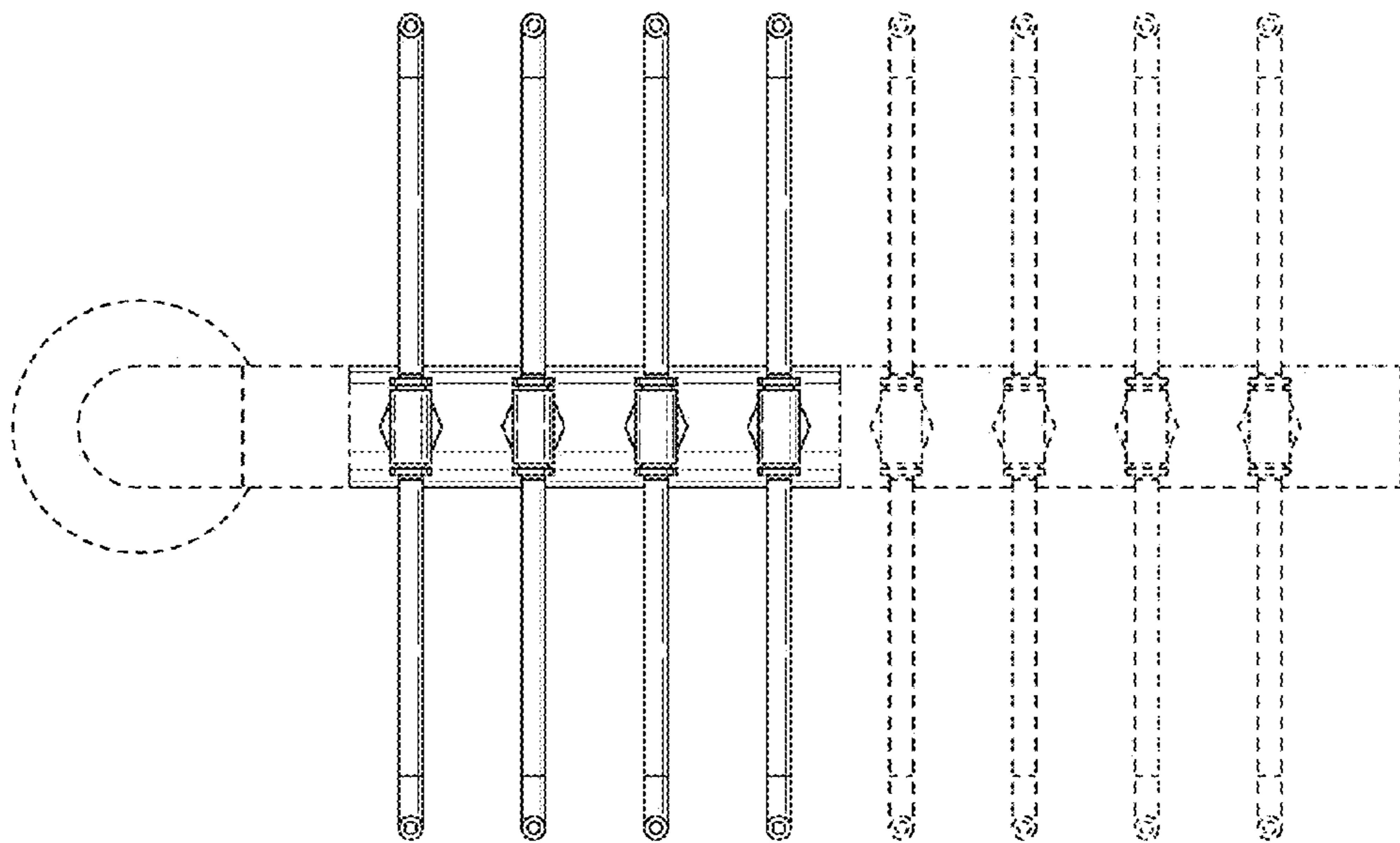


Fig.5

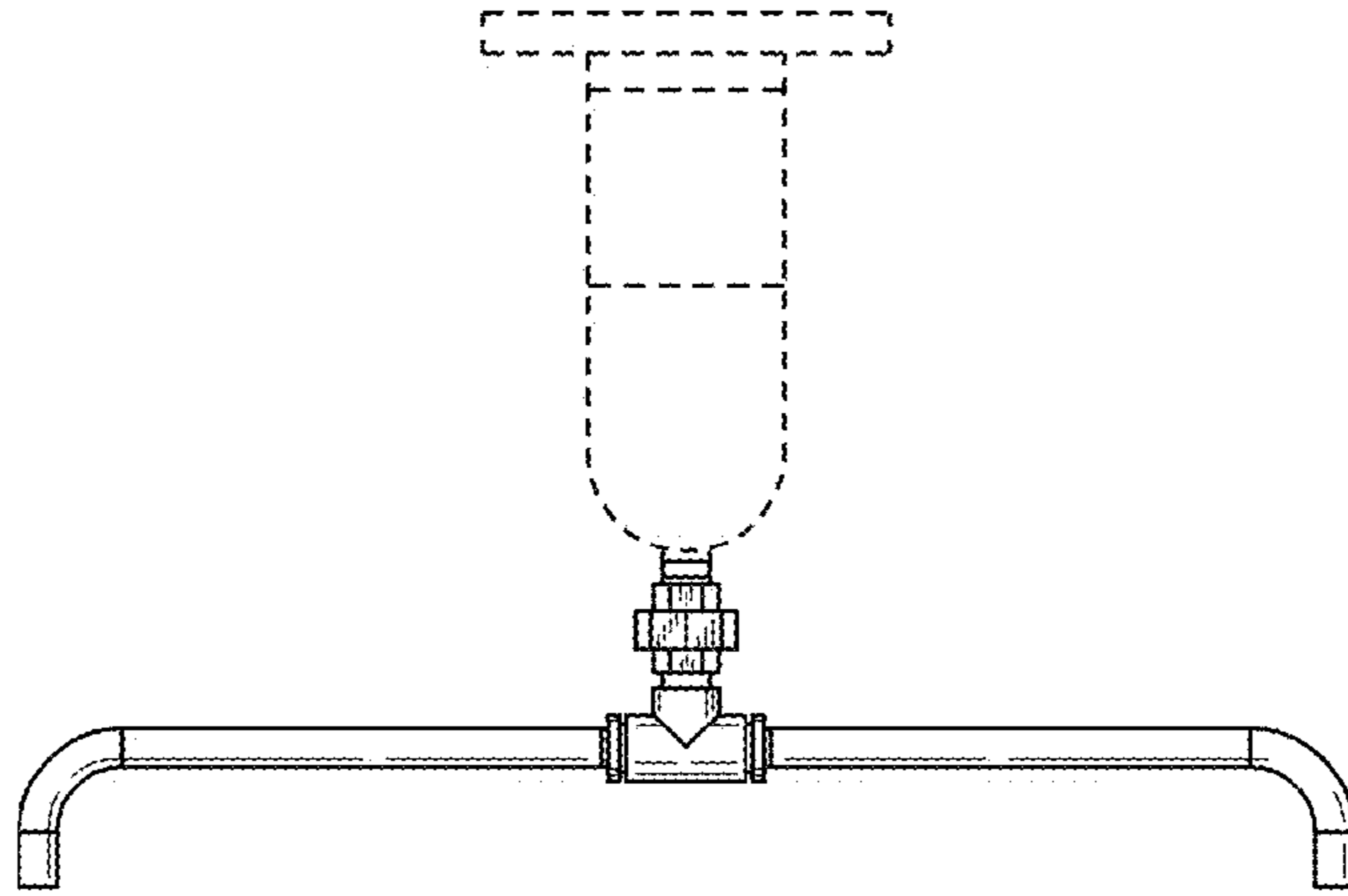


Fig.6

