



US00D723136S

(12) **United States Design Patent**
Roberts et al.

(10) **Patent No.:** **US D723,136 S**

(45) **Date of Patent:** **** Feb. 24, 2015**

(54) **SPRAY NOZZLE**

(71) Applicants: **Karen Roberts**, Basel (CH); **Roderick Justin Burke**, Fulbourn (GB); **Trevor Swan**, Longstanton (GB)

(72) Inventors: **Karen Roberts**, Basel (CH); **Roderick Justin Burke**, Fulbourn (GB); **Trevor Swan**, Longstanton (GB)

(73) Assignee: **Syngenta Participations AG**, Basel (CH)

(**) Term: **14 Years**

(21) Appl. No.: **29/443,669**

(22) Filed: **Jan. 21, 2013**

(51) **LOC (10) Cl.** **23-01**

(52) **U.S. Cl.**
USPC **D23/213**

(58) **Field of Classification Search**
USPC D23/213; D32/17; 15/320-322, 415.1;
68/222; 239/602
See application file for complete search history.

(56) **References Cited**

U.S. PATENT DOCUMENTS

3,214,102 A * 10/1965 Meyer 239/107
3,253,789 A * 5/1966 Witte 239/533.13

3,433,416 A * 3/1969 Kohler et al. 239/284.1
6,360,969 B1 * 3/2002 Egner-Walter et al. 239/284.1
6,371,392 B1 * 4/2002 Steinman 239/602
6,712,293 B2 3/2004 Swan
8,490,895 B2 * 7/2013 Jaworski et al. 239/472

* cited by examiner

Primary Examiner — Robin V Webster

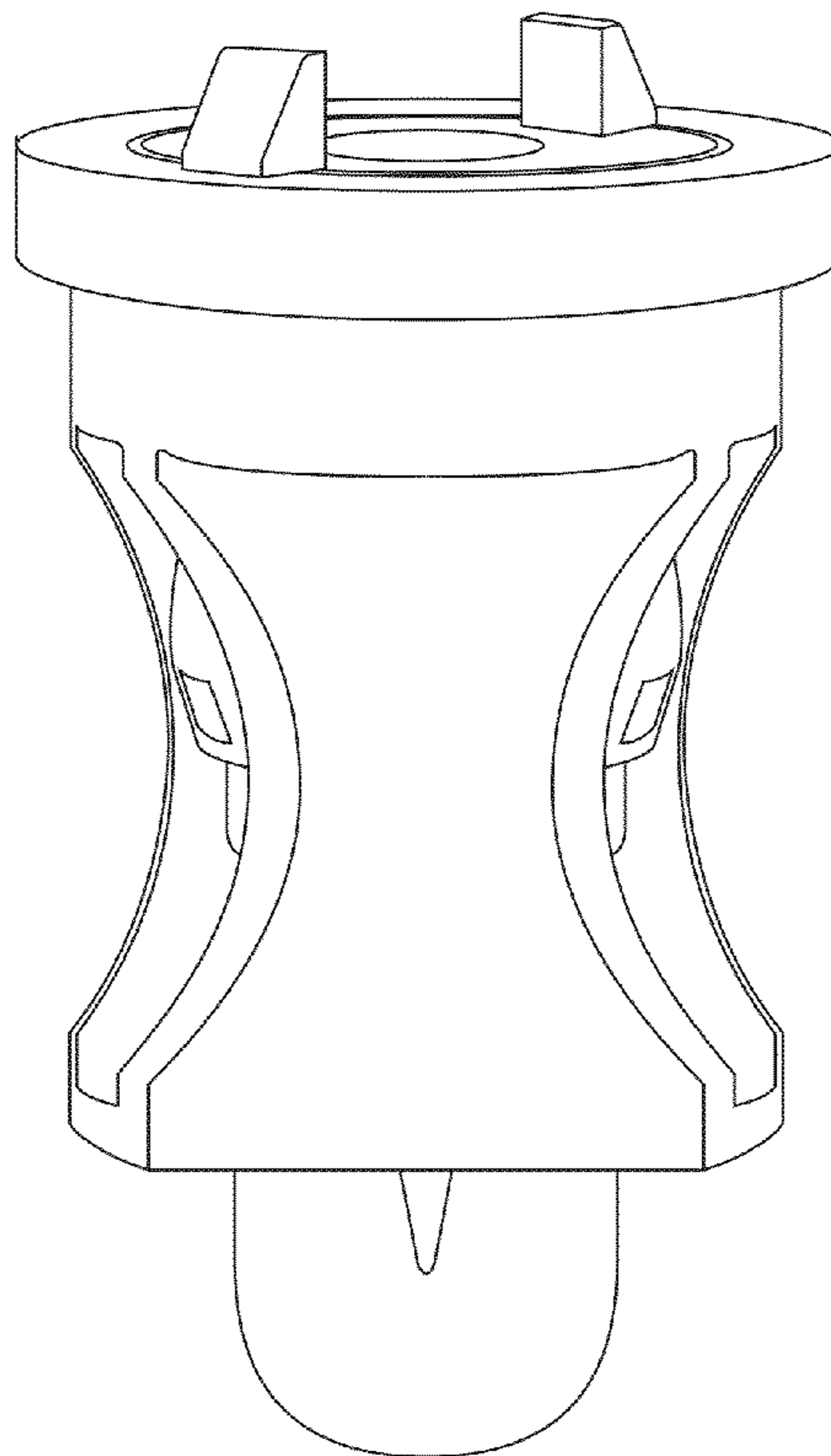
(74) *Attorney, Agent, or Firm* — William A. Teoli, Jr.

(57) **CLAIM**
The ornamental design for a spray nozzle, as shown.

DESCRIPTION

FIG. 1 is a front perspective view of the spray nozzle showing our new design;
FIG. 2 is a right side view in elevation of the spray nozzle shown in FIG. 1;
FIG. 3 is a left side view in elevation of the spray nozzle shown in FIG. 1;
FIG. 4 is a front view in elevation of the spray nozzle shown in FIG. 1;
FIG. 5 is a back view in elevation of the spray nozzle shown in FIG. 1;
FIG. 6 is a top plan view of the spray nozzle shown in FIG. 1; and,
FIG. 7 is a bottom plan view of the spray nozzle shown in FIG. 1.

1 Claim, 6 Drawing Sheets



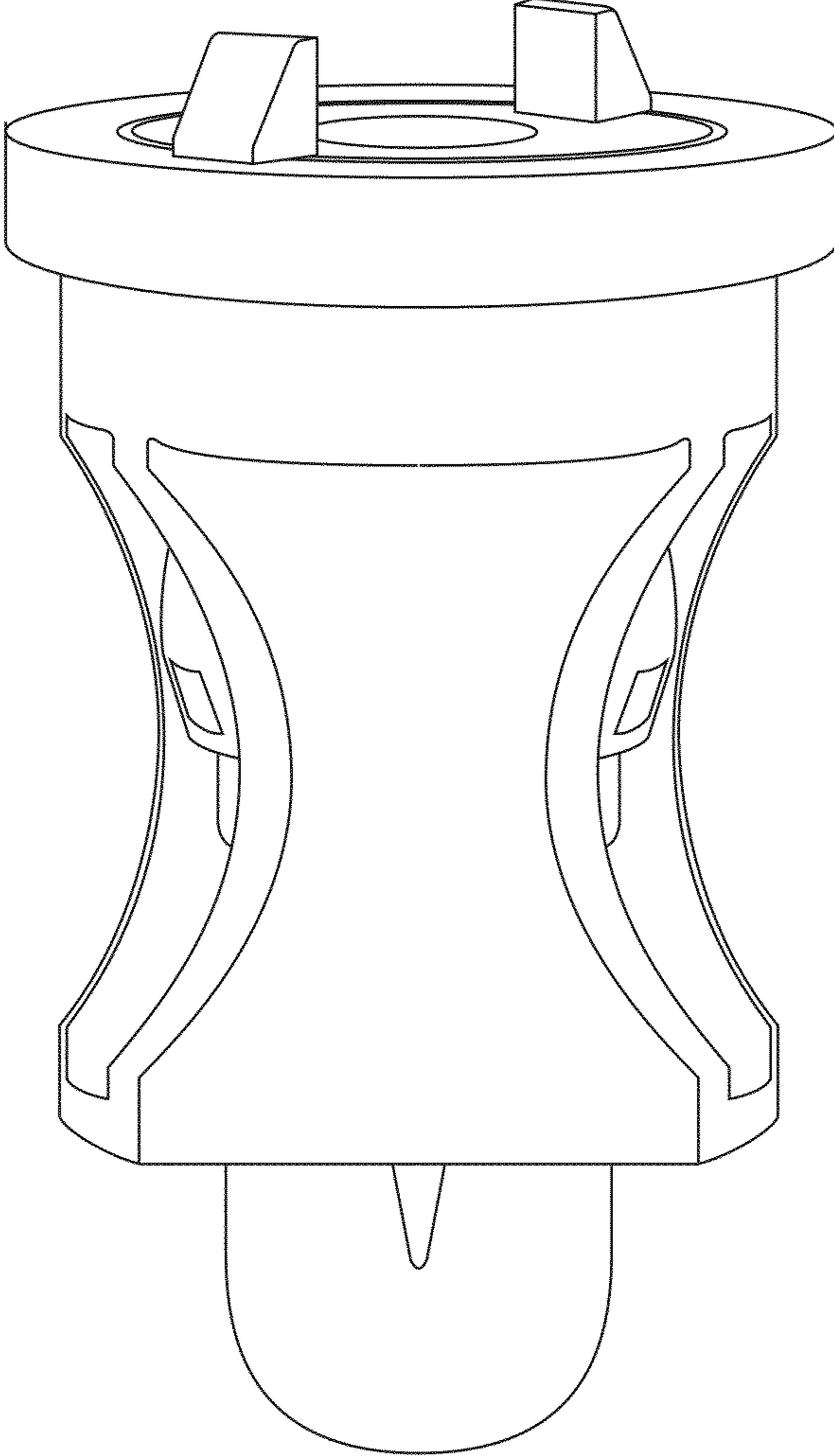


FIG. 1

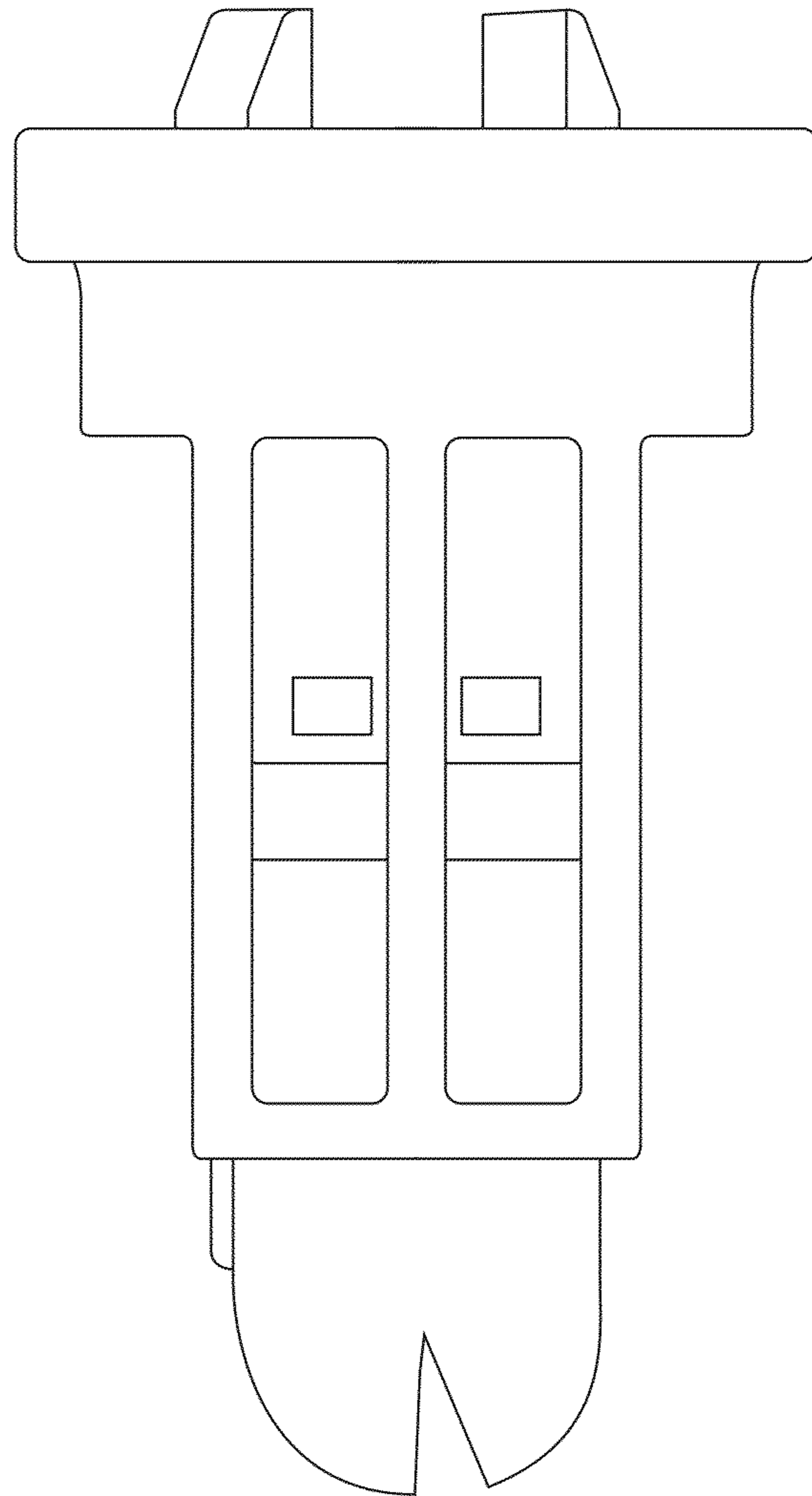


FIG. 2

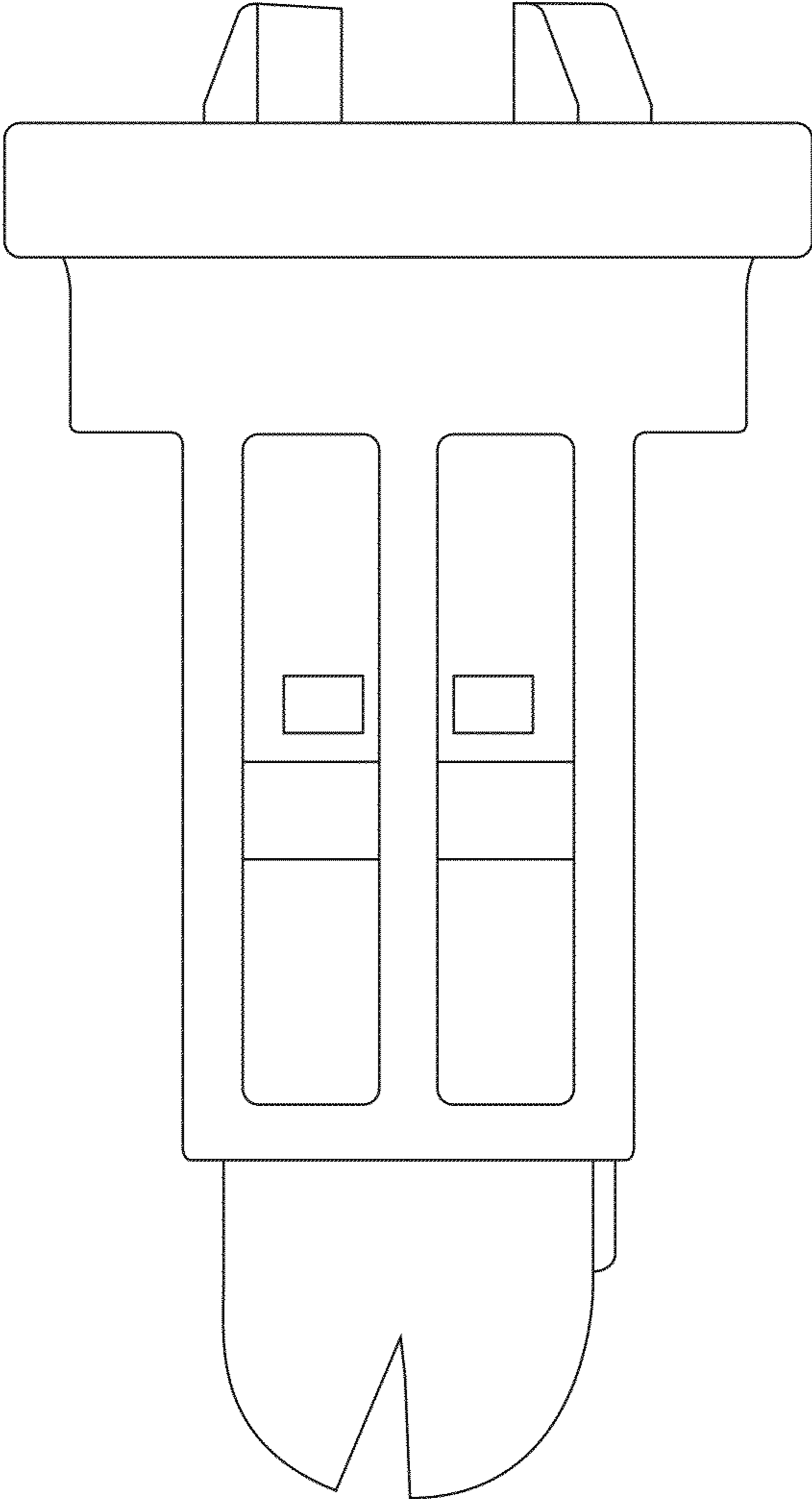


FIG. 3

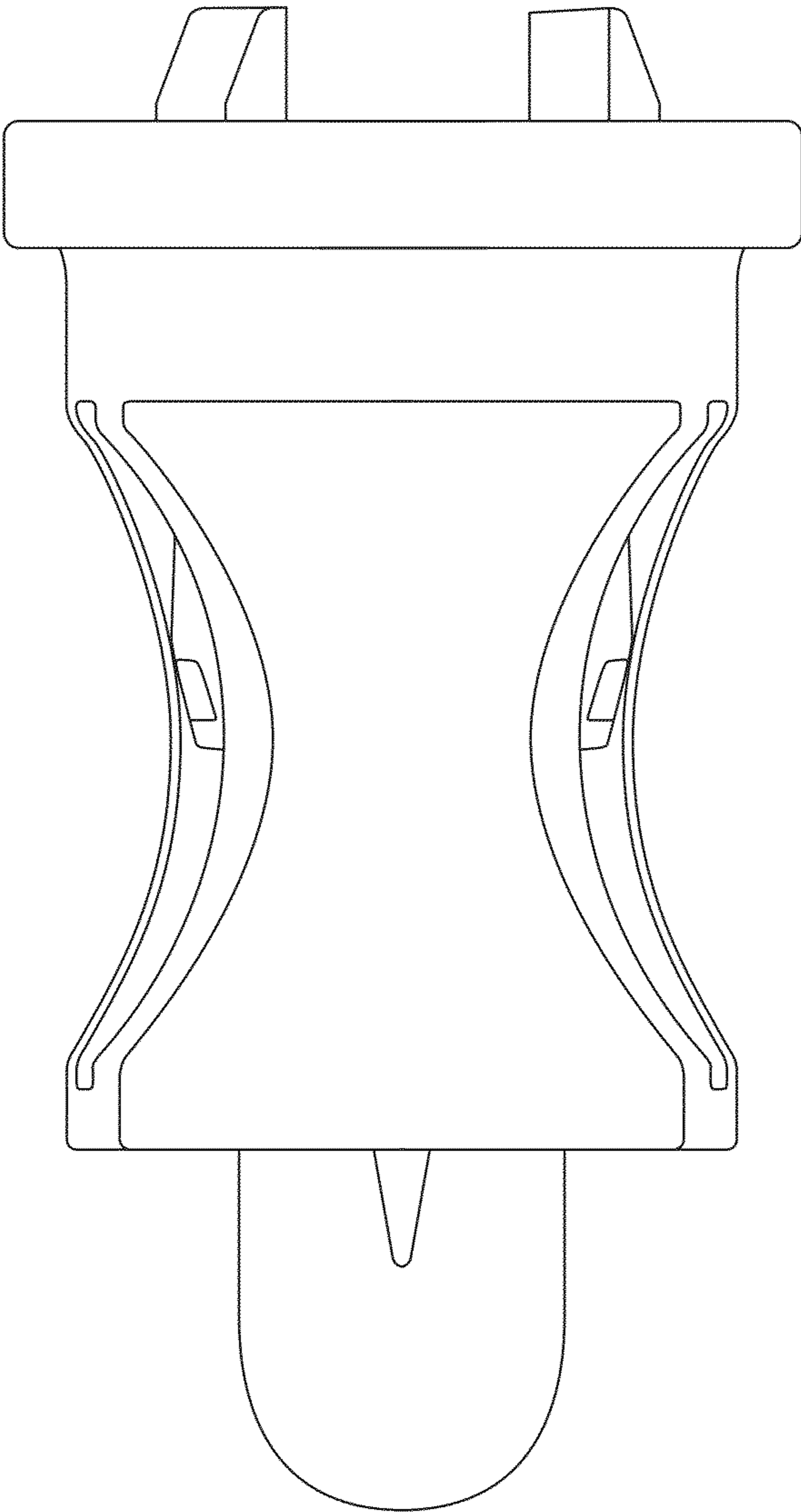


FIG. 4

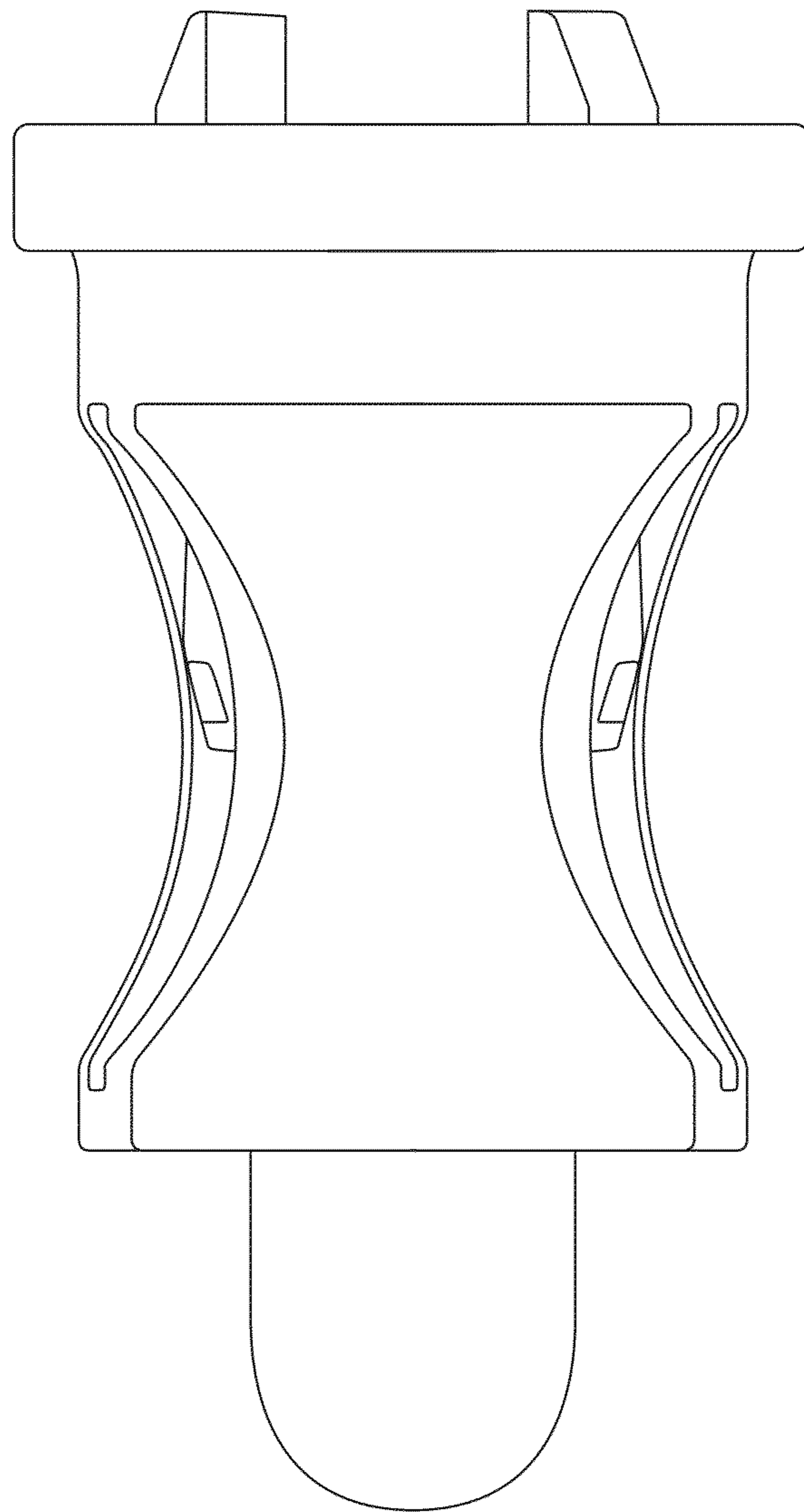


FIG. 5

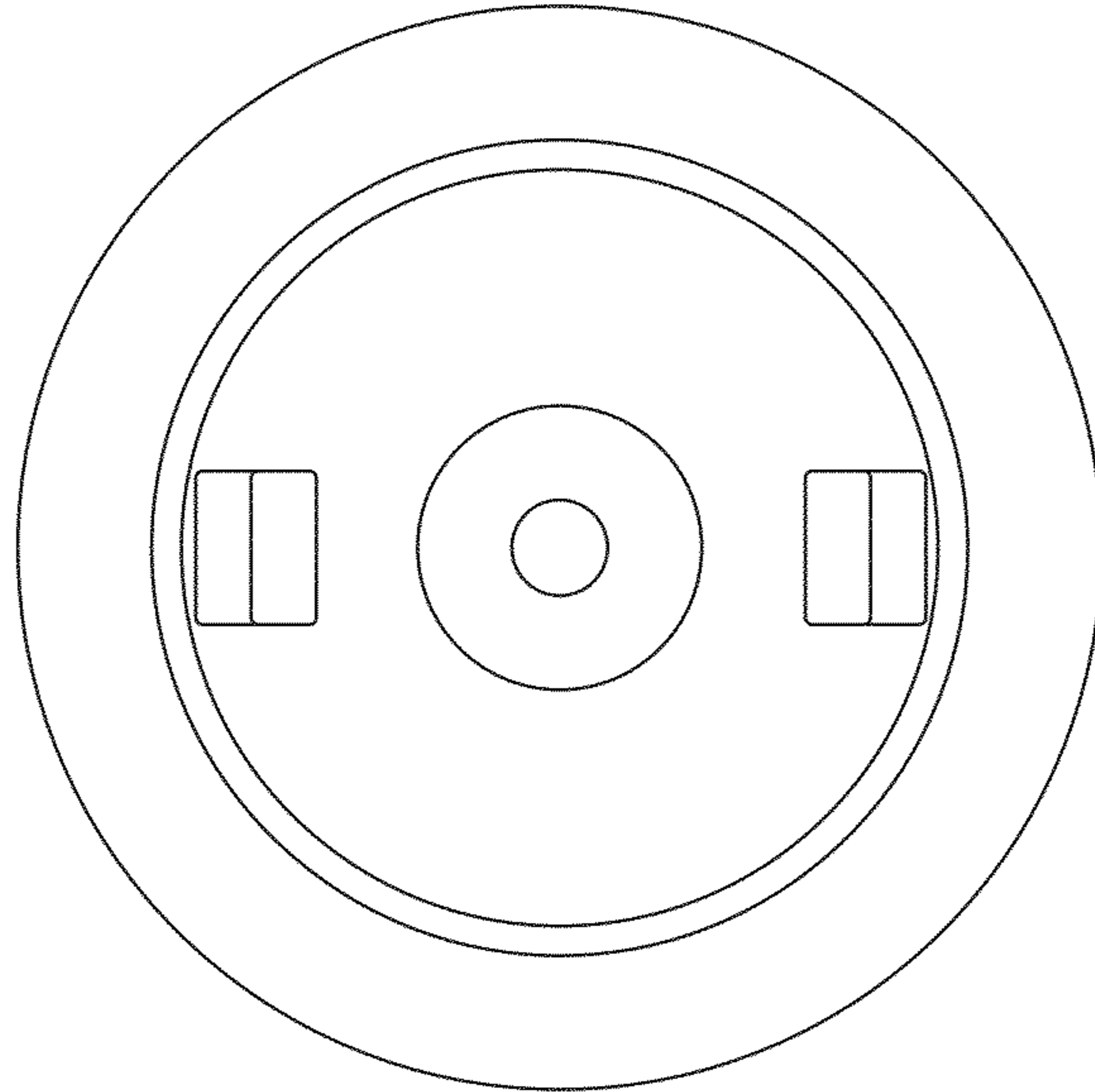


FIG. 6

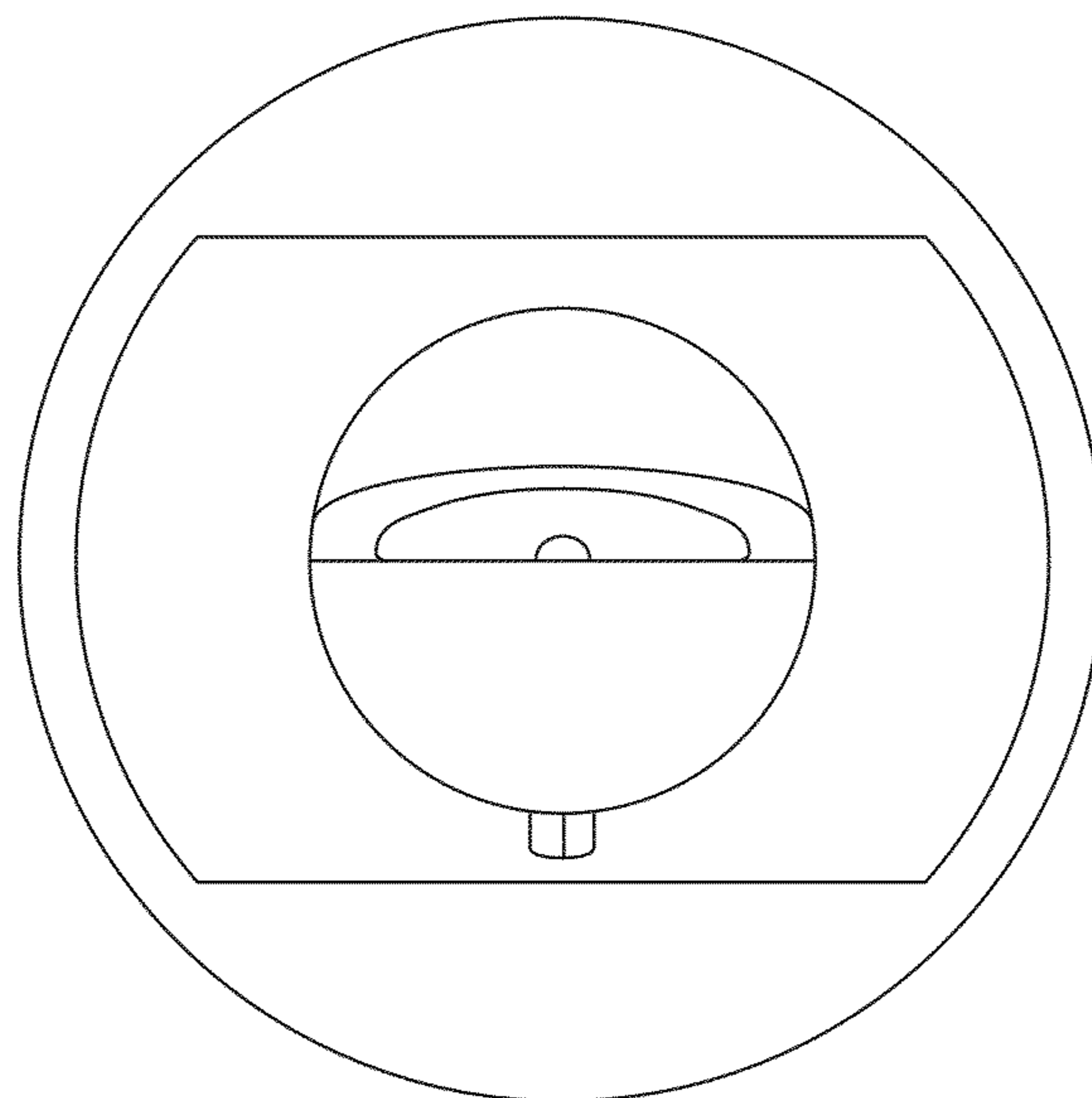


FIG. 7