



US00D723135S

(12) **United States Design Patent**  
**Haslem**

(10) **Patent No.:** **US D723,135 S**

(45) **Date of Patent:** **\*\* Feb. 24, 2015**

(54) **PORTABLE WATER FILTERING SYSTEM**

(71) Applicant: **William John Haslem**, Loudon, TN  
(US)

(72) Inventor: **William John Haslem**, Loudon, TN  
(US)

(\*\*) Term: **14 Years**

(21) Appl. No.: **29/442,625**

(22) Filed: **Apr. 8, 2013**

(51) **LOC (10) Cl.** ..... **23-01**

(52) **U.S. Cl.**  
USPC ..... **D23/209**

(58) **Field of Classification Search**  
USPC ..... D23/207-209; 210/340, 341  
See application file for complete search history.

(56) **References Cited**

**U.S. PATENT DOCUMENTS**

4,615,800	A	*	10/1986	Stifelman et al.	.....	210/132
D314,607	S	*	2/1991	Kapoc et al.	.....	D23/209
5,269,919	A	*	12/1993	von Medlin	.....	210/256

D547,826	S	*	7/2007	Kennedy et al.	.....	D23/209
D547,827	S	*	7/2007	Kennedy et al.	.....	D23/209
D610,650	S	*	2/2010	Kulikov et al.	.....	D23/209
D621,001	S	*	8/2010	Maziel et al.	.....	D23/209
D656,579	S	*	3/2012	Sherman et al.	.....	D23/209
D668,741	S	*	10/2012	Choi	.....	D23/209

\* cited by examiner

*Primary Examiner* — Robin V Webster

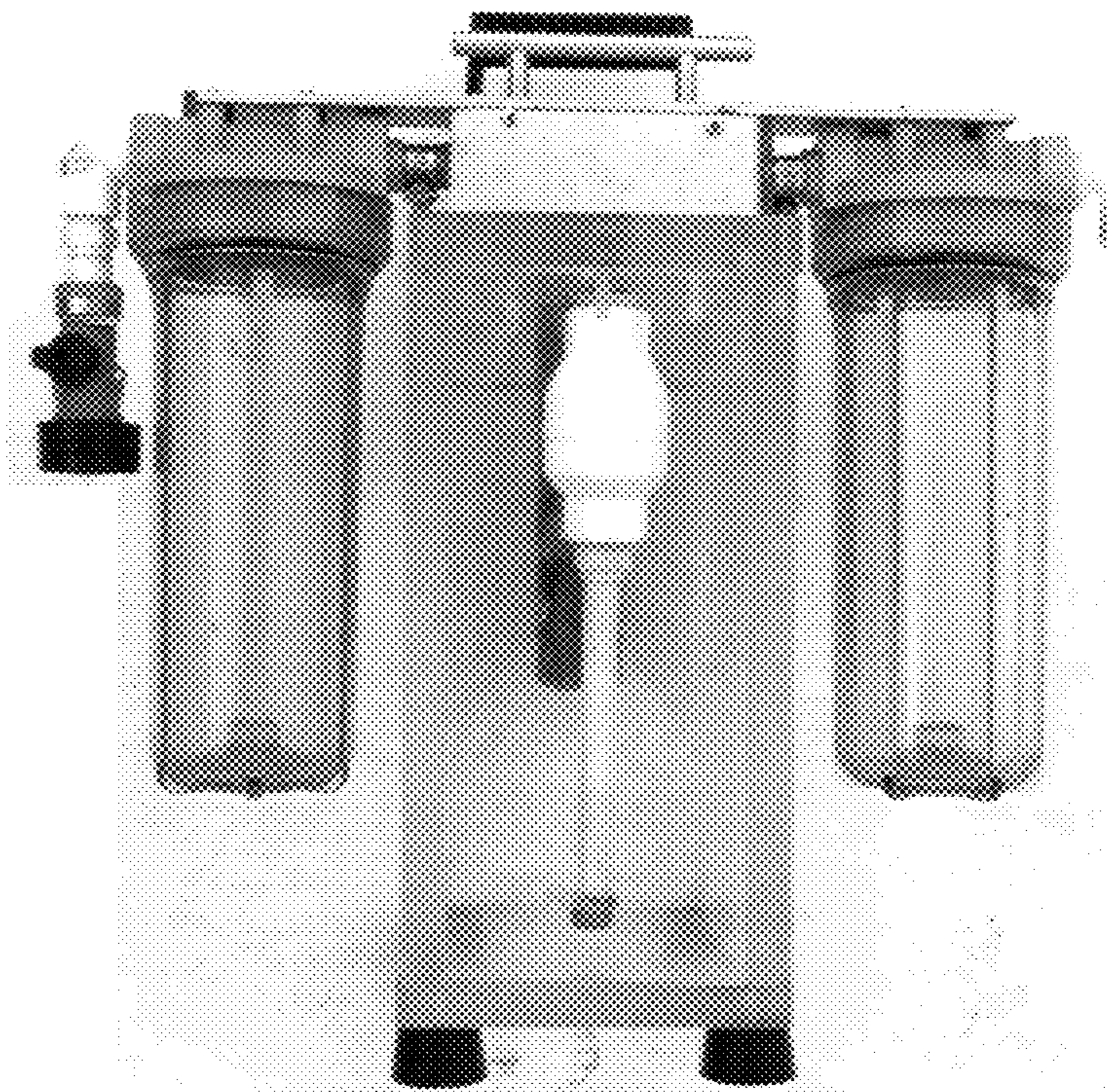
(57) **CLAIM**

The ornamental design for a portable water filtering system, as shown and described.

**DESCRIPTION**

FIG. 1. Is a front elevational view of a portable water filtering system showing my new design;  
 FIG. 2. Is a rear elevational view thereof;  
 FIG. 3. is a side view thereof;  
 FIG. 4. is a opposite side view thereof;  
 FIG. 5. Is a top view thereof, and,  
 FIG. 6. Is a bottom view thereof.

**1 Claim, 6 Drawing Sheets**





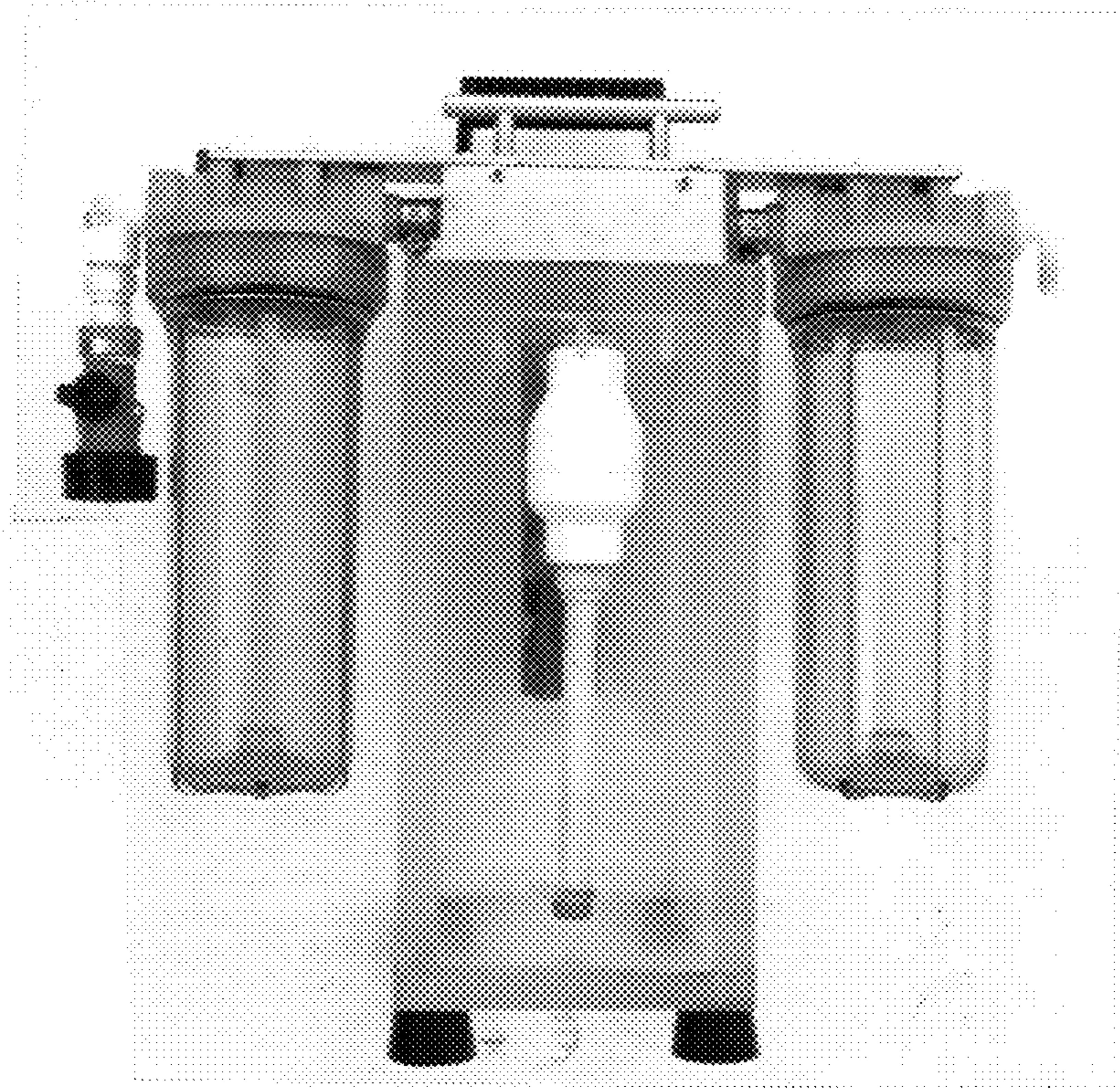


Fig. 1.



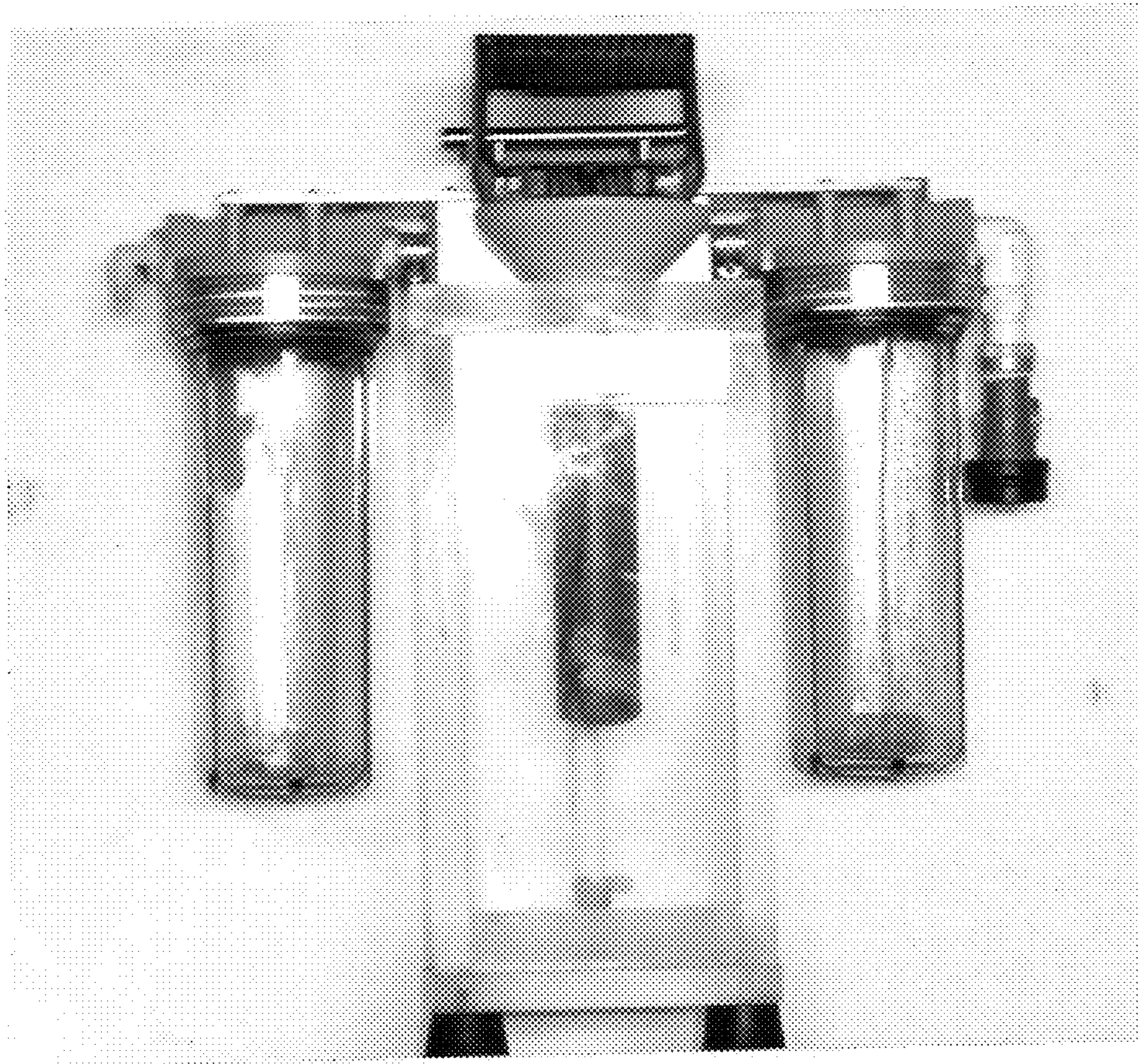


Fig. 2



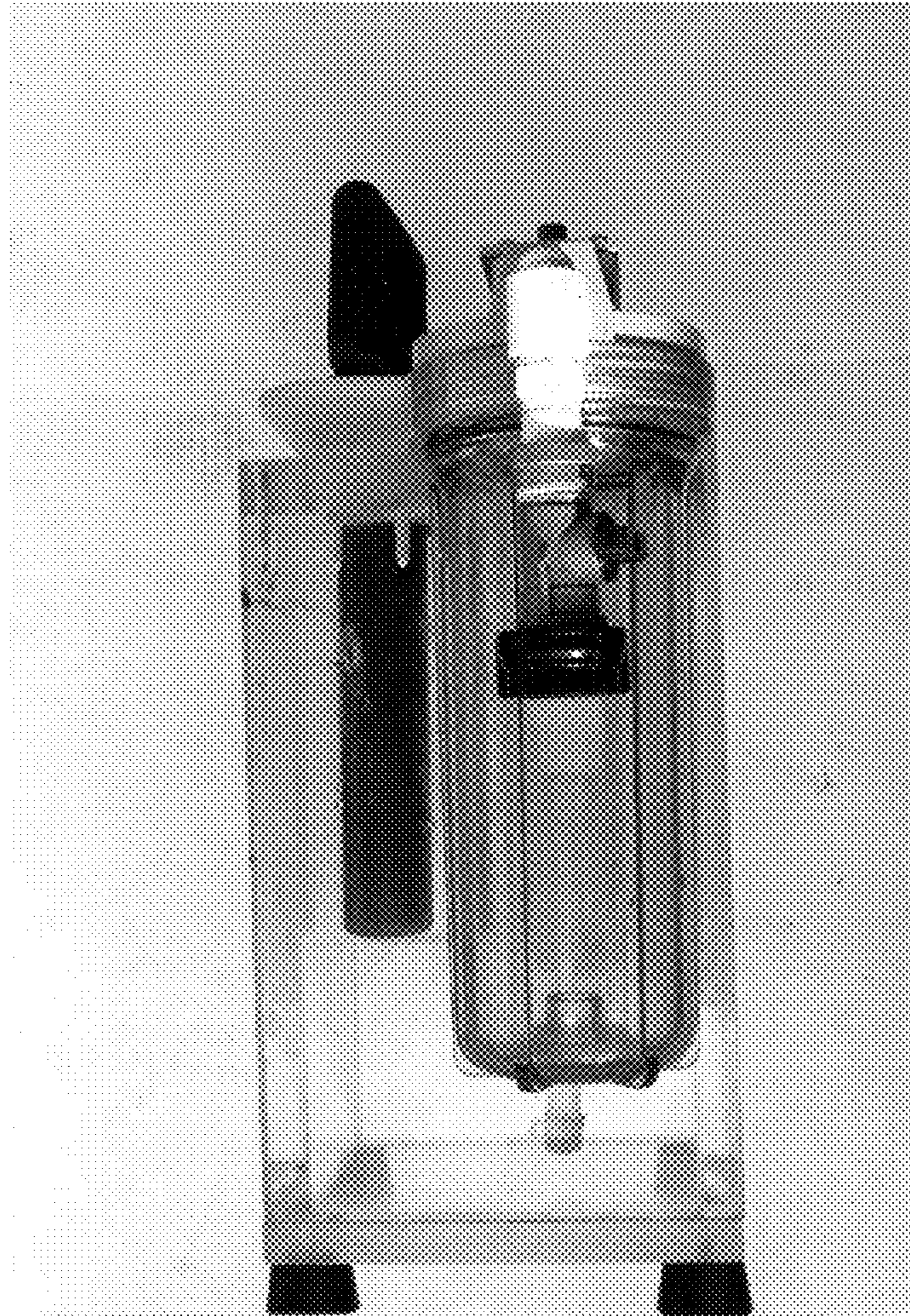


Fig. 3,



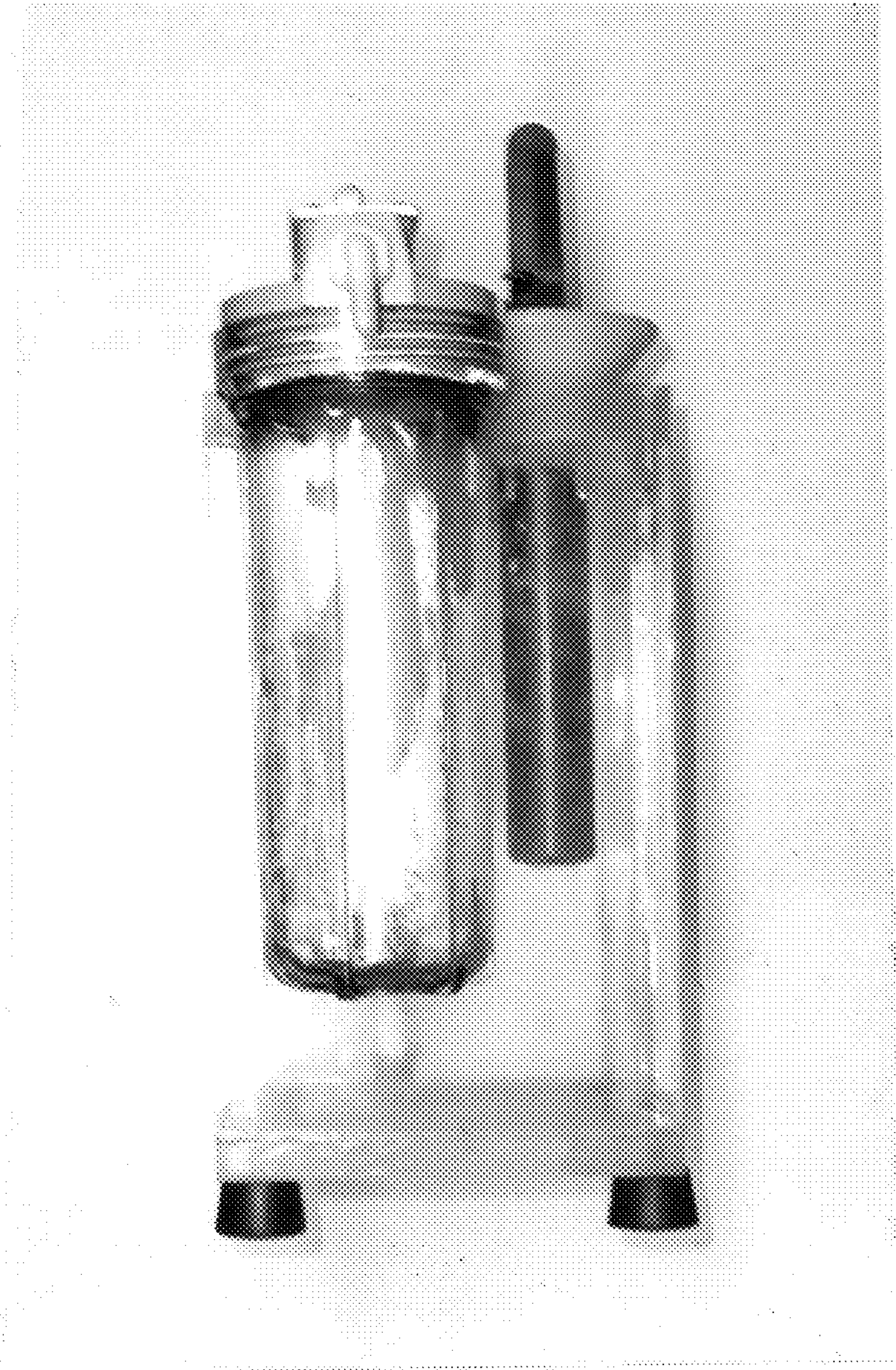


Fig. 4



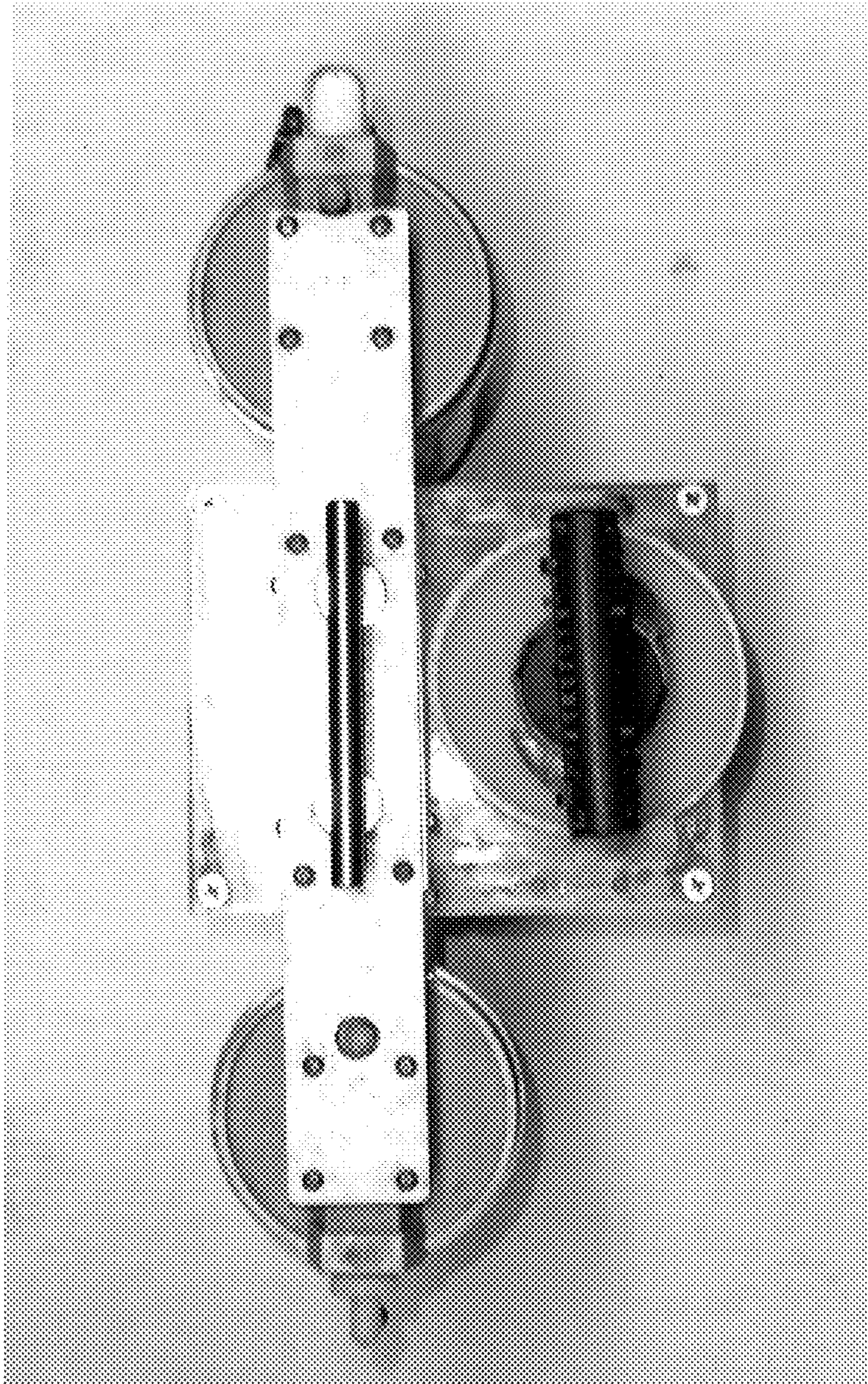


Fig. 5



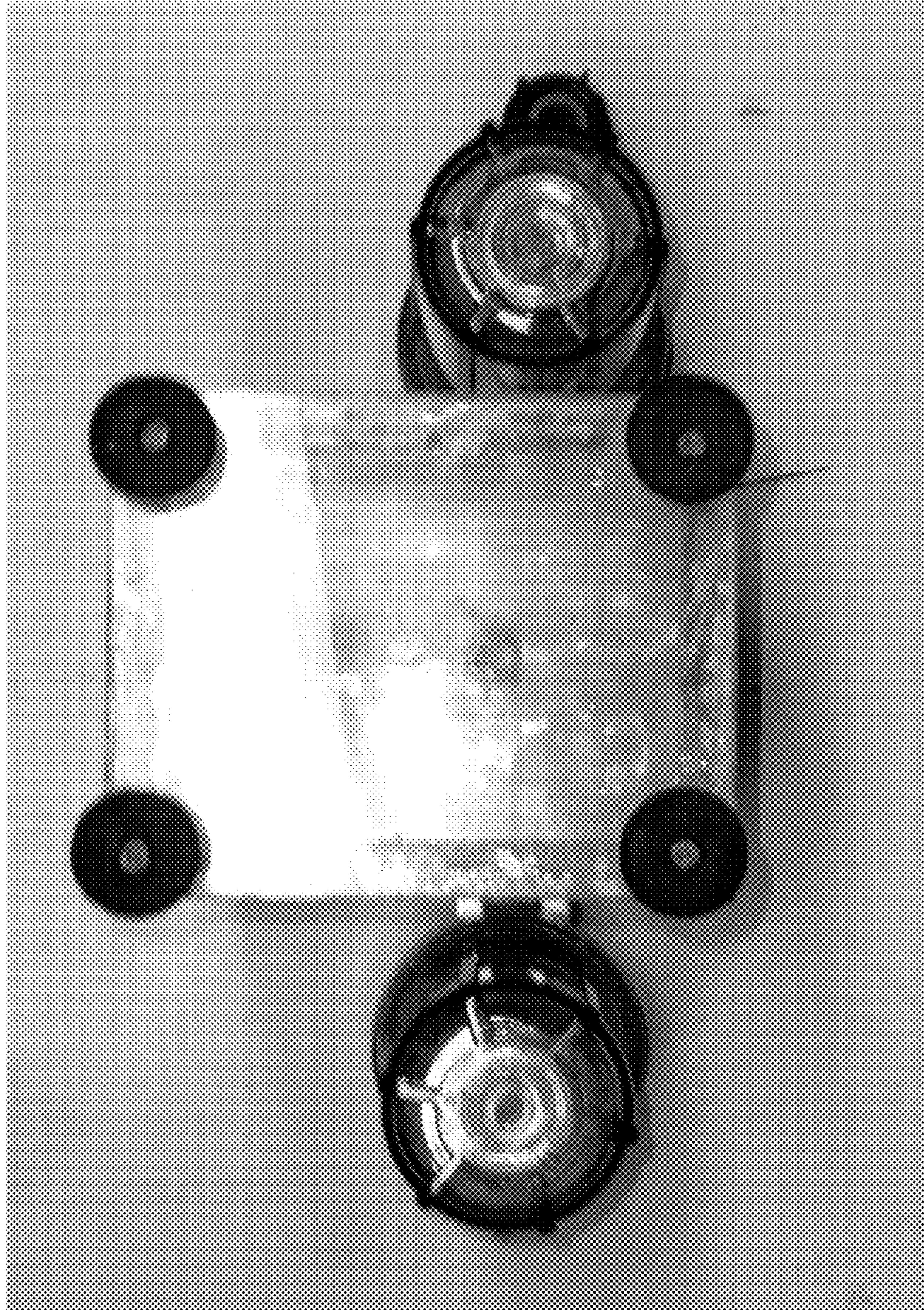


Fig. 6