



US00D723132S

(12) **United States Design Patent**  
**Borland et al.**

(10) **Patent No.:** **US D723,132 S**

(45) **Date of Patent:** **\*\* Feb. 24, 2015**

(54) **KNIFE, SHEATH AND ATTACHMENT MECHANISM**

(71) Applicants: **Andrew C. Borland**, Virginia Beach, VA (US); **Johnny E. Swan**, Virginia Beach, VA (US); **William-Joseph Basan Elizalde**, Virginia Beach, VA (US); **Ronald Parkerton**, Chesapeake, VA (US)

(72) Inventors: **Andrew C. Borland**, Virginia Beach, VA (US); **Johnny E. Swan**, Virginia Beach, VA (US); **William-Joseph Basan Elizalde**, Virginia Beach, VA (US); **Ronald Parkerton**, Chesapeake, VA (US)

(73) Assignee: **S & S Precision LLC**, Virginia Beach, VA (US)

(\*\*) Term: **14 Years**

(21) Appl. No.: **29/479,154**

(22) Filed: **Jan. 13, 2014**

(51) **LOC (10) Cl.** ..... **22-02**

(52) **U.S. Cl.**  
USPC ..... **D22/118**

(58) **Field of Classification Search**  
USPC ..... D22/118; D3/220; 224/232; 30/151, 30/154, 156, 161-162, 169, 123; D8/76, D8/89, 105  
See application file for complete search history.

(56) **References Cited**

U.S. PATENT DOCUMENTS

D317,037 S *	5/1991	Koshiishi	.....	D22/118
D334,791 S *	4/1993	Collins	.....	D22/118
D384,724 S *	10/1997	Uke et al.	.....	D22/118
D398,211 S *	9/1998	Howard	.....	D8/98
D448,442 S *	9/2001	Cheng	.....	D22/118
D491,622 S *	6/2004	Hadley et al.	.....	D22/118
D692,657 S *	11/2013	Hyma et al.	.....	D3/273

\* cited by examiner

*Primary Examiner* — Catheri Oliver-Garcia

(74) *Attorney, Agent, or Firm* — Kilpatrick Townsend & Stockton LLP

(57) **CLAIM**

The ornamental design for a knife, sheath and attachment mechanism, as shown and described.

**DESCRIPTION**

FIG. 1 is a front perspective view of a first embodiment of a knife, sheath and attachment mechanism showing our new design;

FIG. 2 is a front view thereof;

FIG. 3 is a rear view thereof;

FIG. 4 is a top view thereof;

FIG. 5 is a bottom view thereof;

FIG. 6 is a left side view thereof;

FIG. 7 is a right side view thereof;

FIG. 8 is a front perspective view of a knife portion of the knife, sheath and attachment mechanism shown in FIGS. 1-7;

FIG. 9 is a front view thereof;

FIG. 10 is a rear view thereof;

FIG. 11 is a top view thereof;

FIG. 12 is a bottom view thereof;

FIG. 13 is a left side view thereof;

FIG. 14 is a right side view thereof;

FIG. 15 is a front perspective view of a sheath portion of the knife, sheath and attachment mechanism shown in FIGS. 1-7;

FIG. 16 is a front view thereof;

FIG. 17 is a rear view thereof;

FIG. 18 is a top view thereof;

FIG. 19 is a bottom view thereof;

FIG. 20 is a left side view thereof;

FIG. 21 is a right side view thereof;

FIG. 22 is a front perspective view of an attachment mechanism portion of the knife, sheath and attachment mechanism shown in FIGS. 1-7;

FIG. 23 is a front view thereof;

FIG. 24 is a rear view thereof;

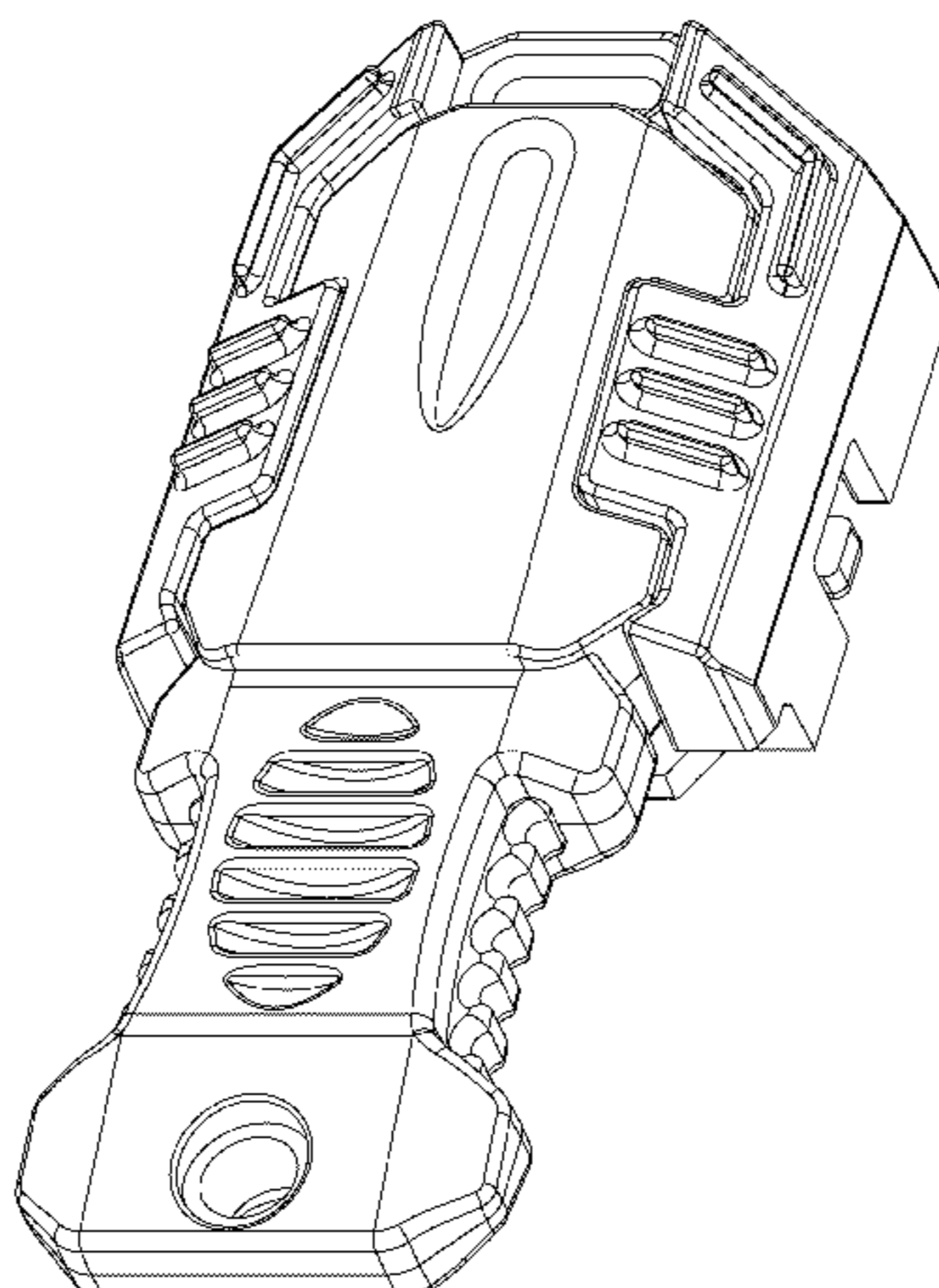
FIG. 25 is a top view thereof;

FIG. 26 is a bottom view thereof;

FIG. 27 is a left side view thereof; and,

FIG. 28 is a right side view thereof.

**1 Claim, 28 Drawing Sheets**



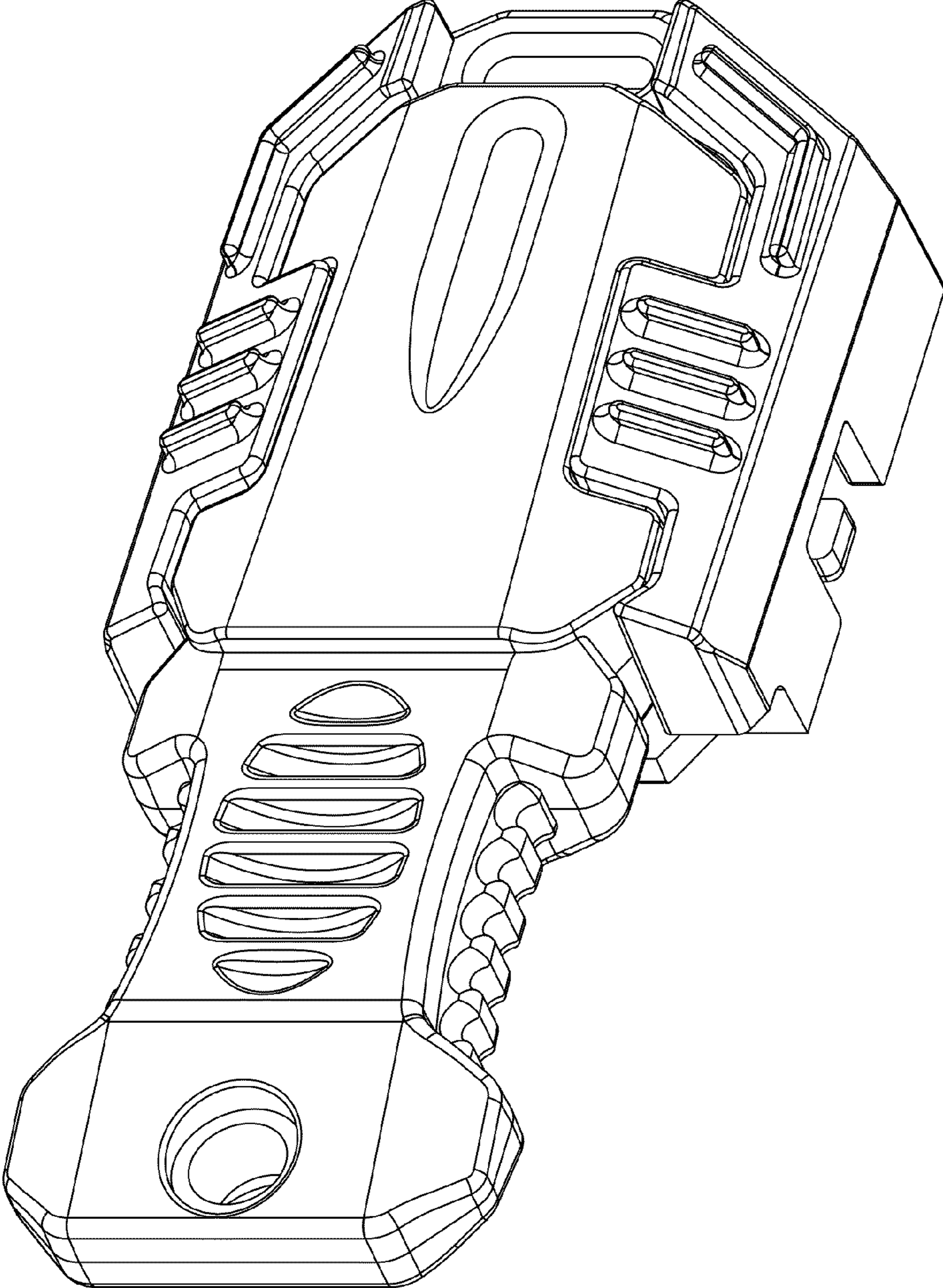


FIG. 1

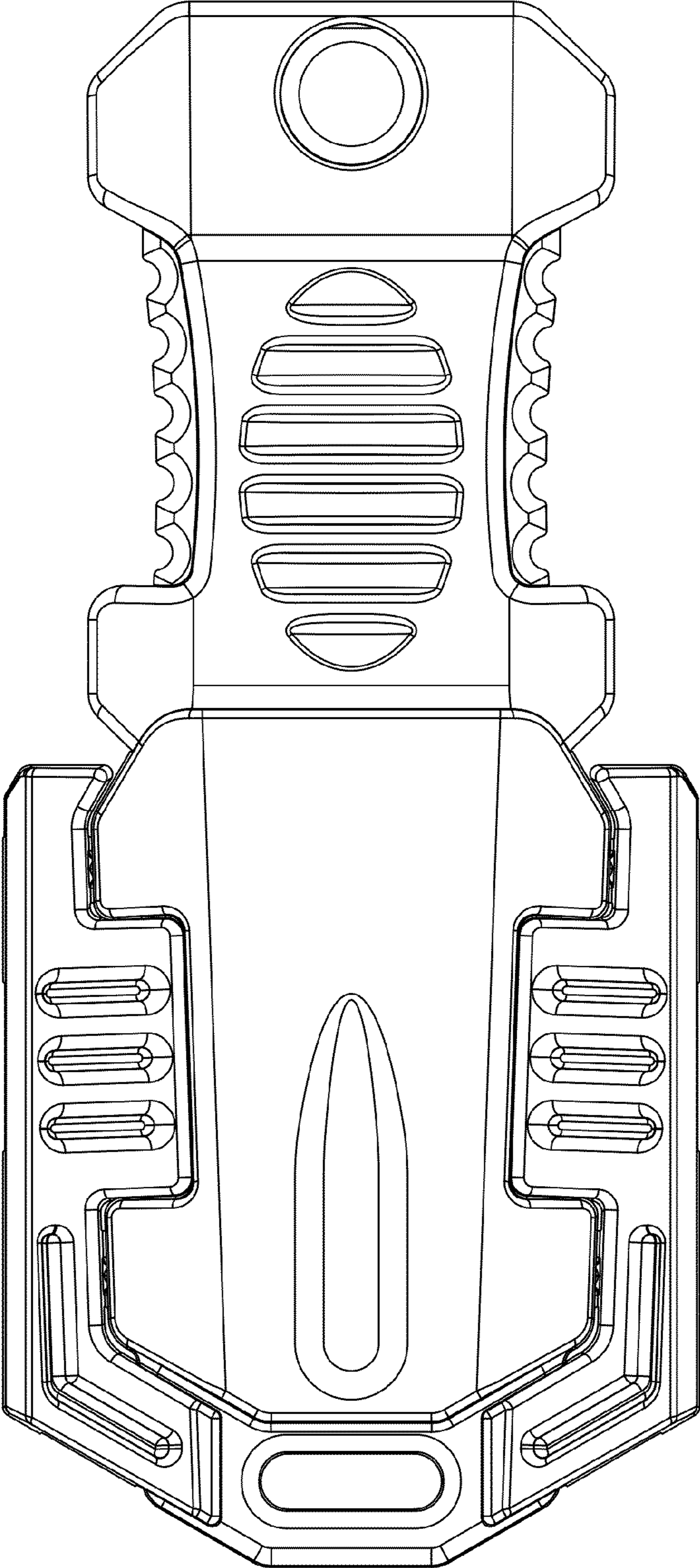


FIG. 2



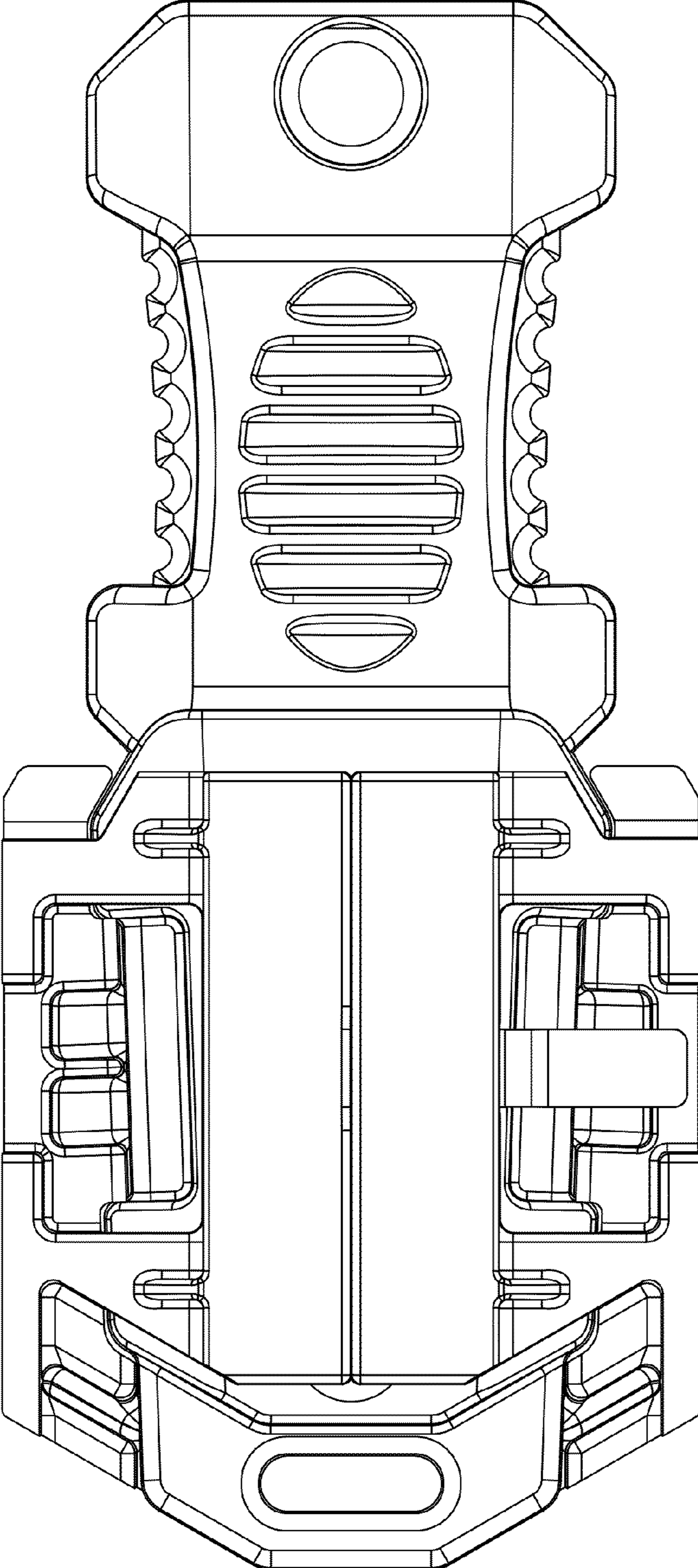


FIG. 3

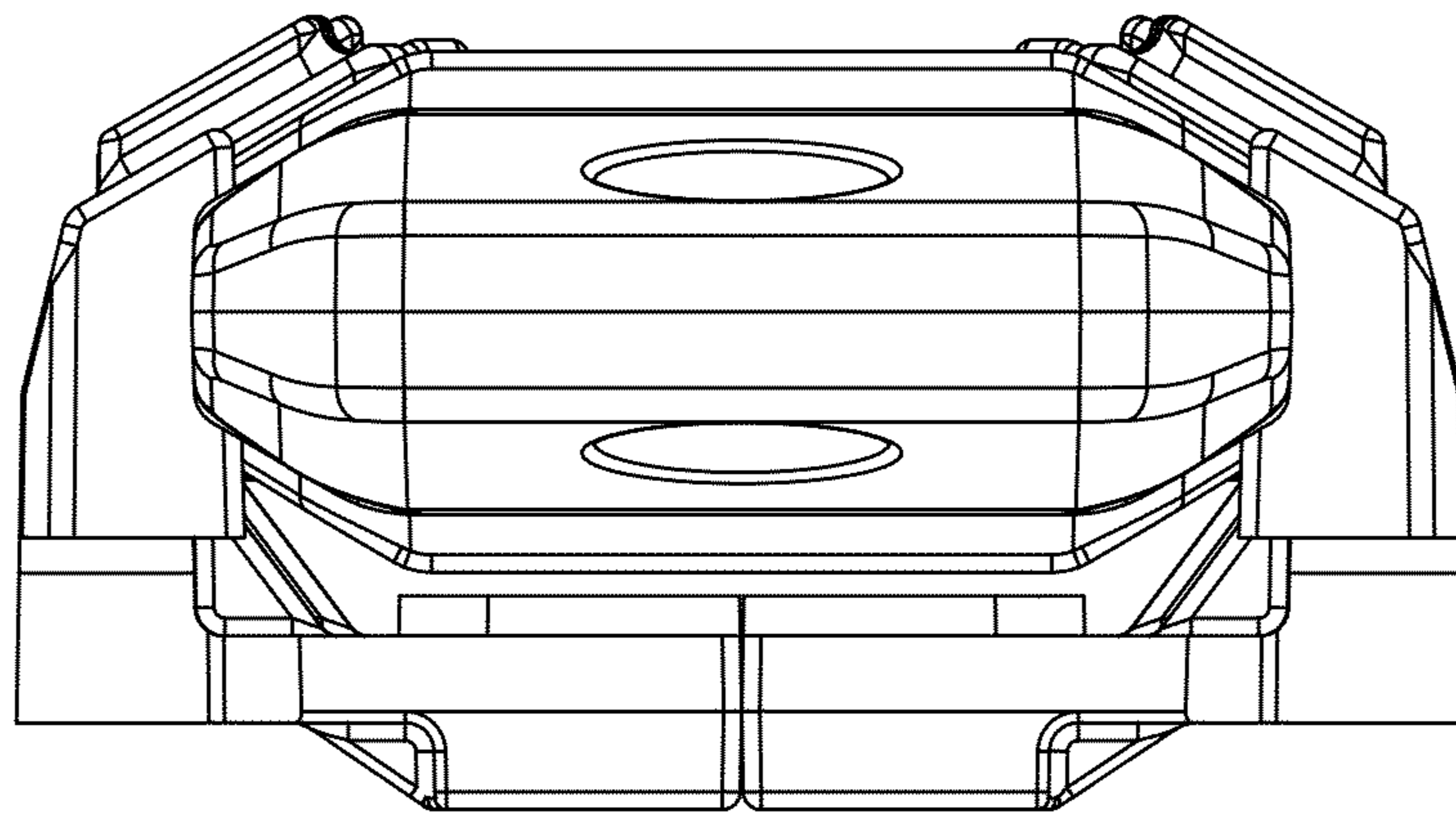


FIG. 4

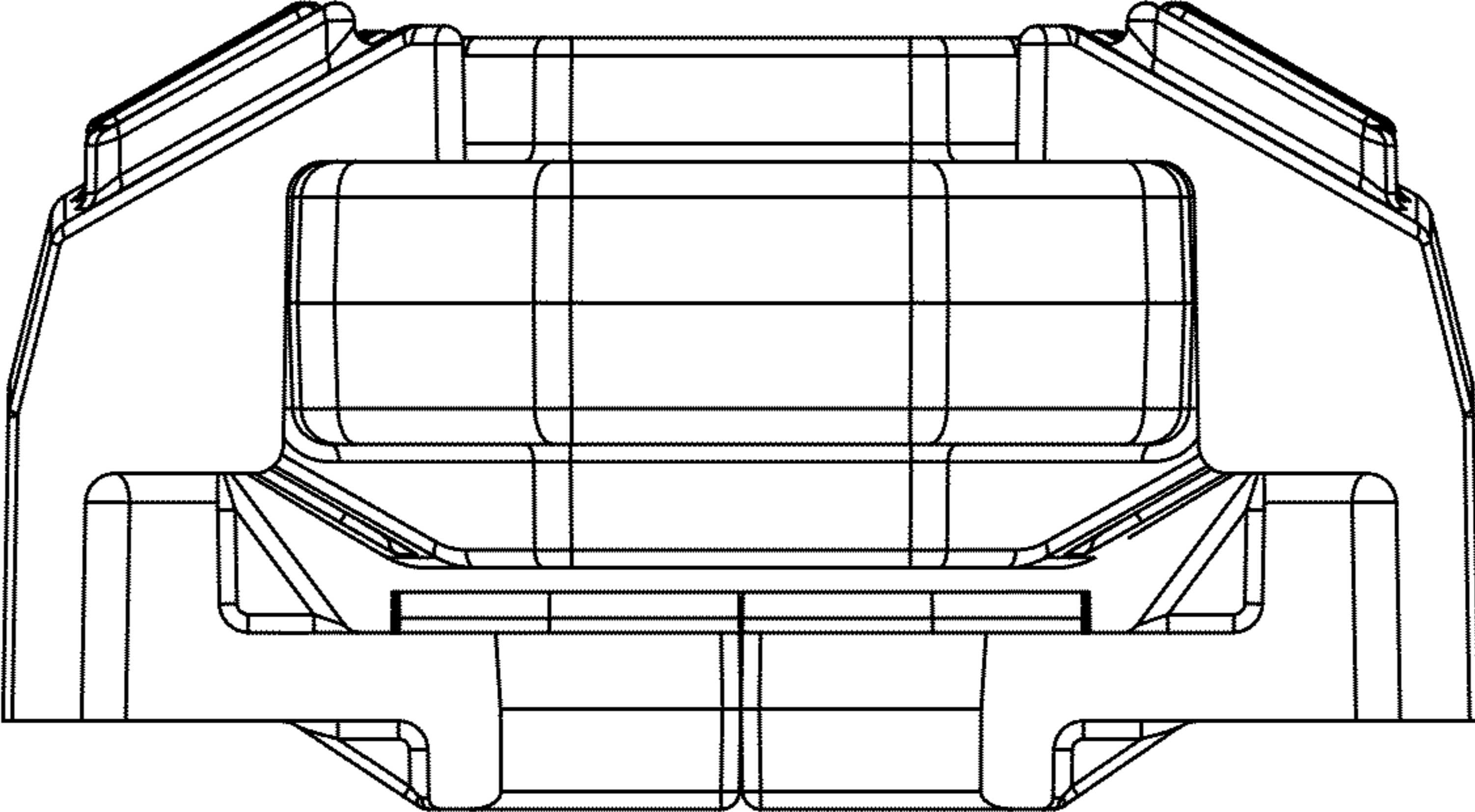


FIG. 5

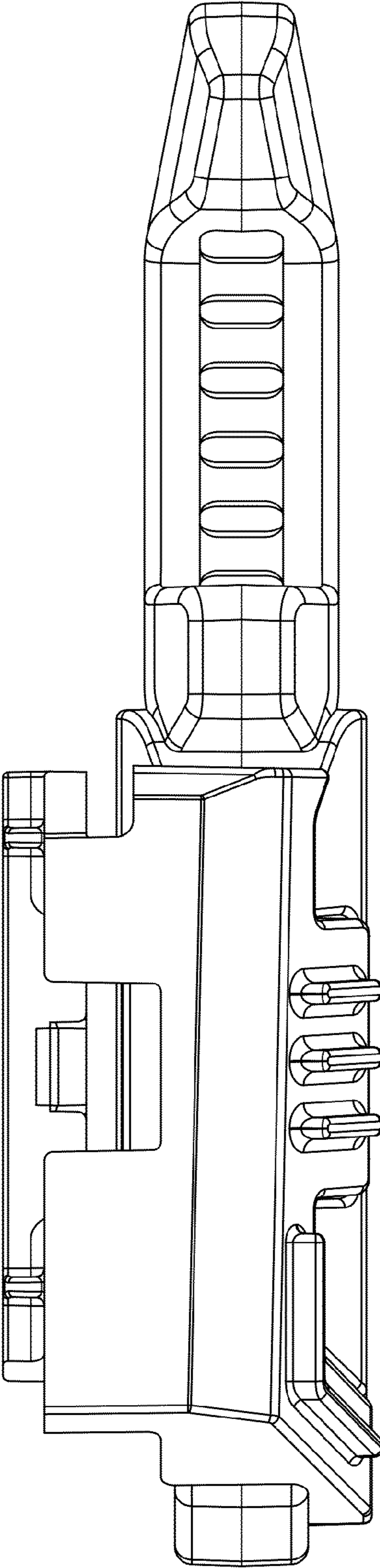


FIG. 6

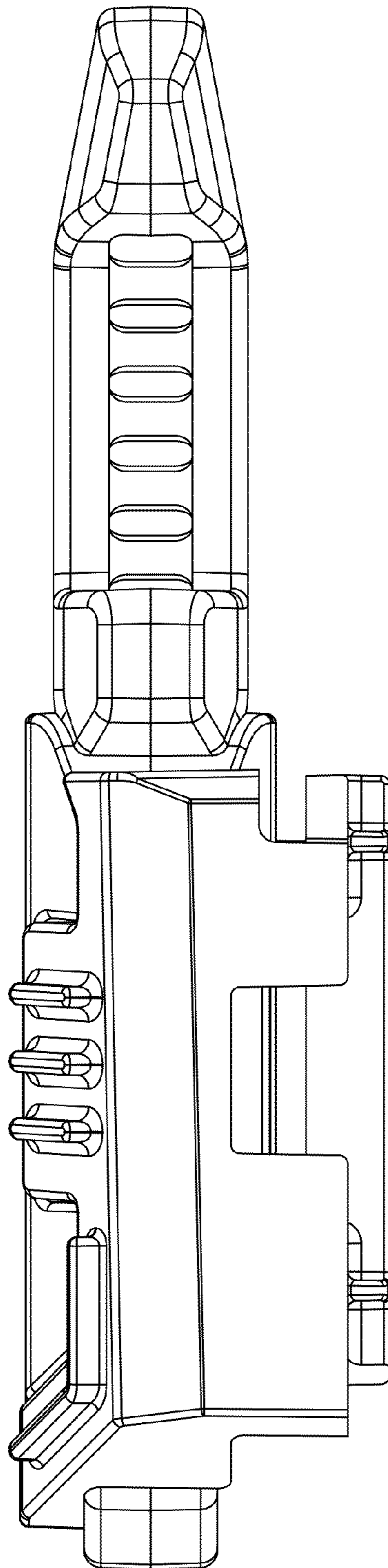


FIG. 7



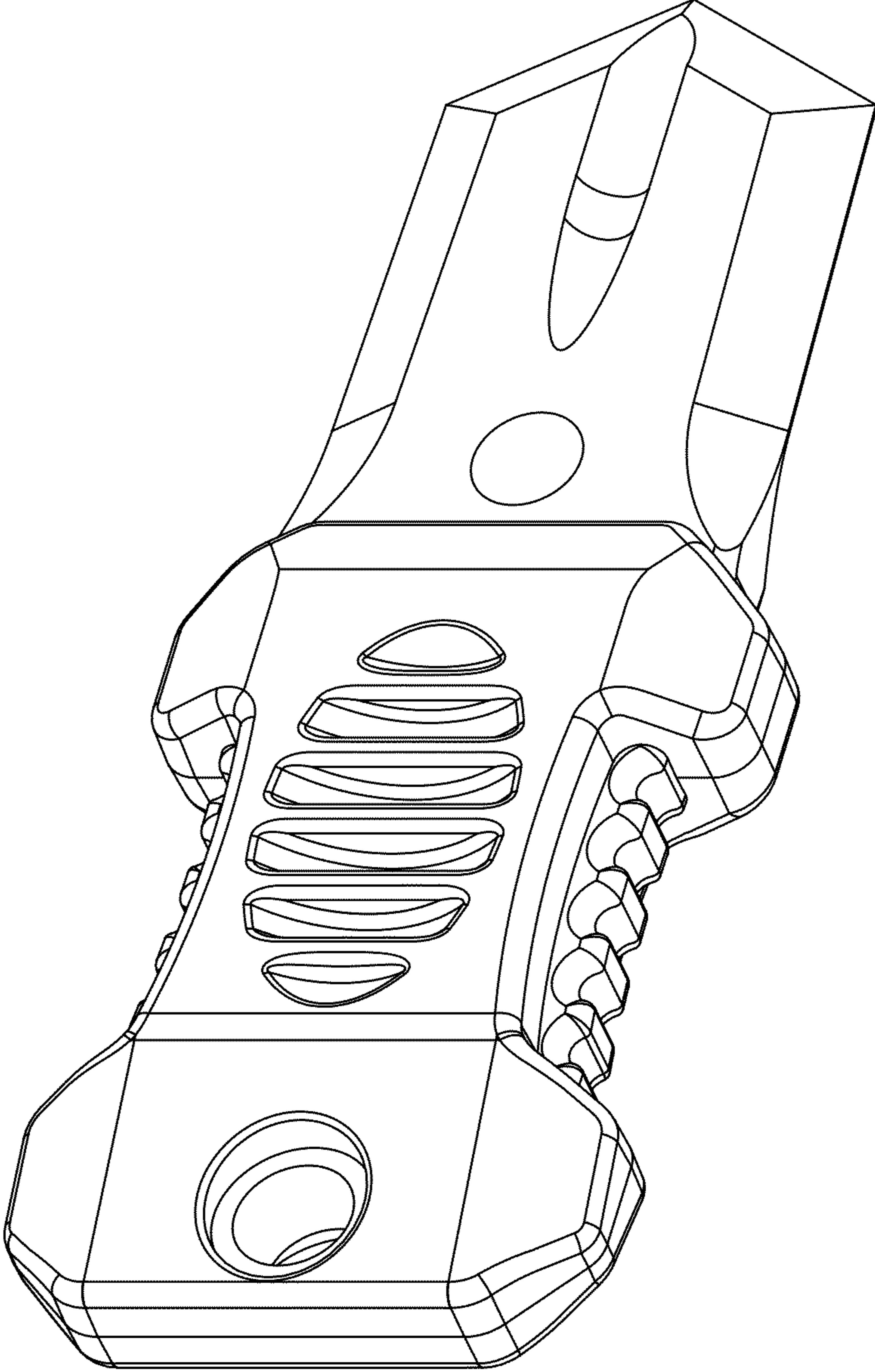


FIG. 8

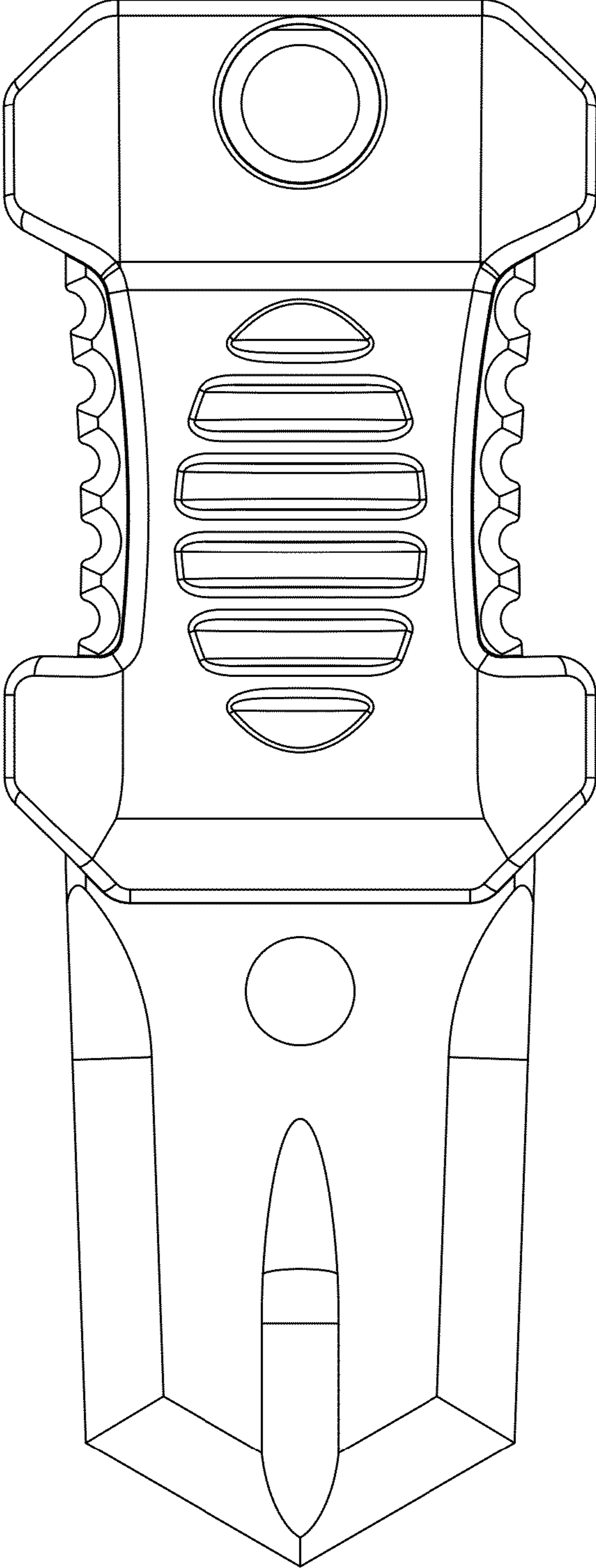


FIG. 9

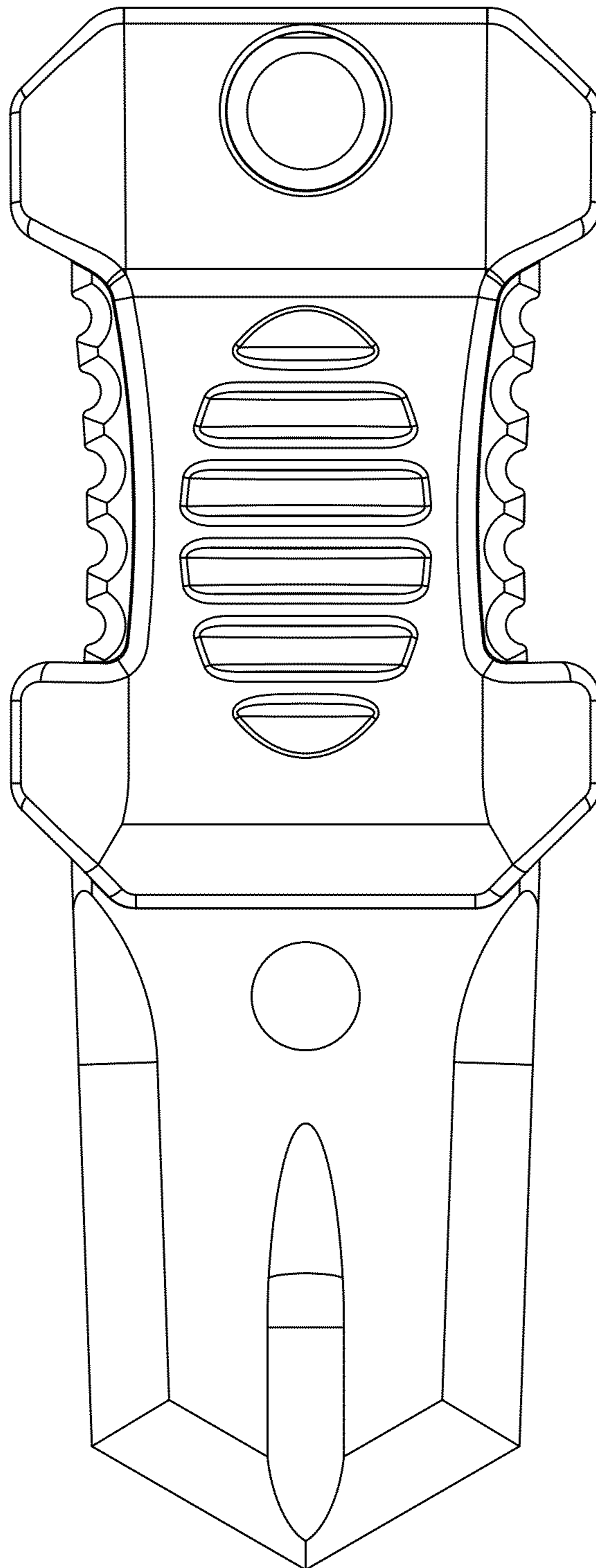


FIG. 10

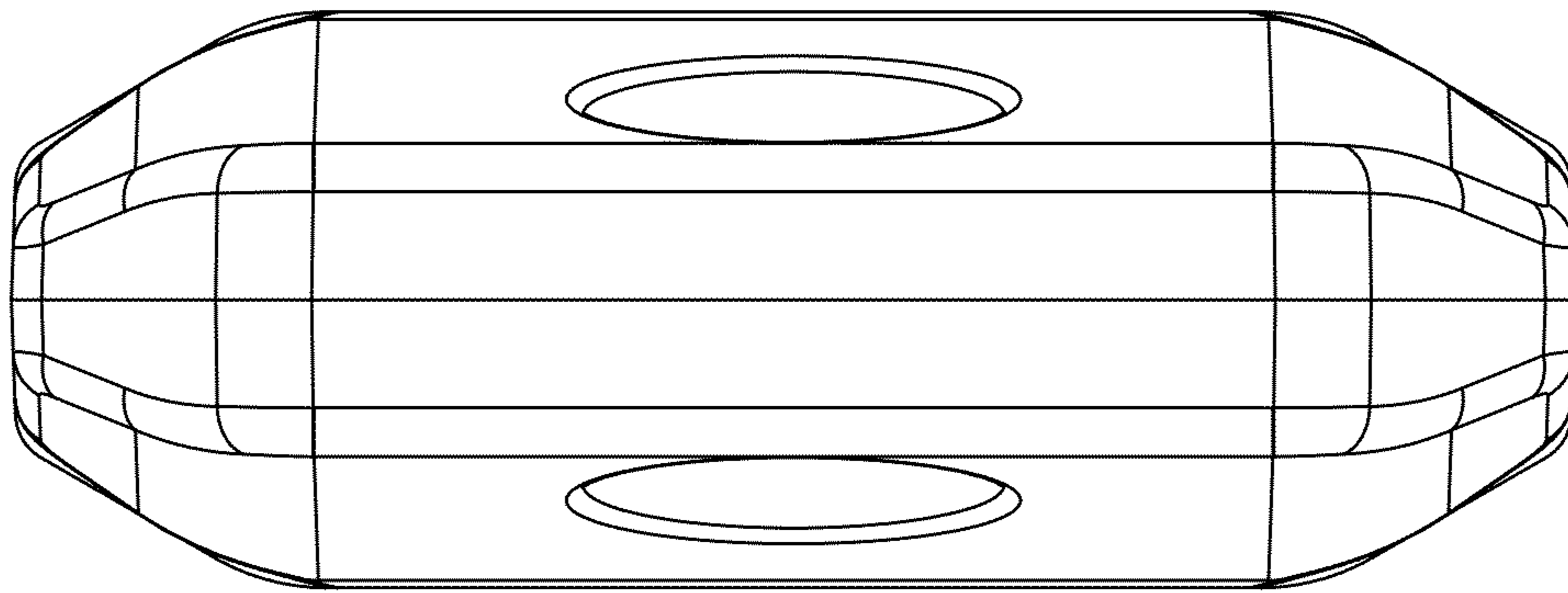


FIG. 11



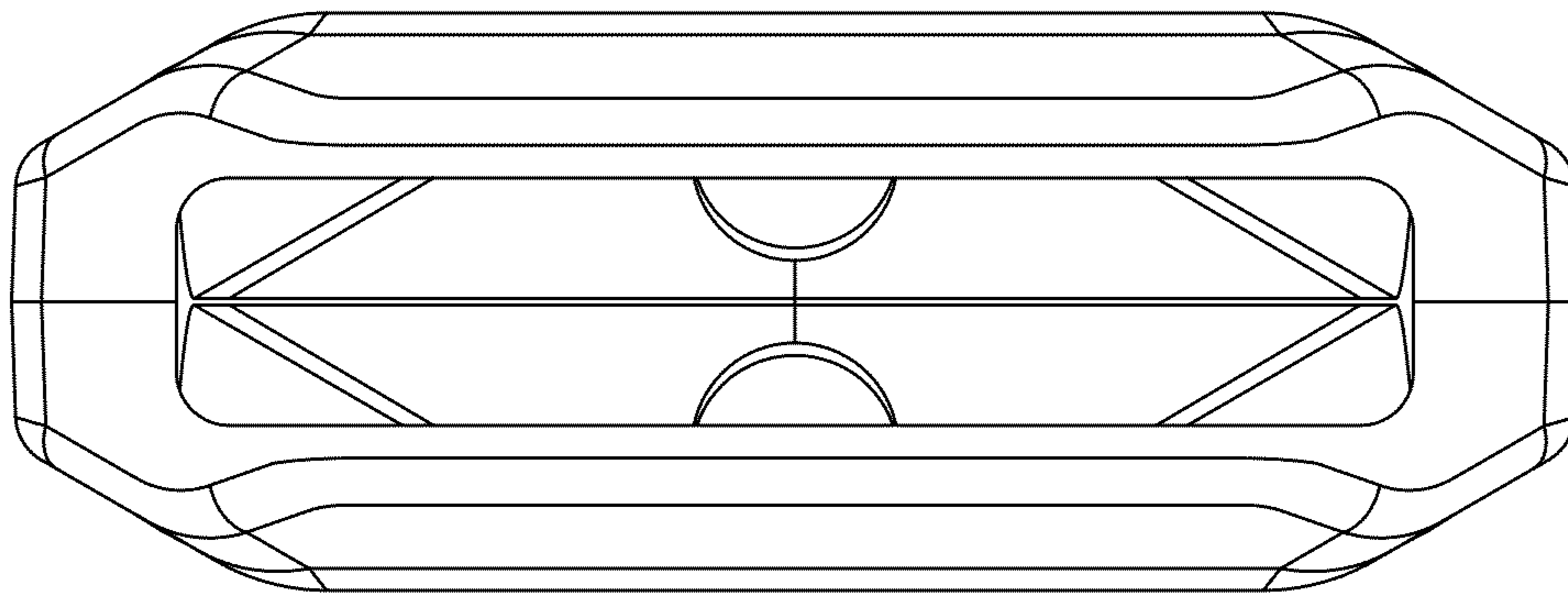


FIG. 12

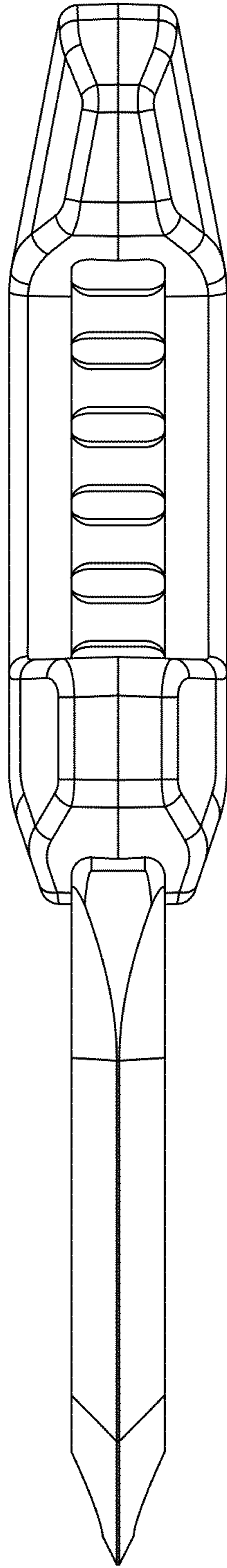


FIG. 13

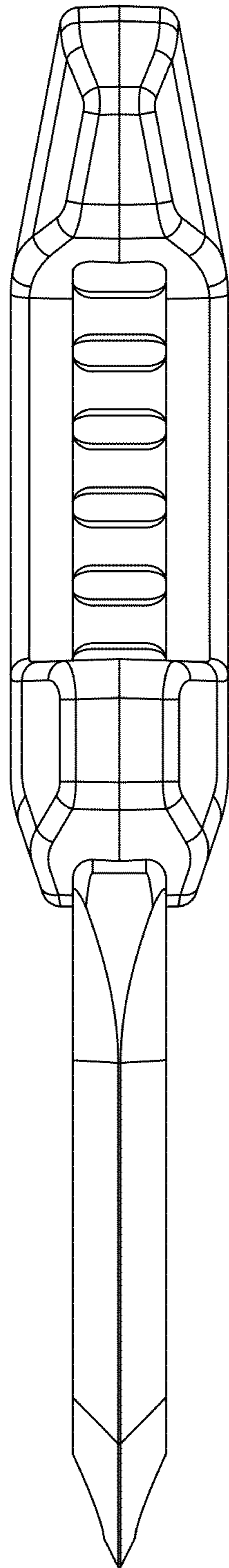


FIG. 14

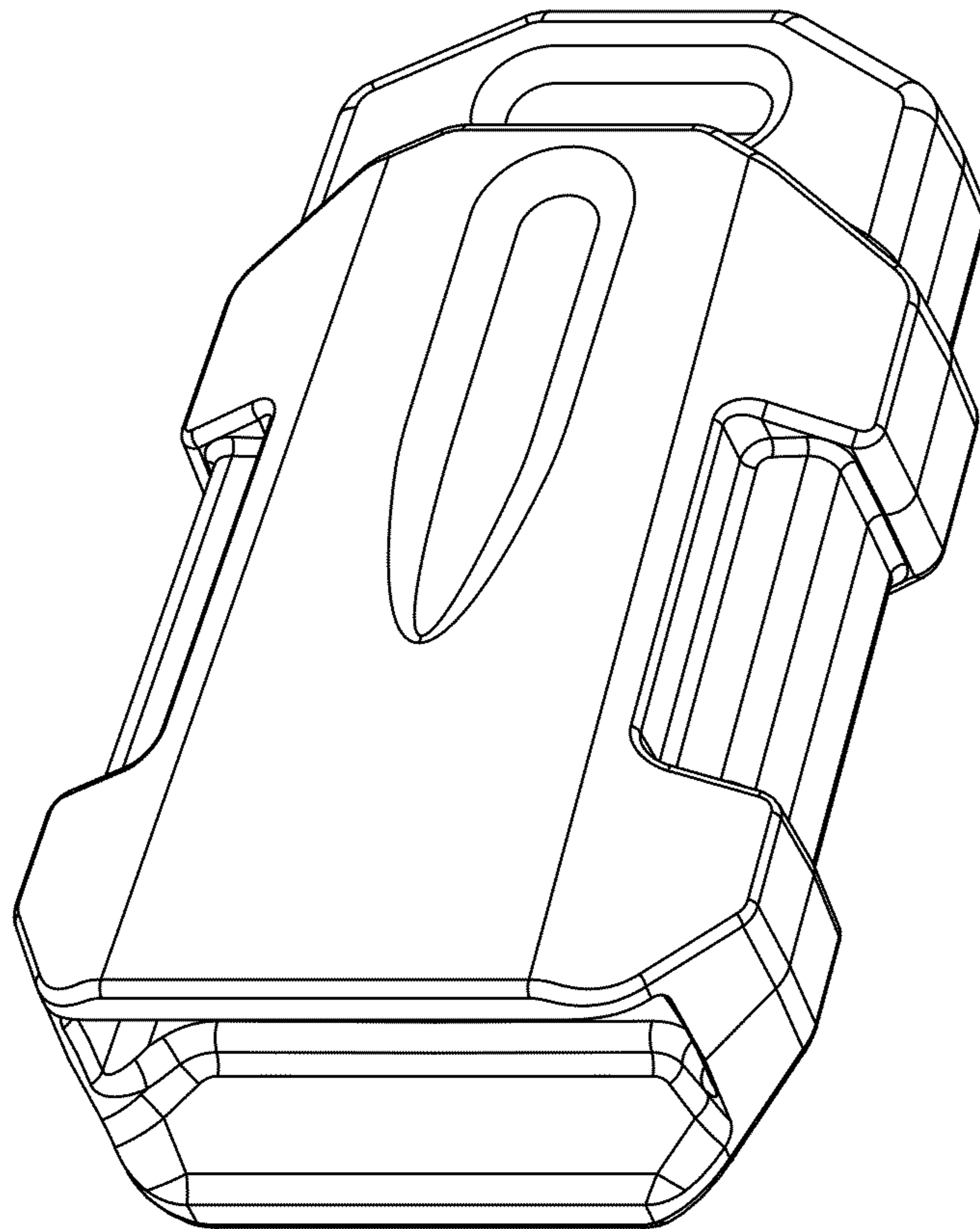


FIG. 15



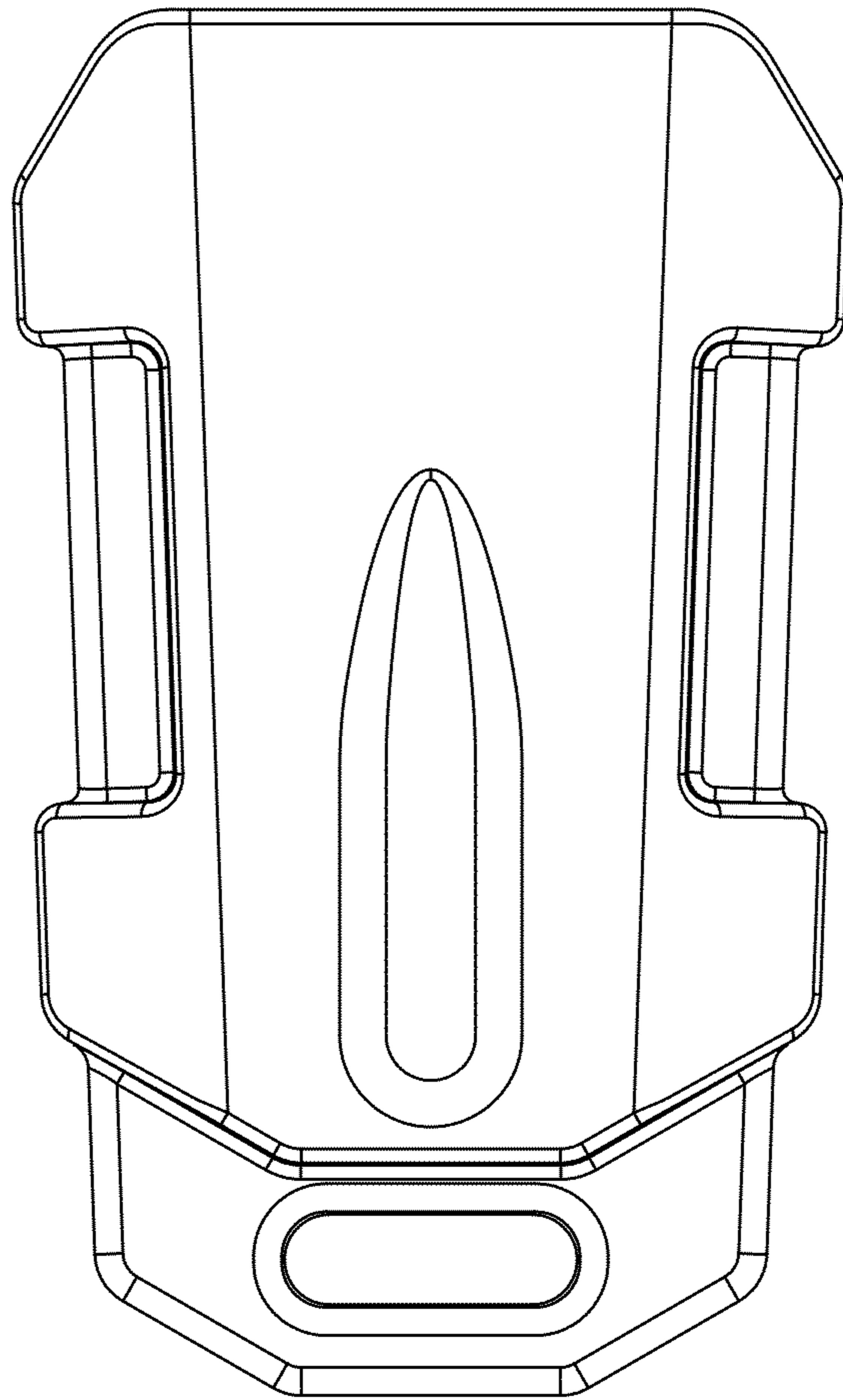


FIG. 16

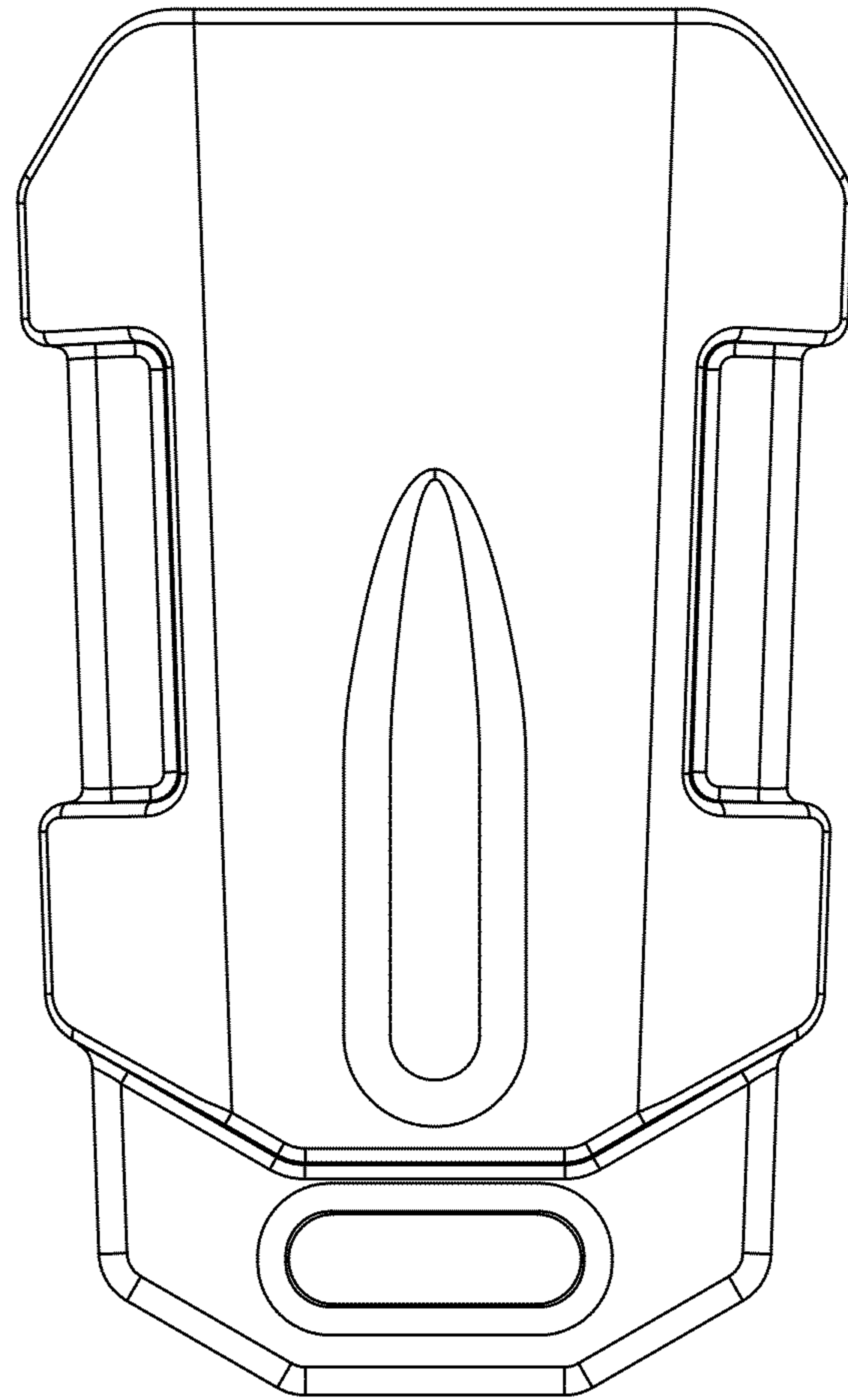


FIG. 17

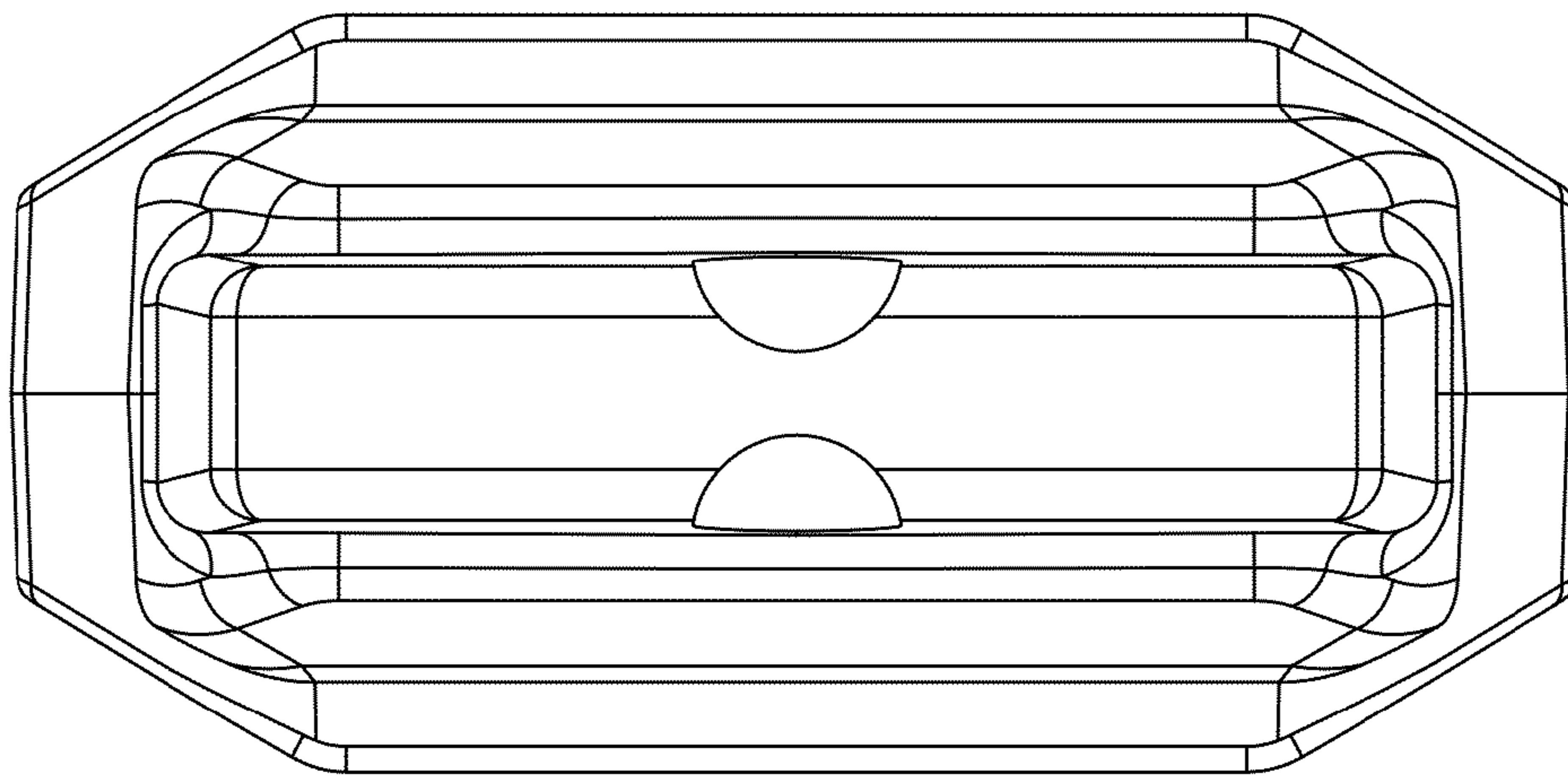


FIG. 18

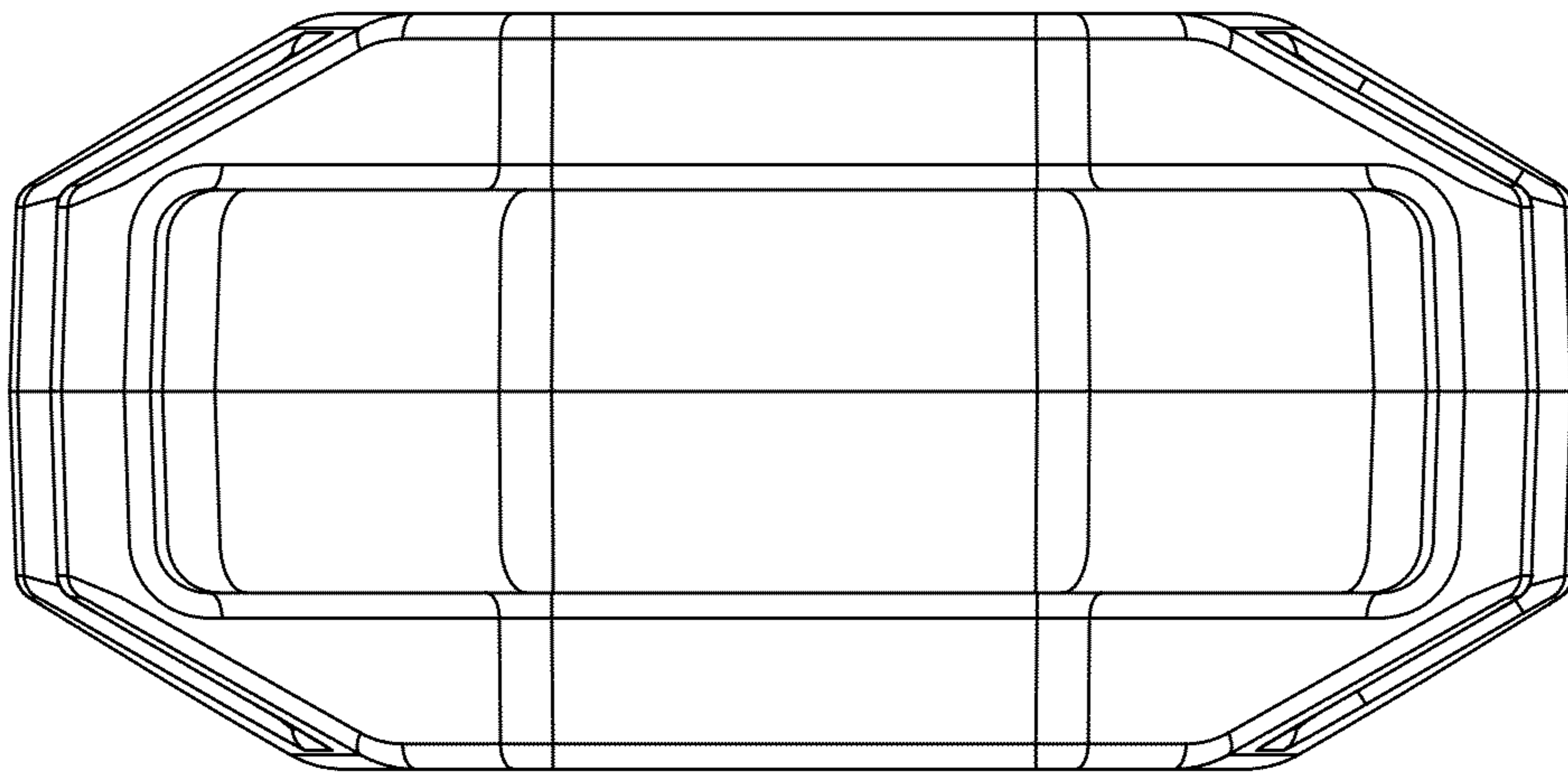


FIG. 19



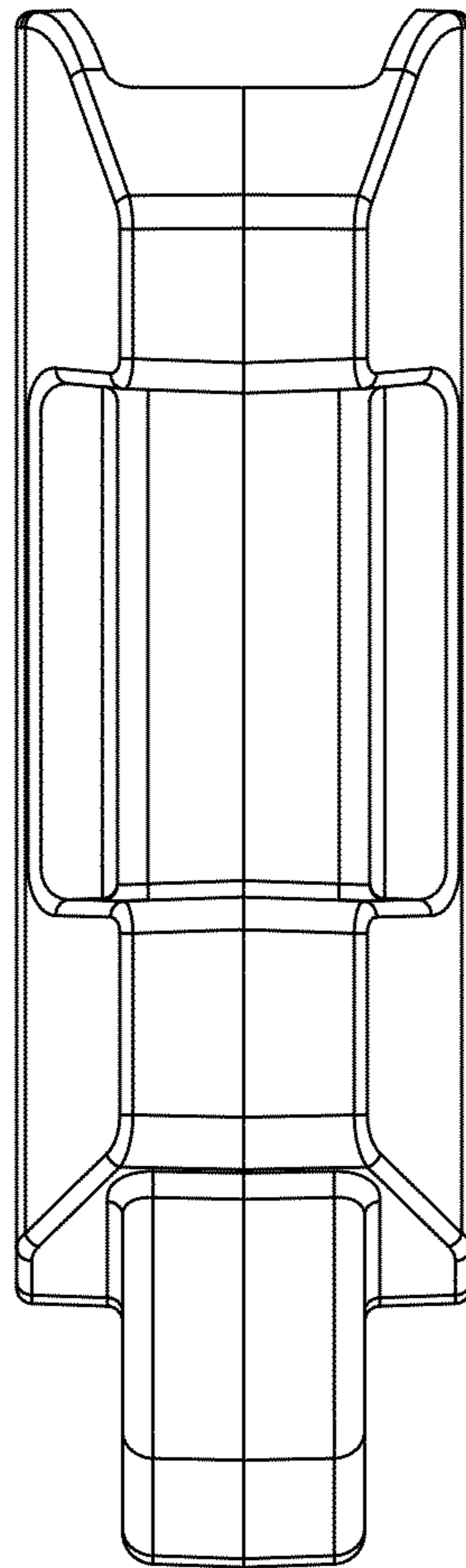


FIG. 20

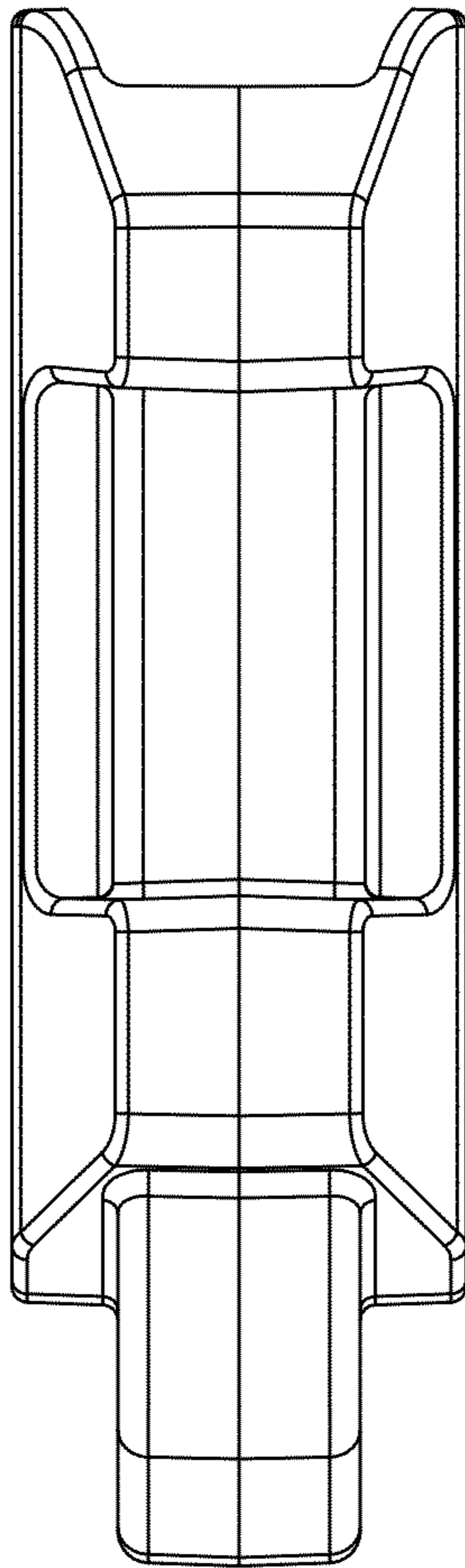


FIG. 21

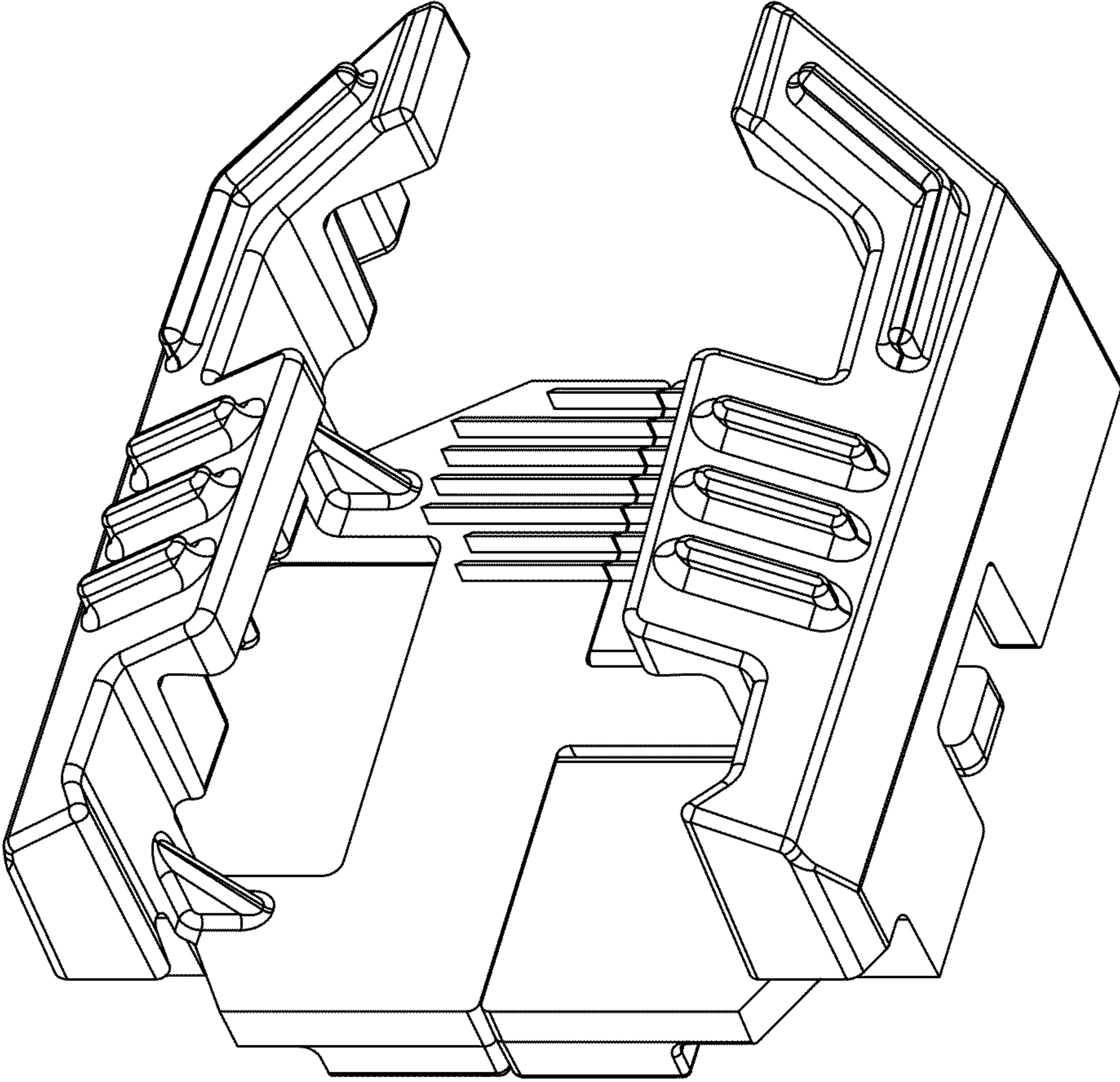


FIG. 22

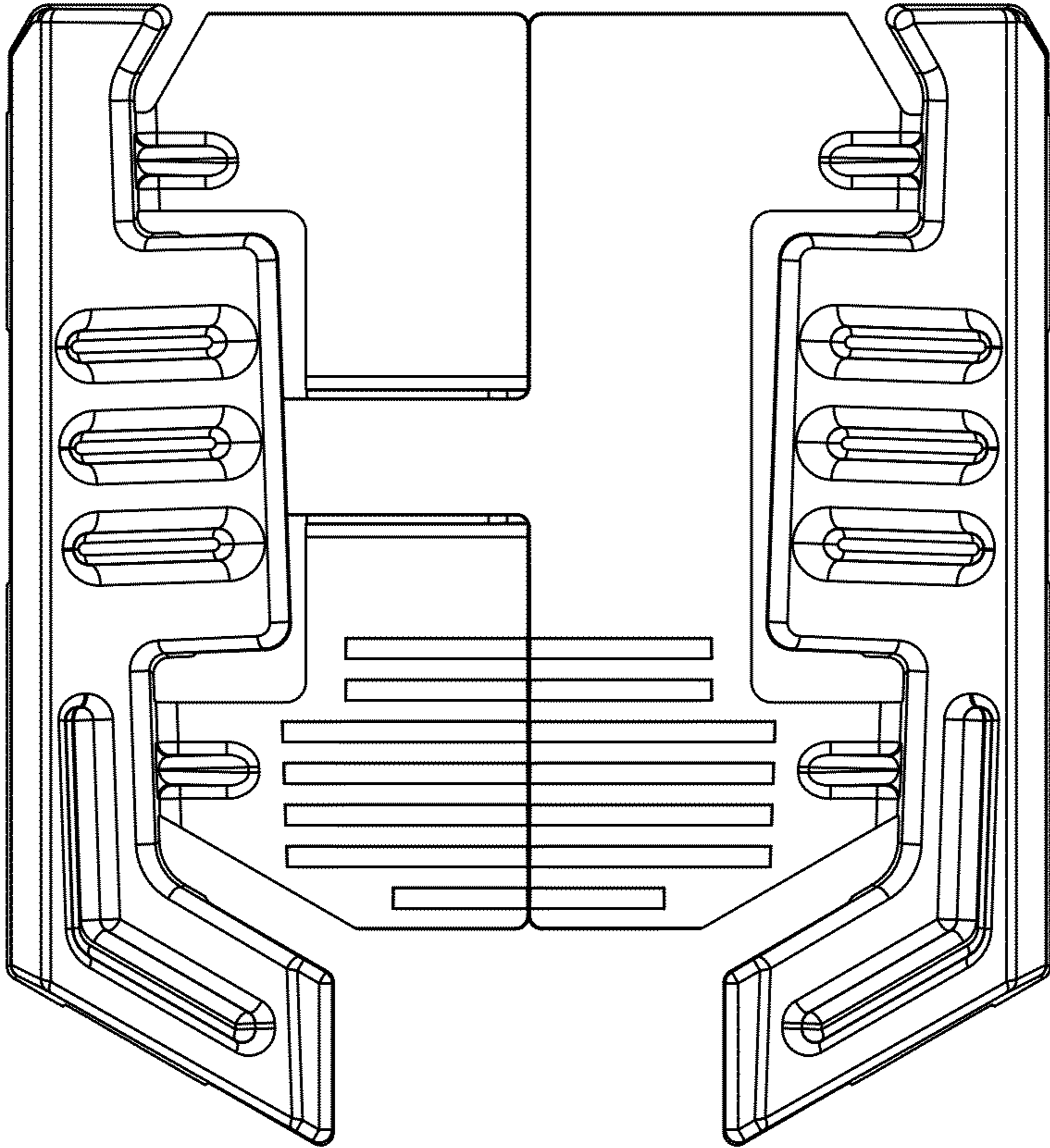


FIG. 23



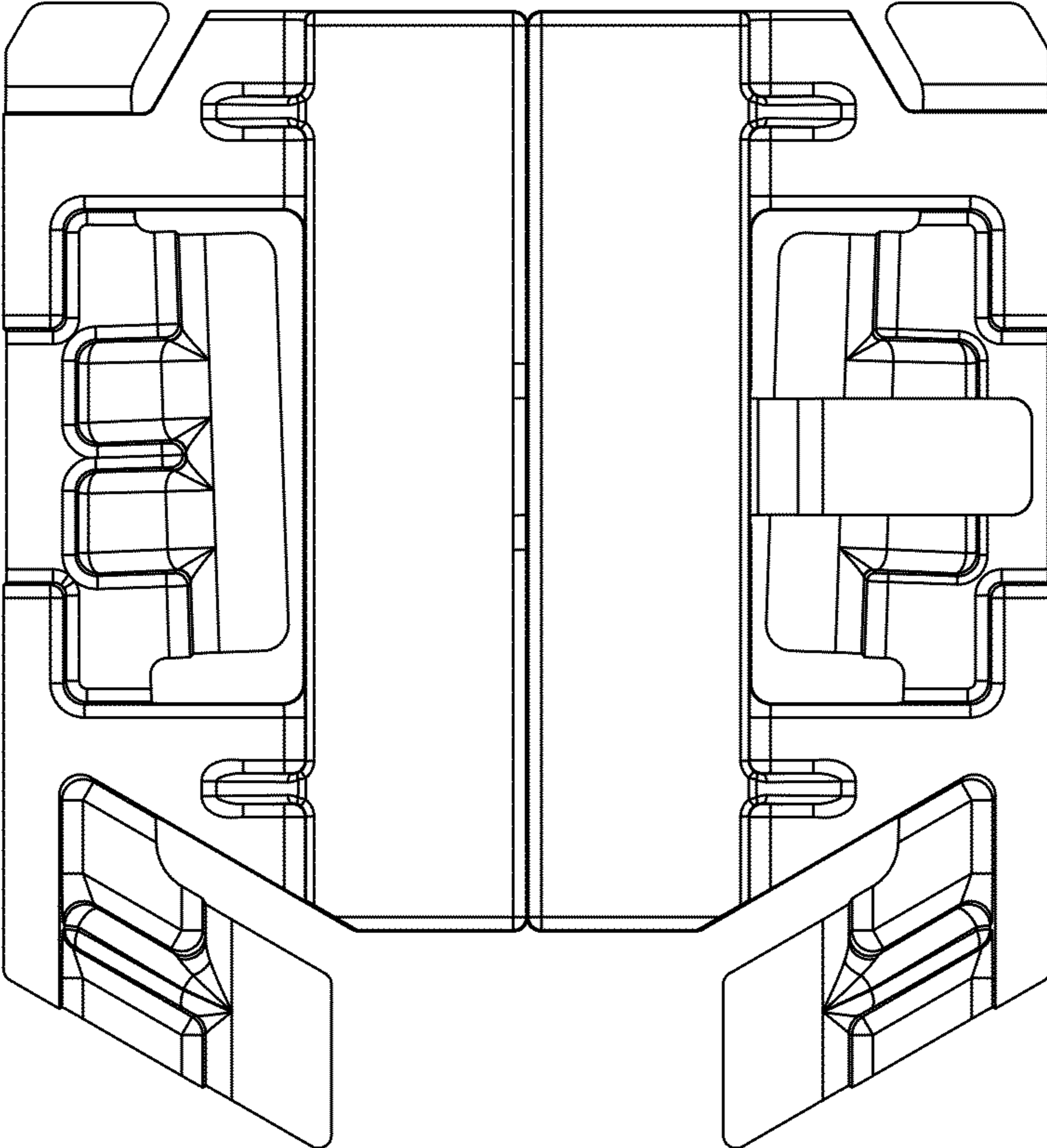


FIG. 24

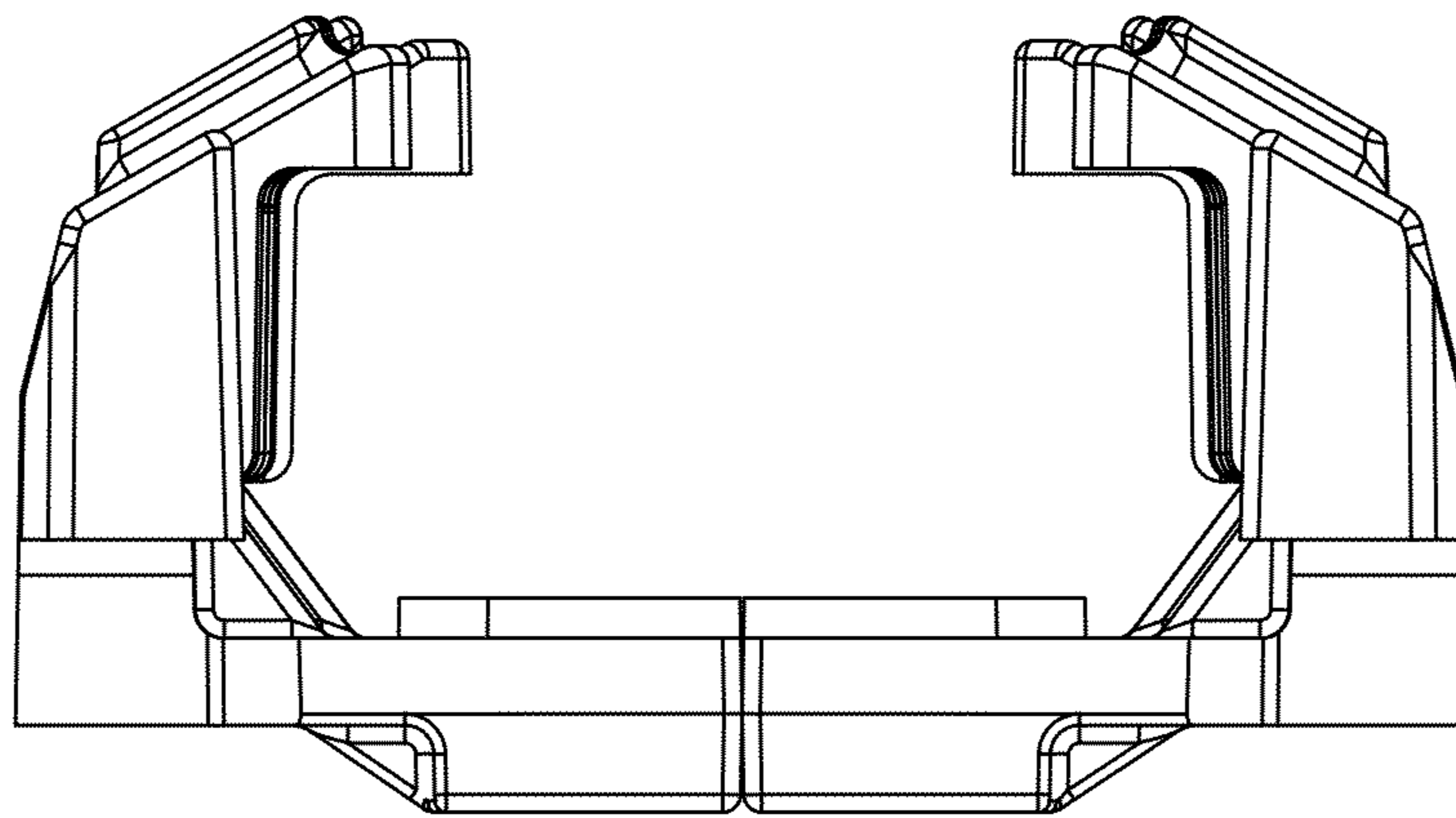


FIG. 25

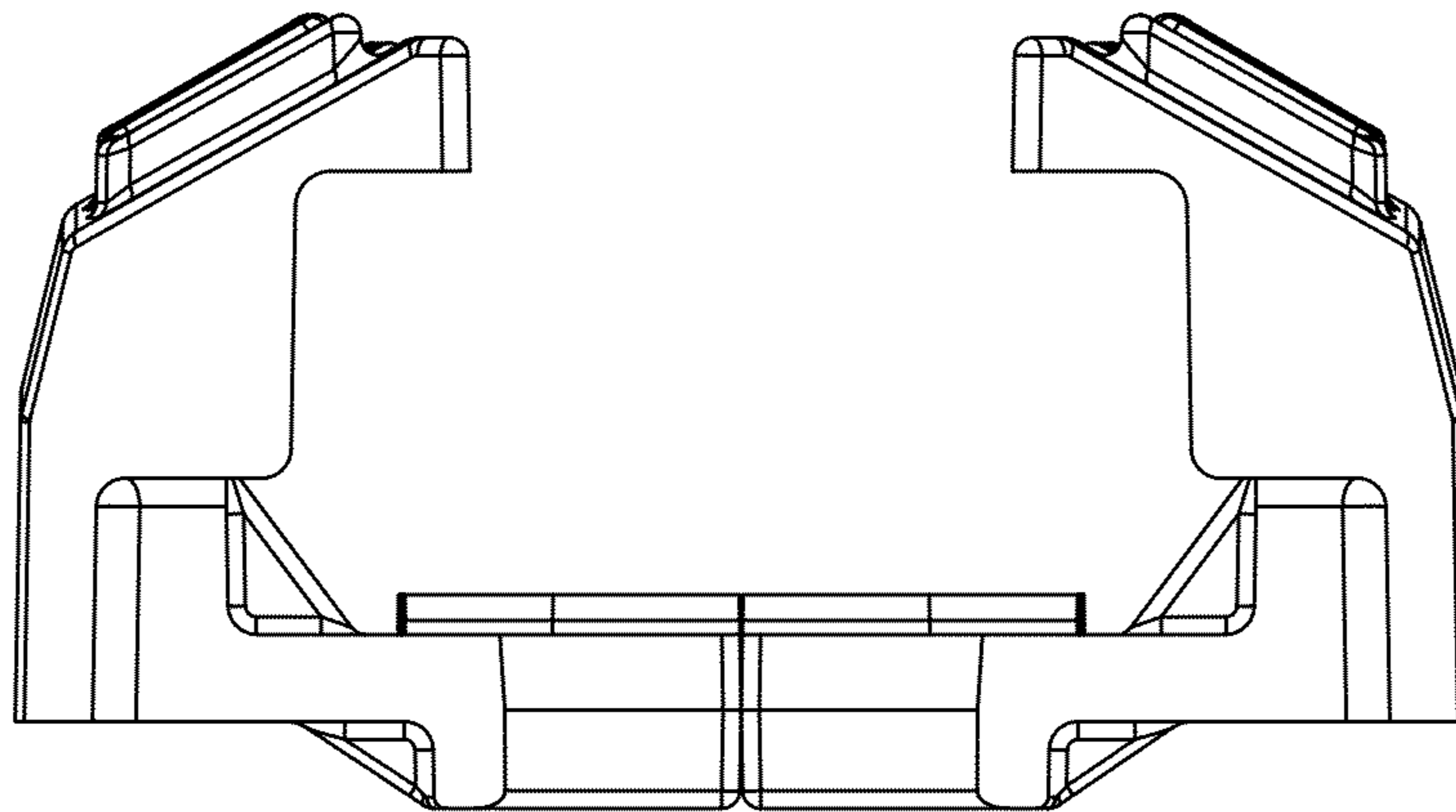


FIG. 26

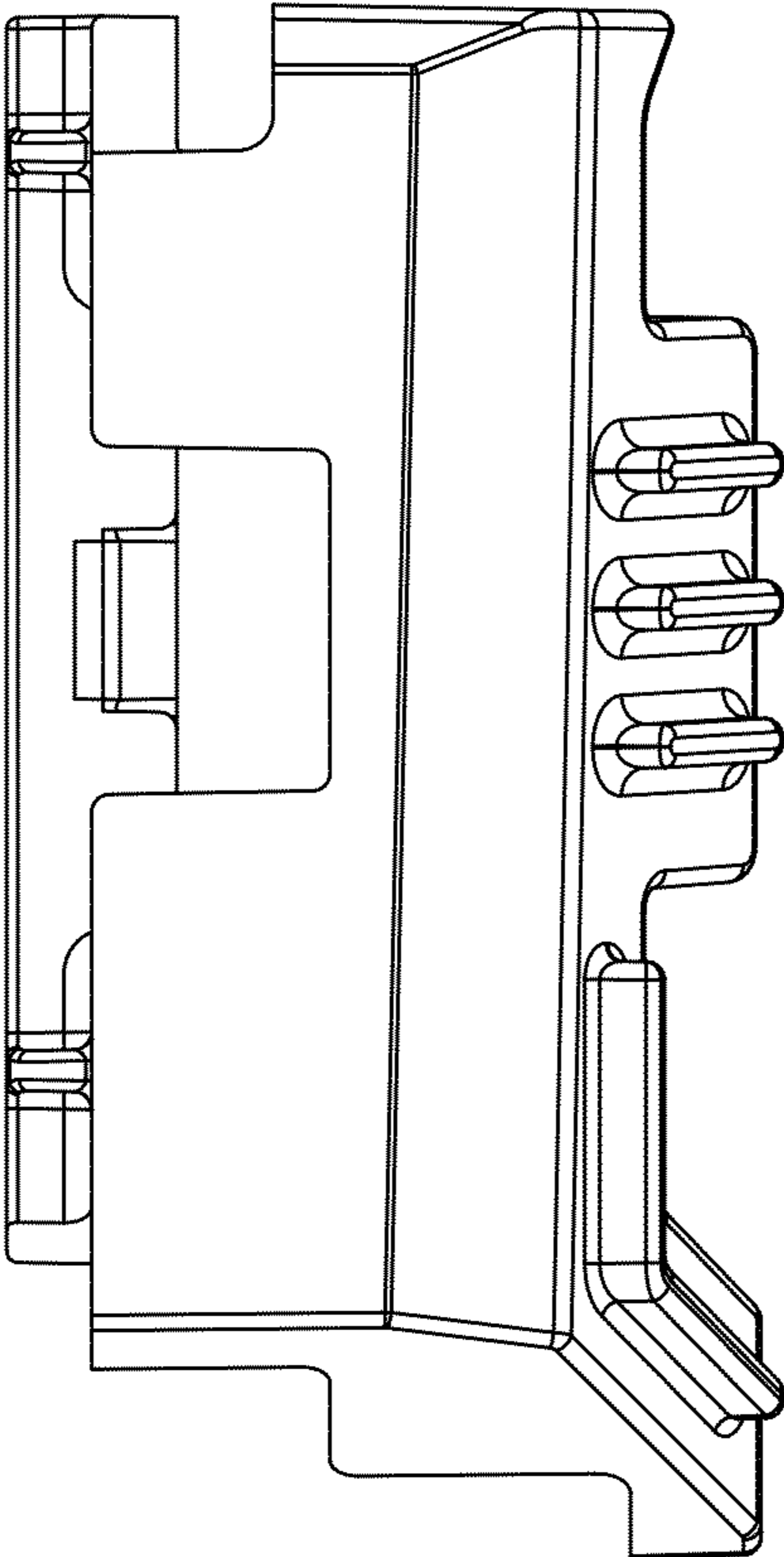


FIG. 27

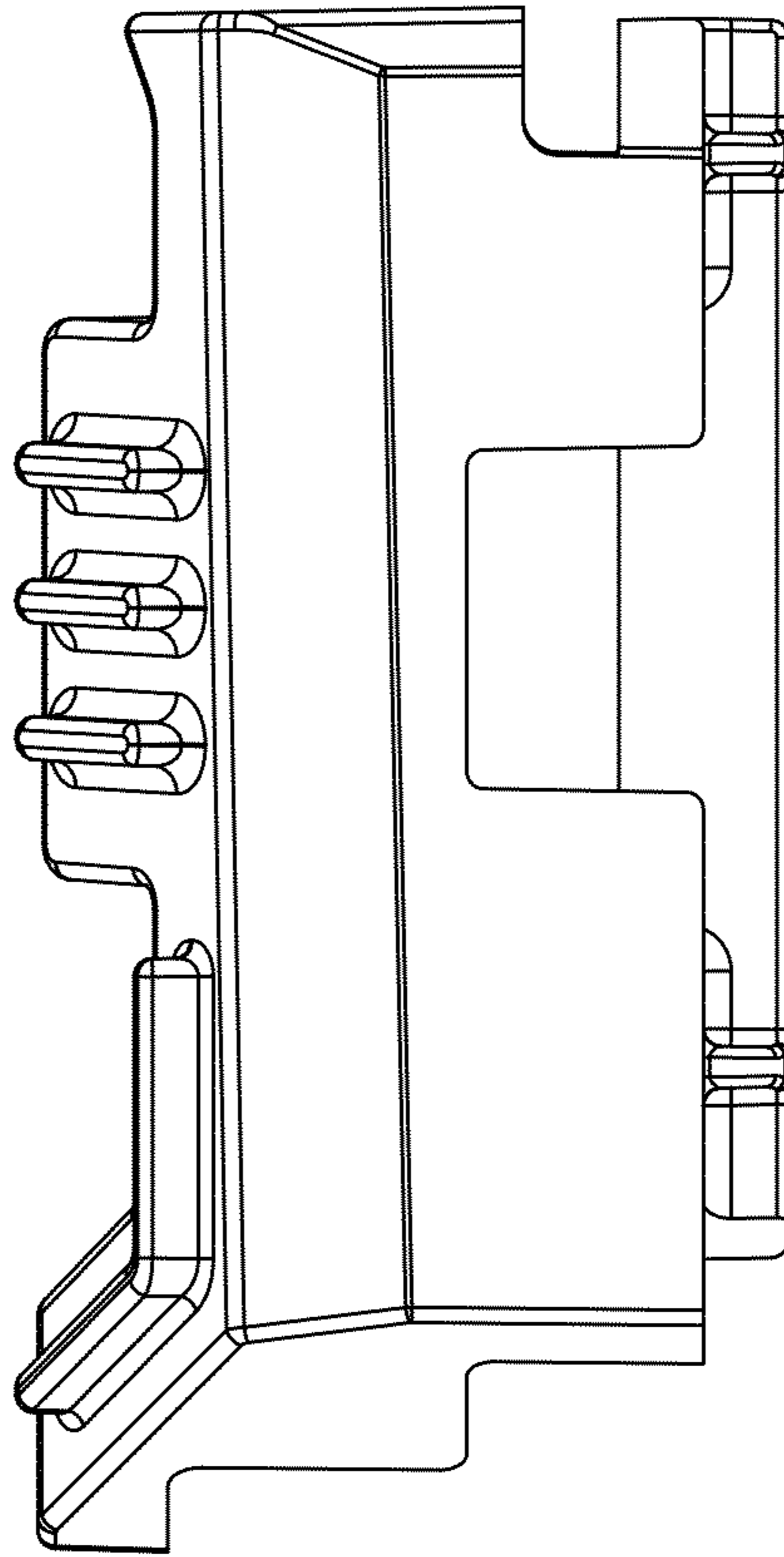


FIG. 28