

US00D723130S

(12) **United States Design Patent**
Barrett

(10) **Patent No.:** **US D723,130 S**
(45) **Date of Patent:** **** Feb. 24, 2015**

(54) **BARREL NUT FOR A FIREARM**
(71) Applicant: **Sturm, Ruger & Company, Inc.**,
Southport, CT (US)
(72) Inventor: **Jonathan Barrett**, Georges Mills, NH
(US)
(73) Assignee: **Sturm, Ruger & Company, Inc.**
(**) Term: **14 Years**
(21) Appl. No.: **29/465,732**
(22) Filed: **Aug. 30, 2013**
(51) **LOC (10) Cl.** **22-01**
(52) **U.S. Cl.**
USPC **D22/108**
(58) **Field of Classification Search**
CPC F41A 21/02; F41A 21/08; F41A 21/48;
F41A 21/481; F41A 21/482; F41A 21/484;
F41A 21/485; F41A 21/487; F41A 21/488
USPC D22/108; 42/8-12, 44, 63-64,
42/75.01-75.04, 76.01, 76.02-76.1;
89/14.05, 14.1-14.8
See application file for complete search history.

6,694,660	B1 *	2/2004	Davies	42/75.01
6,959,509	B2 *	11/2005	Vais	42/75.02
7,464,496	B1 *	12/2008	Davies et al.	42/75.02
7,966,762	B2 *	6/2011	Barrett	42/75.03
8,069,604	B2 *	12/2011	Larue	42/75.1
8,141,287	B2 *	3/2012	Dubois	42/75.02
8,713,838	B2 *	5/2014	Ubl et al.	42/71.01
8,726,559	B1 *	5/2014	Mueller	42/75.02
2011/0016762	A1 *	1/2011	Davies	42/75.01
2013/0180151	A1 *	7/2013	Moore	42/90

* cited by examiner

Primary Examiner — Michael A Pratt

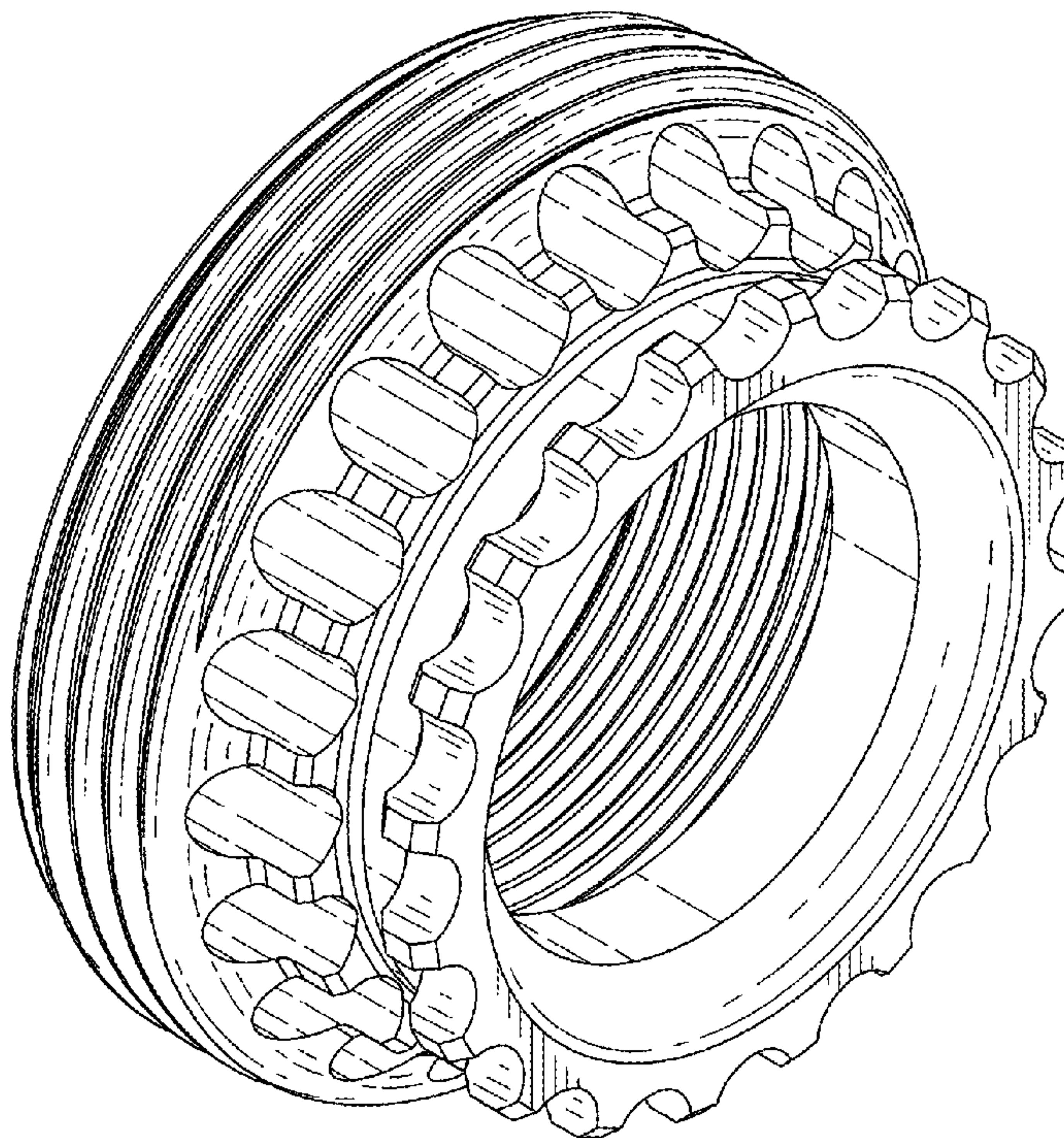
(74) Attorney, Agent, or Firm — The Belles Group, P.C.

(56) **References Cited**
U.S. PATENT DOCUMENTS
3,118,243 A * 1/1964 Mansel 42/76.02
5,987,797 A * 11/1999 Dustin 42/75.02

(57) **CLAIM**
The ornamental design for a barrel nut for a firearm, as shown and described.

DESCRIPTION
FIG. 1 is a front perspective view of a barrel nut according to the new design;
FIG. 2 is a rear perspective view thereof;
FIG. 3 is a front elevation view thereof;
FIG. 4 is a rear elevation view thereof;
FIG. 5 is a top view thereof, the bottom view being a mirror image thereof; and,
FIG. 6 is a right side elevation view thereof, the left side elevation view being a mirror image thereof.

1 Claim, 6 Drawing Sheets



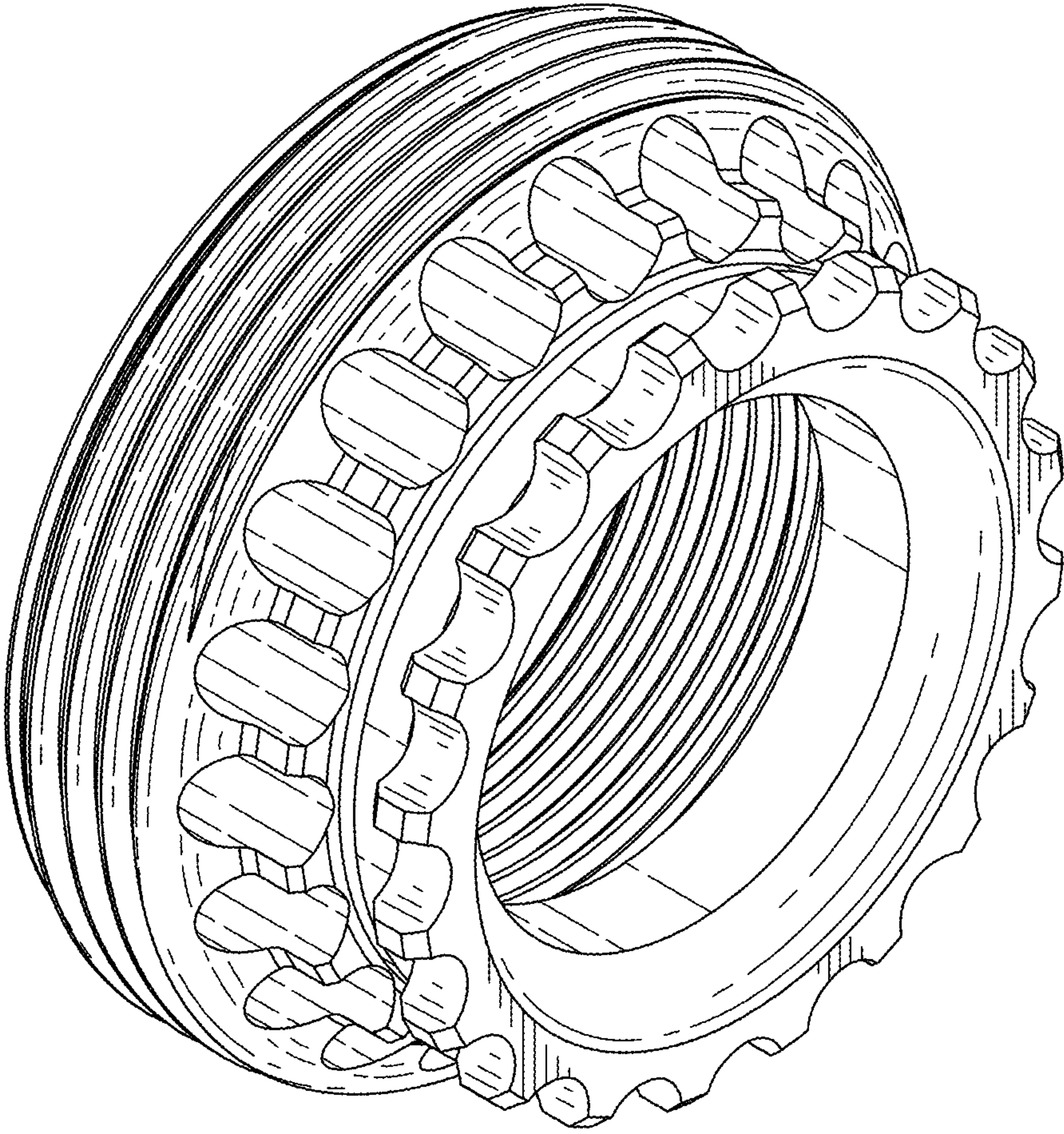


FIG. 1

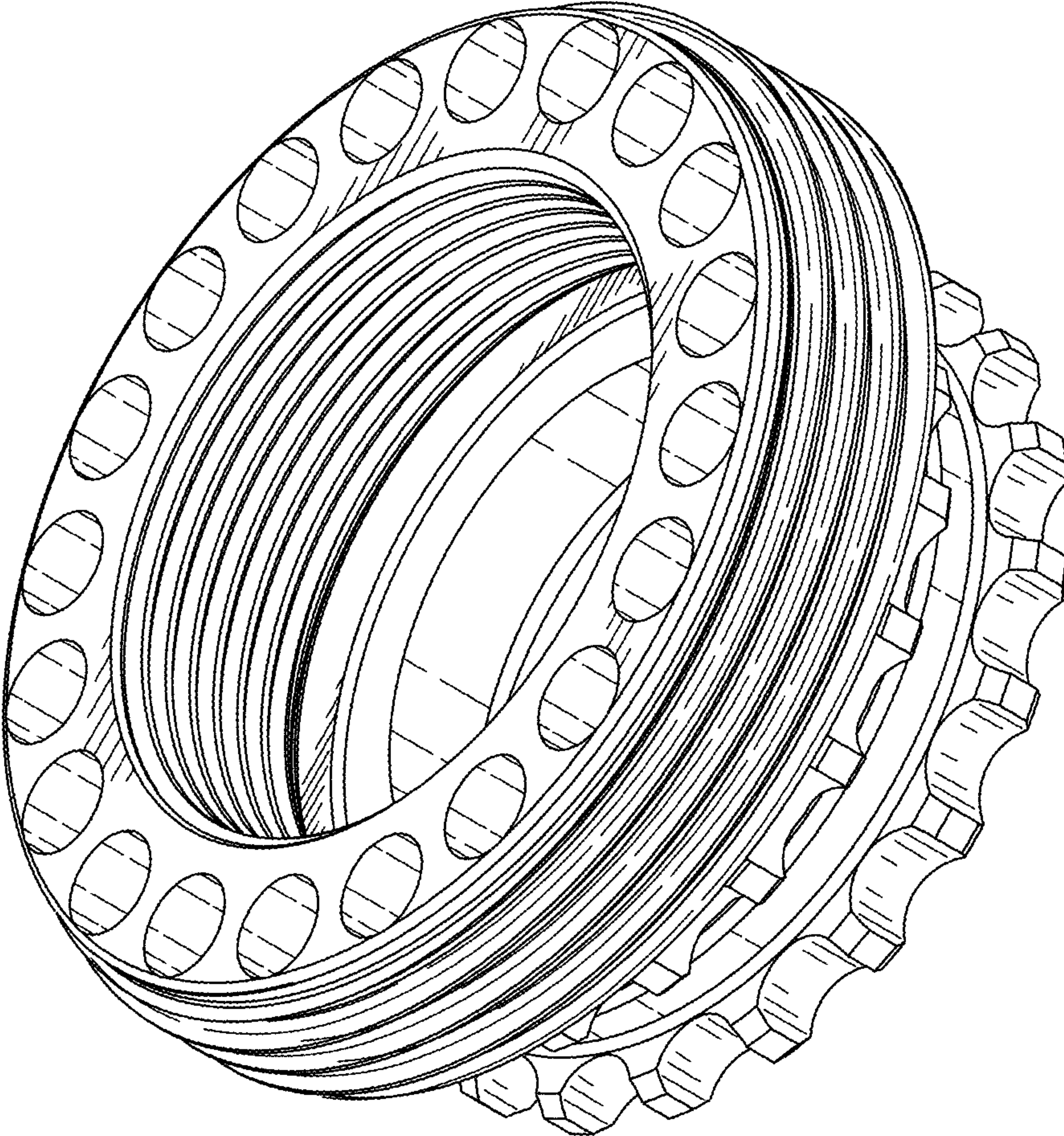


FIG. 2

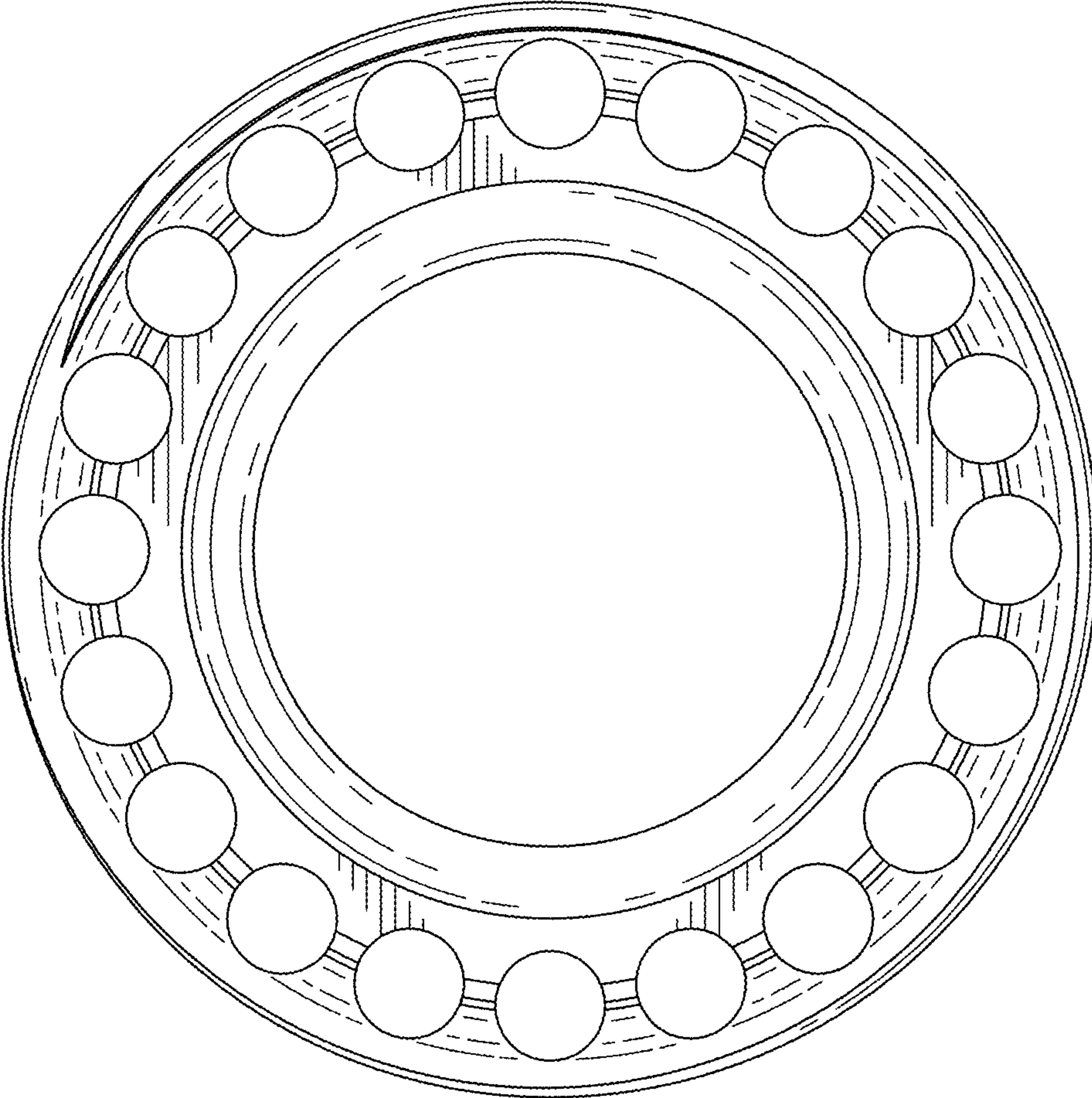


FIG. 3

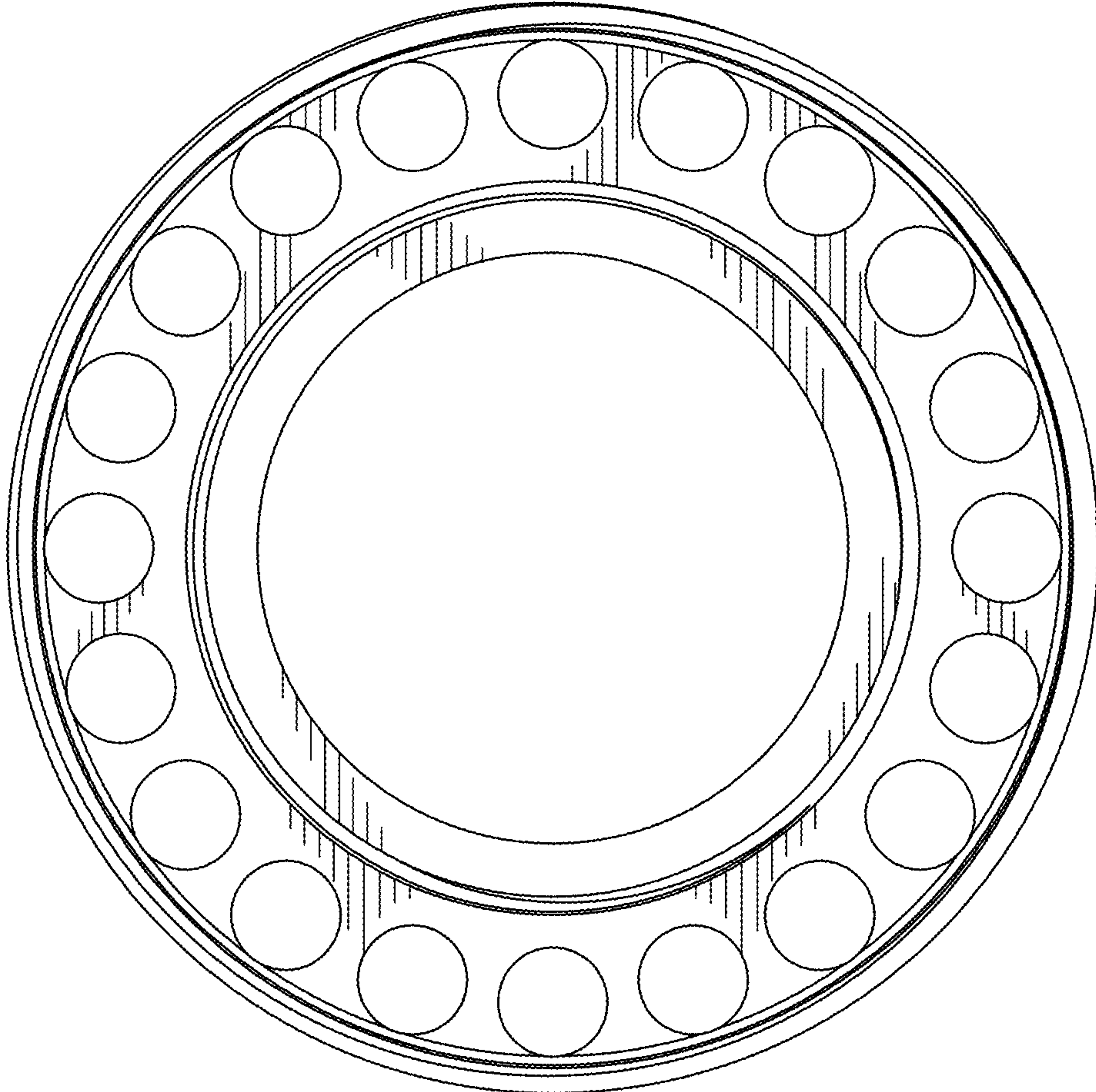


FIG. 4

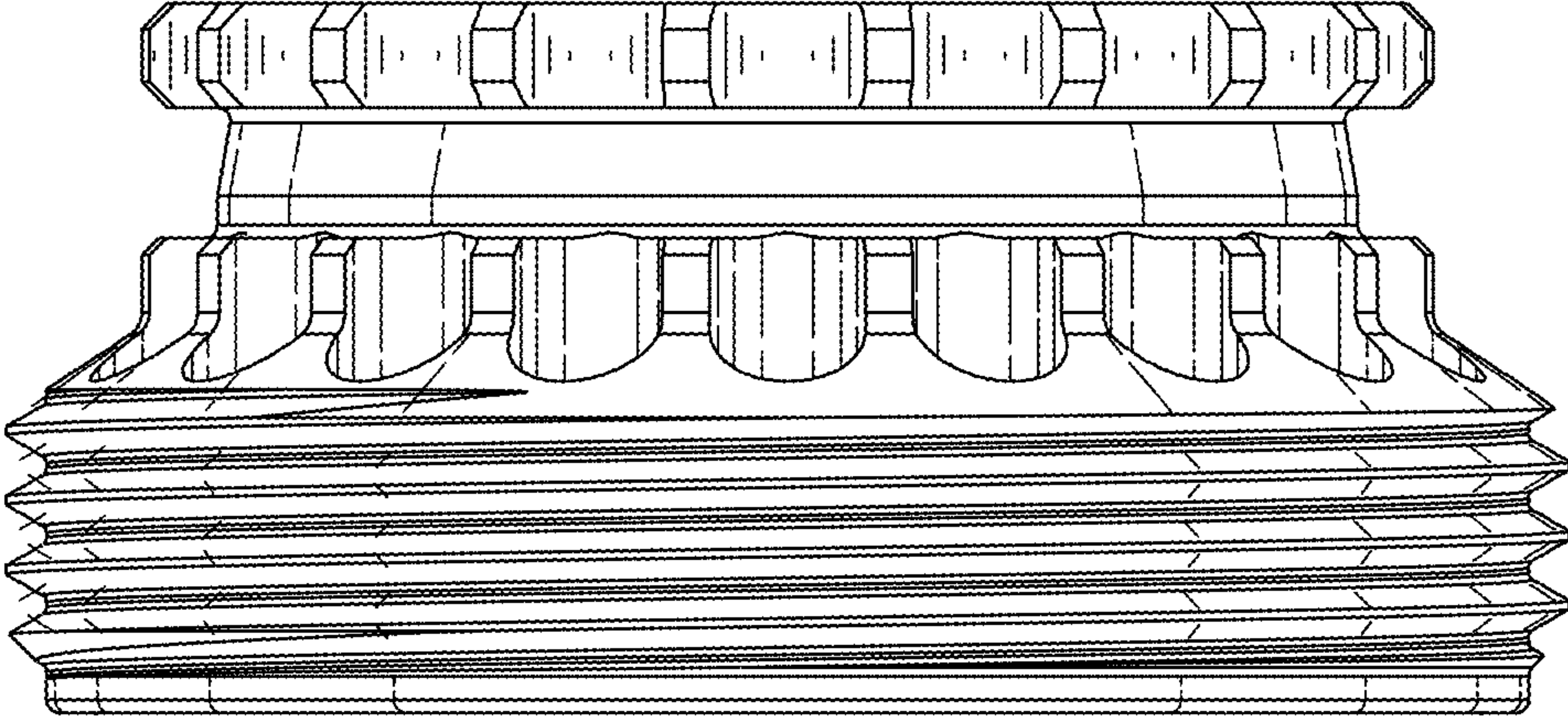


FIG. 5

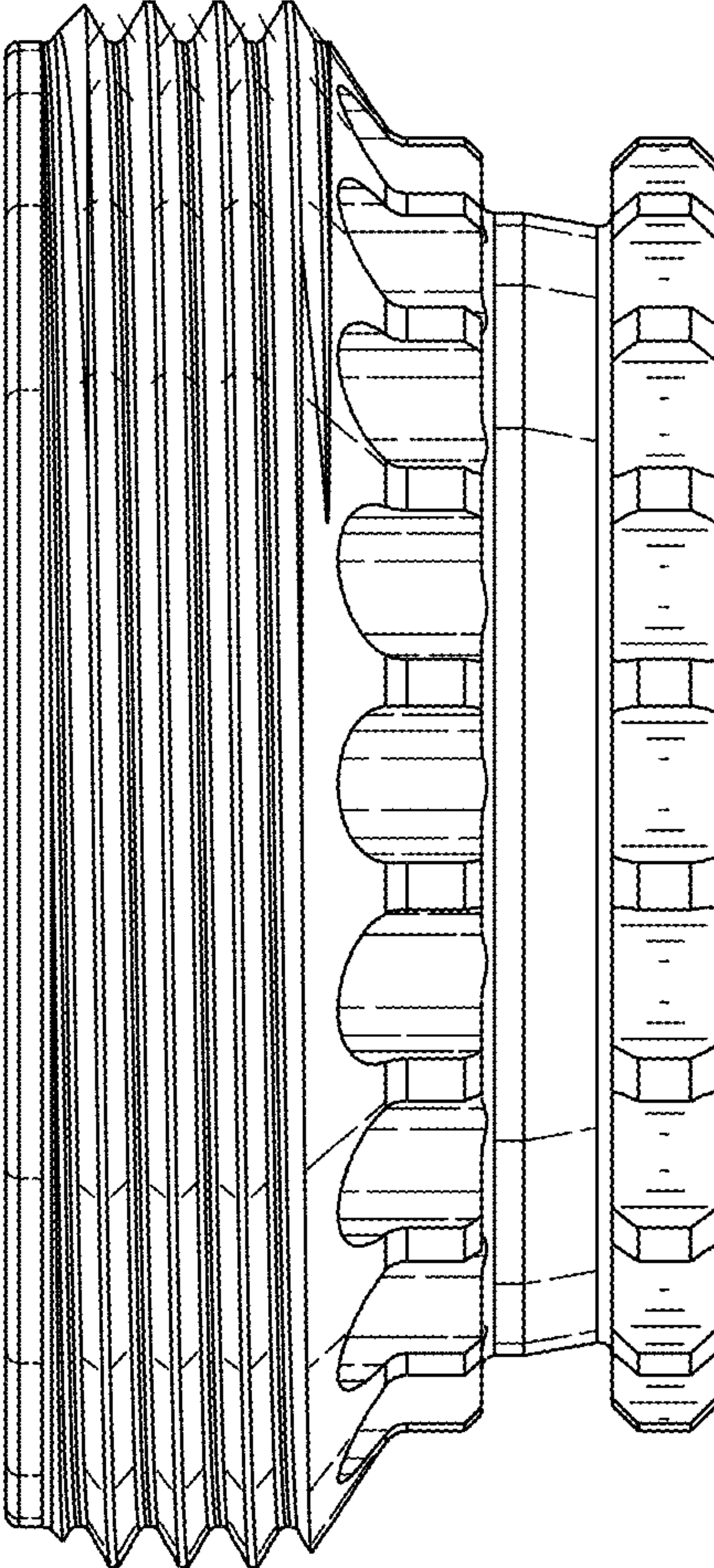


FIG. 6