



US00D723127S

(12) **United States Design Patent**
Green et al.

(10) **Patent No.:** **US D723,127 S**
(45) **Date of Patent:** **** Feb. 24, 2015**

(54) **PLAYGROUND TOWER**

(71) Applicant: **Lifetime Products, Inc.**, Clearfield, UT (US)

(72) Inventors: **Danny Green**, Layton, UT (US); **Robert A. Astle**, Kaysville, UT (US); **Joel Bennett**, Clinton, UT (US); **Eric Olsen**, West Haven, UT (US)

(73) Assignee: **Lifetime Products, Inc.**, Clearfield, UT (US)

(**) Term: **14 Years**

(21) Appl. No.: **29/469,503**

(22) Filed: **Oct. 10, 2013**

(51) **LOC (10) Cl.** **21-03**

(52) **U.S. Cl.**
USPC **D21/814; D21/826**

(58) **Field of Classification Search**
USPC **D21/811, 814, 818-827; 482/35, 36**
See application file for complete search history.

(56) **References Cited**

U.S. PATENT DOCUMENTS

D170,143 S *	8/1953	Beethovan	D21/509
D176,551 S *	1/1956	Patterson	D21/511
D181,565 S *	11/1957	Wallace et al.	D21/834
3,485,494 A *	12/1969	Lieberman	482/35
3,561,757 A *	2/1971	Schillig	482/35

(Continued)

Primary Examiner — Mitchell Siegel

(74) *Attorney, Agent, or Firm* — Workman Nydegger

(57) **CLAIM**

The ornamental design for a playground tower, as shown and described.

DESCRIPTION

FIG. 1 is a perspective view of an embodiment of a playground tower;

FIG. 2 is a front side elevation view of the playground tower shown in FIG. 1;

FIG. 3 is a right side elevation view of the playground tower shown in FIG. 1;

FIG. 4 is a rear elevation view of the playground tower shown in FIG. 1;

FIG. 5 is a left side elevation view of the playground tower shown in FIG. 1;

FIG. 6 is a top view of the playground tower shown in FIG. 1;

FIG. 7 is a bottom view of the playground tower shown in FIG. 1;

FIG. 8 is a perspective view of a second embodiment of the playground tower;

FIG. 9 is a front side elevation view of the playground tower shown in FIG. 8;

FIG. 10 is a right side elevation view of the playground tower shown in FIG. 8;

FIG. 11 is a rear elevation view of the playground tower shown in FIG. 8;

FIG. 12 is a left side elevation view of the playground tower shown in FIG. 8;

FIG. 13 is a top view of the playground tower shown in FIG. 8;

FIG. 14 is a bottom view of the playground tower shown in FIG. 8;

FIG. 15 is a perspective view of a third embodiment of the playground tower;

FIG. 16 is a front side elevation view of the playground tower shown in FIG. 15;

FIG. 17 is a right side elevation view of the playground tower shown in FIG. 15;

FIG. 18 is a rear elevation view of the playground tower shown in FIG. 15;

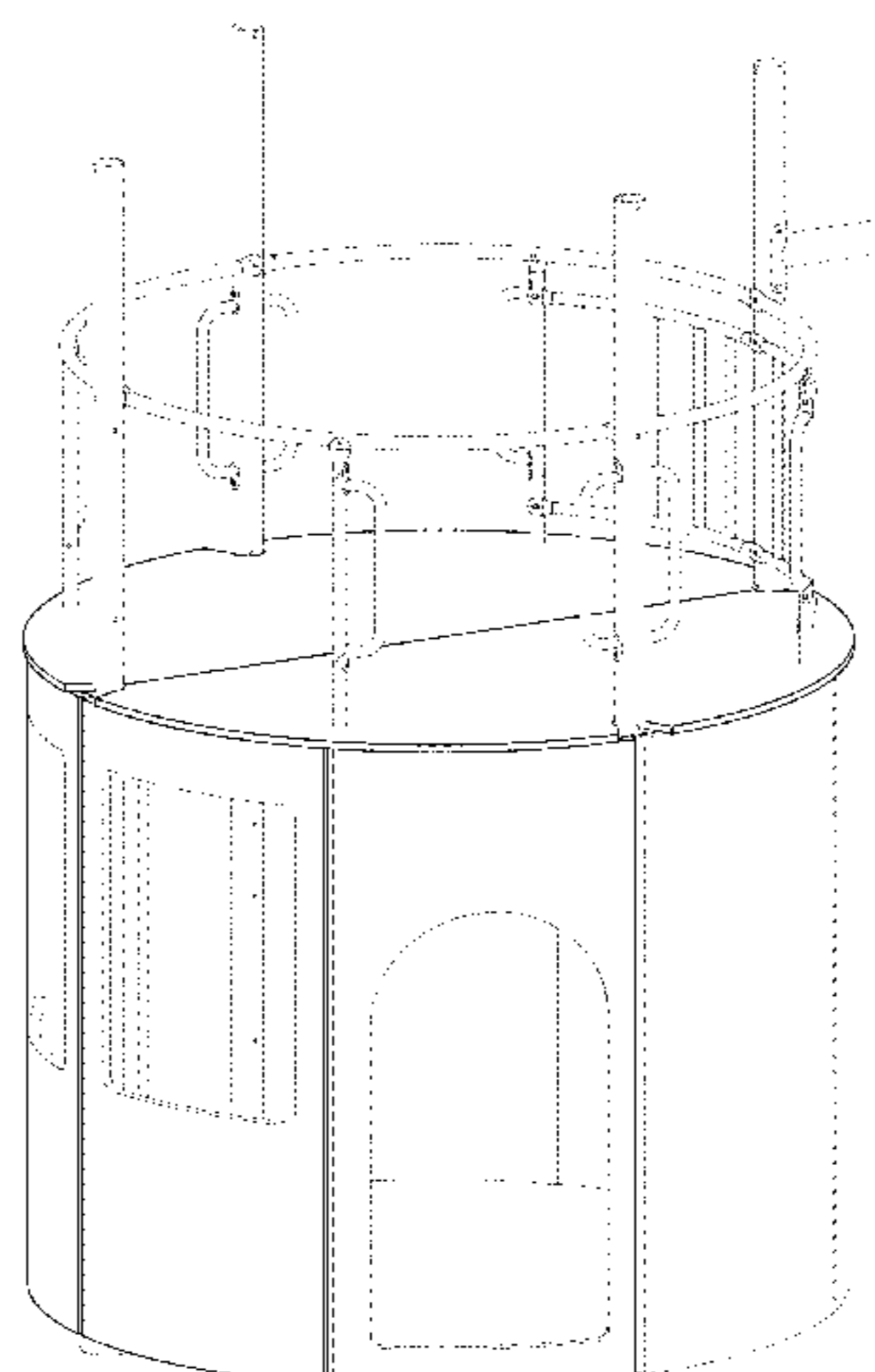
FIG. 19 is a left side elevation view of the playground tower shown in FIG. 15;

FIG. 20 is a top view of the playground tower shown in FIG. 15; and,

FIG. 21 is a bottom view of the playground tower shown in FIG. 15.

The broken lines shown in the Figures are for illustrative purposes only and form no part of the claimed design.

1 Claim, 21 Drawing Sheets



(56)

References Cited

U.S. PATENT DOCUMENTS

D224,029 S * 6/1972 Gale et al. D21/826
D281,986 S * 12/1985 Nottingham et al. D21/511
D308,562 S * 6/1990 Pentes D21/826
D344,121 S * 2/1994 Warren D21/814
D344,773 S * 3/1994 Aker et al. D21/818

D351,637 S * 10/1994 Neidig D21/510
D374,901 S * 10/1996 Cacciola et al. D21/511
D389,892 S * 1/1998 Van Wageningen D21/827
D393,303 S * 4/1998 Van Wageningen D21/827
D421,283 S * 2/2000 Briggs et al. D21/811
D627,848 S * 11/2010 Cline D21/814
D690,382 S * 9/2013 Kopp et al. D21/822

* cited by examiner

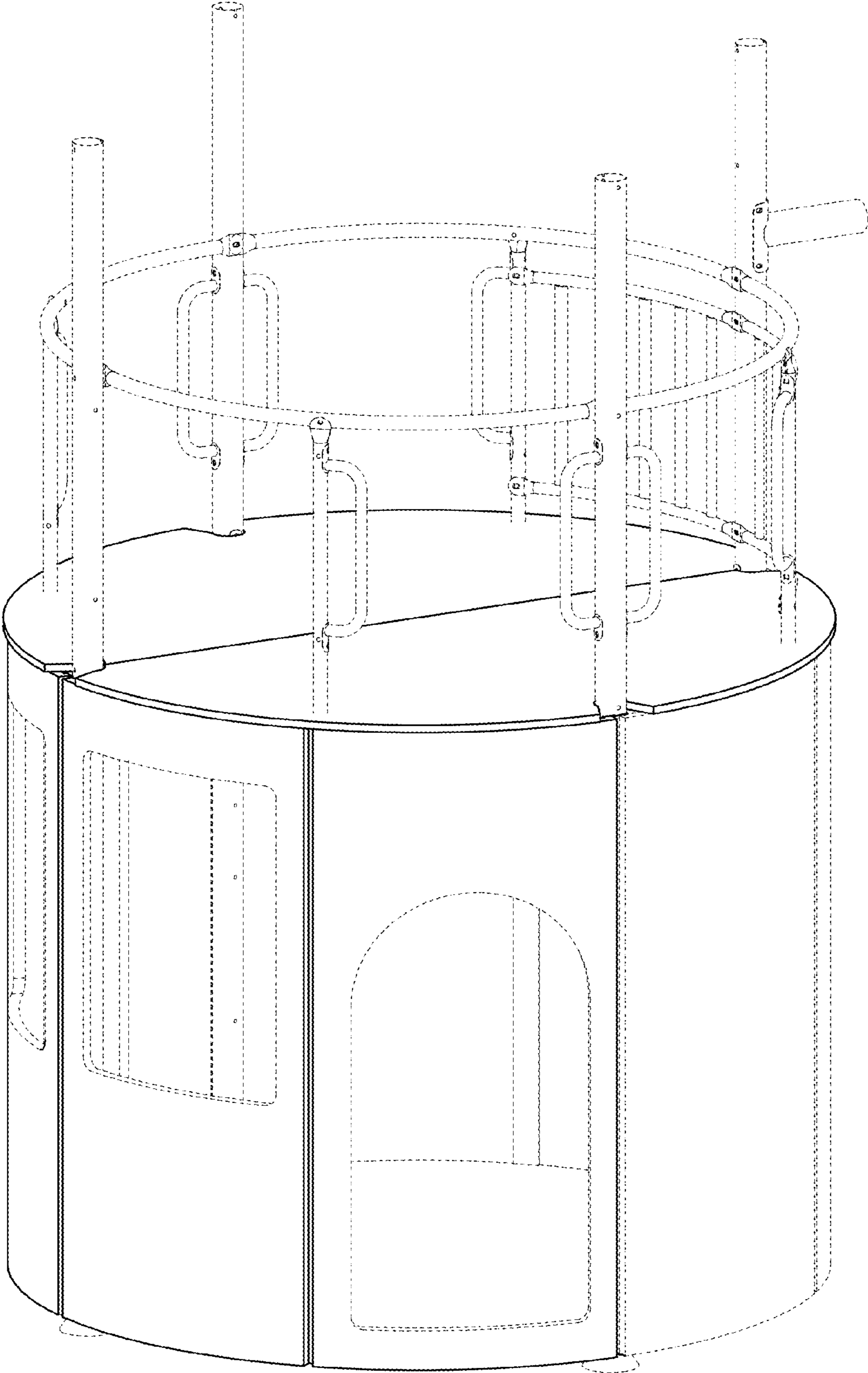


FIG. 1

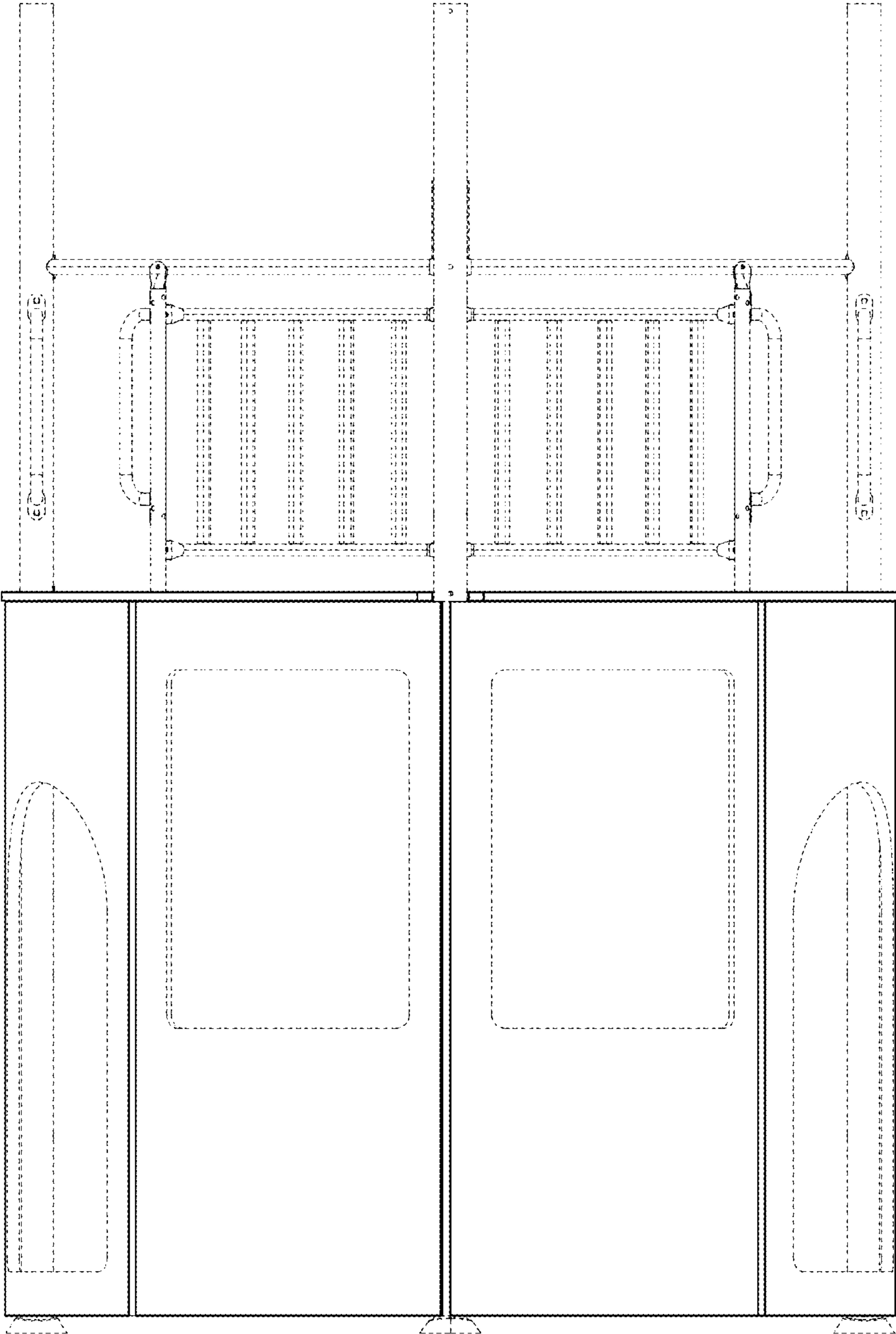


FIG. 2

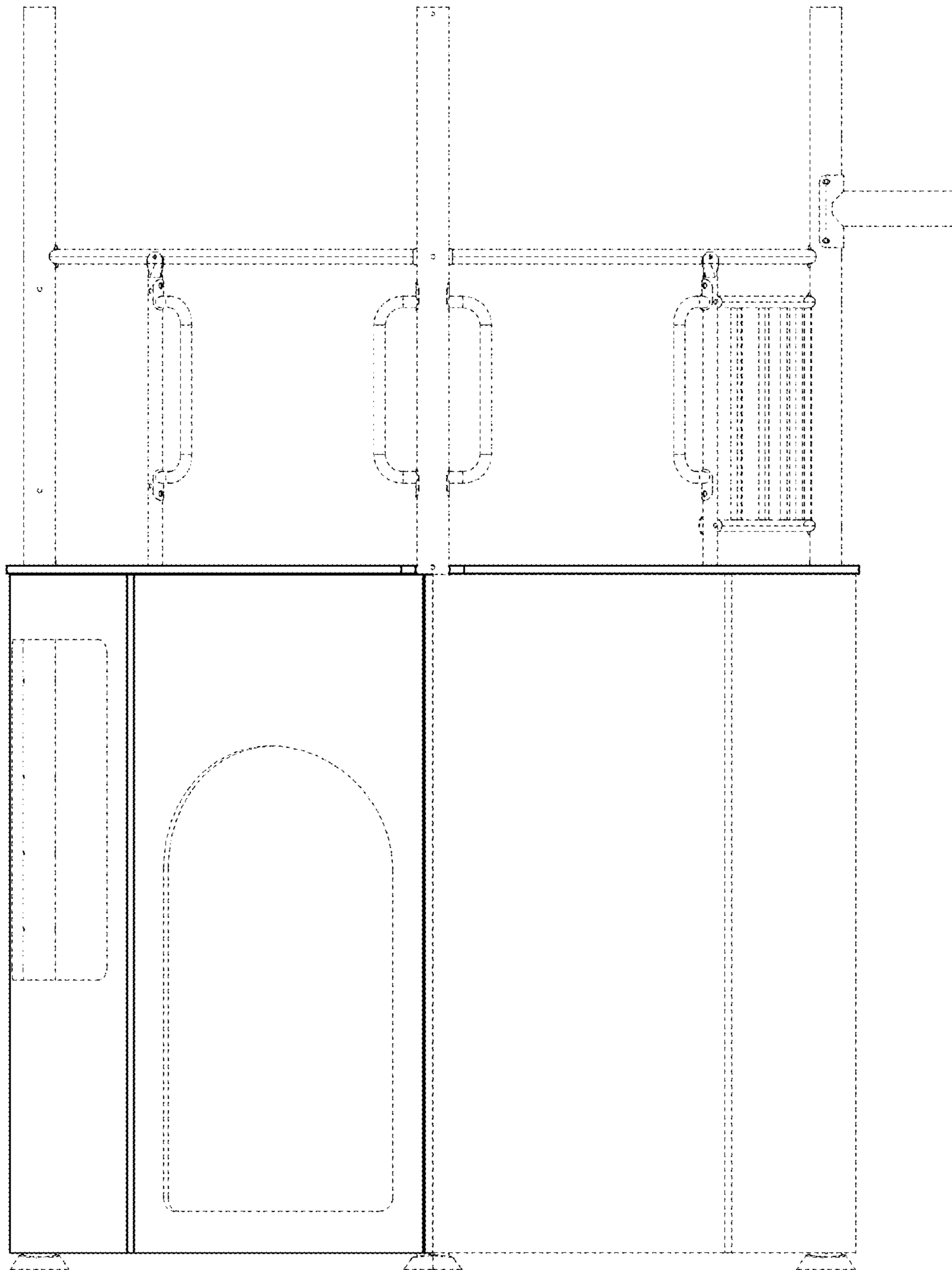


FIG. 3

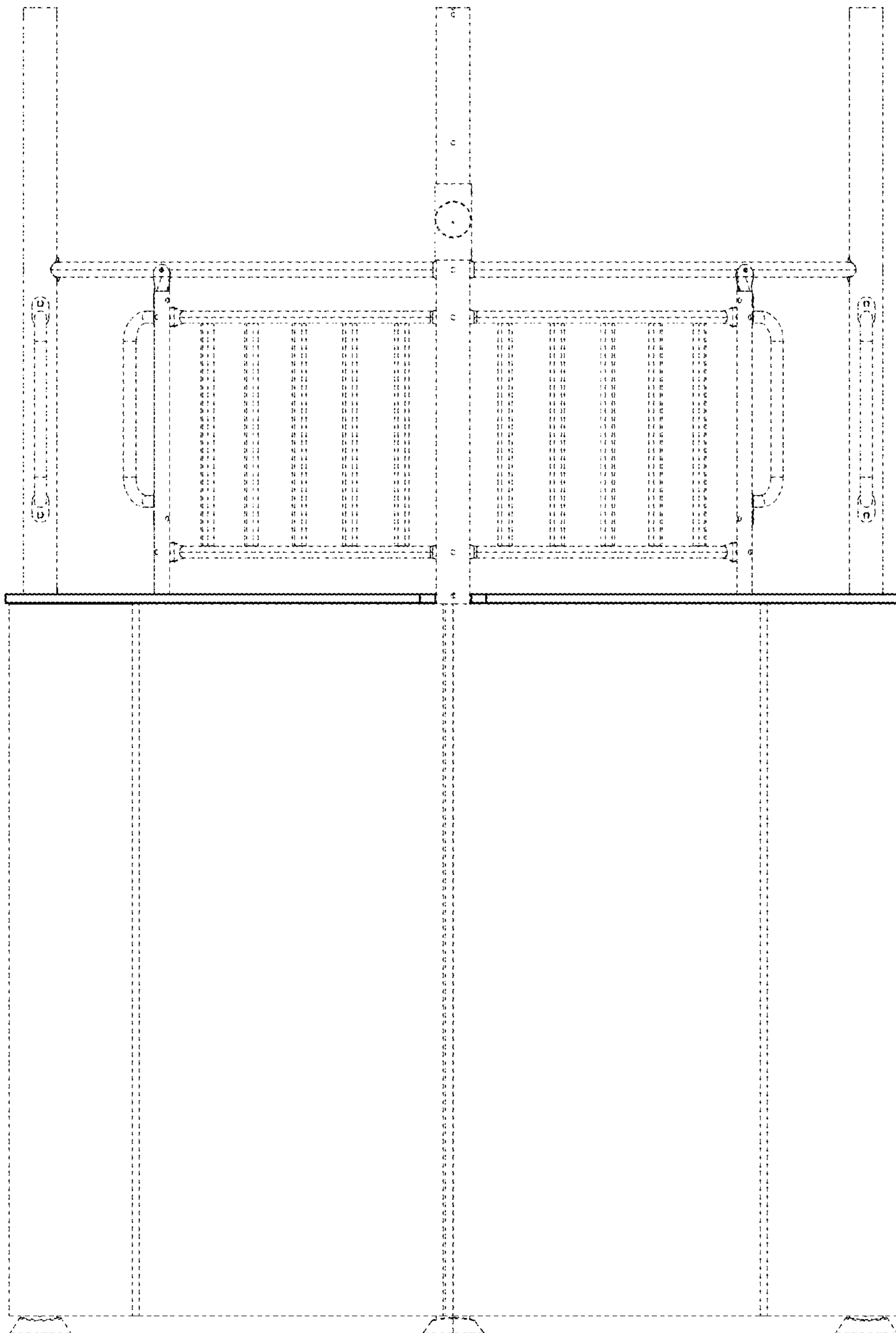


FIG. 4

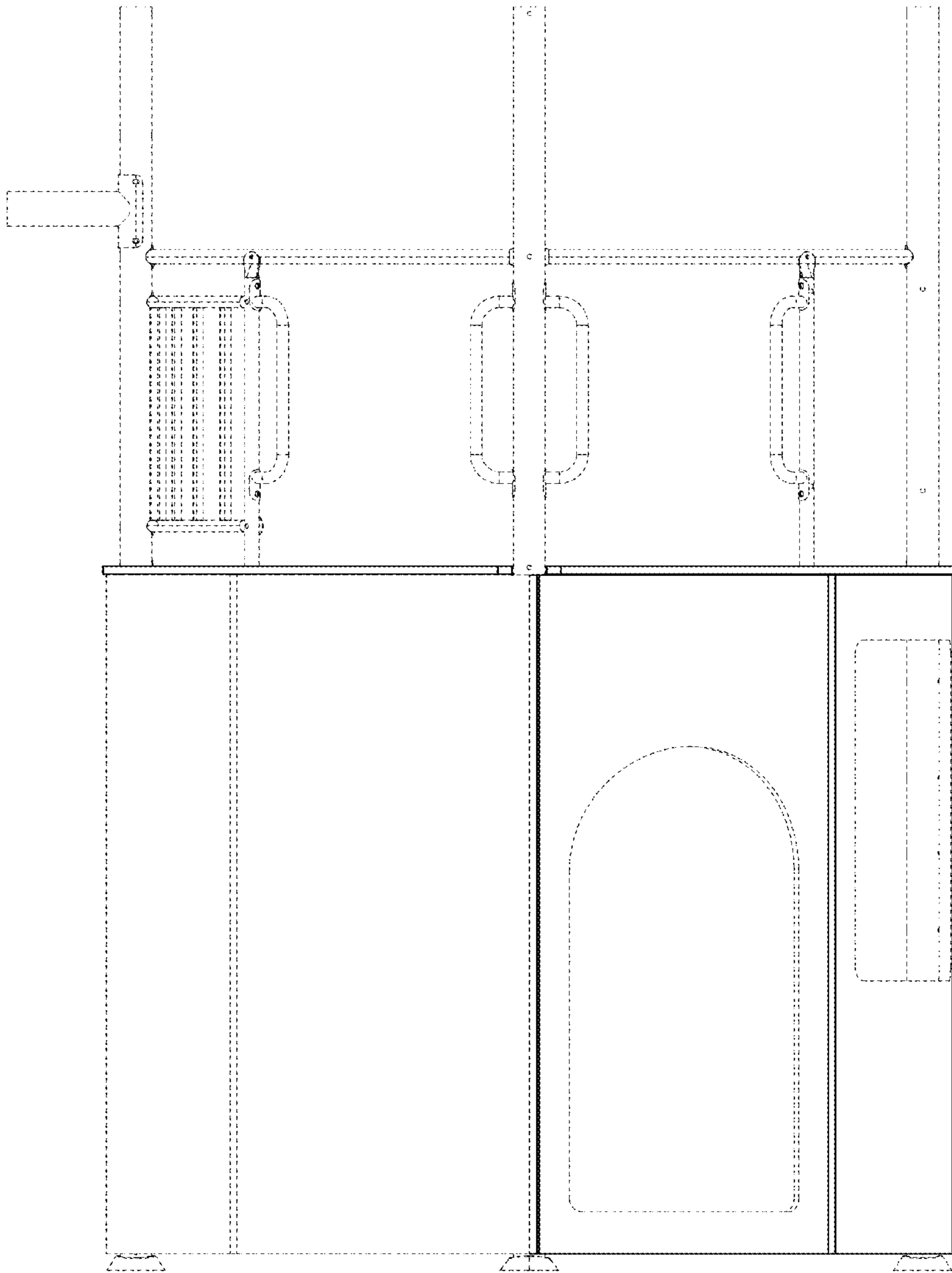


FIG. 5

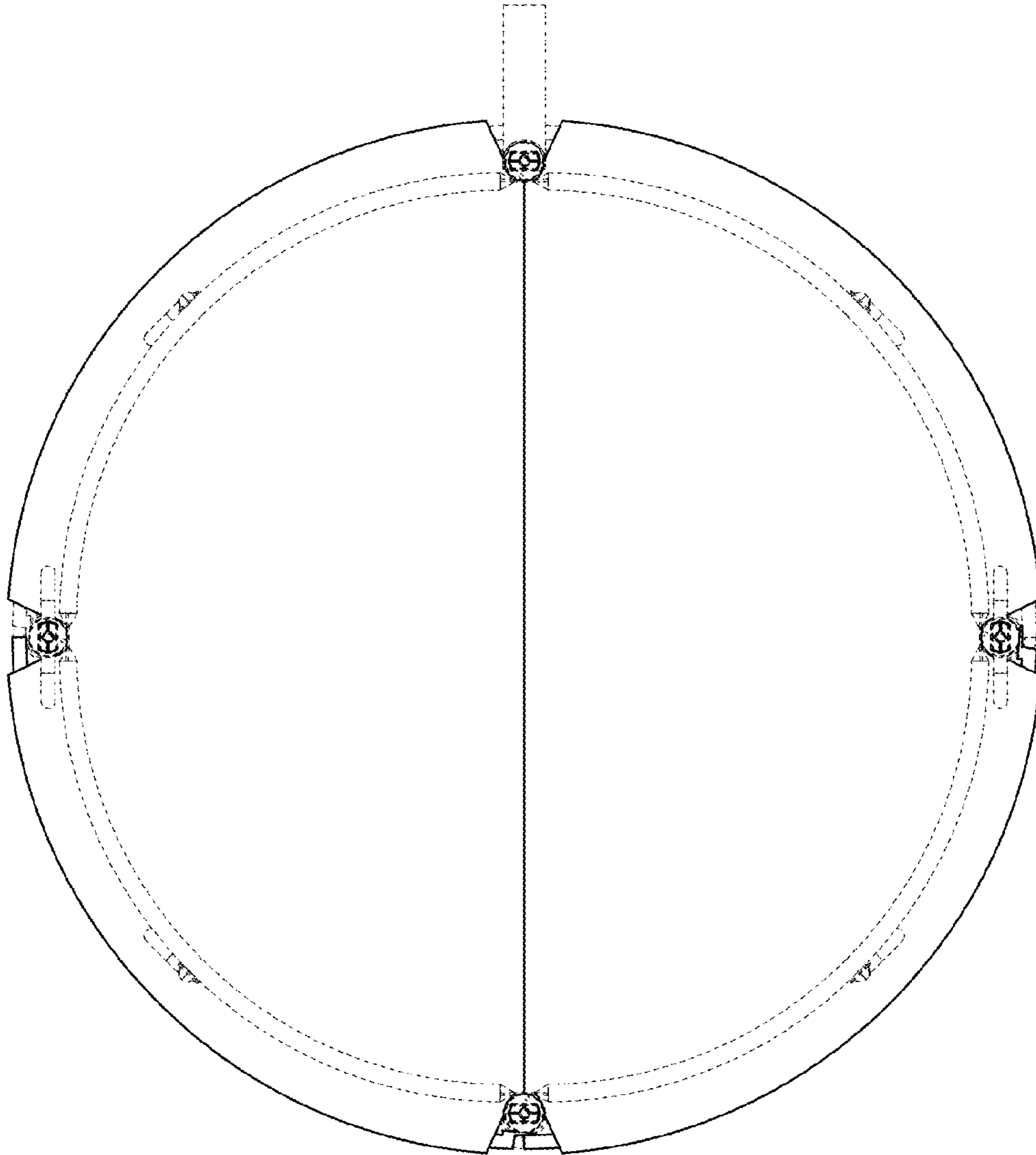


FIG. 6

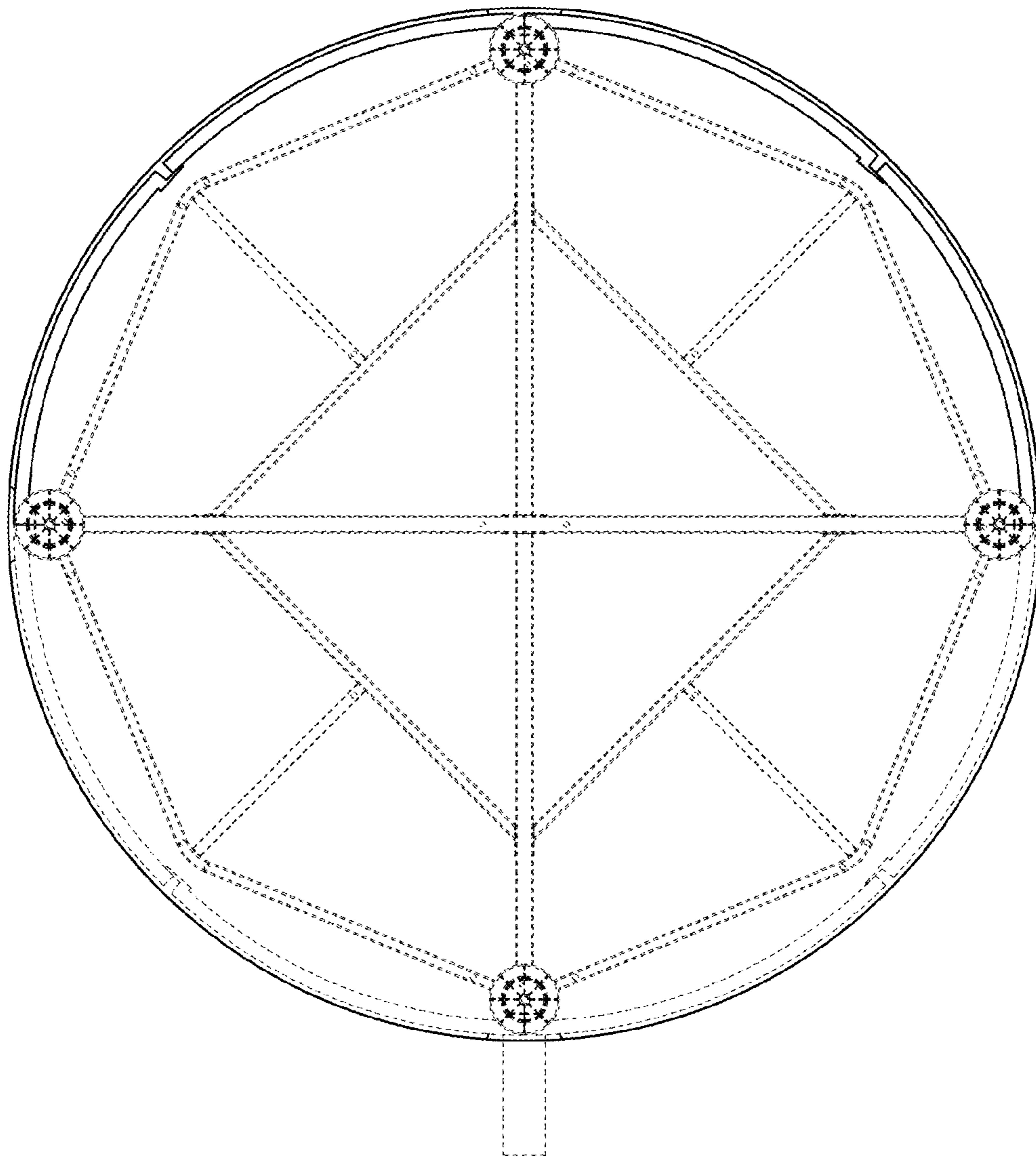


FIG. 7

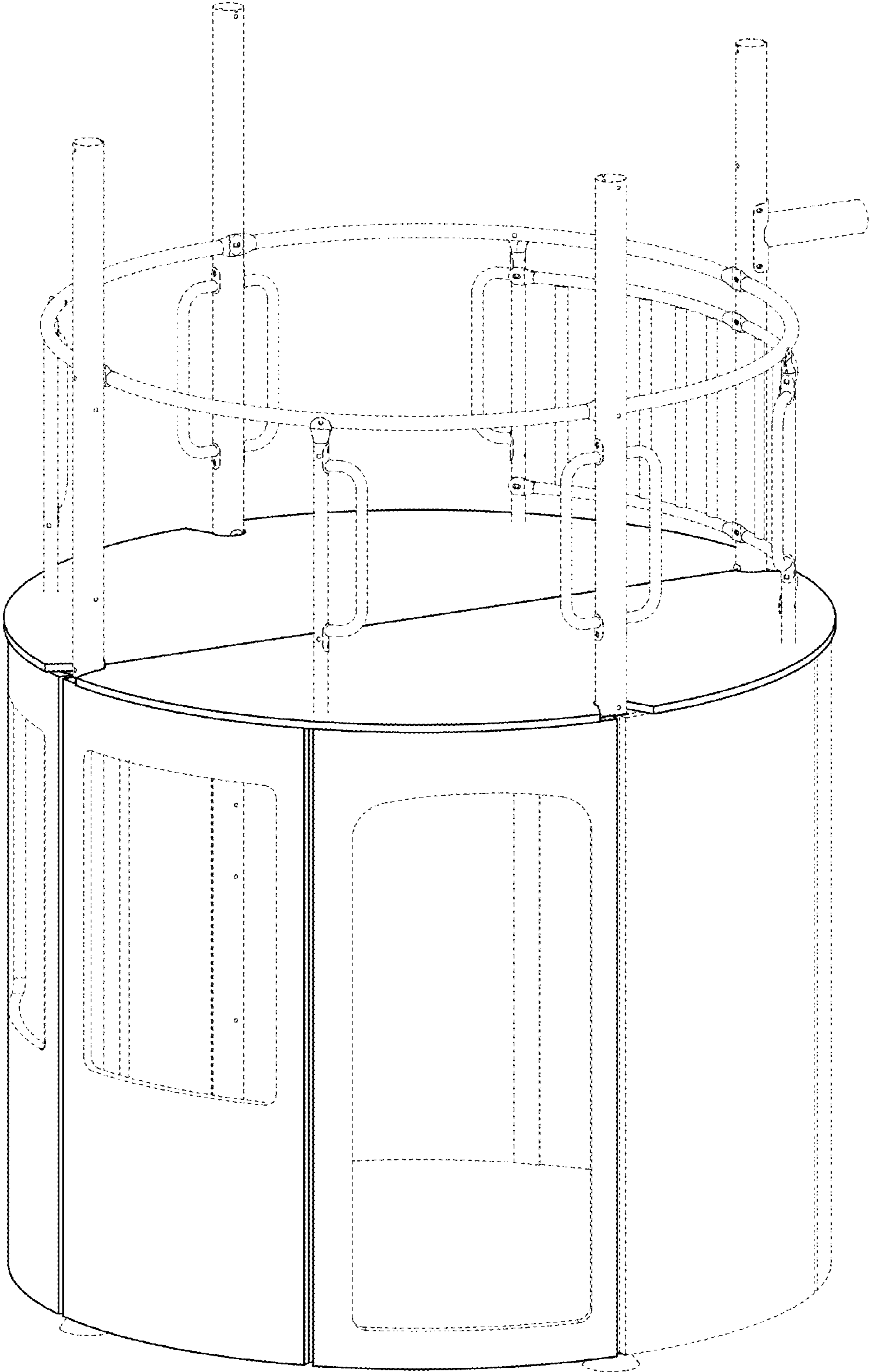


FIG. 8

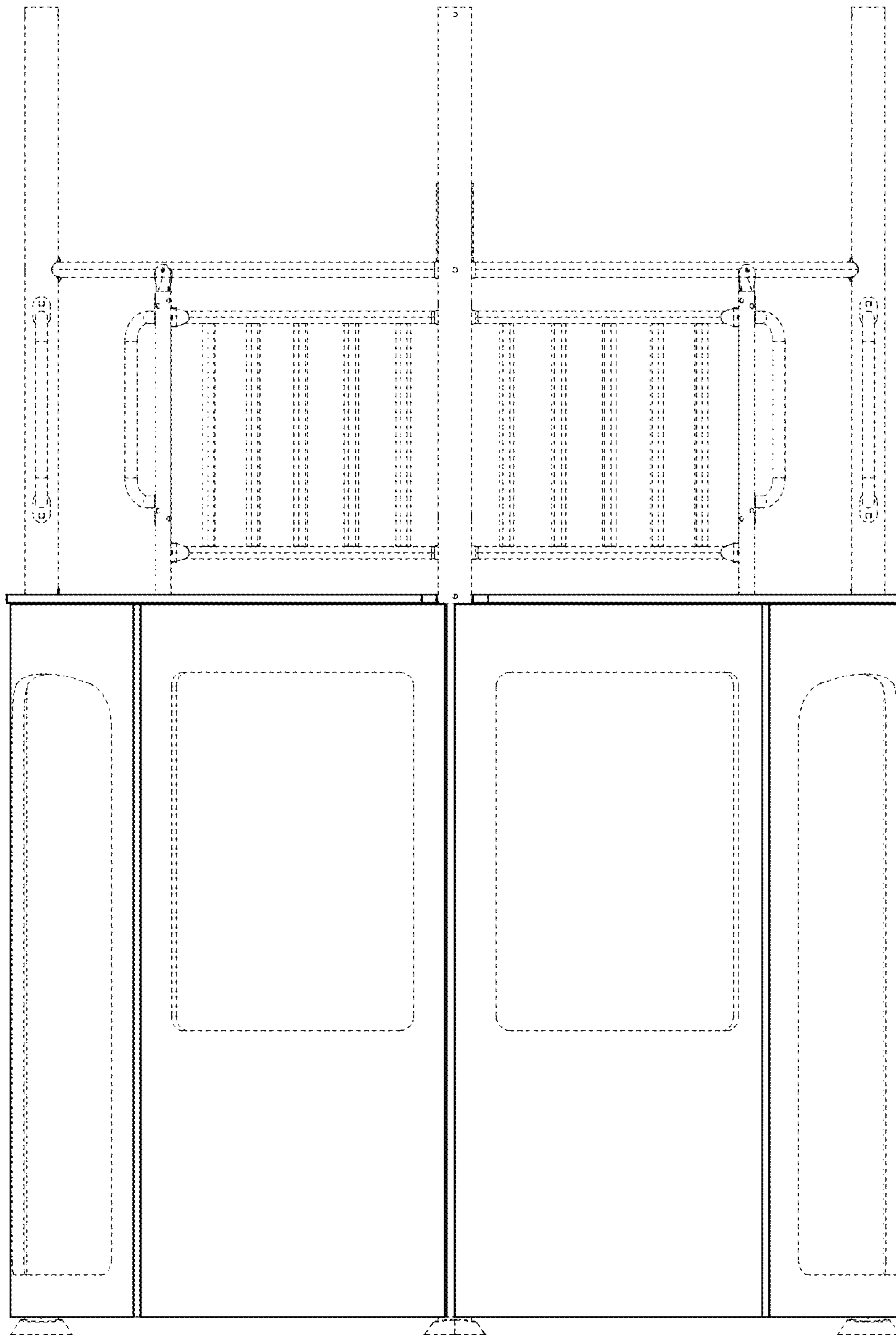


FIG. 9

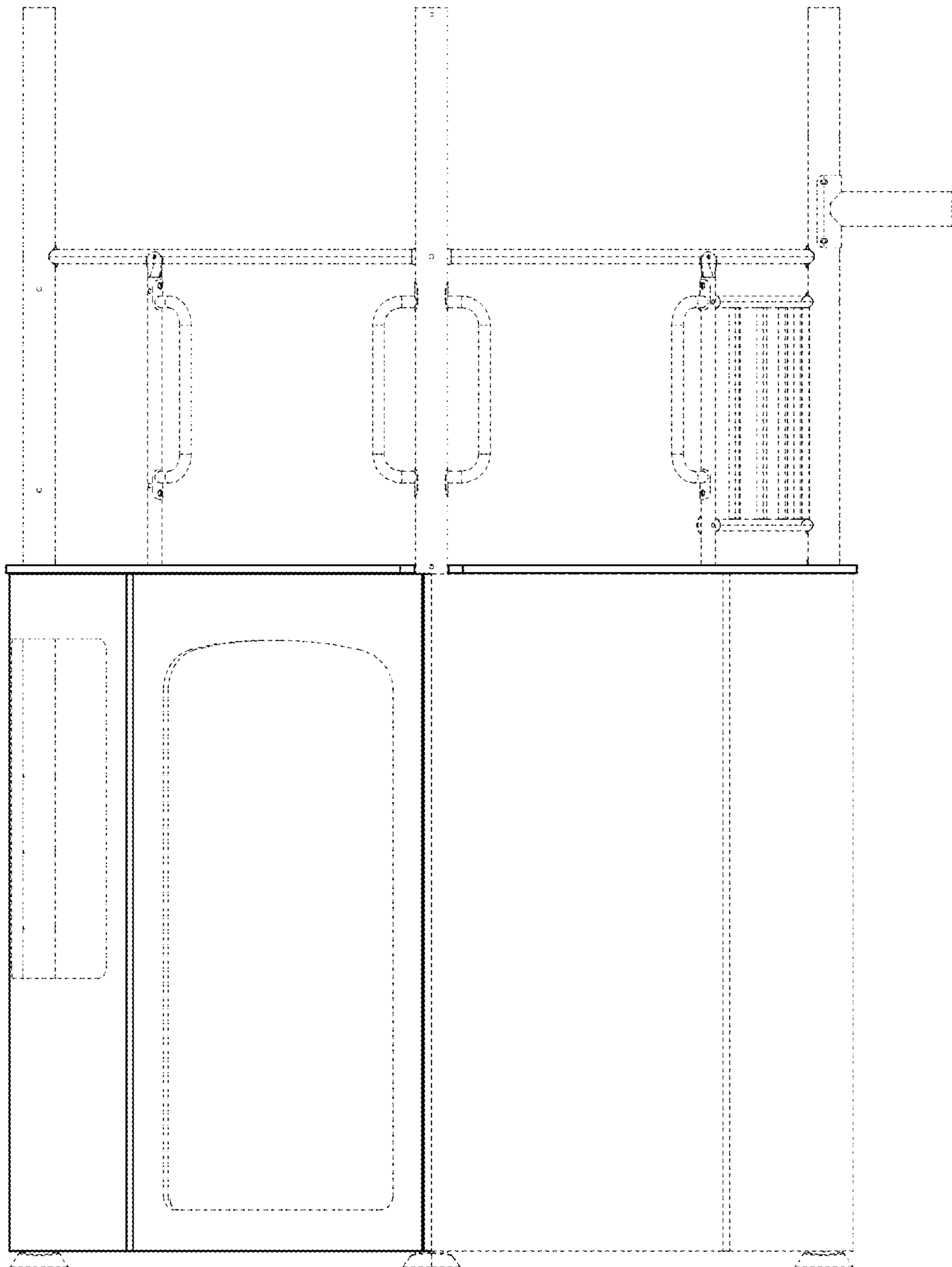


FIG. 10

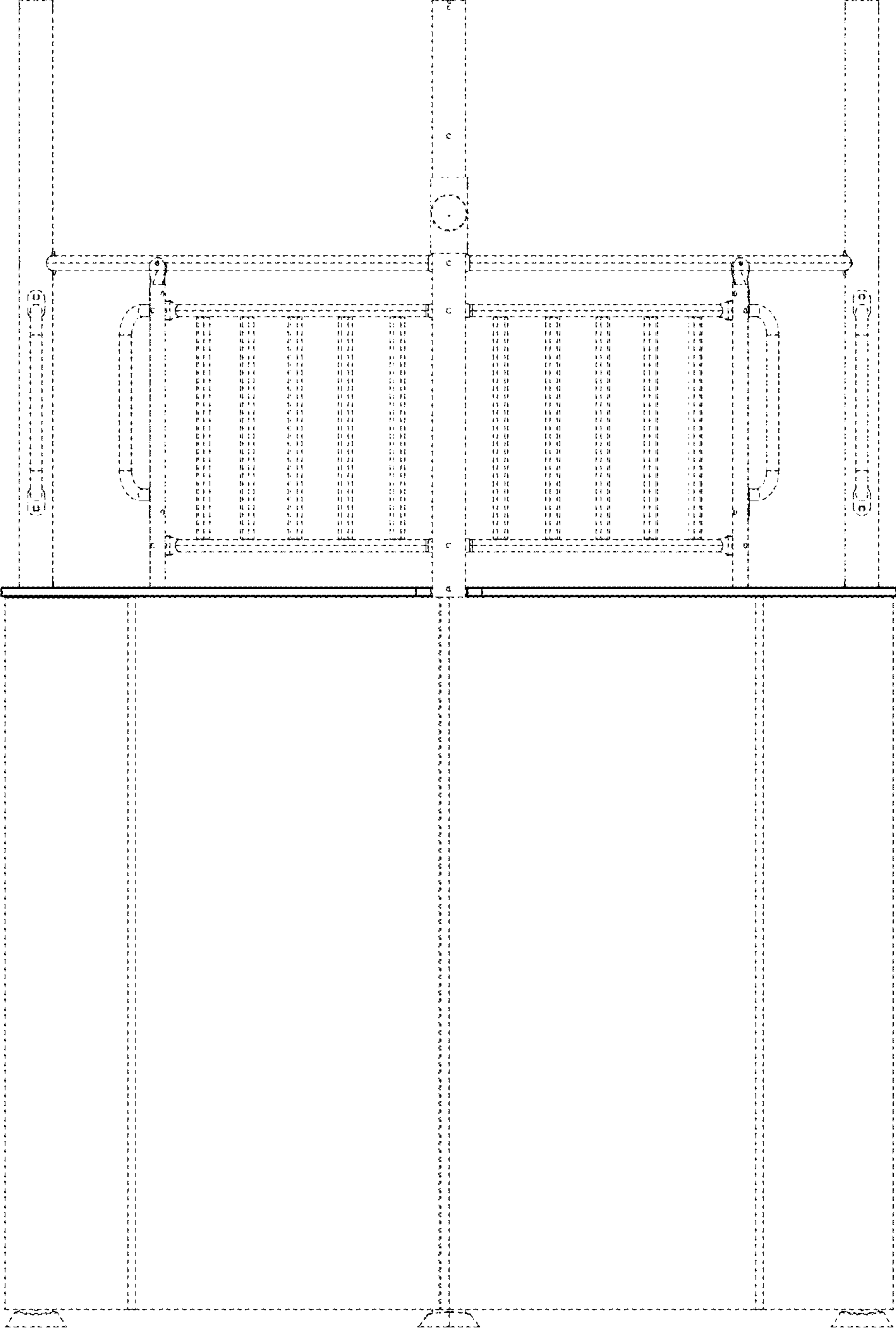


FIG. 11

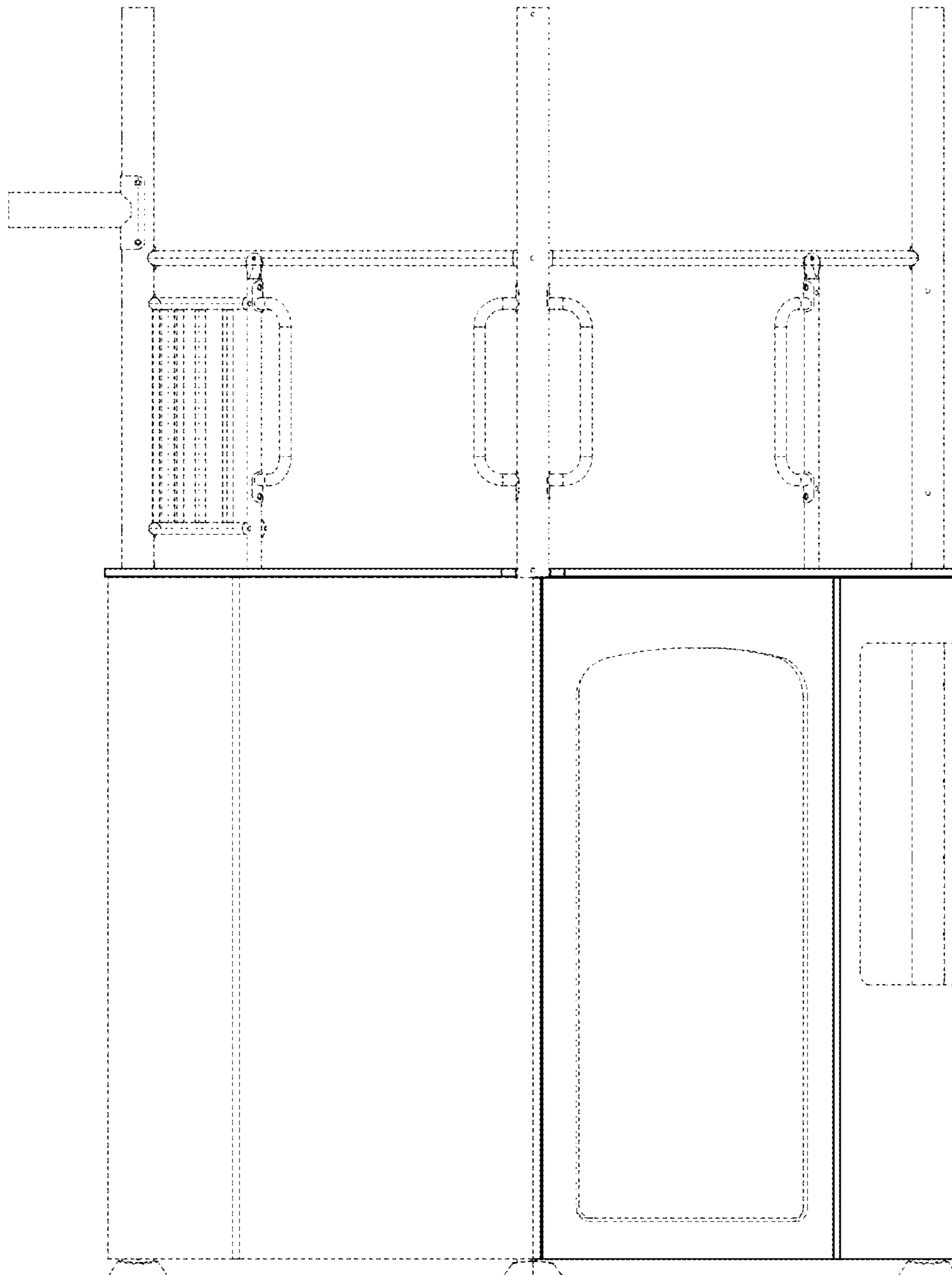


FIG. 12

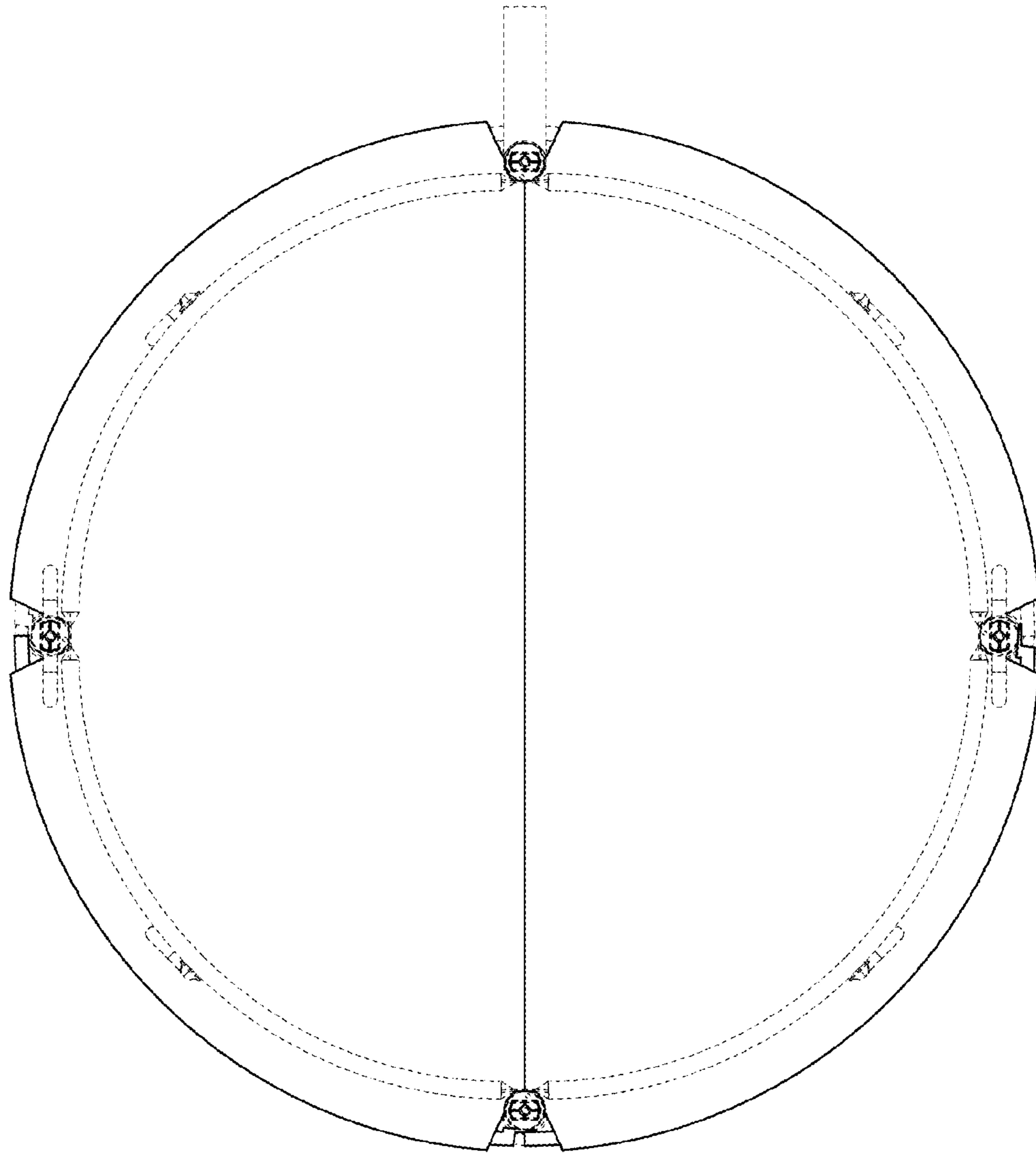


FIG. 13

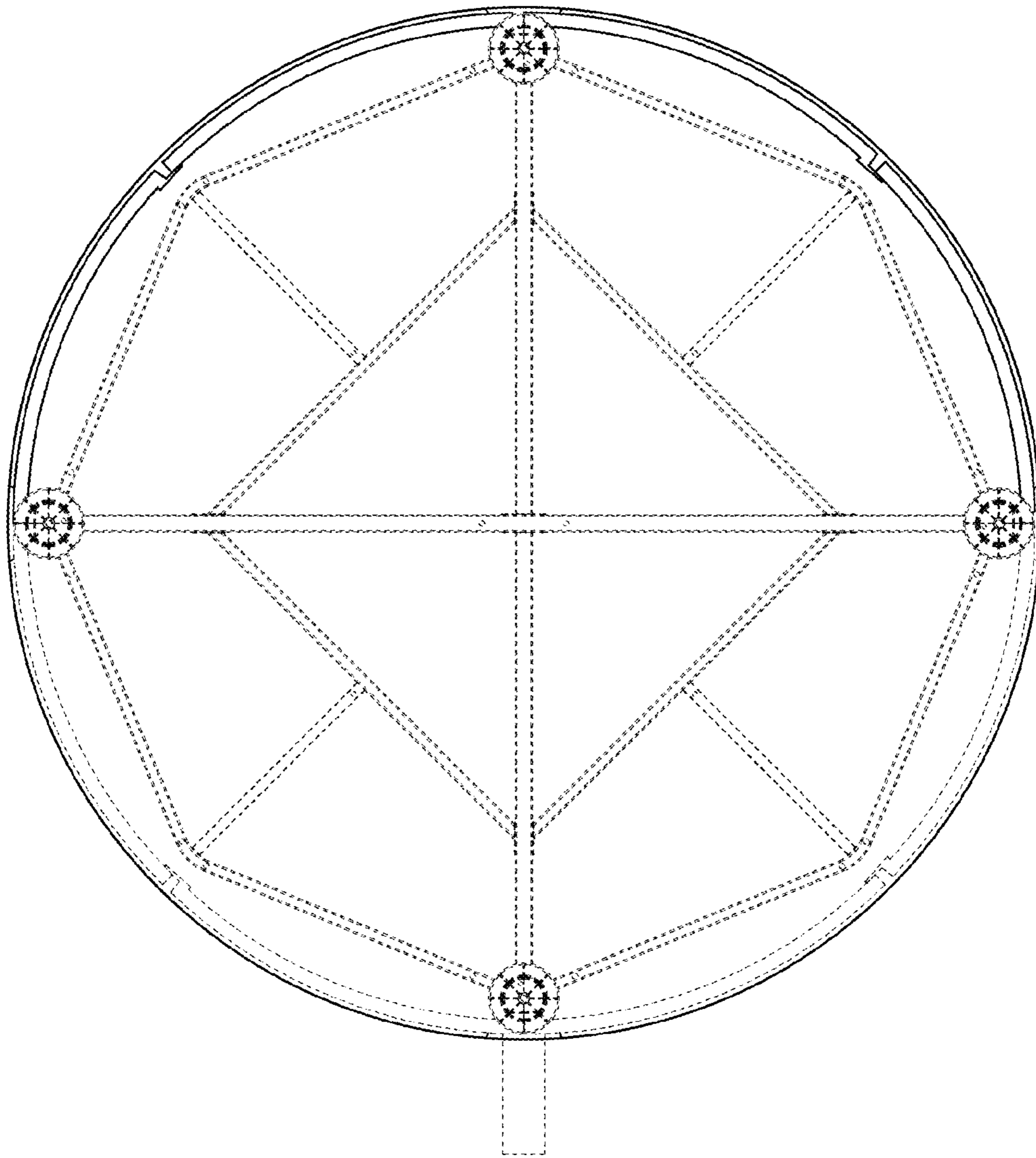


FIG. 14

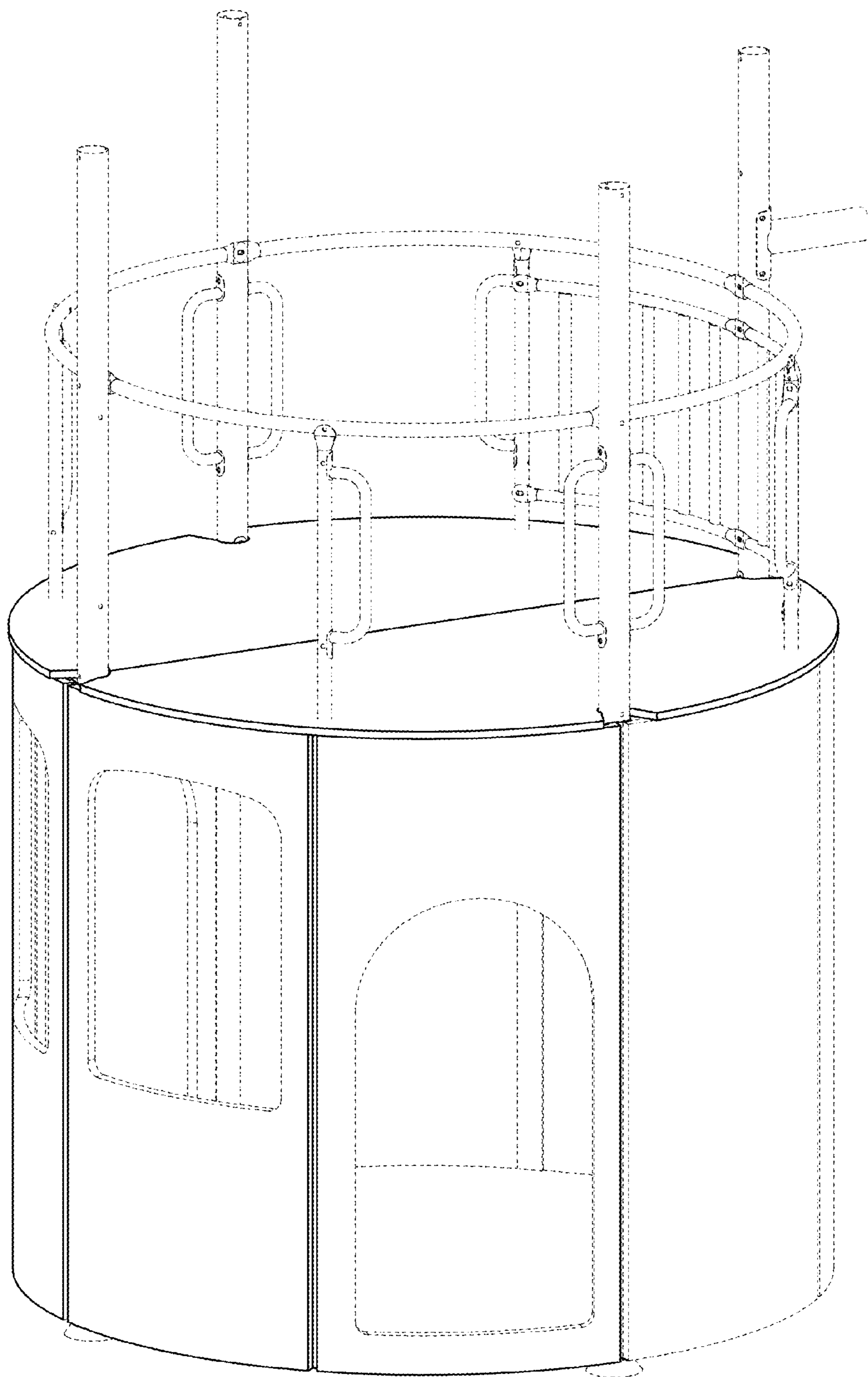


FIG. 15

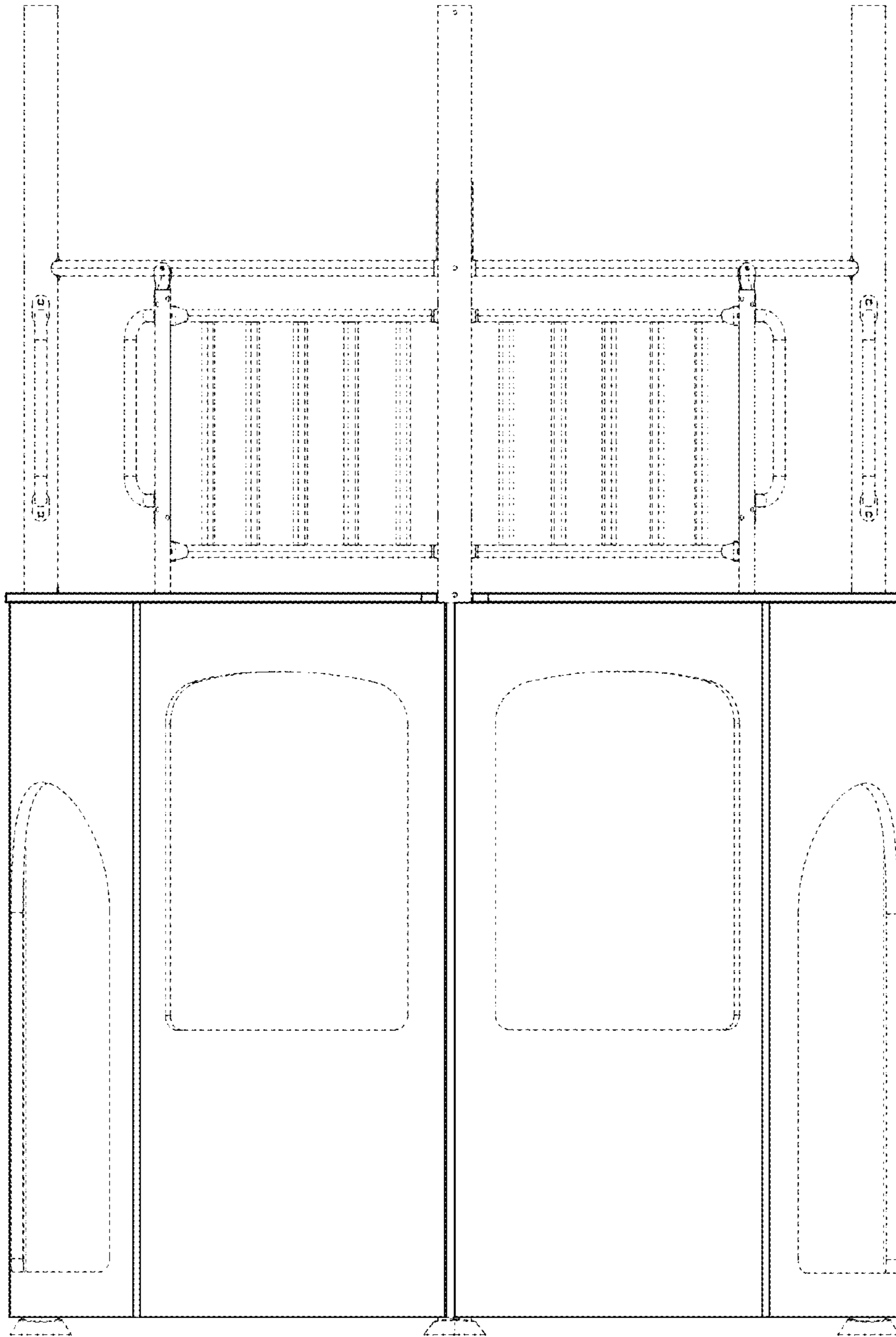


FIG. 16

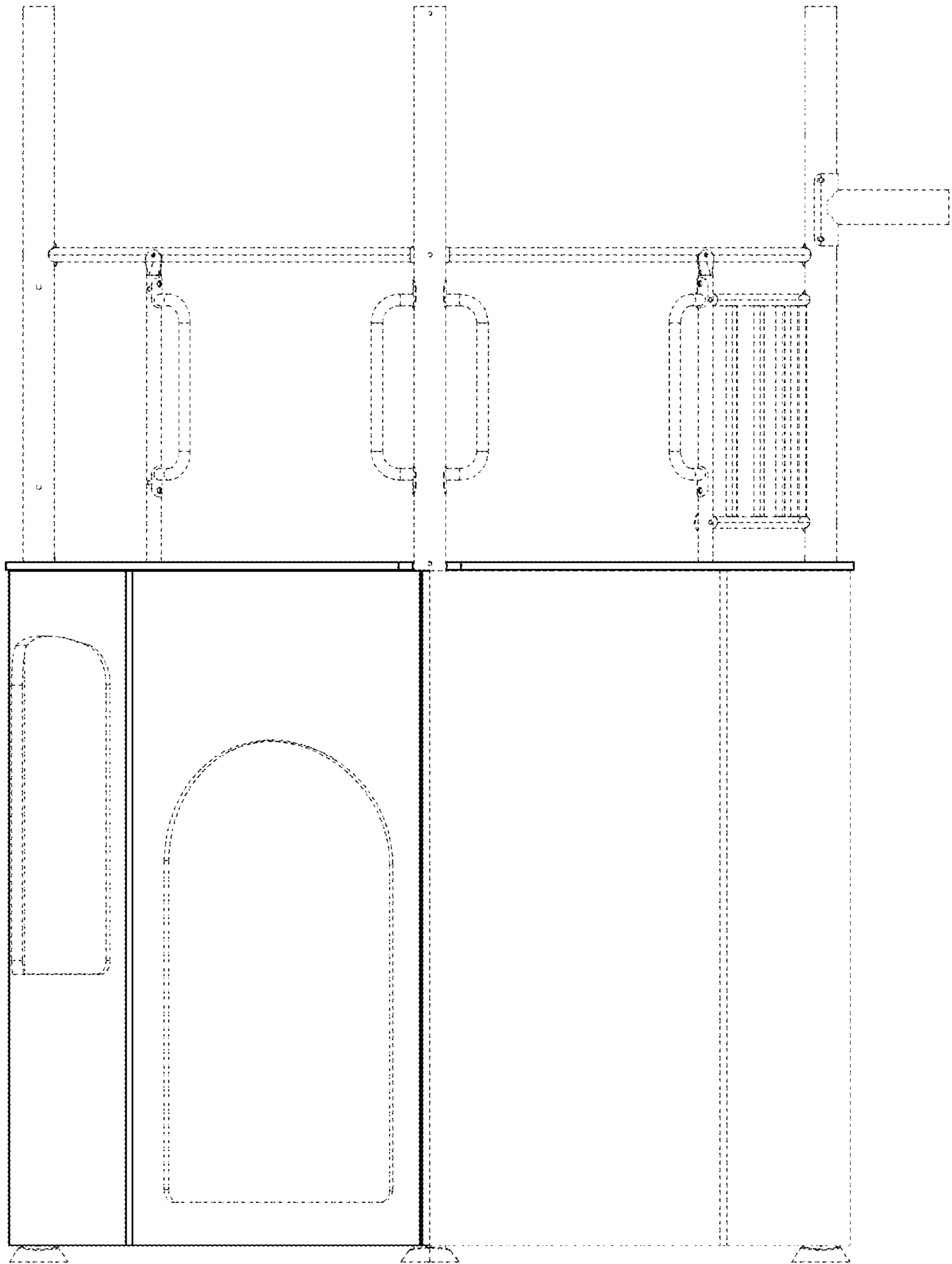


FIG. 17

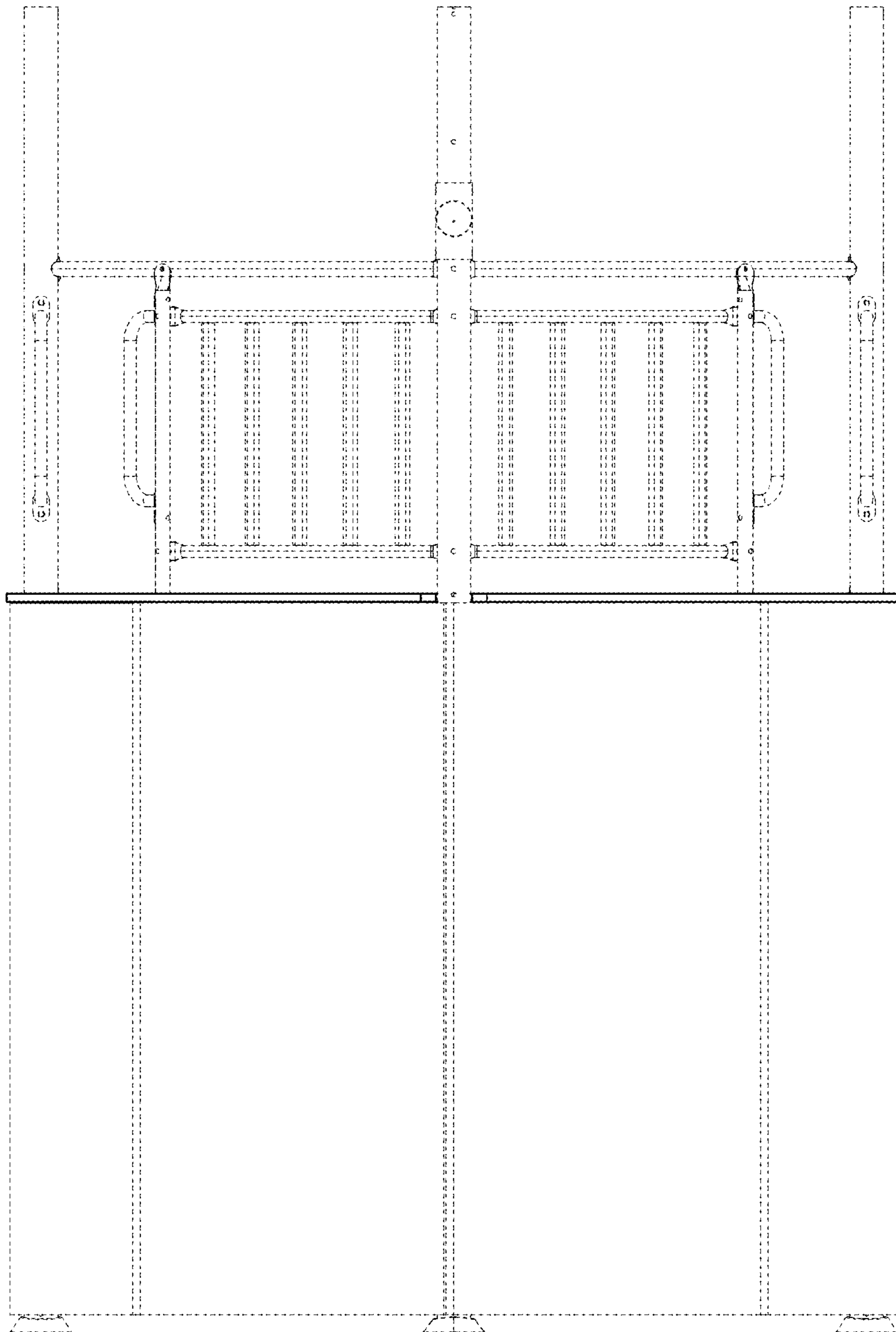


FIG. 18

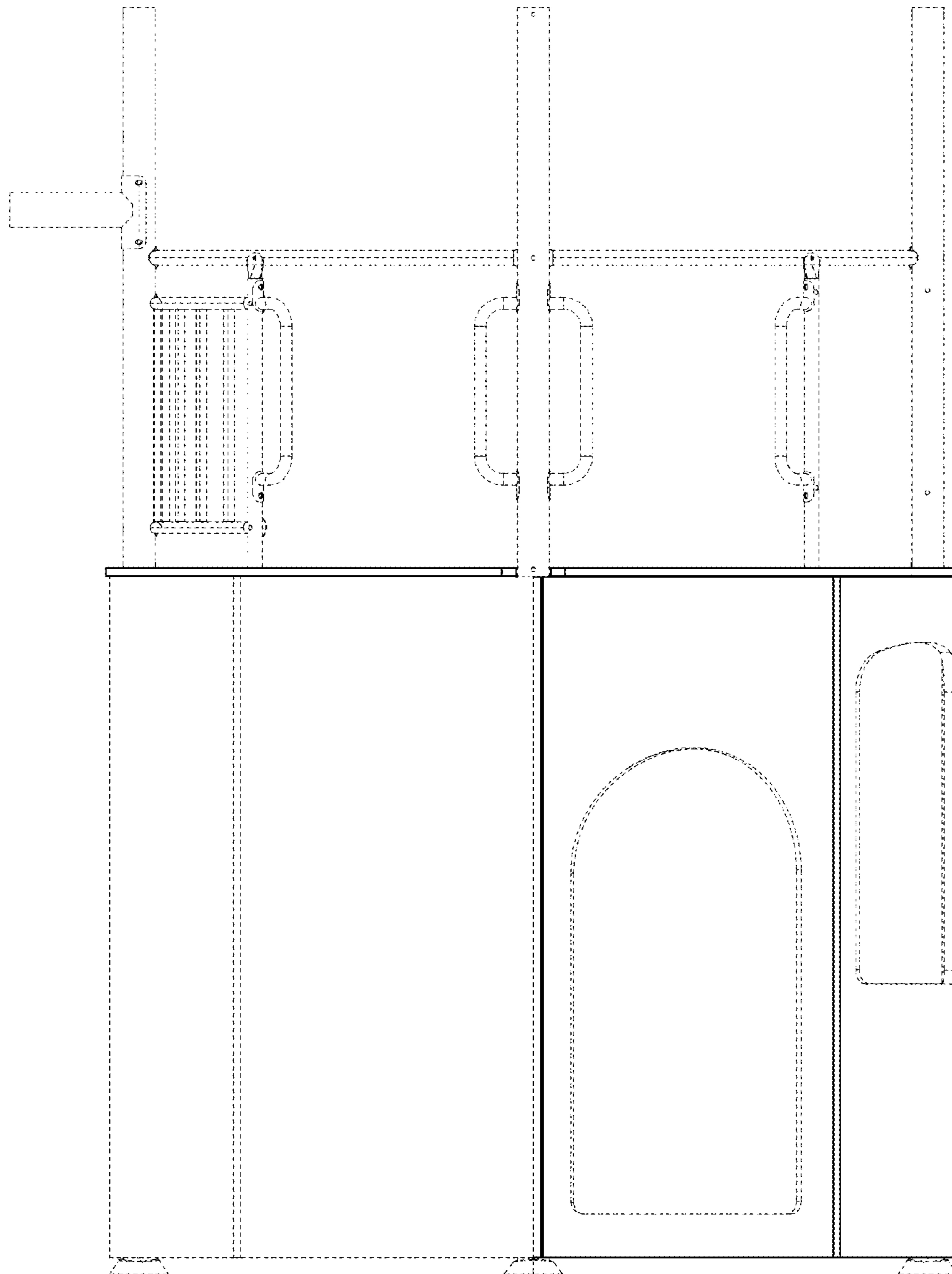


FIG. 19

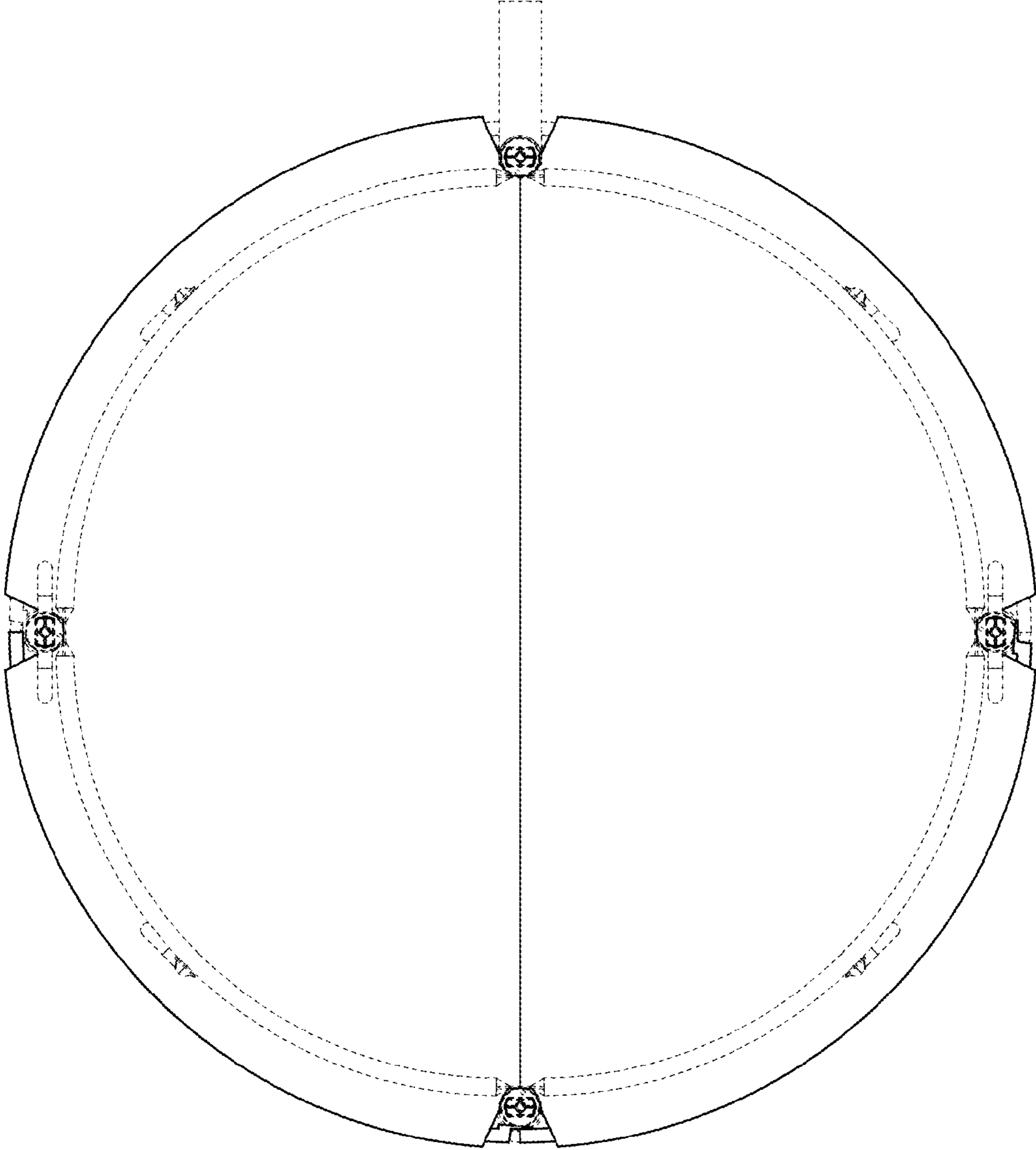


FIG. 20

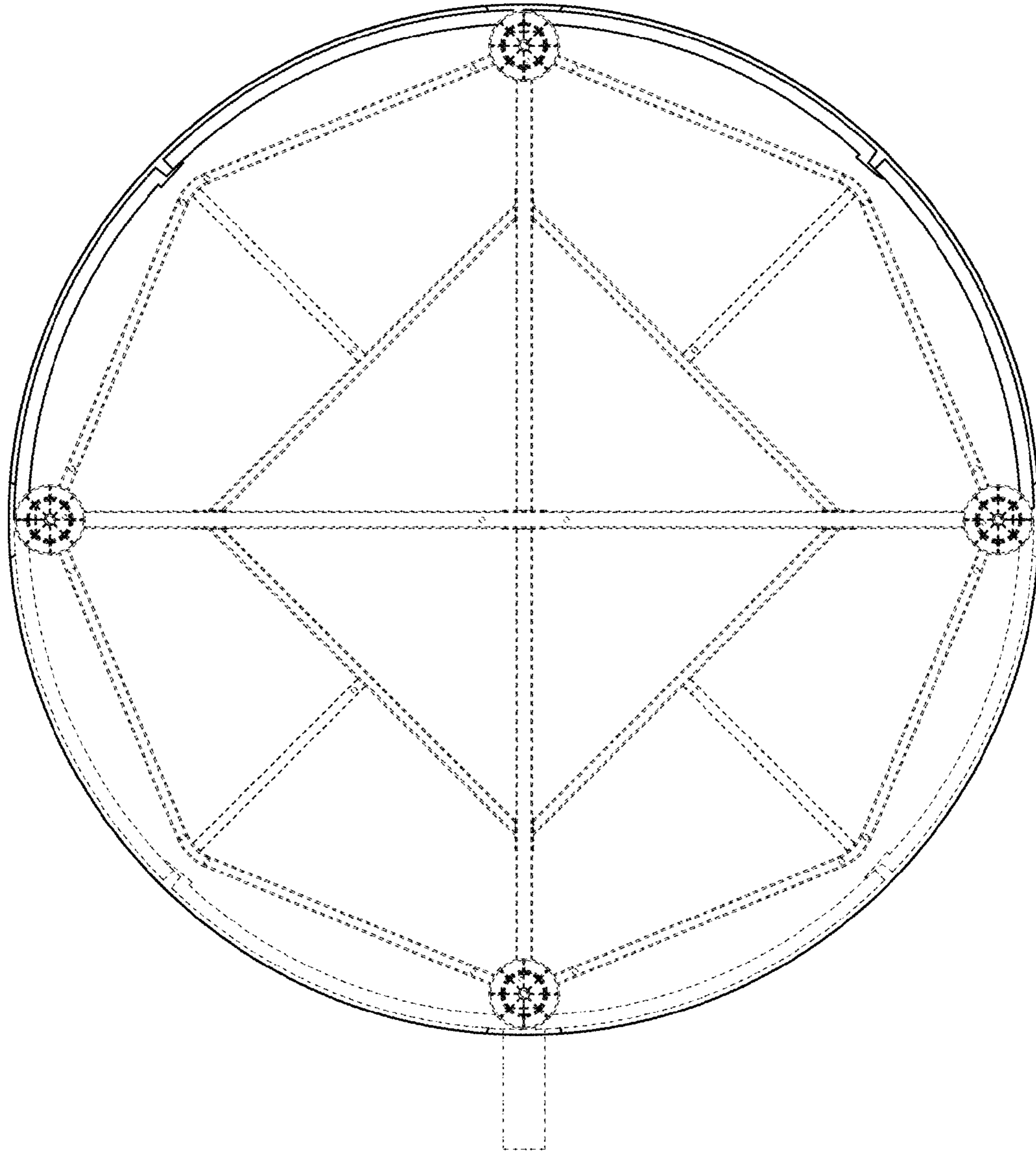


FIG. 21