



US00D723125S

(12) **United States Design Patent**  
**Purdy**

(10) **Patent No.:** **US D723,125 S**

(45) **Date of Patent:** **\*\* Feb. 24, 2015**

(54) **KICKBOARD**

(71) Applicant: **Adolph Kiefer & Associates, LLC**,  
Zion, IL (US)

(72) Inventor: **Mark E. Purdy**, Scottsdale, AZ (US)

(73) Assignee: **Adolph Kiefer & Associates, LLC**,  
Zion, IL (US)

(\*\*) Term: **14 Years**

(21) Appl. No.: **29/492,028**

(22) Filed: **May 28, 2014**

**Related U.S. Application Data**

(62) Division of application No. 29/448,837, filed on Mar. 14, 2013, now Pat. No. Des. 711,486.

(51) **LOC (10) Cl.** ..... **21-02**

(52) **U.S. Cl.**  
USPC ..... **D21/803**

(58) **Field of Classification Search**  
CPC ..... B63B 35/7906  
USPC ..... D21/769-770, 801, 803, 809; 114/253,  
114/345-346; 441/35, 66, 74, 40-42,  
441/129-132; 472/128-129; D12/5, 6, 316  
See application file for complete search history.

(56) **References Cited**

**U.S. PATENT DOCUMENTS**

3,340,554 A \* 9/1967 Allender ..... 441/65  
D397,286 S \* 8/1998 Dreyfus et al. .... D8/358

D603,926 S \* 11/2009 Merker et al. .... D21/803  
D668,308 S \* 10/2012 Gilmore et al. .... D21/803  
D711,486 S \* 8/2014 Purdy ..... D21/769

\* cited by examiner

*Primary Examiner* — Zenia Bennett

(74) *Attorney, Agent, or Firm* — Schiff Hardin LLP

(57) **CLAIM**

The ornamental design for a kickboard, as shown and described.

**DESCRIPTION**

FIG. 1 is a perspective view from the top, front, left side of a kickboard showing an exemplary embodiment of my new design;

FIG. 2 is a front elevational view of the kickboard shown in FIG. 1;

FIG. 3 is a left side elevational view of the kickboard shown in FIG. 1, shown positioned on edge, the right side elevational view being a mirror image of the left side elevational view and not being shown;

FIG. 4 is a top plan view of the kickboard shown in FIG. 1, the bottom plan view being a mirror image of the top plan view and not being shown; and,

FIG. 5 is a rear elevational view of the kickboard shown in FIG. 1.

The broken lines in FIGS. 1 and 5 showing handles and a center aperture of the kickboard are for environmental purposes only and form no part of the claimed design for this embodiment.

**1 Claim, 1 Drawing Sheet**

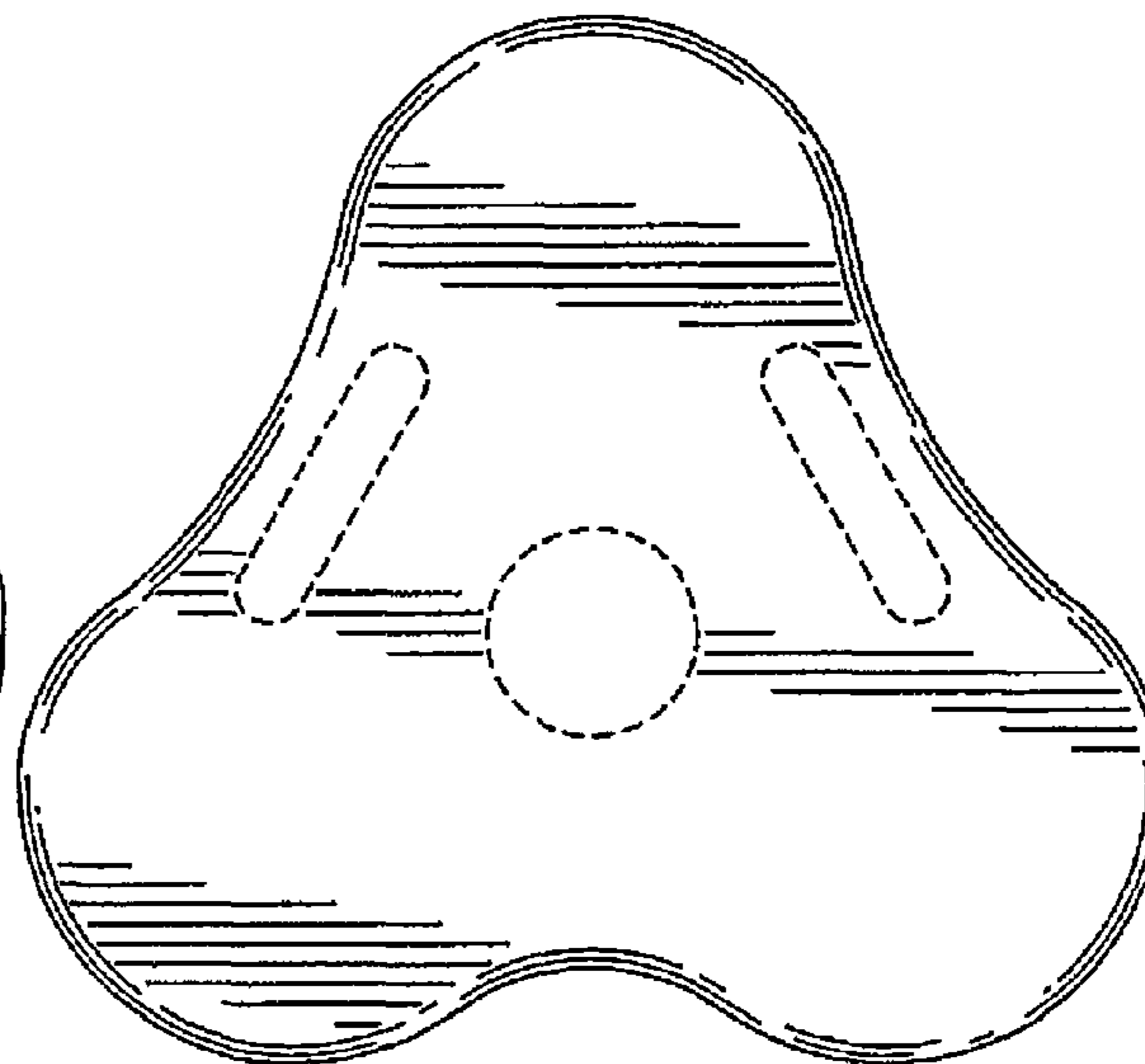
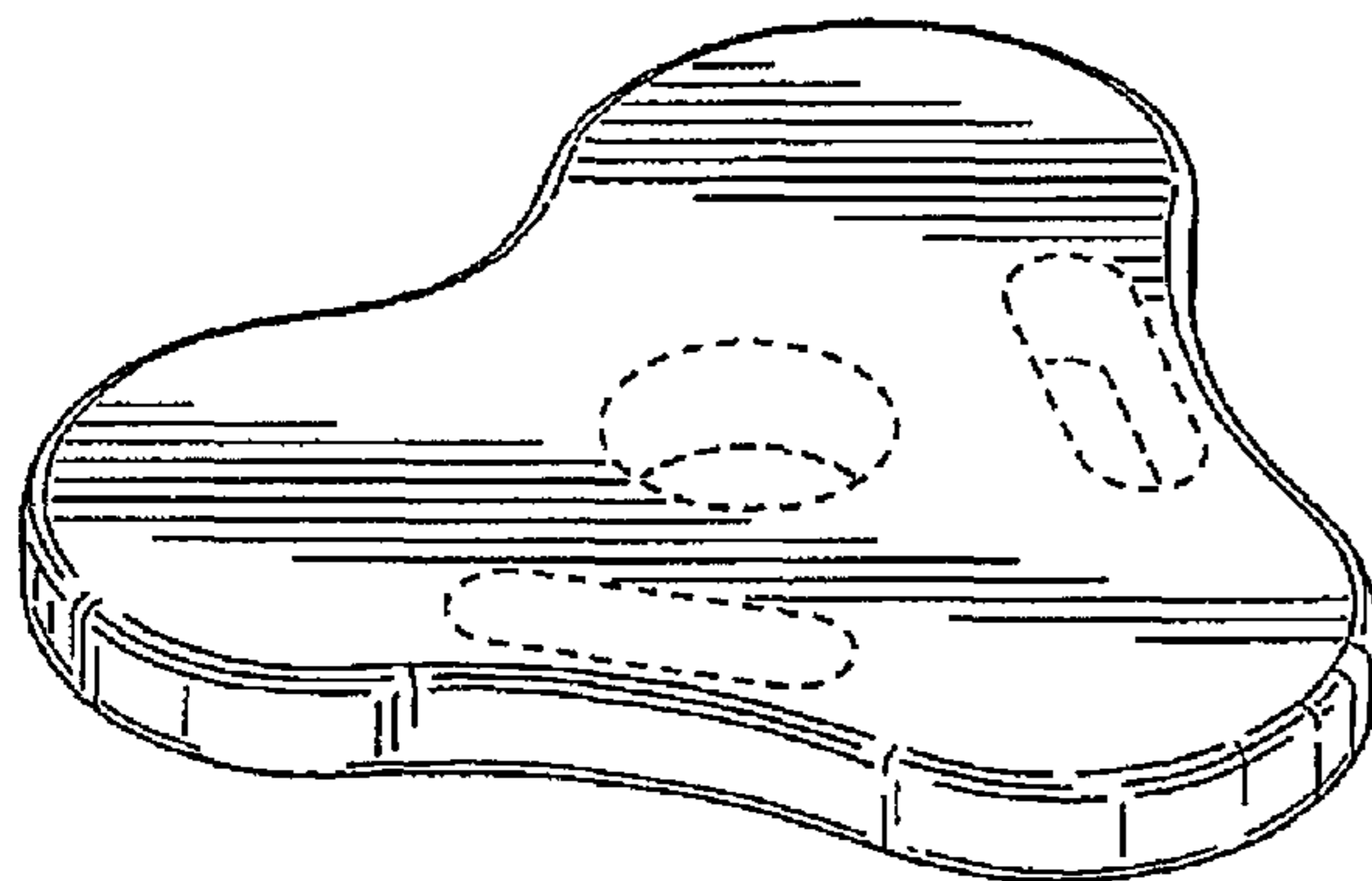


FIG. 1

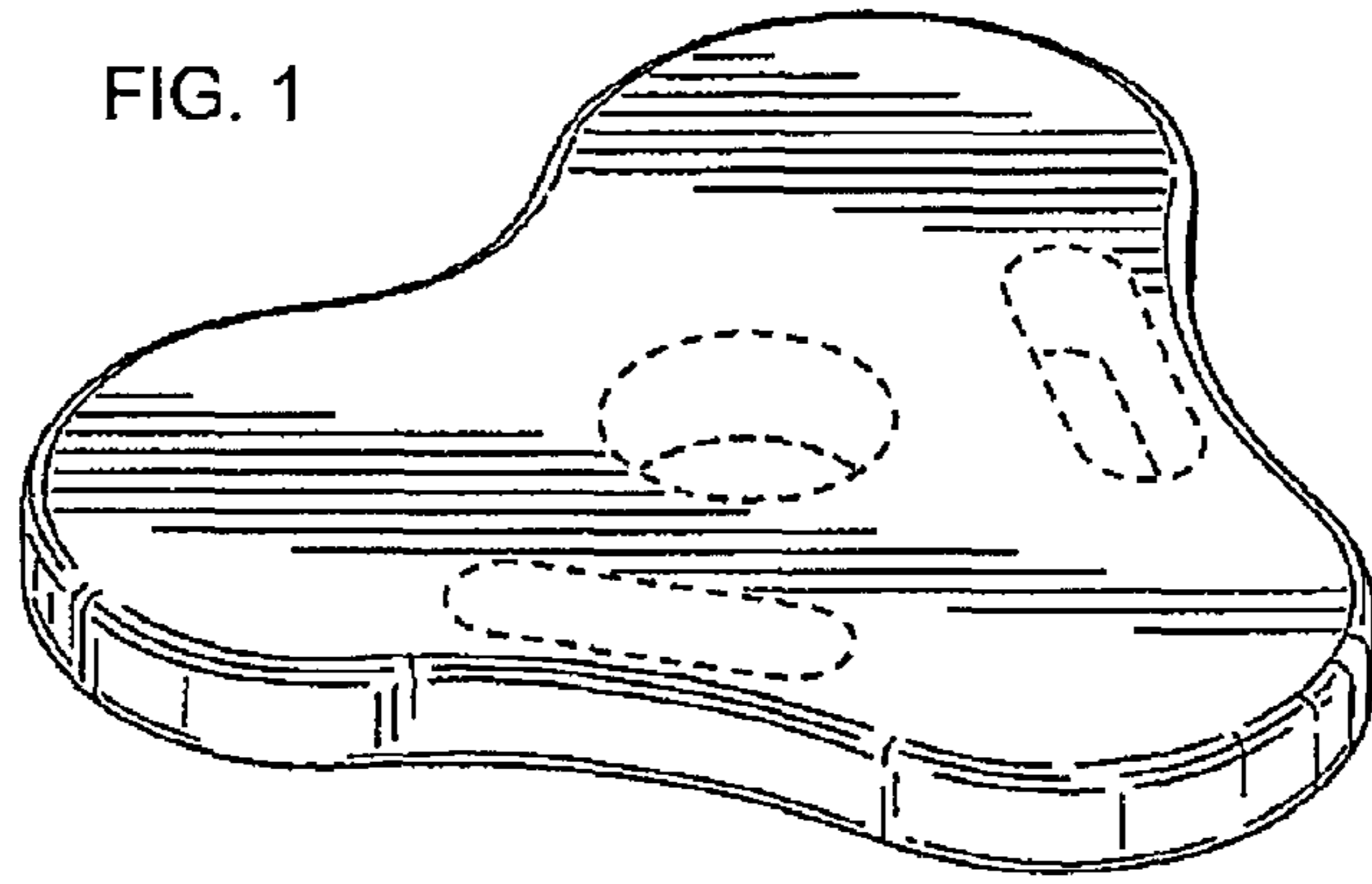


FIG. 2

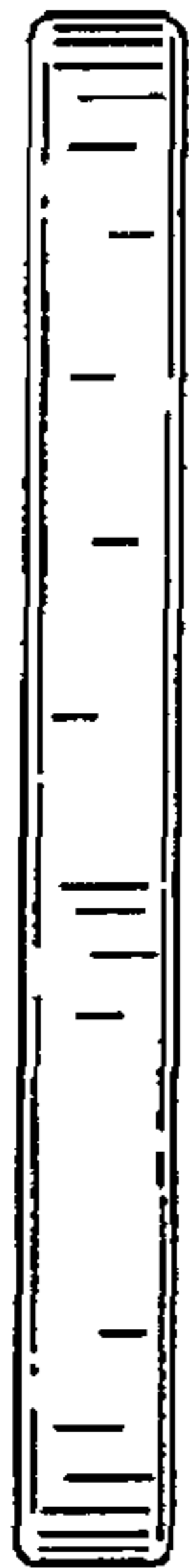


FIG. 3

FIG. 4

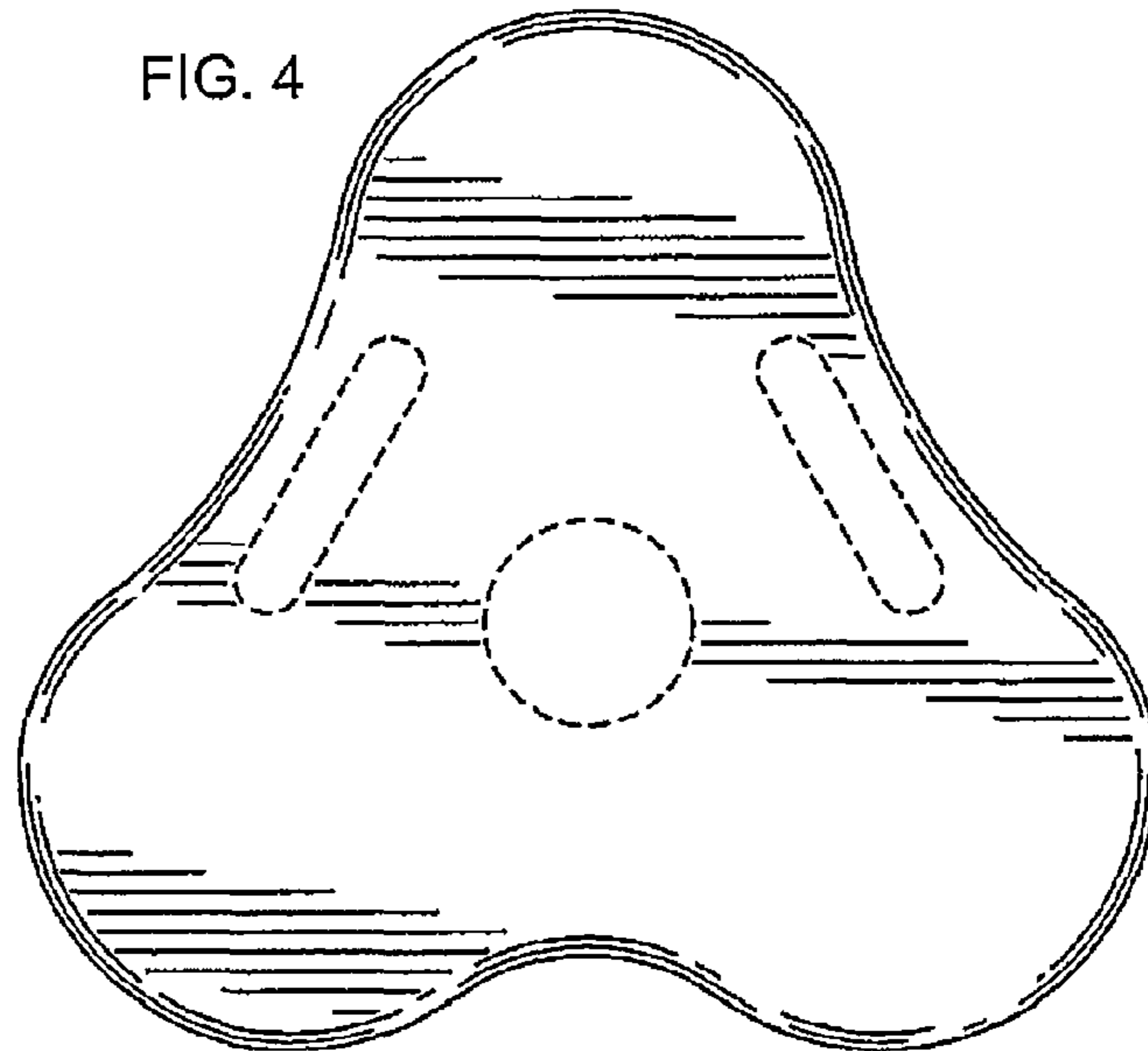


FIG. 5

