



US00D723121S

(12) **United States Design Patent**
Stokke et al.

(10) **Patent No.:** **US D723,121 S**
(45) **Date of Patent:** **** Feb. 24, 2015**

(54) **GOLF CLUB HOSEL INSERT**
(71) Applicant: **Karsten Manufacturing Corporation**,
Phoenix, AZ (US)
(72) Inventors: **Ryan M. Stokke**, Phoenix, AZ (US);
Martin R. Jertson, Phoenix, AZ (US)
(73) Assignee: **Karsten Manufacturing Corporation**,
Phoenix, AZ (US)

3,601,399 A 8/1971 Agens et al.
3,625,513 A 12/1971 Ballmer
3,685,135 A 8/1972 Letters
3,840,231 A 10/1974 Moore
3,907,446 A 9/1975 Leslie
3,941,390 A 3/1976 Hussey
3,984,103 A 10/1976 Nix
D267,965 S * 2/1983 Kobayashi D21/748
D276,836 S 12/1984 Cook
4,664,382 A 5/1987 Palmer et al.
D298,447 S 11/1988 Cook

(Continued)

(**) Term: **14 Years**

Primary Examiner — Mitchell Siegel

(21) Appl. No.: **29/469,758**

(22) Filed: **Oct. 14, 2013**

(51) **LOC (10) Cl.** **21-02**

(52) **U.S. Cl.**
USPC **D21/759**

(58) **Field of Classification Search**
USPC D21/733, 747–752, 759; 473/324–331,
473/343–346, 350, 305–315
See application file for complete search history.

(56) **References Cited**

U.S. PATENT DOCUMENTS

1,540,559 A	6/1925	Murphy
1,610,802 A	12/1926	McNair
1,623,523 A	4/1927	Bourke
1,665,811 A	4/1928	Hadden
1,918,583 A	7/1933	Bear
2,027,452 A	1/1936	Rusing
2,051,961 A	8/1936	Mears
2,067,556 A	1/1937	Wettlaufer
2,175,598 A	10/1939	Fedak
2,219,670 A	10/1940	Wettlaauer
2,425,808 A	8/1947	Jakosky
2,644,689 A	7/1953	Putnam
2,962,286 A	11/1960	Brouwer
3,170,691 A	2/1965	Pritchard
3,176,987 A	4/1965	Johnston
3,206,206 A	9/1965	Santosuosso
3,330,601 A	7/1967	Proctor
3,524,646 A	8/1970	Wheeler

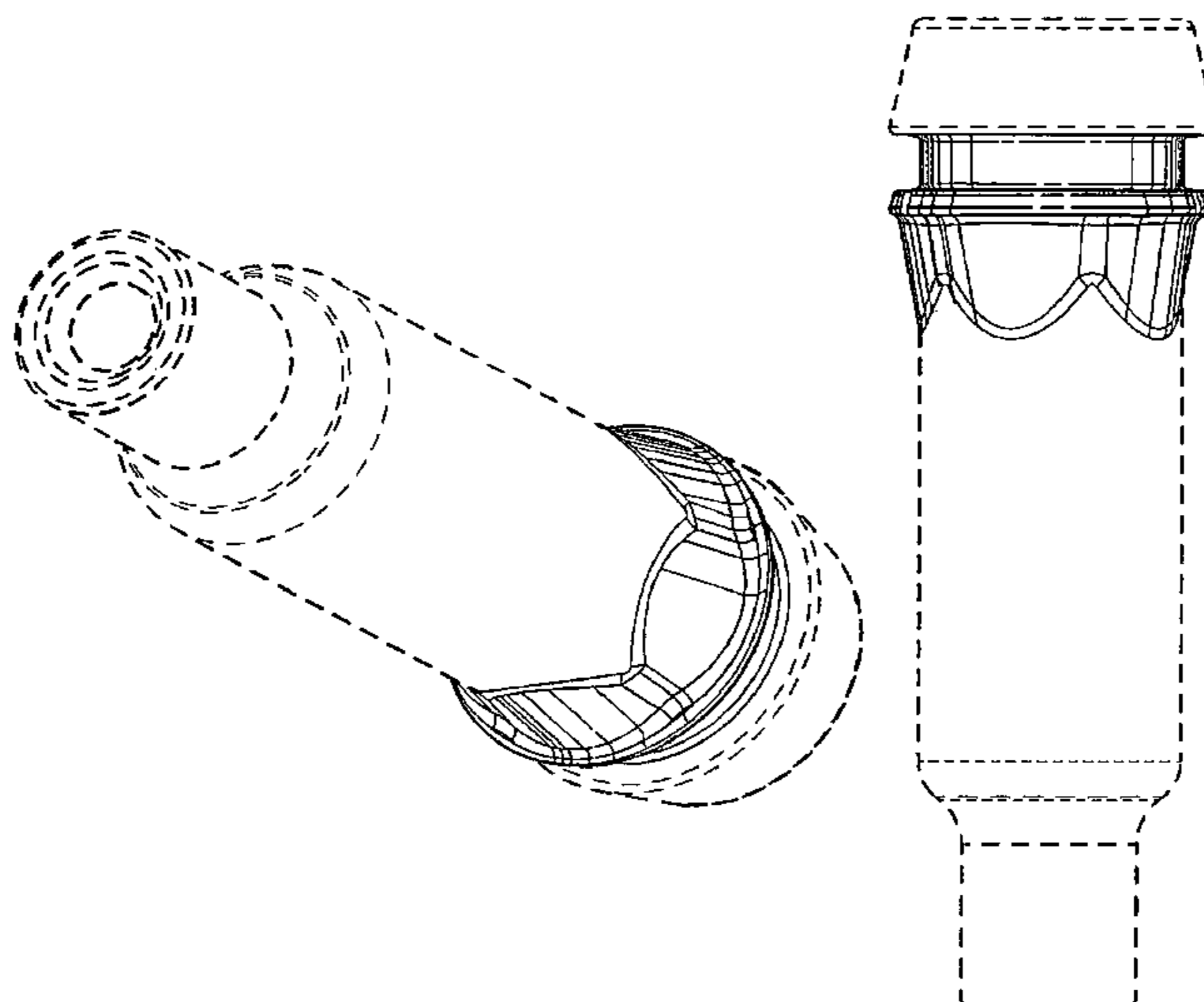
(57) **CLAIM**

The ornamental design for a golf club hosel insert, as shown and described.

DESCRIPTION

FIG. 1 is a top perspective view of the golf club hosel insert; FIG. 2 is a bottom perspective view thereof; FIG. 3 is a front view thereof; FIG. 4 is a rear view thereof; FIG. 5 is a top view thereof; FIG. 6 is a bottom view thereof; FIG. 7 is a right view thereof; FIG. 8 is a left view thereof; FIG. 9 is a top perspective view of a second embodiment of the golf club hosel insert; FIG. 10 is a bottom perspective view FIG. 9; FIG. 11 is a front view FIG. 9; FIG. 12 is a rear view FIG. 9; FIG. 13 is a top view FIG. 9; FIG. 14 is a bottom view FIG. 9; FIG. 15 is a right view FIG. 9; and, FIG. 16 is a left view of FIG. 9. The broken lines connecting the solid contour lines represent the bounds of the claim. The remaining broken lines illustrate the environment. None of the broken lines forms part of the claimed design.

1 Claim, 6 Drawing Sheets



(56)

References Cited

U.S. PATENT DOCUMENTS

4,815,740	A	3/1989	Williams et al.	7,909,706	B2	3/2011	Cole
4,852,782	A	8/1989	Wu et al.	7,931,542	B2	4/2011	Kusumoto
4,854,582	A	8/1989	Yamada	7,955,182	B2	6/2011	Thomas et al.
4,884,808	A	12/1989	Retzer	7,963,855	B2	6/2011	Sander et al.
4,892,316	A	1/1990	Langert et al.	7,980,959	B2	7/2011	Morris et al.
D309,488	S	7/1990	Langert	7,997,997	B2	8/2011	Bennett et al.
4,943,059	A	7/1990	Morrell	8,057,320	B2	11/2011	Bennett et al.
4,948,132	A	8/1990	Wharton	8,079,918	B2	12/2011	Cole
4,995,609	A	2/1991	Parente et al.	8,096,894	B2	1/2012	Sander
5,039,098	A	8/1991	Pelz	1,842,306	A1	3/2012	De La Cruz et al.
5,042,806	A	8/1991	Helmstetter	8,133,131	B1	3/2012	Bennett et al.
5,067,711	A	11/1991	Parente et al.	8,147,351	B2	4/2012	Bennett et al.
5,067,715	A	11/1991	Schmidt et al.	8,207,507	B2	6/2012	Zaitseva et al.
5,149,091	A	9/1992	Okumoto et al.	8,216,084	B2	7/2012	Bennett et al.
5,163,682	A	11/1992	Schmidt et al.	8,419,567	B2	4/2013	Jertson
5,165,688	A	11/1992	Schmidt et al.	D682,378	S *	5/2013	Holt et al. D21/759
5,180,166	A	1/1993	Schmidt et al.	D687,504	S *	8/2013	Stokke et al. D21/759
5,183,264	A	2/1993	Lanctot	2001/0007835	A1	7/2001	Baron
5,204,046	A	4/1993	Schmidt	2005/0101402	A1	5/2005	Kawakami
5,222,734	A	6/1993	Parente et al.	2006/0281575	A1	12/2006	Hocknell et al.
5,240,252	A	8/1993	Schmidt et al.	2006/0287125	A1	12/2006	Hocknell et al.
5,273,280	A	12/1993	Lo	2006/0293115	A1	12/2006	Hocknell et al.
5,275,399	A	1/1994	Schmidt et al.	2006/0293116	A1	12/2006	Hocknell et al.
5,282,625	A	2/1994	Schmidt et al.	2007/0117645	A1	5/2007	Nakashima
D345,775	S	4/1994	Poincenot et al.	2008/0254909	A1	10/2008	Callinan et al.
5,301,946	A	4/1994	Schmidt et al.	2008/0261716	A1	10/2008	Sugimoto
5,308,062	A	5/1994	Hogan	2008/0293510	A1	11/2008	Yamamoto
5,314,184	A	5/1994	Schmidt et al.	2009/0062029	A1	3/2009	Stites et al.
5,318,300	A	6/1994	Schmidt et al.	2009/0075749	A1	3/2009	Cruz et al.
5,320,347	A	6/1994	Parente et al.	2009/0124407	A1	5/2009	Hocknell et al.
5,330,187	A	7/1994	Schmidt et al.	2009/0233728	A1	9/2009	Liou
5,335,914	A	8/1994	Long	2009/0247316	A1	10/2009	De La Cruz et al.
5,344,150	A	9/1994	Schmidt et al.	2009/0264214	A1	10/2009	De La Cruz et al.
5,351,958	A	10/1994	Helmstetter	2009/0275423	A1	11/2009	Yamamoto
5,395,109	A	3/1995	Fenton, Jr.	2009/0286611	A1	11/2009	Beach et al.
5,409,229	A	4/1995	Schmidt et al.	2009/0286618	A1	11/2009	Beach et al.
RE34,925	E	5/1995	McKeighen	2009/0286619	A1	11/2009	Beach et al.
5,411,263	A	5/1995	Schmidt et al.	2010/0016094	A1	1/2010	Hocknell et al.
5,417,559	A	5/1995	Schmidt	2010/0035700	A1	2/2010	Yu et al.
5,429,355	A	7/1995	Schmidt et al.	2010/0035701	A1	2/2010	Kusmoto
5,429,365	A	7/1995	McKeighen	2010/0041491	A1	2/2010	Thomas et al.
5,433,442	A	7/1995	Walker	2010/0120550	A1	5/2010	Galloway
5,441,274	A	8/1995	Clay	2010/0120552	A1	5/2010	Sander et al.
5,507,985	A	4/1996	Cadorniga	2010/0144459	A1	6/2010	Sato et al.
5,538,245	A	7/1996	Moore	2010/0197423	A1	8/2010	Thomas et al.
D375,130	S	10/1996	Hlinka et al.	2010/0197424	A1	8/2010	Beach et al.
D378,770	S	4/1997	Hlinka et al.	2010/0203981	A1	8/2010	Morris et al.
5,632,695	A	5/1997	Hlinka et al.	2010/0261543	A1	10/2010	Breier et al.
5,722,901	A	3/1998	Barron et al.	2010/0323808	A1	12/2010	Sato et al.
D393,678	S *	4/1998	Jones et al. D21/759	2010/0323809	A1	12/2010	Murphy
5,839,973	A	11/1998	Jackson	2010/0331121	A1	12/2010	Morris et al.
5,863,260	A	1/1999	Butler, Jr. et al.	2011/0009206	A1	1/2011	Soracco
5,924,938	A	7/1999	Hines	2011/0021282	A1	1/2011	Sander
5,951,411	A	9/1999	Wood et al.	2011/0105242	A1	5/2011	Beach et al.
6,050,903	A	4/2000	Lake	2011/0118044	A1	5/2011	Sato et al.
6,547,673	B2	4/2003	Roark	2011/0118045	A1	5/2011	Sato et al.
6,857,969	B2	2/2005	Rice	2011/0118048	A1	5/2011	Soracco
6,863,622	B1	3/2005	Hsu	2011/0143854	A1	6/2011	Bennett et al.
7,083,529	B2	8/2006	Cackett et al.	2011/0159983	A1	6/2011	Burnett et al.
7,117,923	B2	10/2006	Schweigert et al.	2011/0177876	A1	7/2011	Bennett et al.
7,300,359	B2	11/2007	Hocknell et al.	2011/0190072	A1	8/2011	Beach et al.
7,344,449	B2	3/2008	Hocknell et al.	2011/0201447	A1	8/2011	Thomas et al.
7,351,159	B2	4/2008	Lai	2011/0207547	A1	8/2011	Sander et al.
7,438,645	B2	10/2008	Hsu	2011/0275448	A1	11/2011	Morris et al.
7,465,239	B2	12/2008	Hocknell et al.	2011/0287853	A1	11/2011	Sato
7,530,900	B2	5/2009	Holt et al.	2011/0319185	A1	12/2011	Beach et al.
7,553,240	B2	6/2009	Burnett et al.	2012/0010015	A1	1/2012	Bennett et al.
7,578,749	B2	8/2009	Hocknell et al.	2012/0034994	A1	2/2012	Knutson et al.
7,601,075	B2	10/2009	Cole et al.	2012/0034995	A1	2/2012	Harvell et al.
7,699,717	B2	4/2010	Morris et al.	2012/0034996	A1	2/2012	Murphy et al.
7,722,475	B2	5/2010	Thomas et al.	2012/0071261	A1	3/2012	Yamamoto
7,846,037	B2	12/2010	Burnett et al.	2012/0100926	A1	4/2012	Golden et al.
7,874,934	B2	1/2011	Soracco et al.	2012/0165112	A1	6/2012	Bennett et al.
7,878,921	B2	2/2011	Bennett et al.	2013/0053164	A1	2/2013	Jertson
				2013/0053167	A1	2/2013	Jertson
				2013/0053168	A1	2/2013	Jertson

* cited by examiner

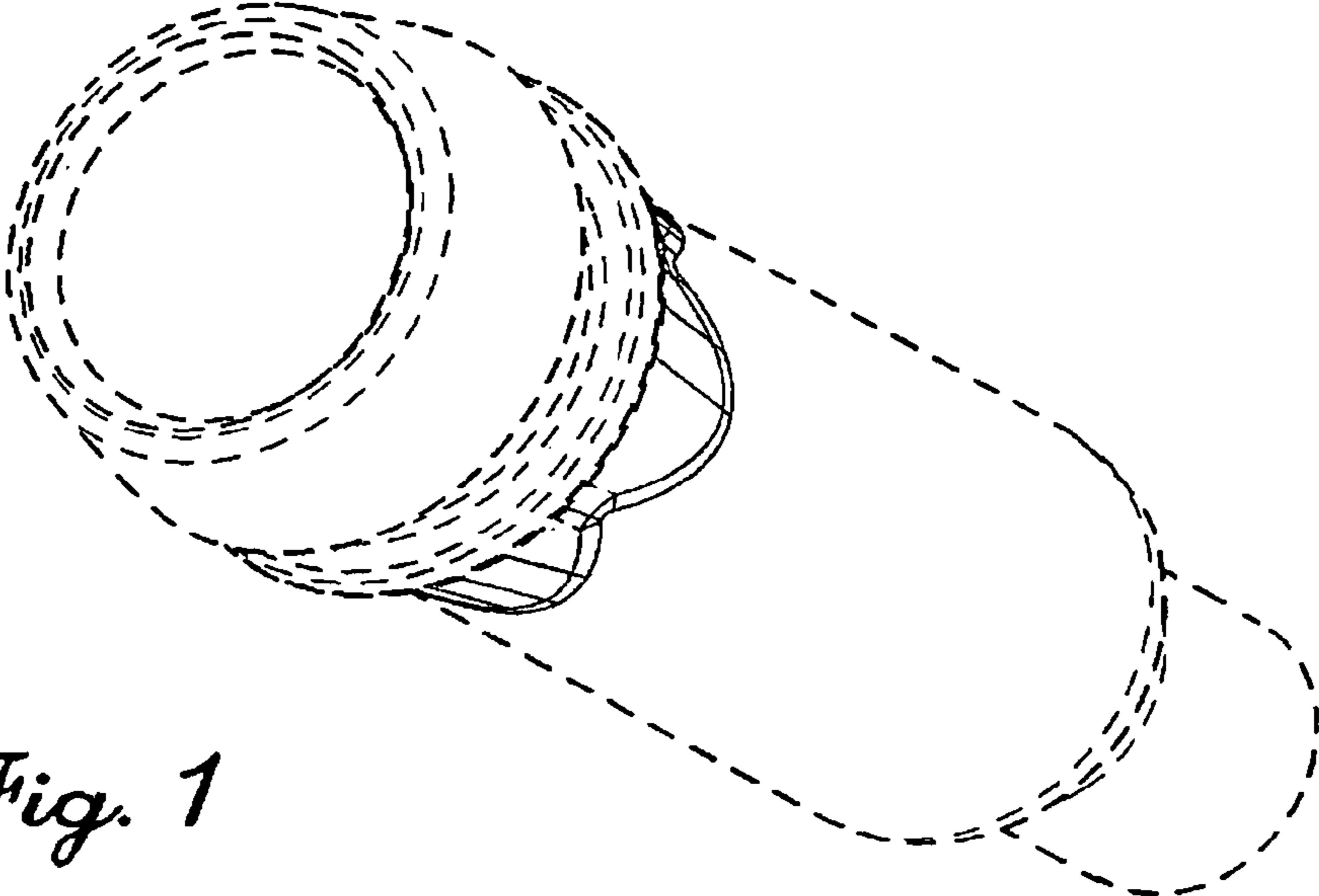


Fig. 1

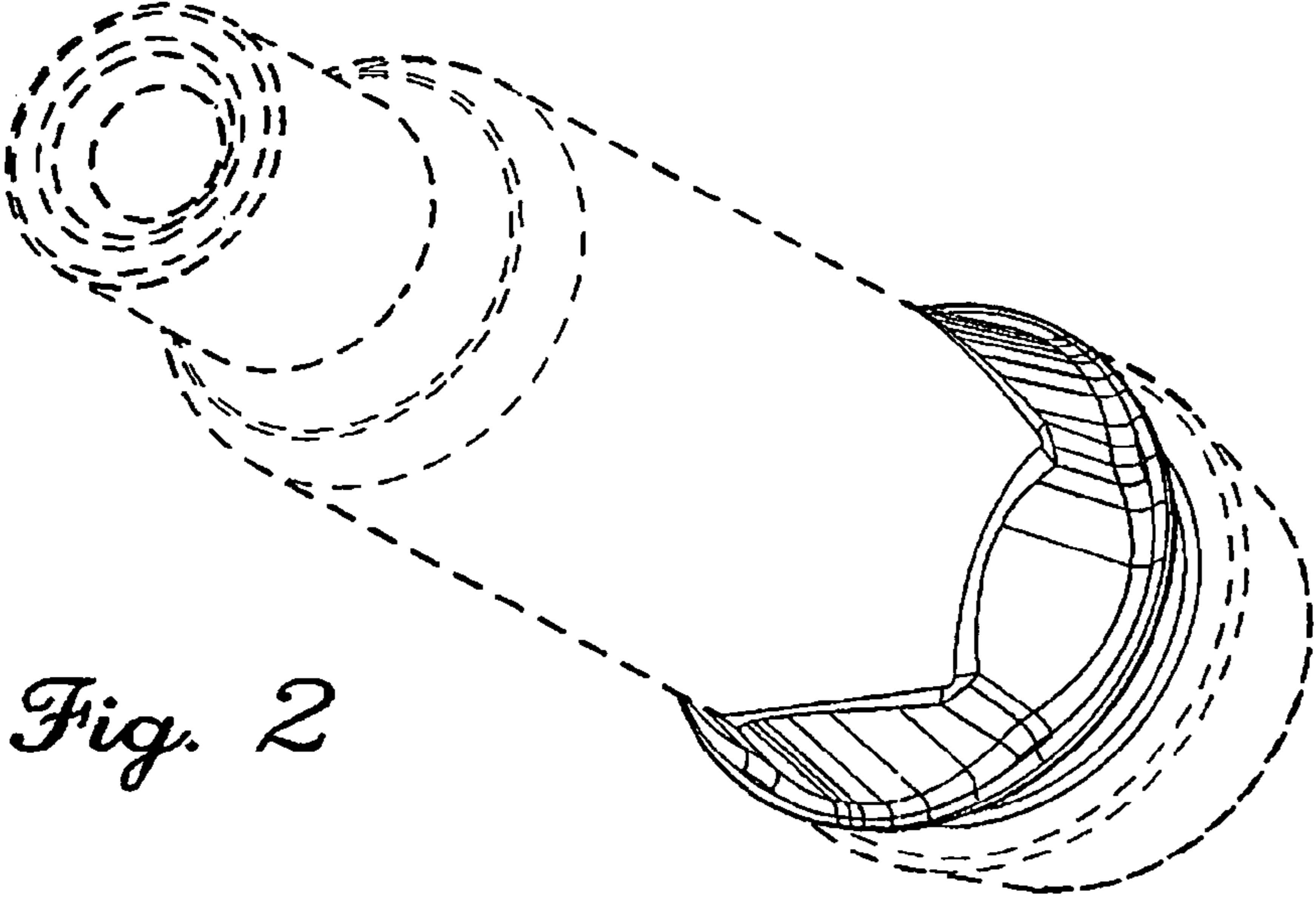


Fig. 2

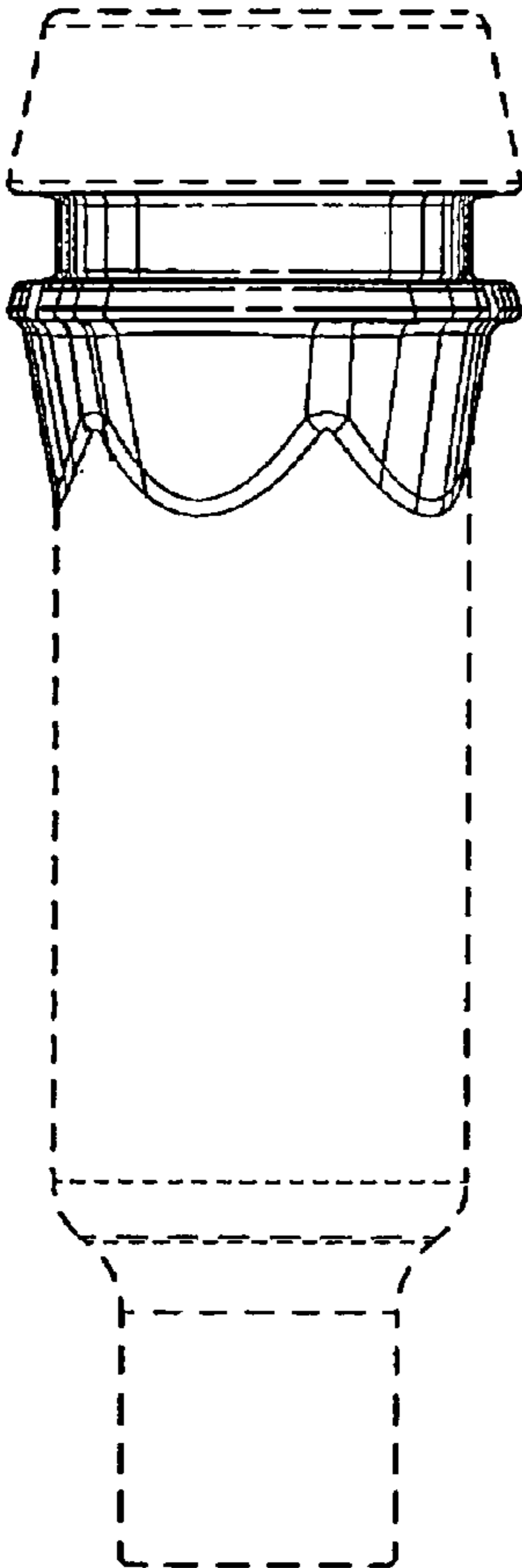


Fig. 3

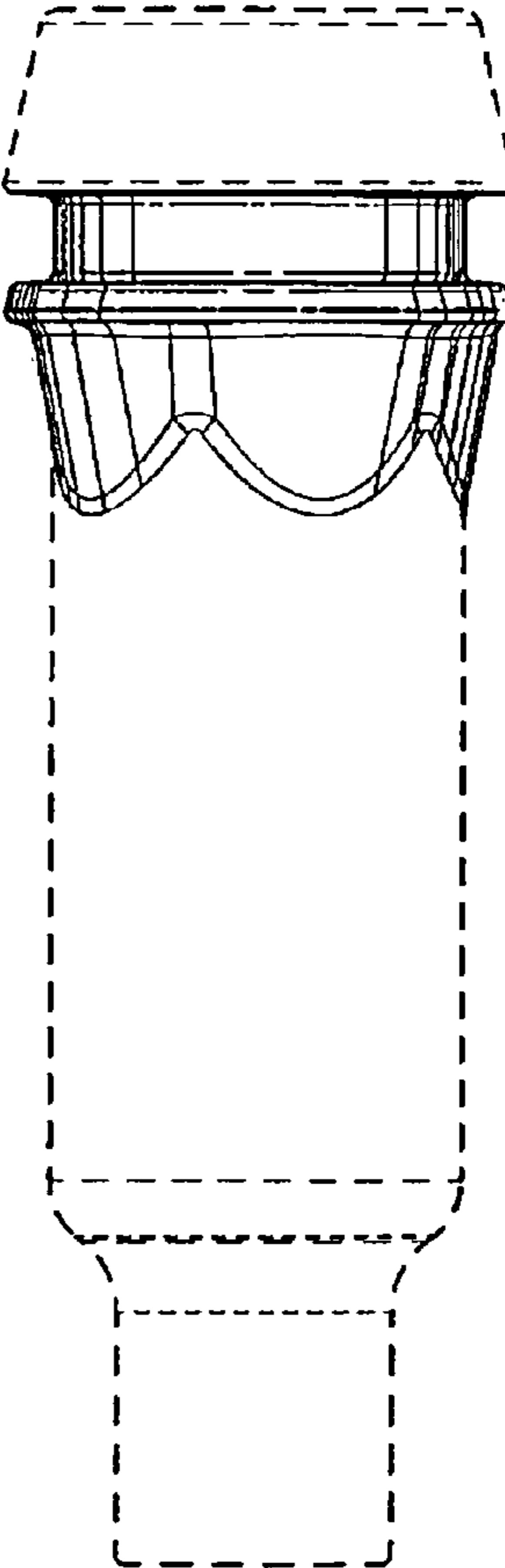


Fig. 4

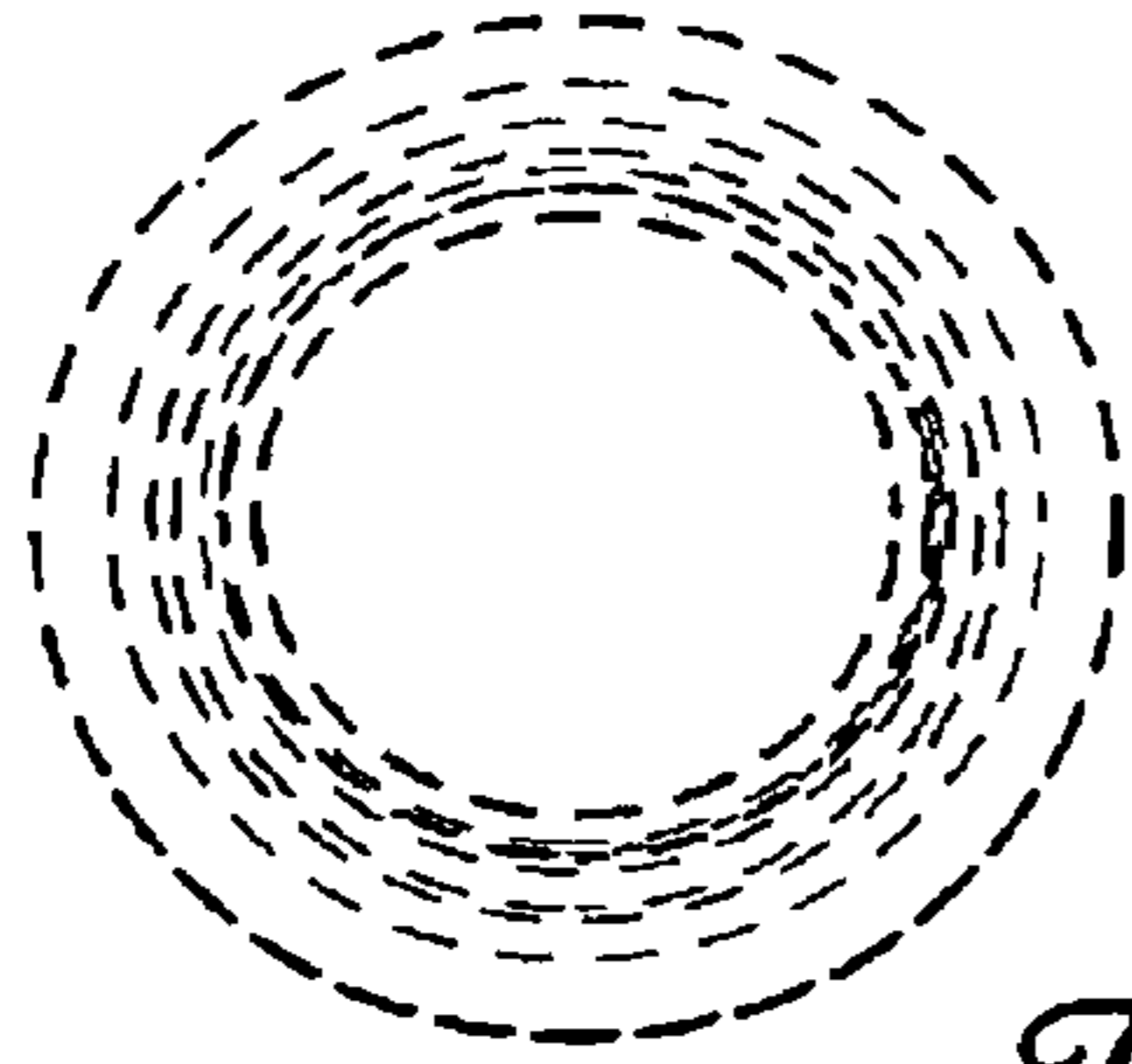


Fig. 5

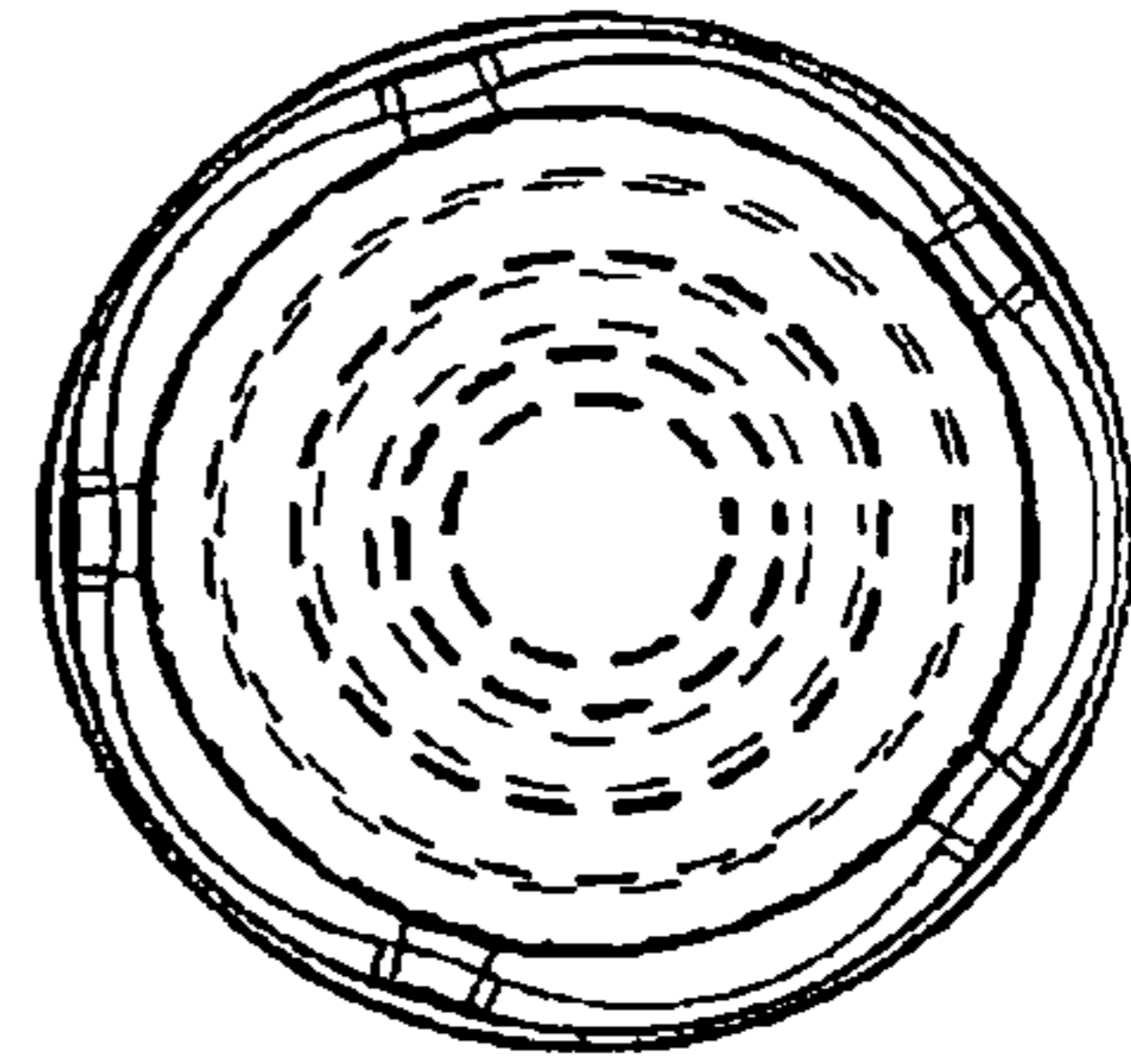


Fig. 6

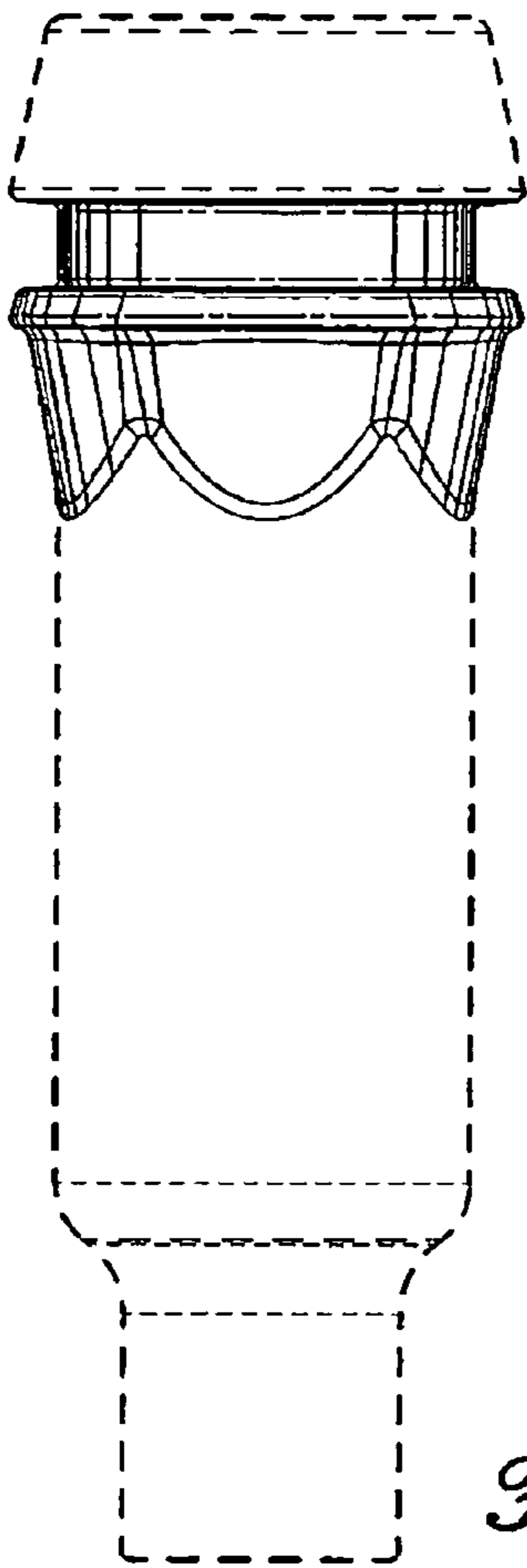


Fig. 7

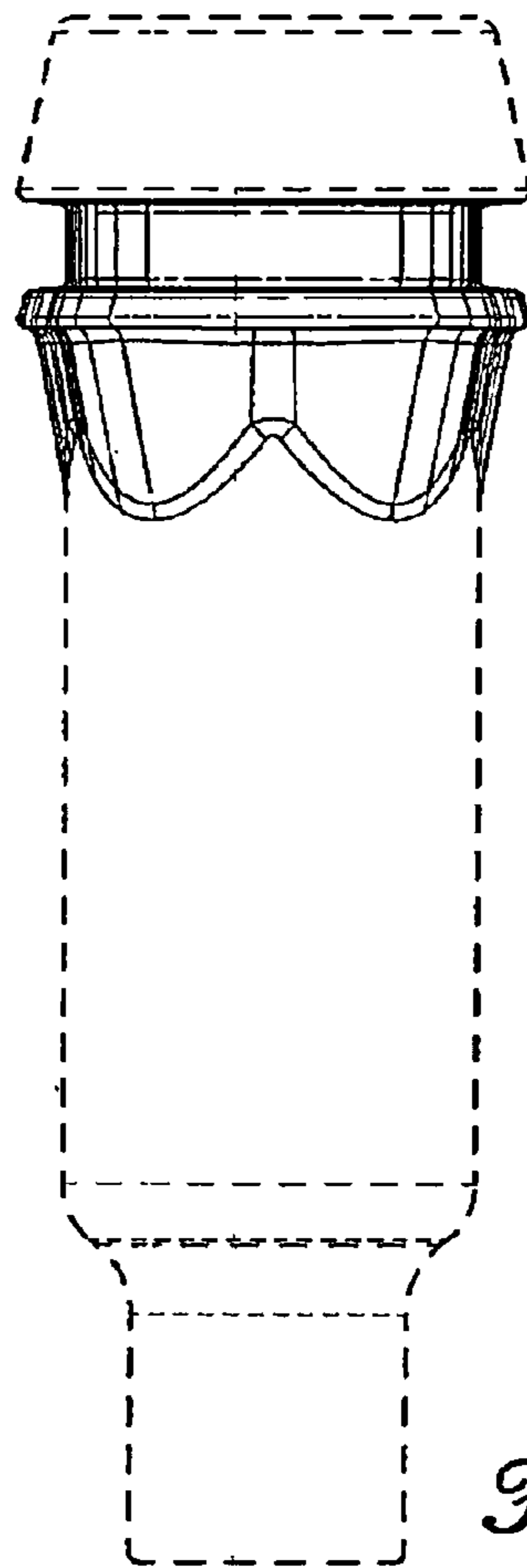


Fig. 8

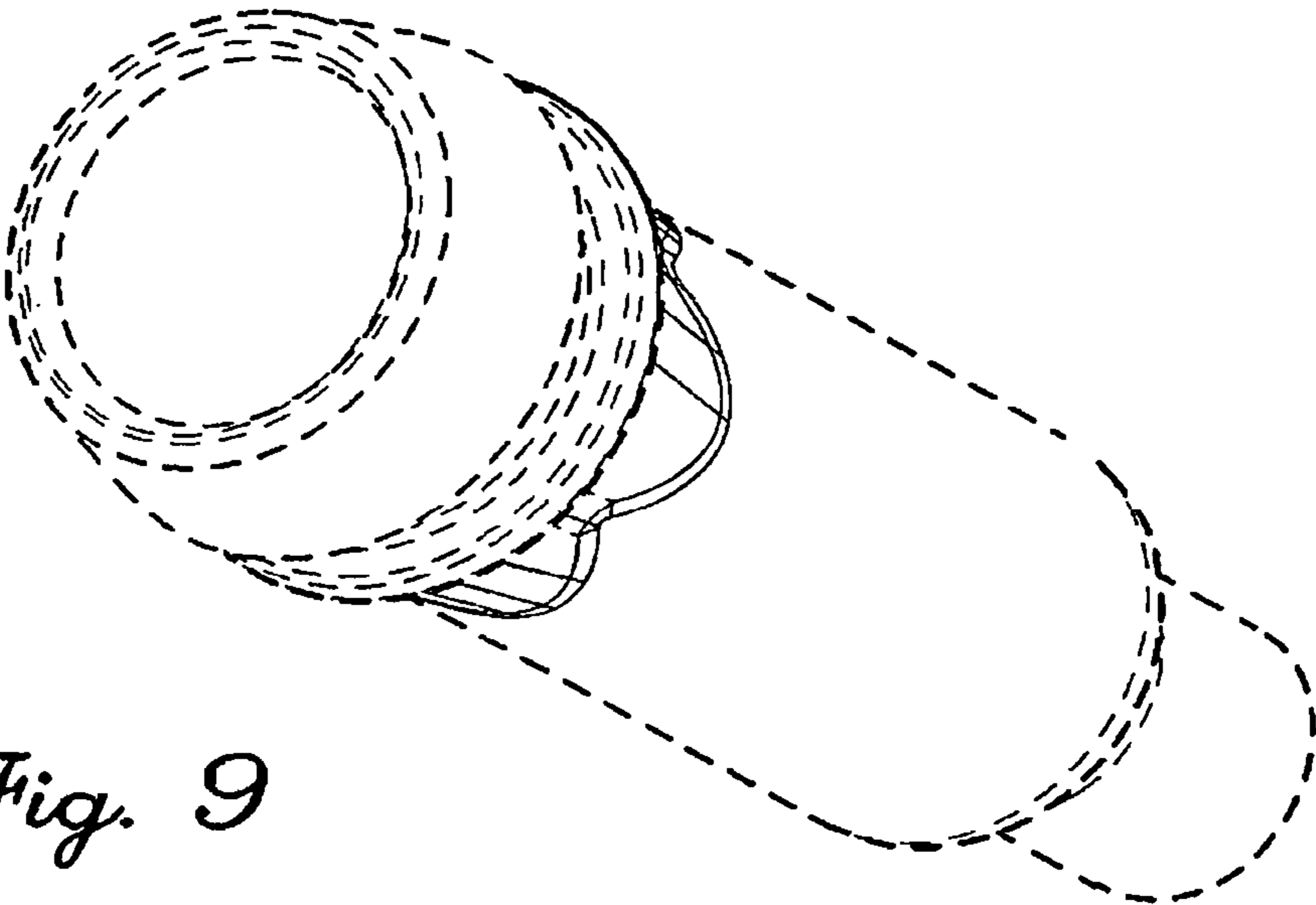


Fig. 9

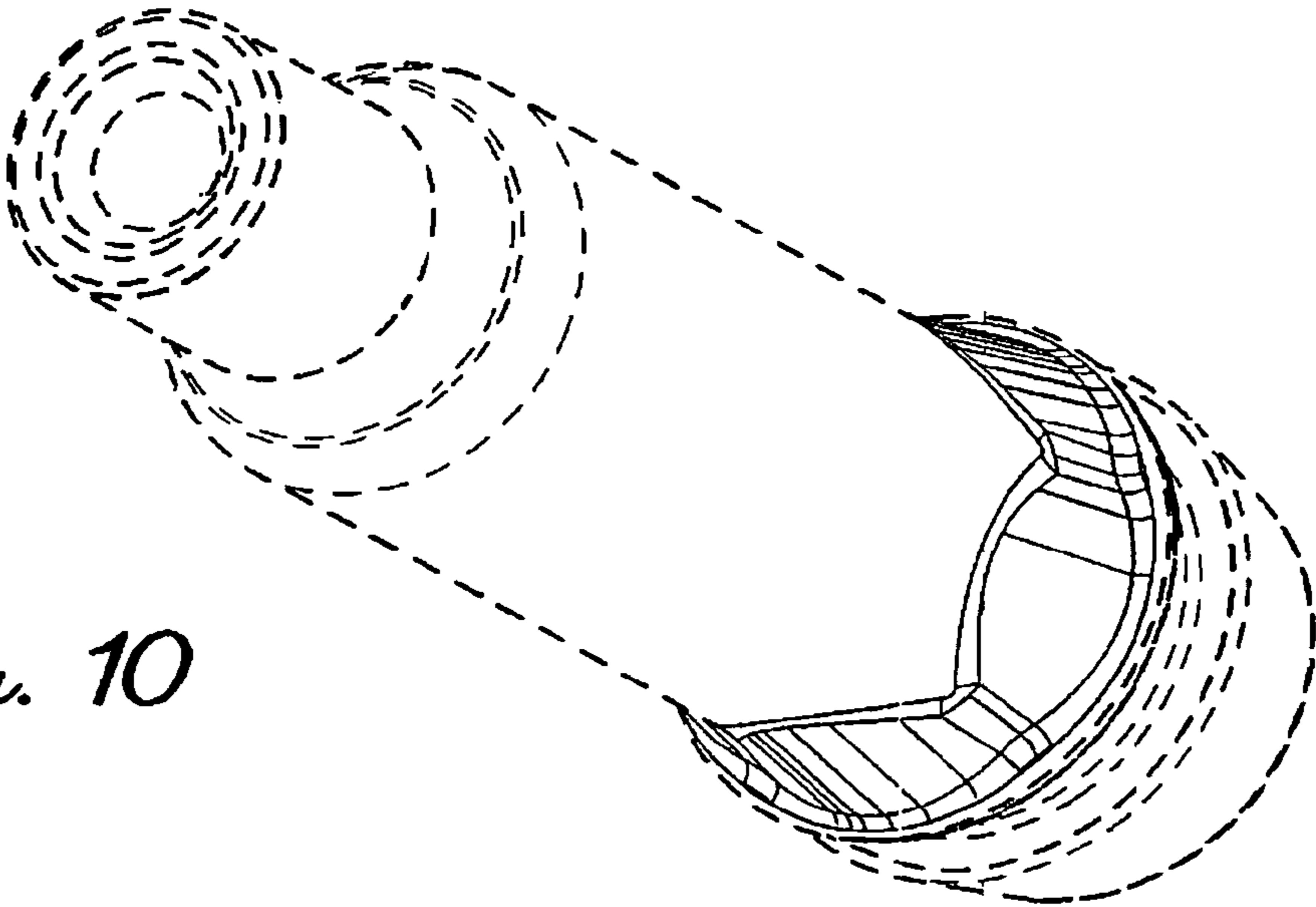


Fig. 10

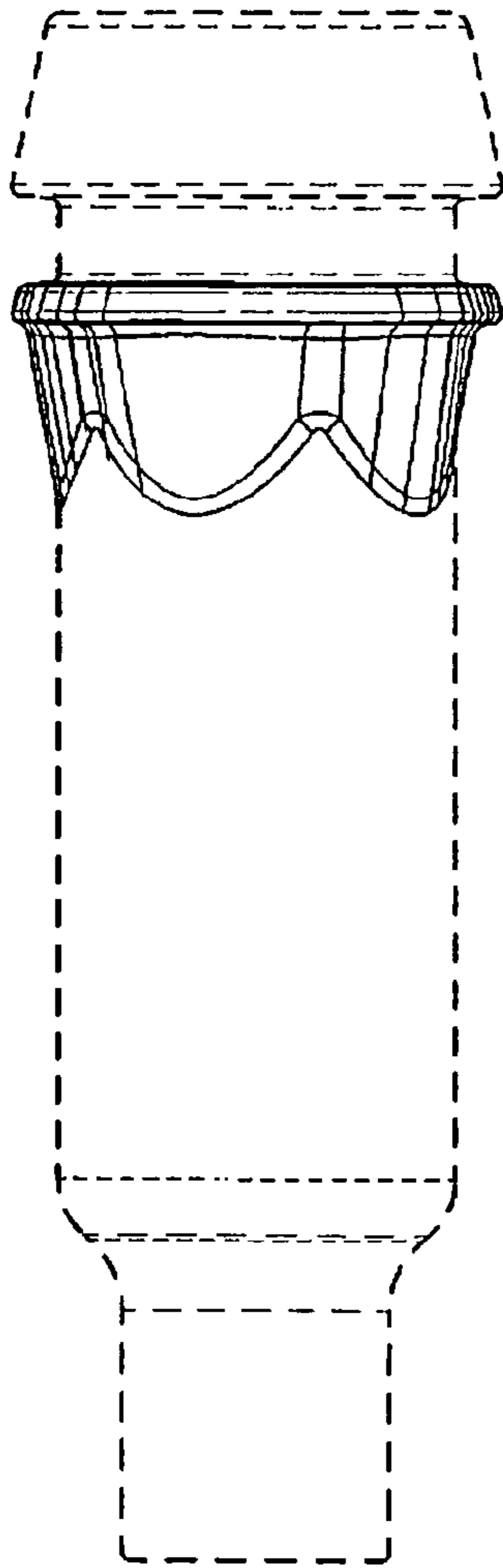


Fig. 11

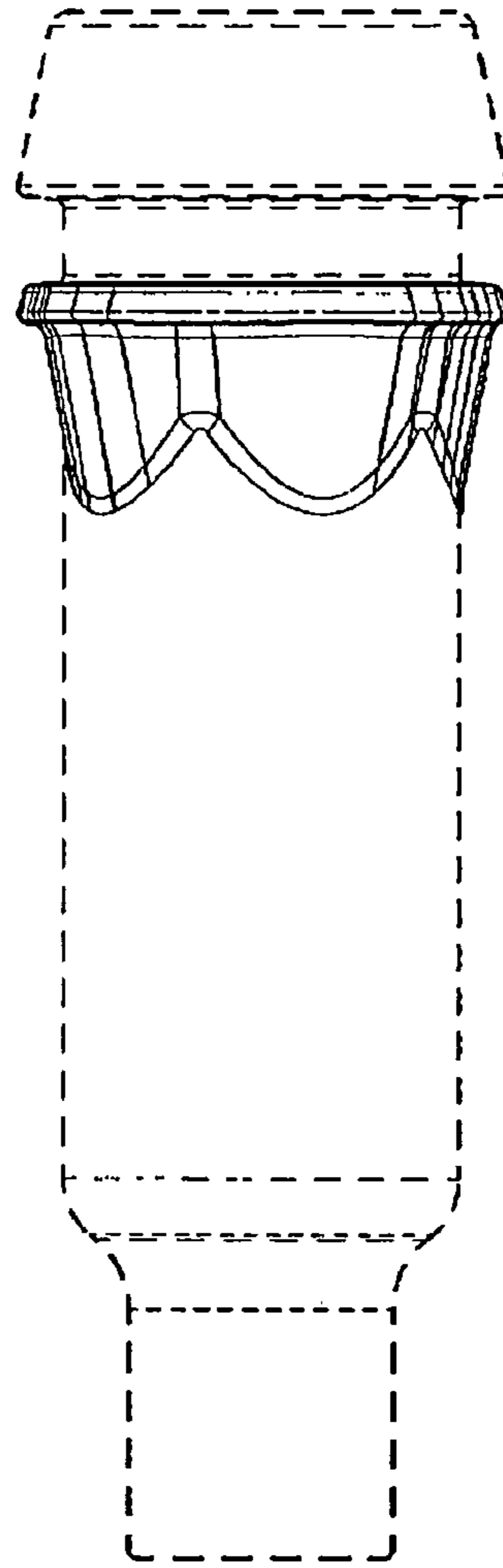


Fig. 12

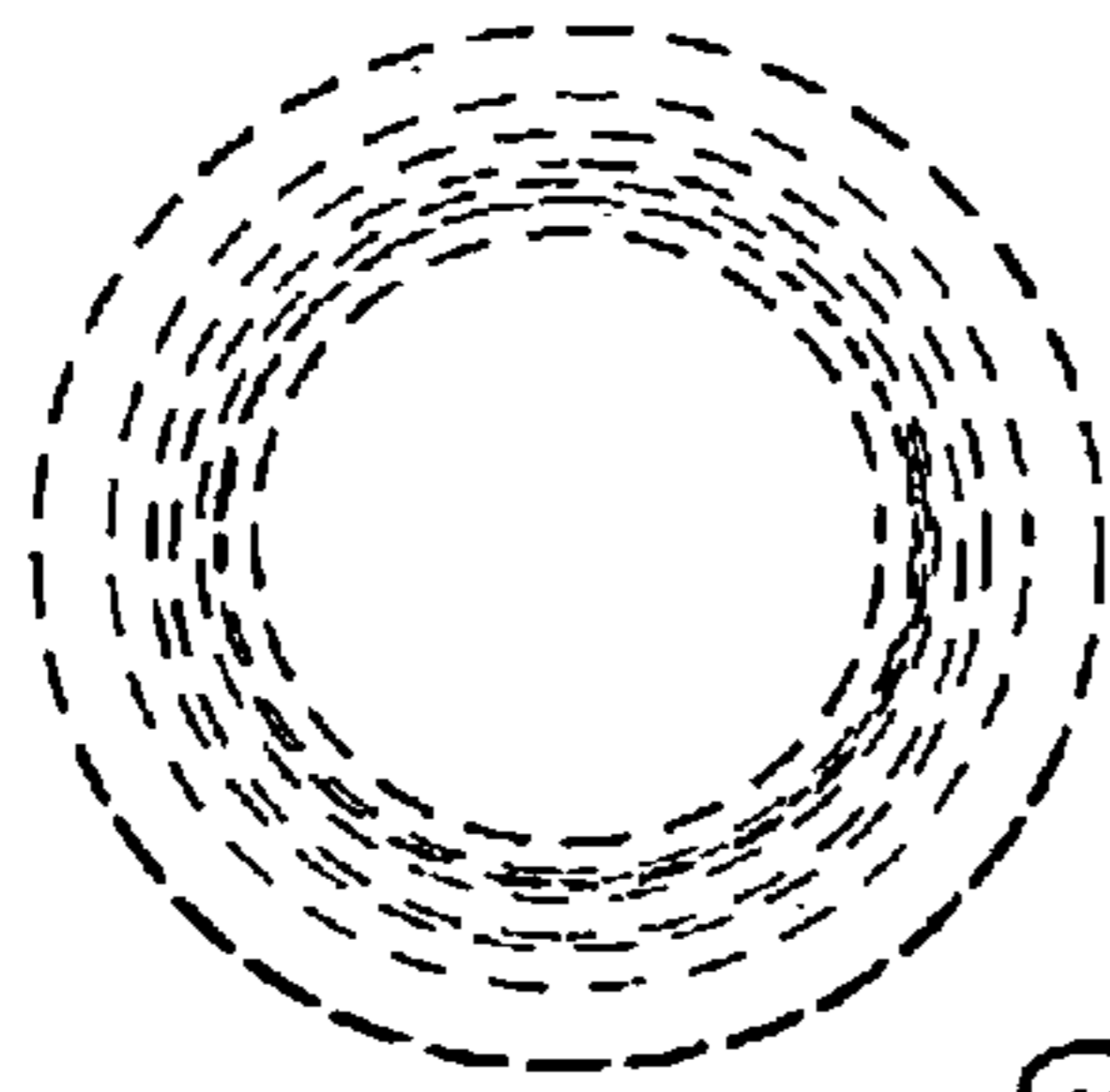


Fig. 13

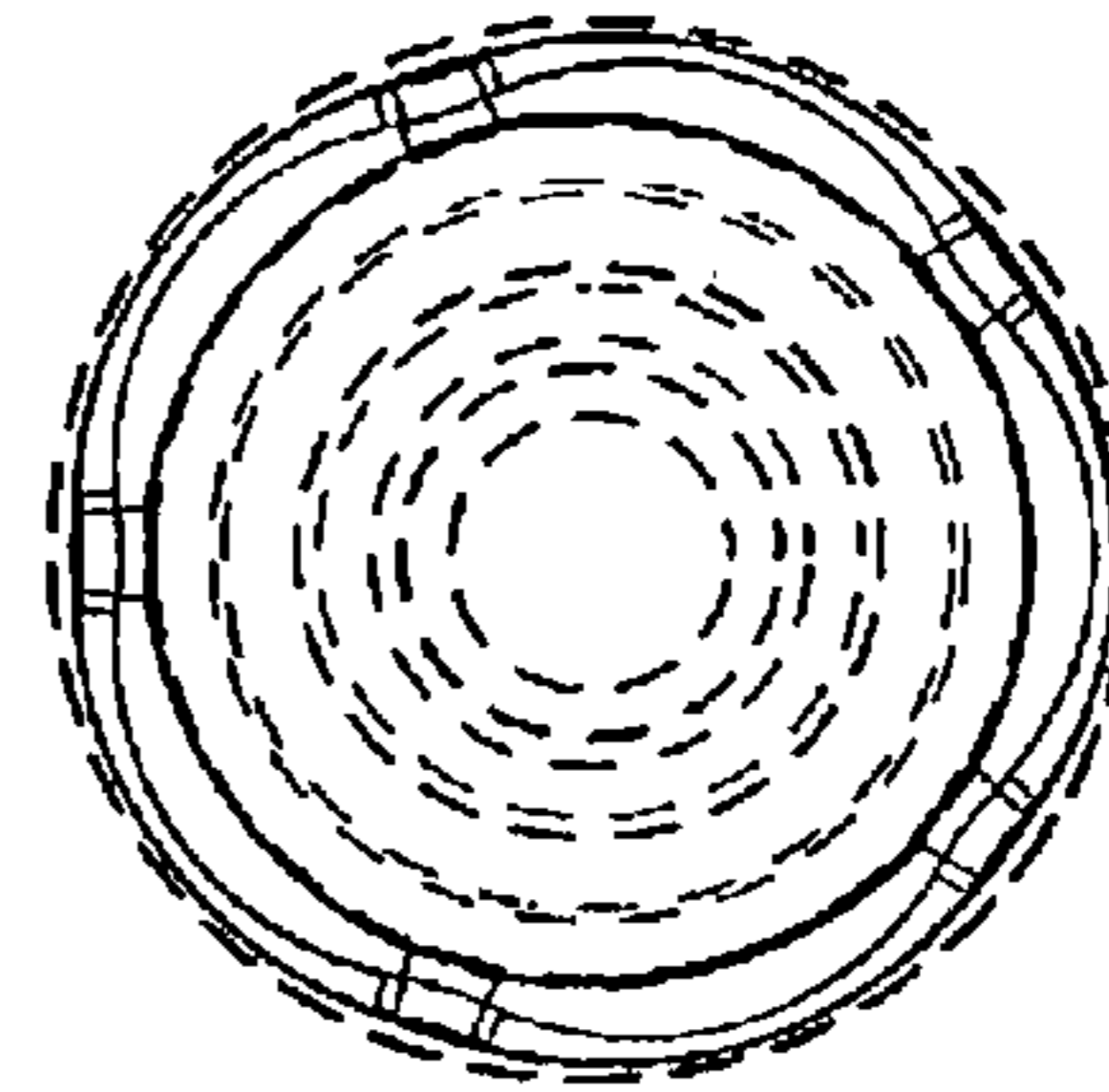


Fig. 14

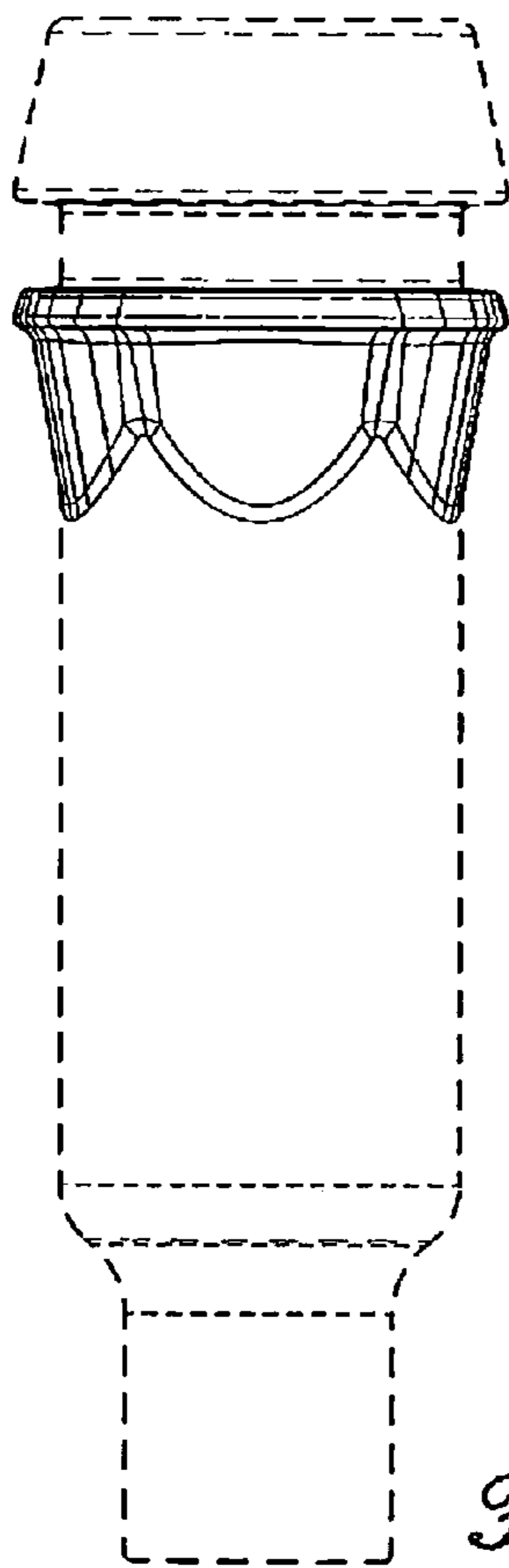


Fig. 15

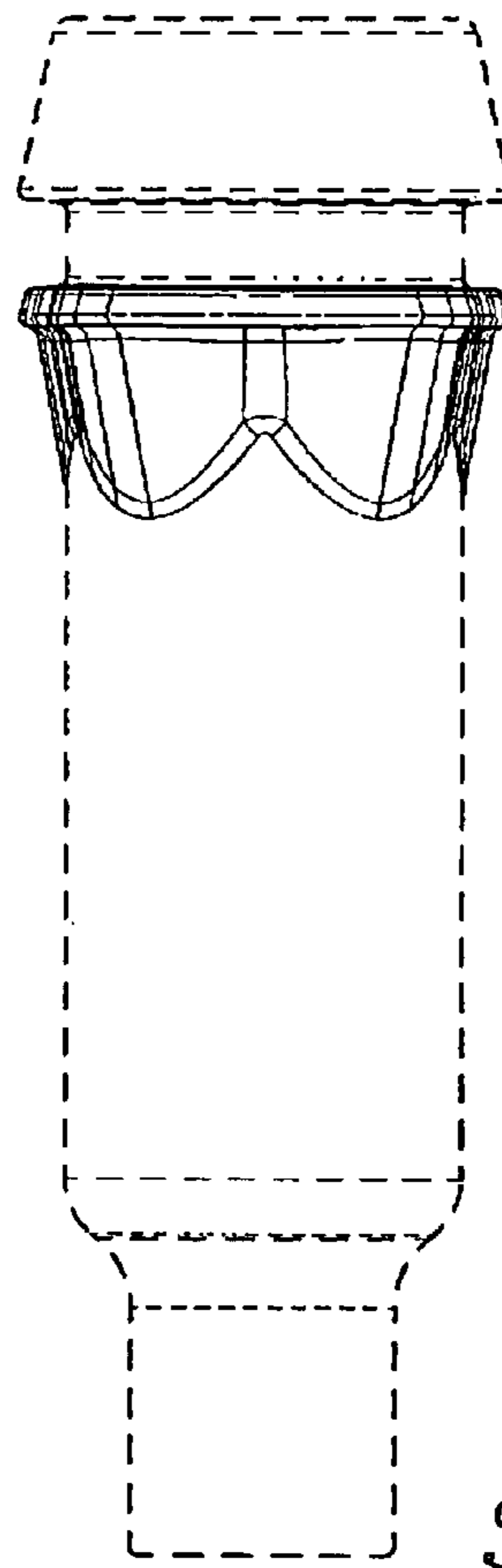


Fig. 16