



US00D723114S

(12) **United States Design Patent**
Li

(10) **Patent No.:** **US D723,114 S**

(45) **Date of Patent:** **** Feb. 24, 2015**

(54) **TOY GUN**

(71) Applicant: **Shantou Top Toys Co., Ltd.**, Shantou,
Guangdong (CN)

(72) Inventor: **Fengchao Li**, Guangdong (CN)

(73) Assignee: **Shantou Top Toys Co., Ltd.**, Shantou
(CN)

(**) Term: **14 Years**

(21) Appl. No.: **29/476,861**

(22) Filed: **Dec. 18, 2013**

(51) **LOC (10) Cl.** **21-01**

(52) **U.S. Cl.**
USPC **D21/573**

(58) **Field of Classification Search**
USPC D21/454, 455, 569, 570; 124/45, 56,
124/65, 66, 78; 446/39, 435; 42/12
See application file for complete search history.

(56) **References Cited**

U.S. PATENT DOCUMENTS

2,505,428	A *	4/1950	Pope	124/65
4,892,081	A *	1/1990	Moormann	124/65
5,113,842	A *	5/1992	Moormann	124/65
D354,998	S *	1/1995	Arad et al.	D21/570

D355,000	S *	1/1995	Arad et al.	D21/570
5,611,321	A *	3/1997	Hoeting et al.	124/6
6,079,398	A *	6/2000	Grimm	124/16
D429,504	S *	8/2000	Hornsby et al.	D21/572
D658,726	S *	5/2012	Greiner	D21/570
D658,727	S *	5/2012	Greiner	D21/570
D664,604	S *	7/2012	Greiner	D21/570
8,371,280	B2 *	2/2013	Vanek	124/16
2010/0282227	A1 *	11/2010	Vanek	124/27

* cited by examiner

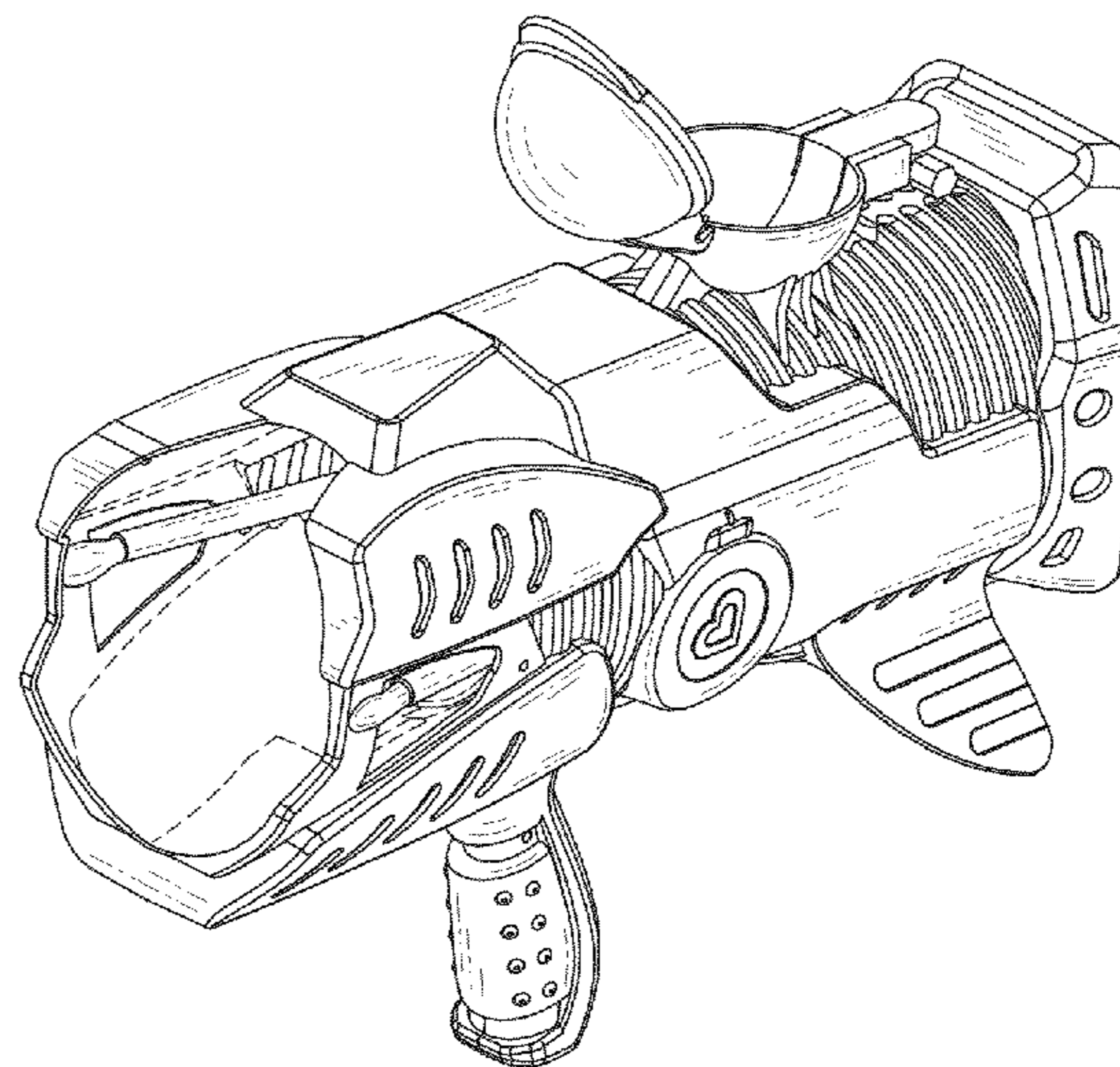
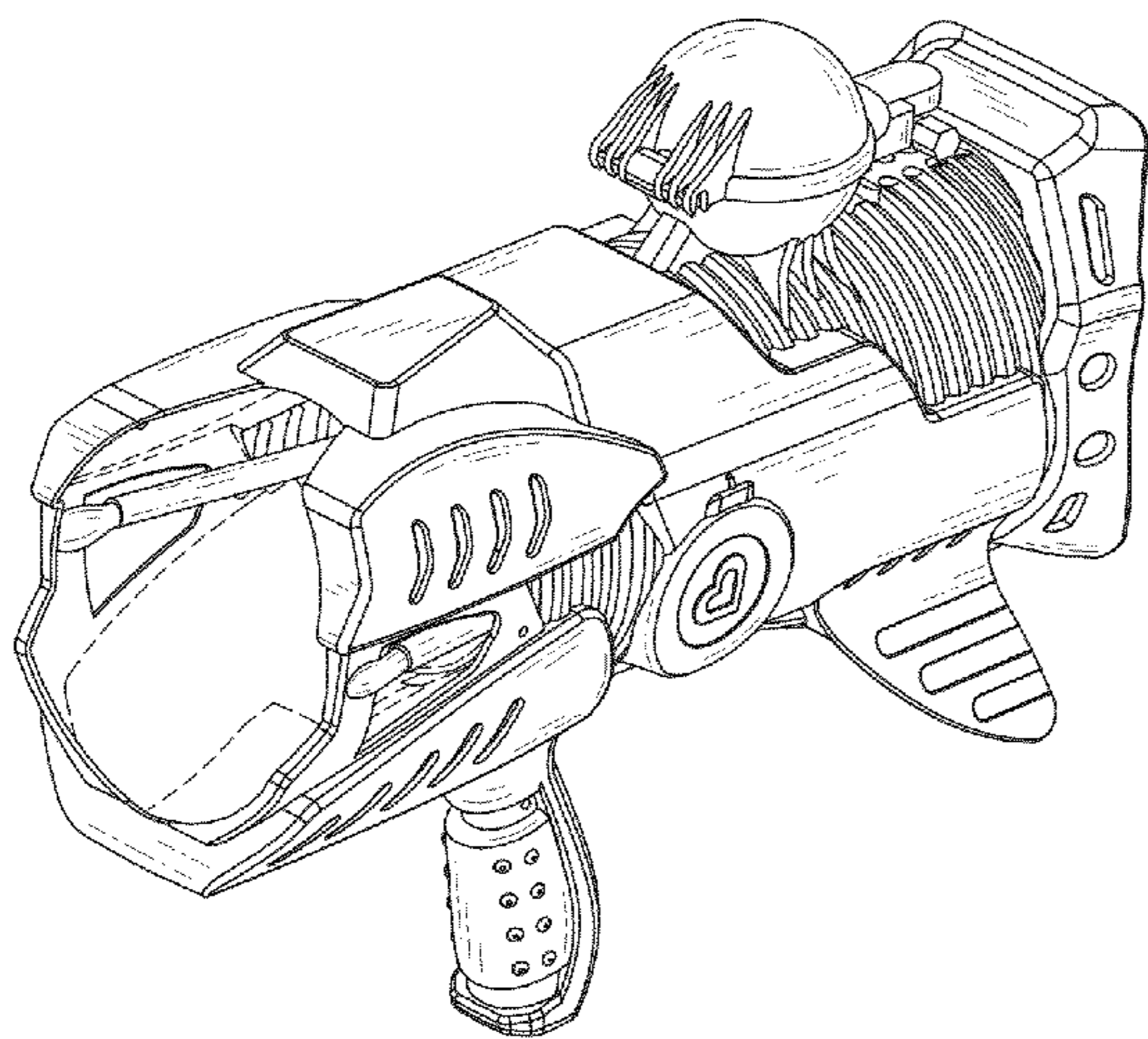
Primary Examiner — Cynthia M Chin

(57) **CLAIM**
The ornamental design for a toy gun, as shown and described.

DESCRIPTION

FIG. 1 is a perspective view of a toy gun of my new design; FIG. 2 is a perspective view of the toy gun shown in FIG. 1, with the toy gun being in use; FIG. 3 is a perspective view of the toy gun shown in FIG. 1, with the toy gun being in another state of use; FIG. 4 is a front elevation view of the toy gun shown in FIG. 1; FIG. 5 is a rear elevation view of the toy gun shown in FIG. 1; FIG. 6 is a left side view of the toy gun shown in FIG. 1; FIG. 7 is a right side view of the toy gun shown in FIG. 1; FIG. 8 is a top plan view of the toy gun shown in FIG. 1; and, FIG. 9 is a bottom plan view of the toy gun shown in FIG. 1. The broken lines in the drawings illustrate environmental structures and do not form part of the claimed design.

1 Claim, 6 Drawing Sheets



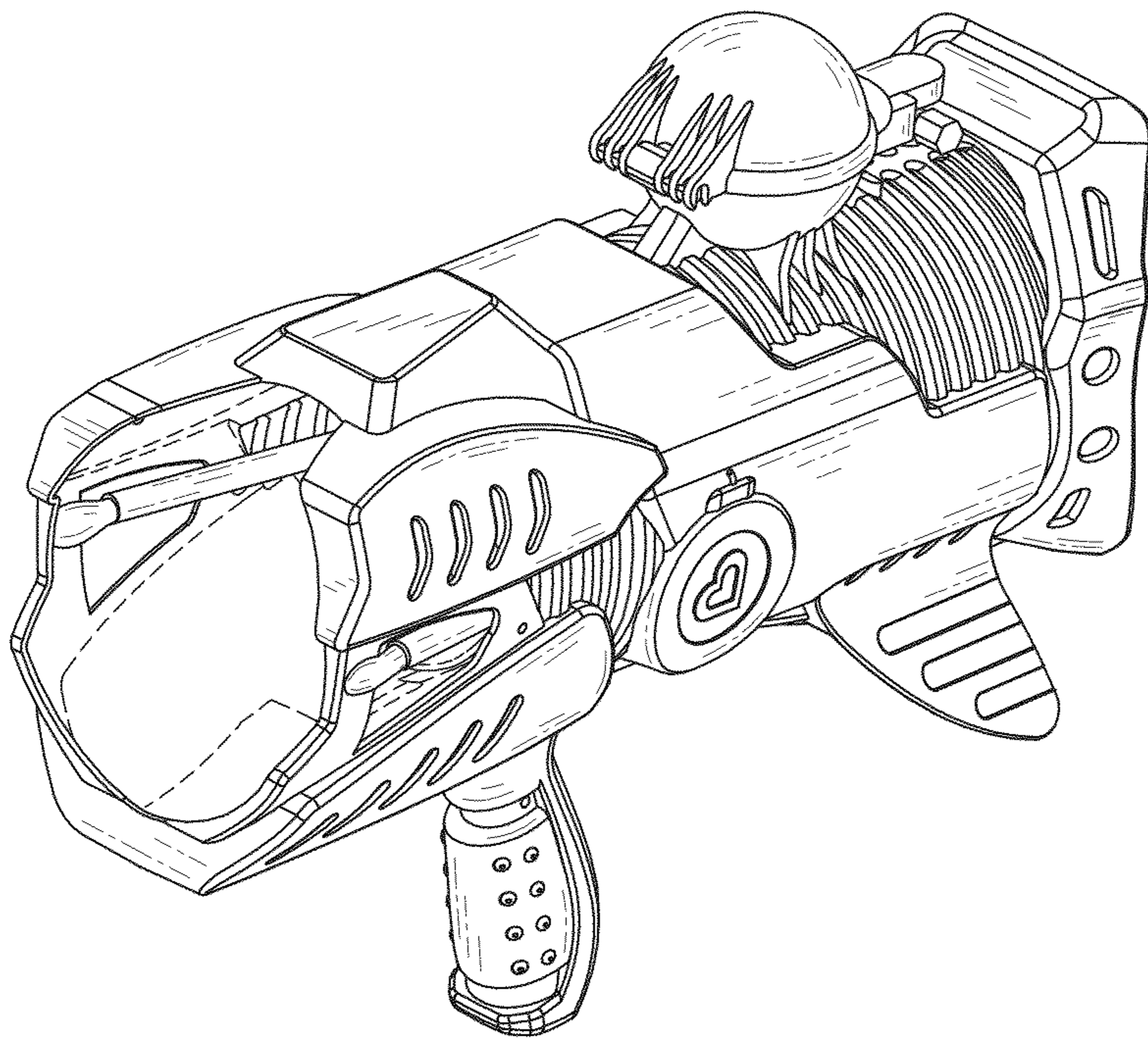


FIG.1

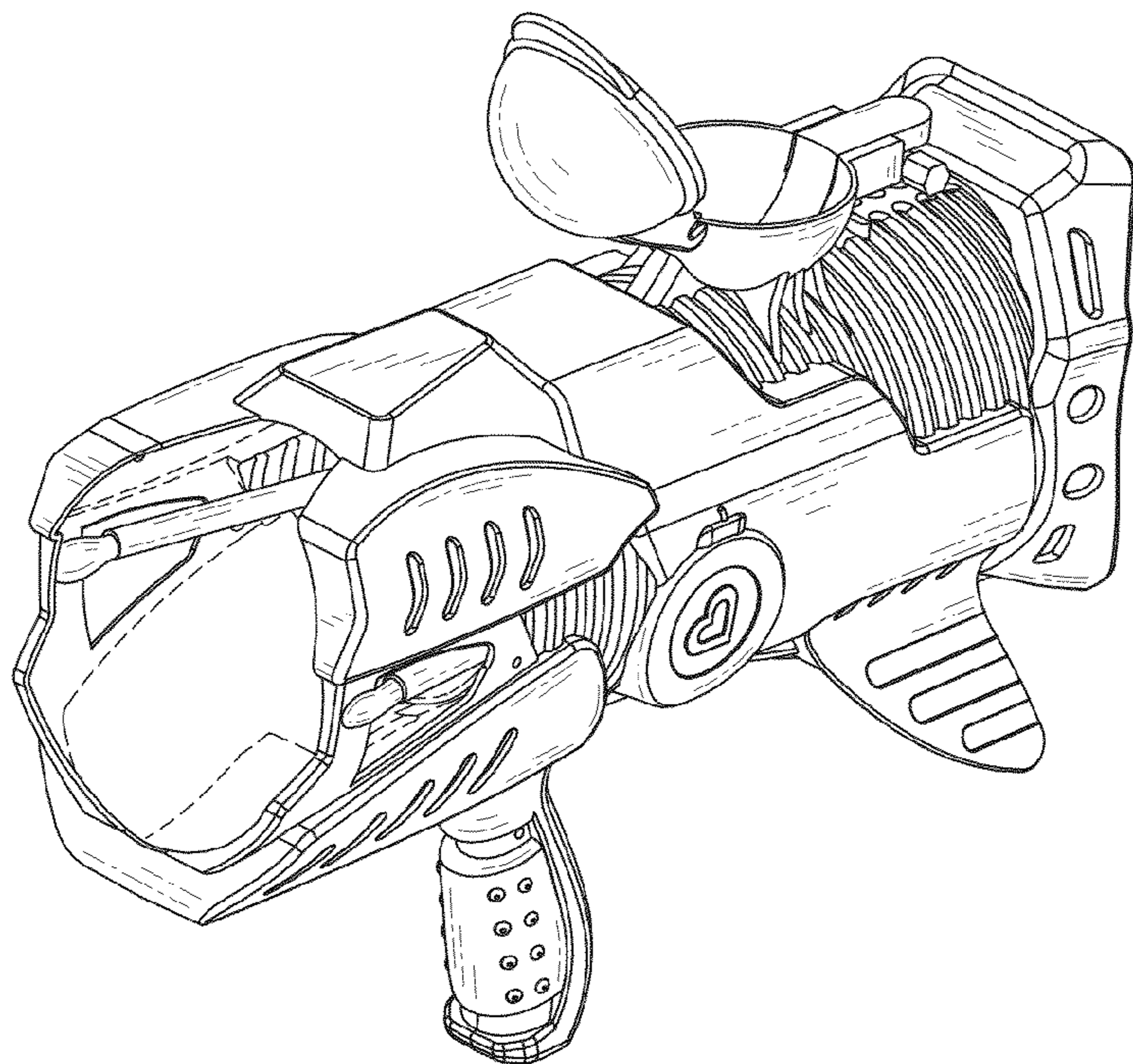


FIG.2

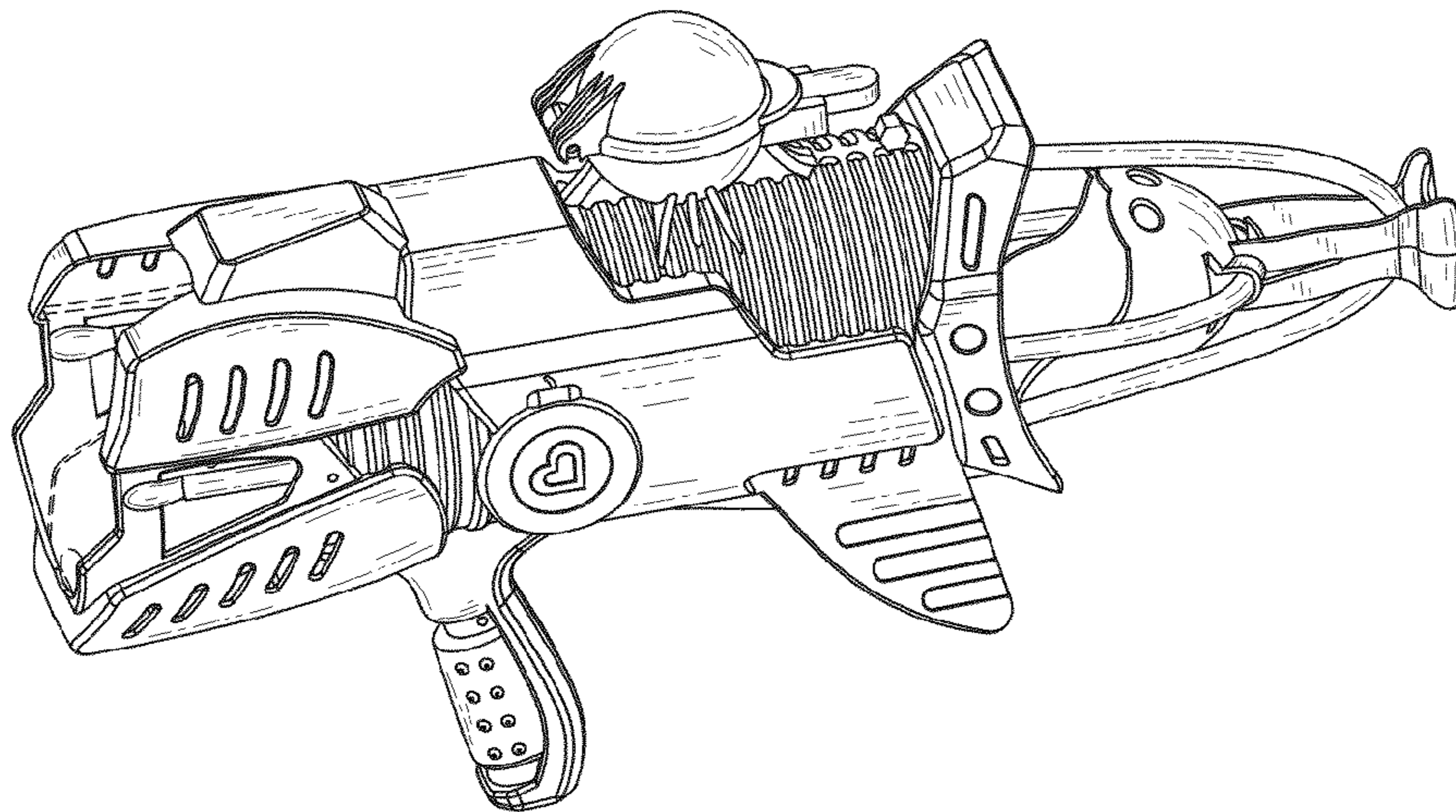


FIG.3

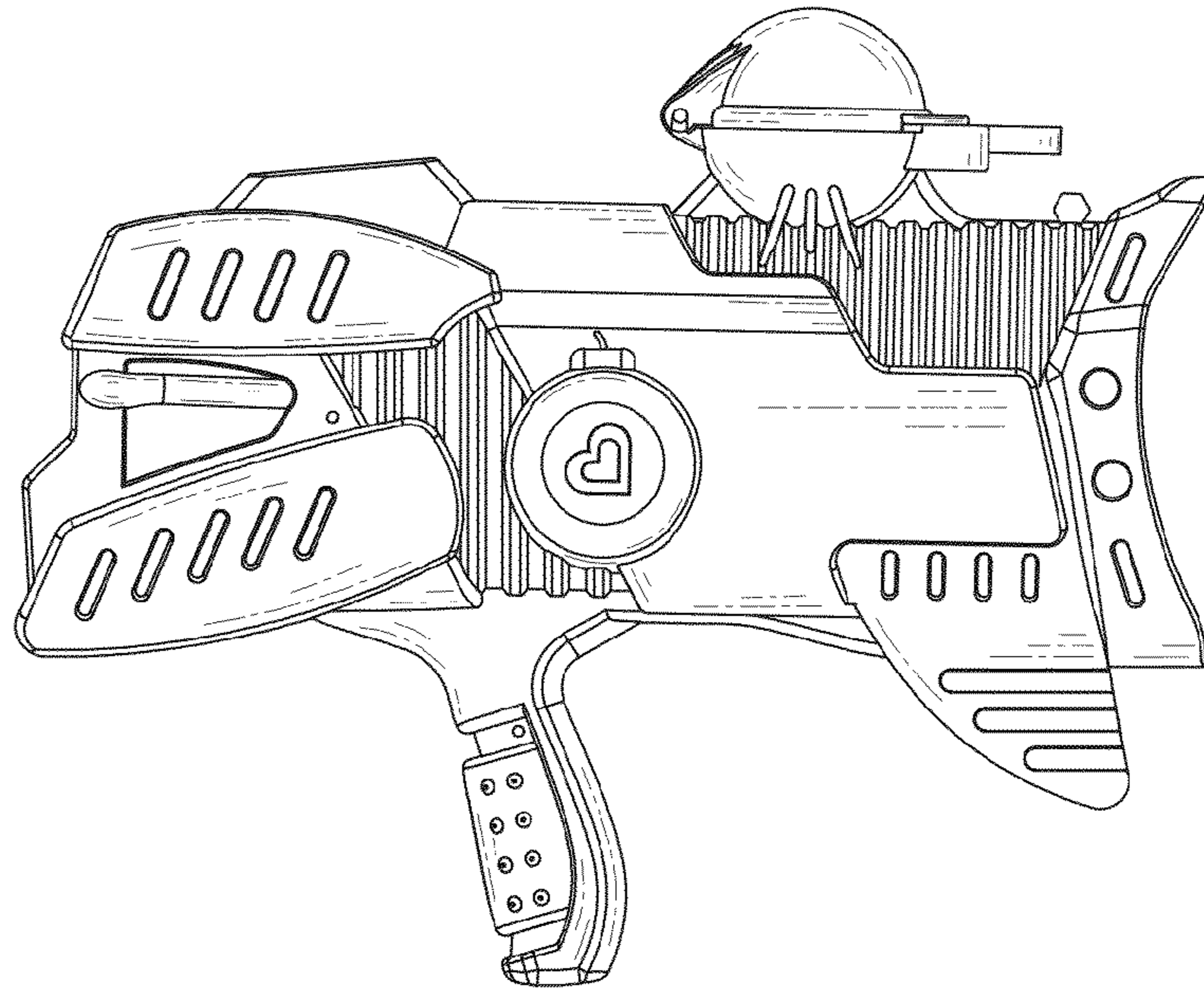


FIG. 4

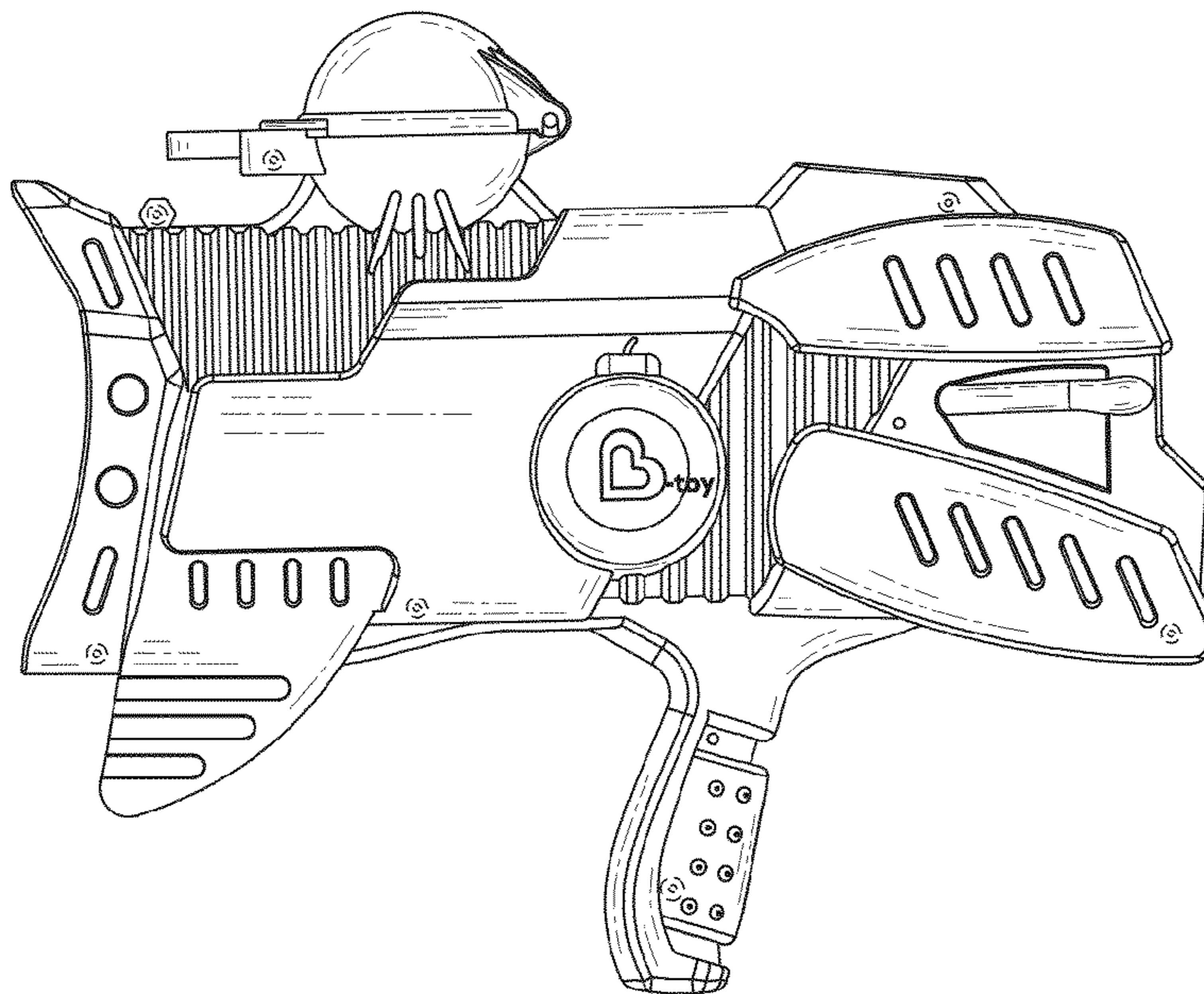


FIG. 5

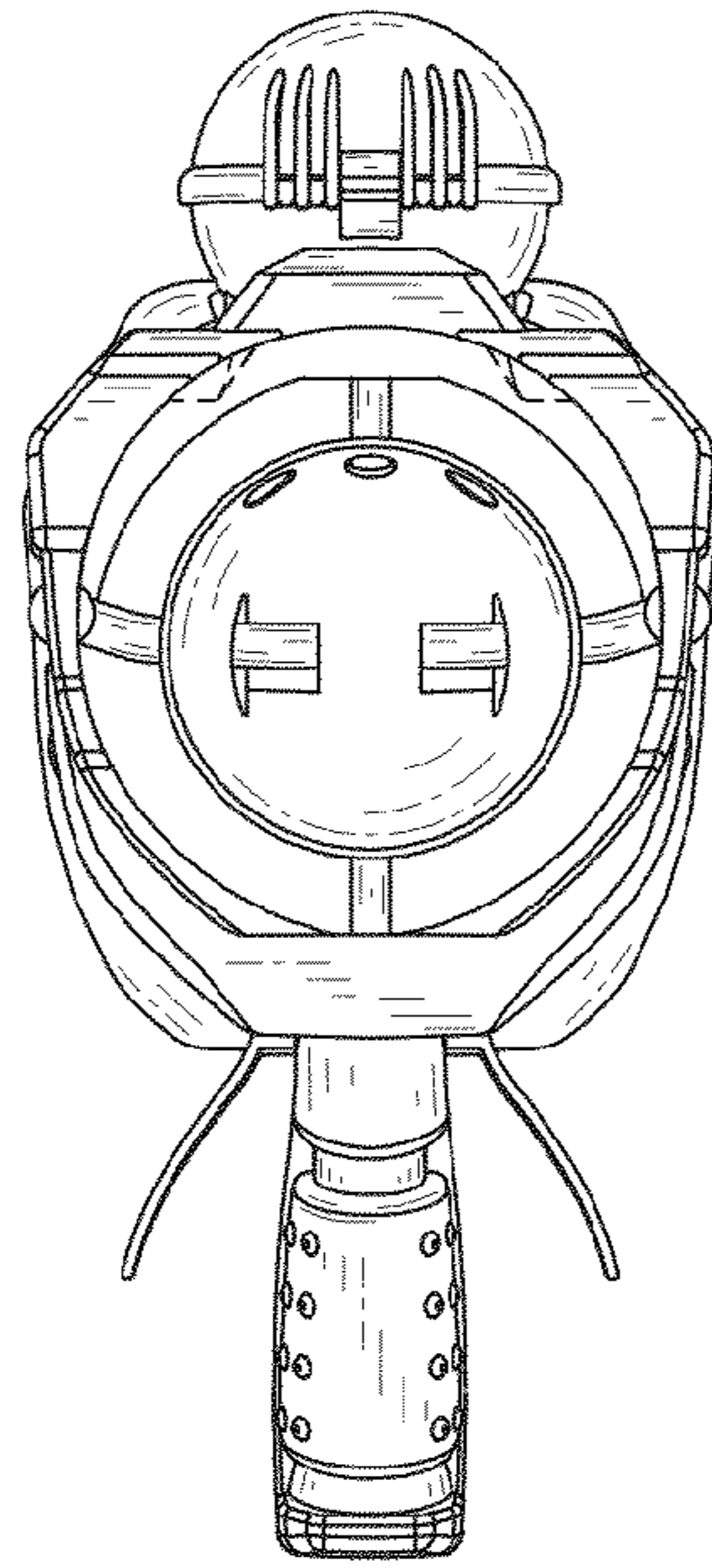


FIG. 6

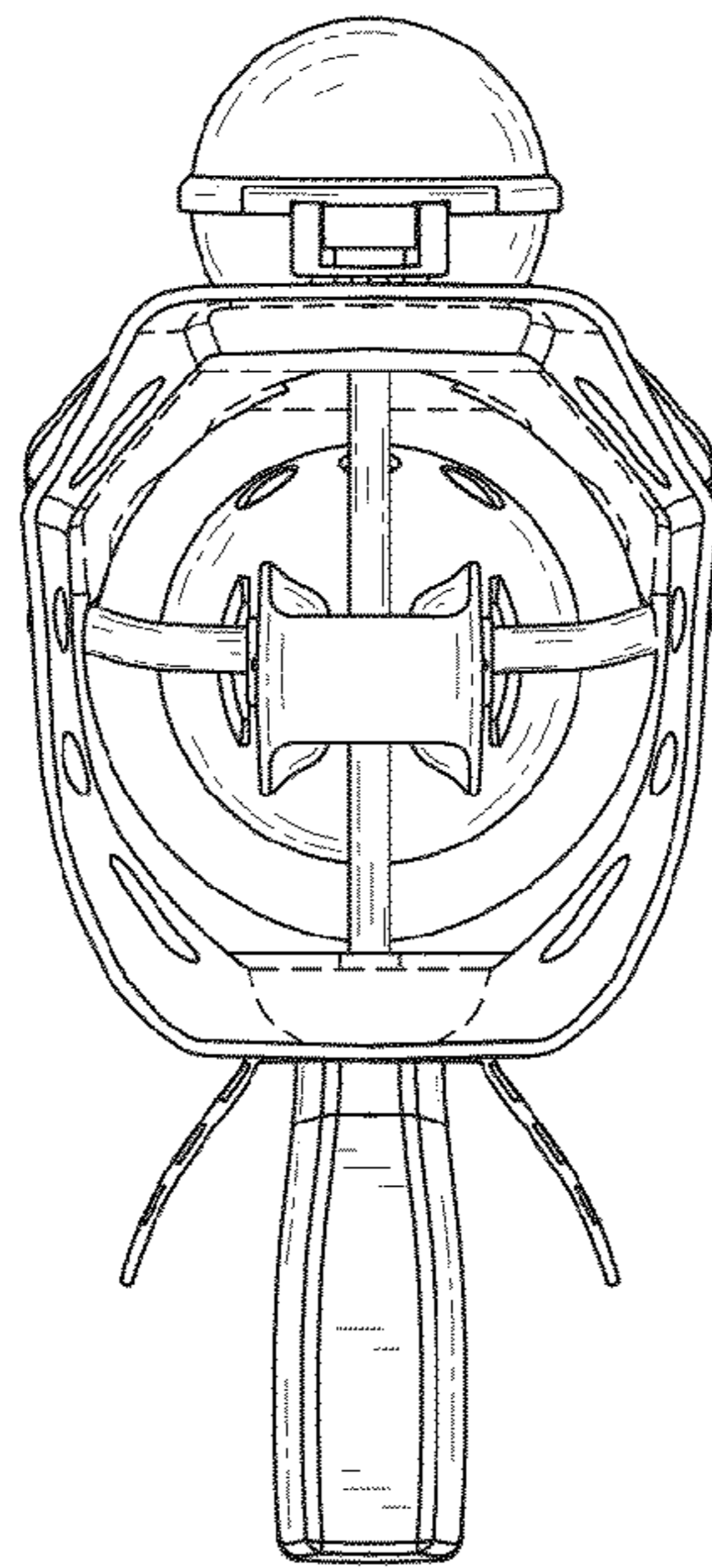


FIG. 7

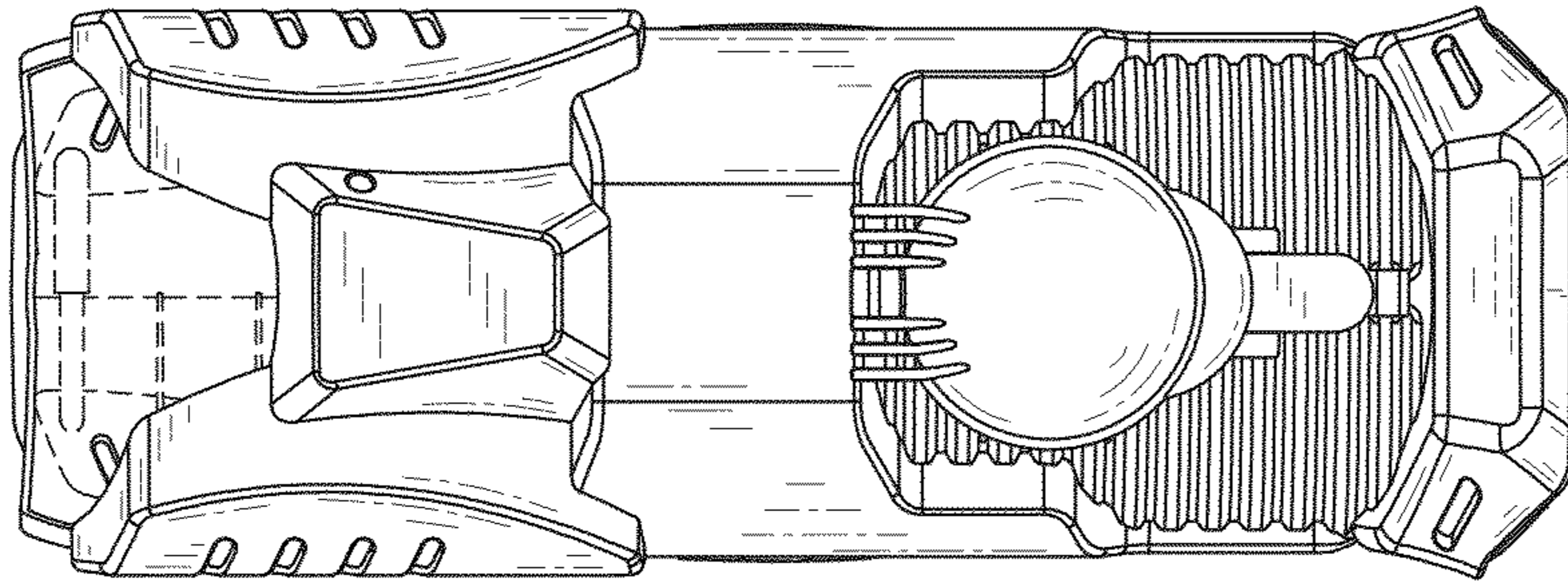


FIG. 8

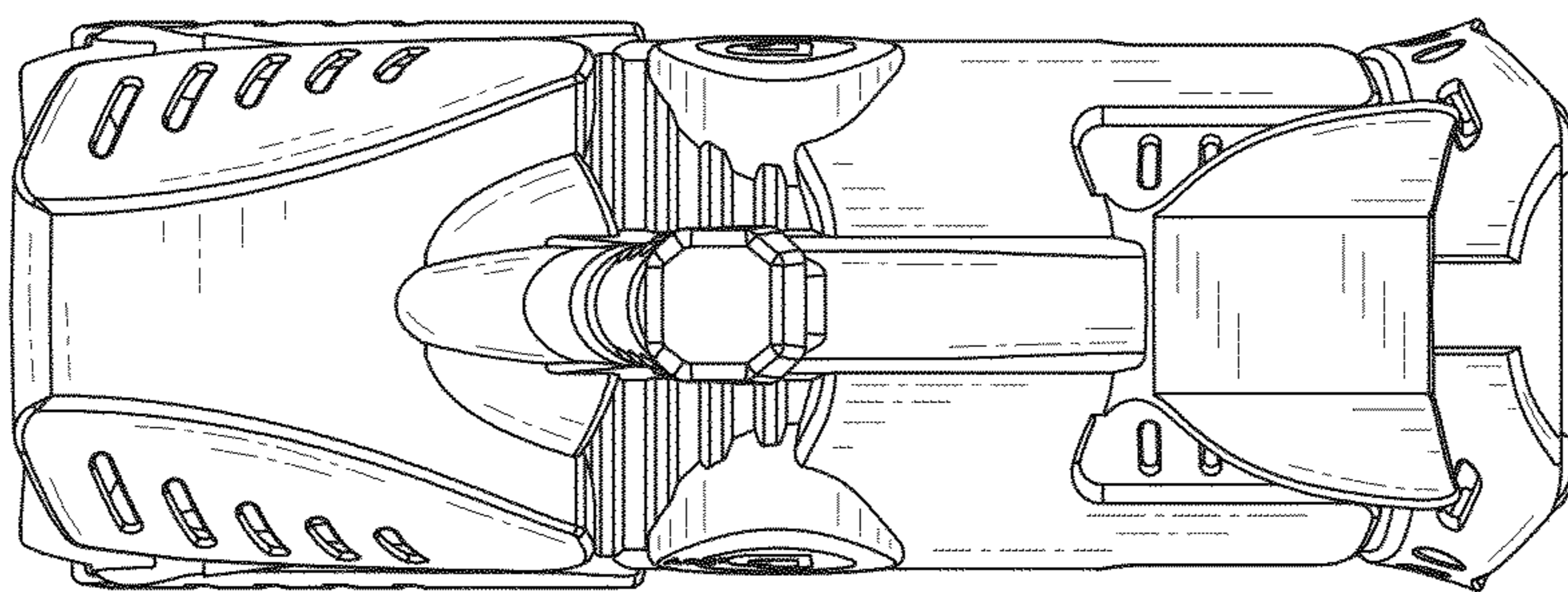


FIG. 9