



US00D723112S

(12) **United States Design Patent**
Schutt

(10) **Patent No.:** **US D723,112 S**

(45) **Date of Patent:** **** Feb. 24, 2015**

(54) **TOY CONSTRUCTION SET COMPONENT**

(71) Applicant: **Gerald Schutt**, Whitehouse, OH (US)

(72) Inventor: **Gerald Schutt**, Whitehouse, OH (US)

(**) Term: **14 Years**

(21) Appl. No.: **29/493,232**

(22) Filed: **Jun. 6, 2014**

(51) **LOC (10) Cl.** **21-01**

(52) **U.S. Cl.**
USPC **D21/503**

(58) **Field of Classification Search**

CPC A63H 33/00; A63H 33/04; A63H 33/06;
A63H 33/08; A63H 33/10; A63H 33/12;
A63H 33/14; A63F 9/08; A63F 9/12; G09B

1/36
USPC D21/478, 479, 484, 485-505; 446/69,
446/85, 102-128; 434/208, 259, 403;
273/153, 156, 160; 428/174

See application file for complete search history.

(56) **References Cited**

U.S. PATENT DOCUMENTS

D295,541 S * 5/1988 Knudsen D21/484
D329,262 S * 9/1992 Hatting et al. D21/502

D343,429 S * 1/1994 Sorensen et al. D21/502
D344,769 S * 3/1994 Poulsen D21/502
D409,684 S * 5/1999 Elling et al. D21/503
D528,609 S * 9/2006 Kossmann D21/503
D547,394 S * 7/2007 Toft D21/484
D616,047 S * 5/2010 Christensen D21/502
D708,680 S * 7/2014 Norman et al. D21/503
D711,981 S * 8/2014 Norman et al. D21/503

* cited by examiner

Primary Examiner — Cynthia M Chin

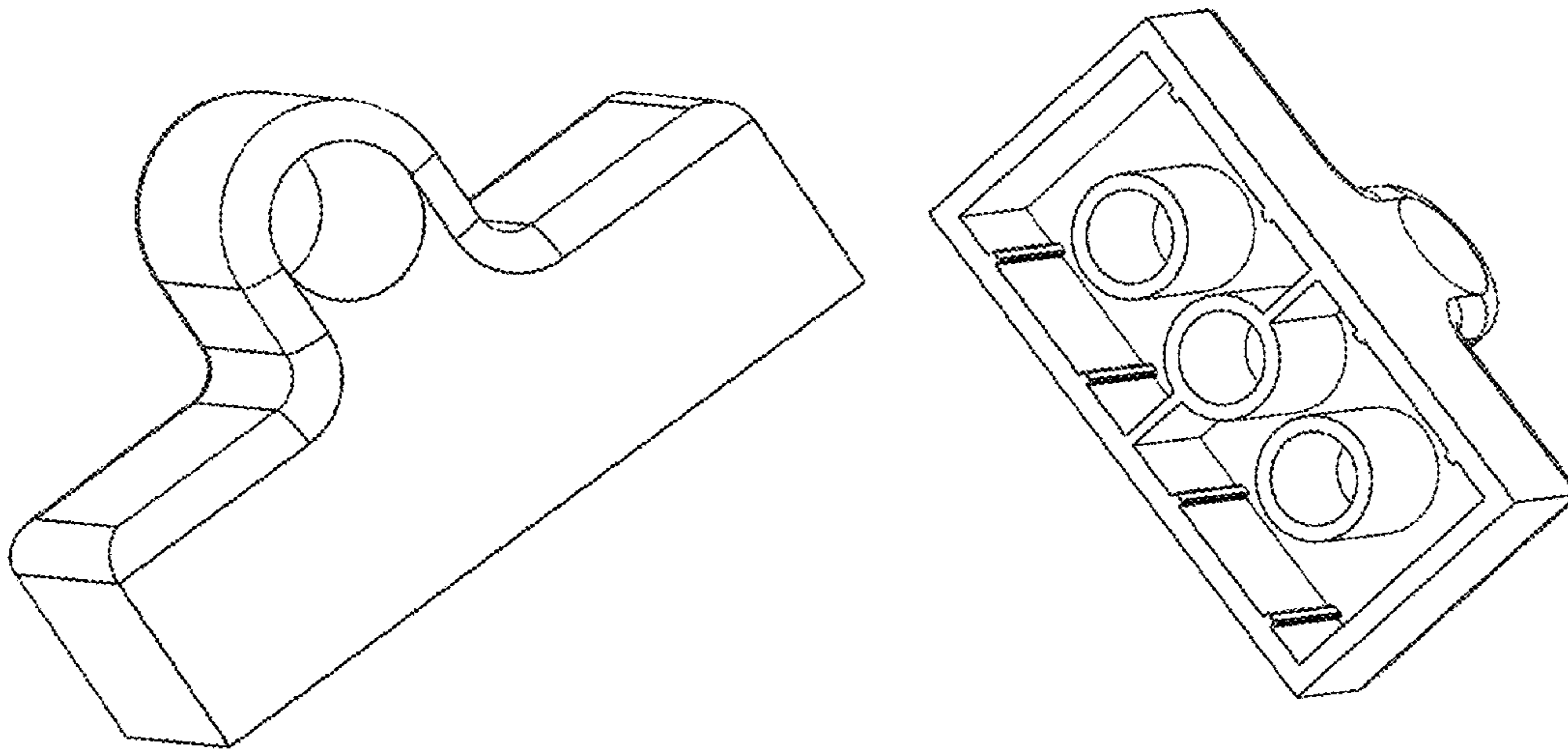
(57) **CLAIM**

The ornamental design for a toy construction set component, as shown and described.

DESCRIPTION

FIG. 1 is top perspective view of the toy construction set component of my ornamental design; FIG. 2 is a bottom perspective view thereof; FIG. 3 is a front elevation view thereof; FIG. 4 is a rear elevation view thereof; FIG. 5 is an enlarged right side view thereof; FIG. 6 is an enlarged left side view thereof; FIG. 7 is a top plan view thereof; and, FIG. 8 is a bottom plan view thereof.

1 Claim, 8 Drawing Sheets



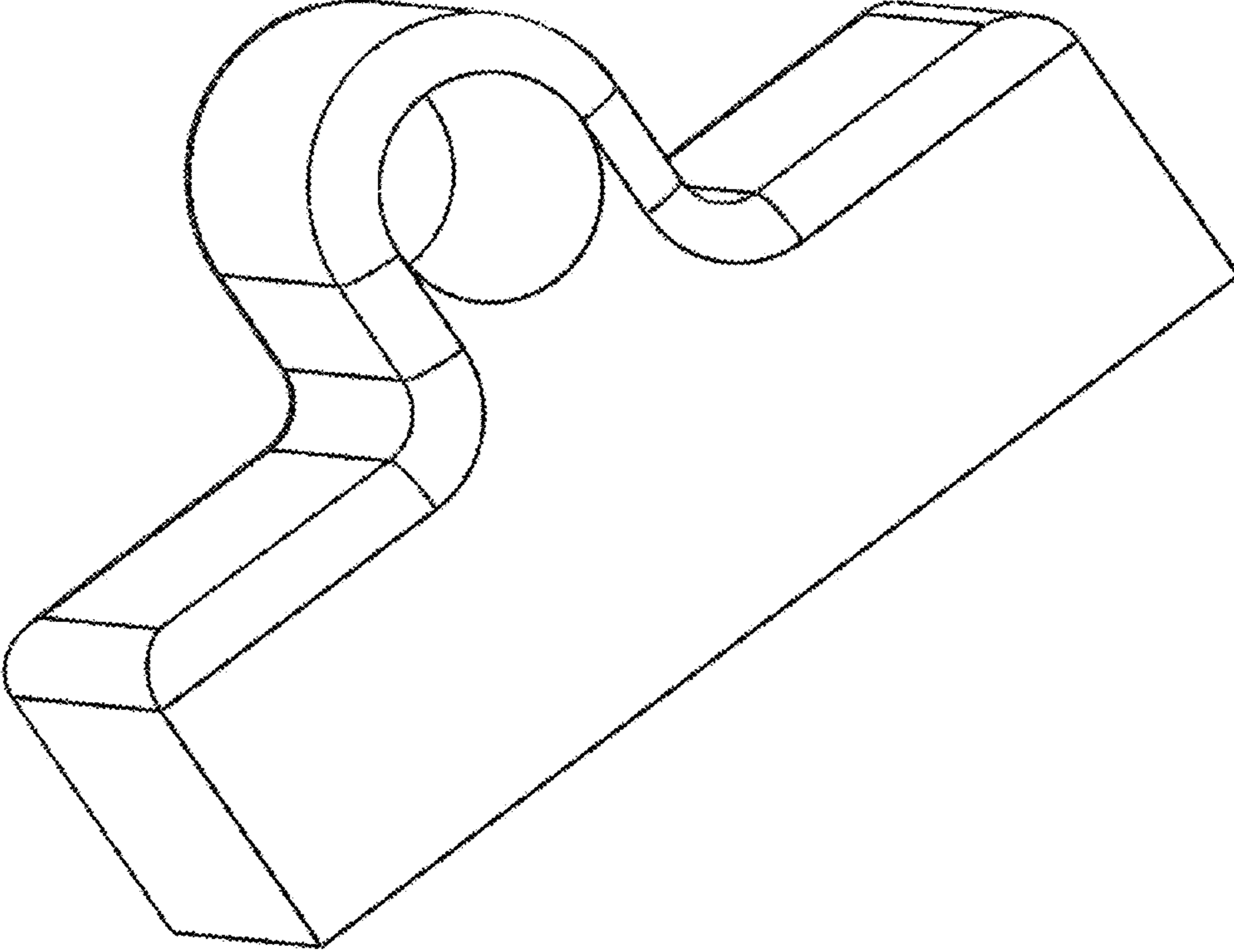


FIG. 1

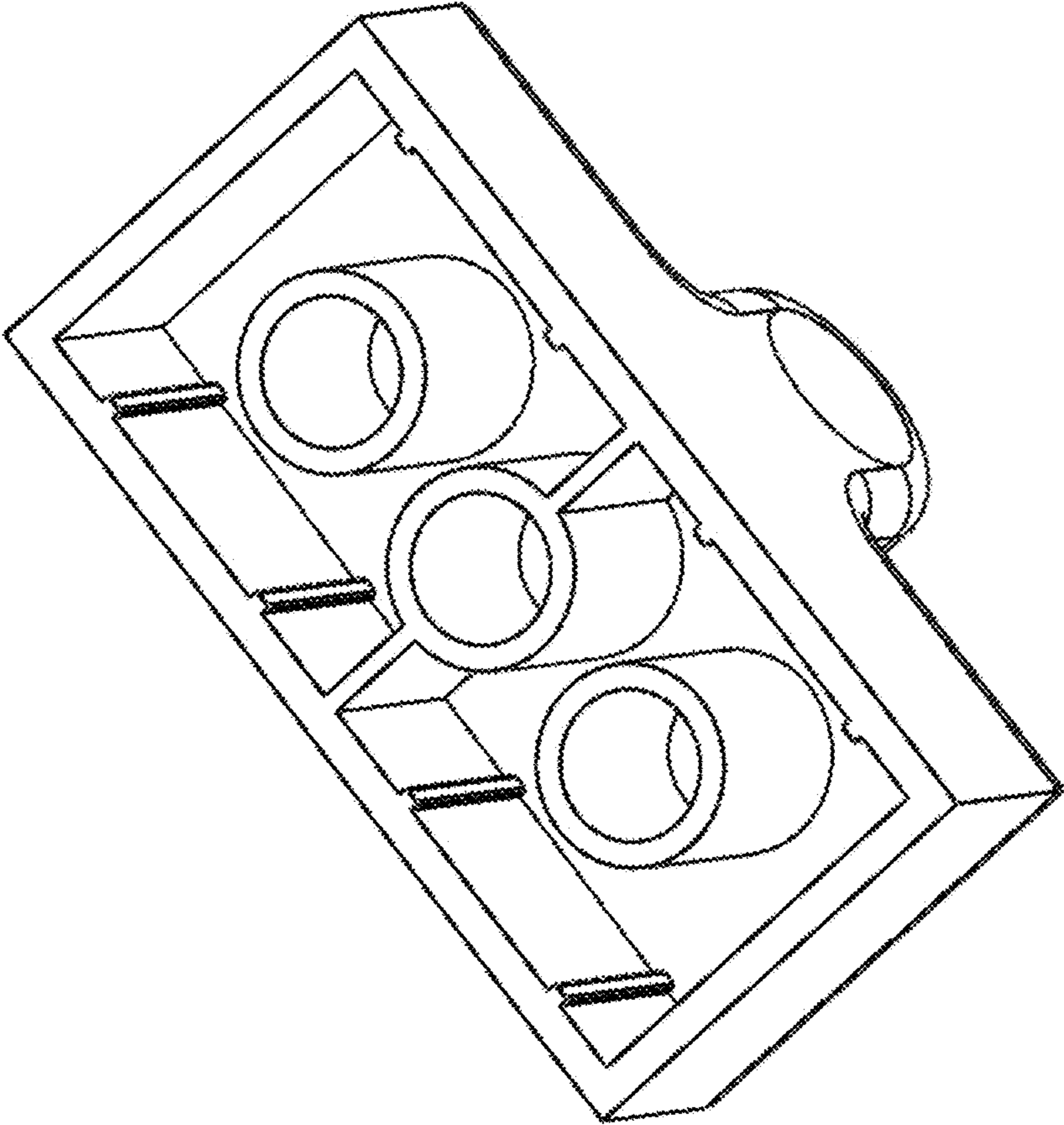


FIG. 2

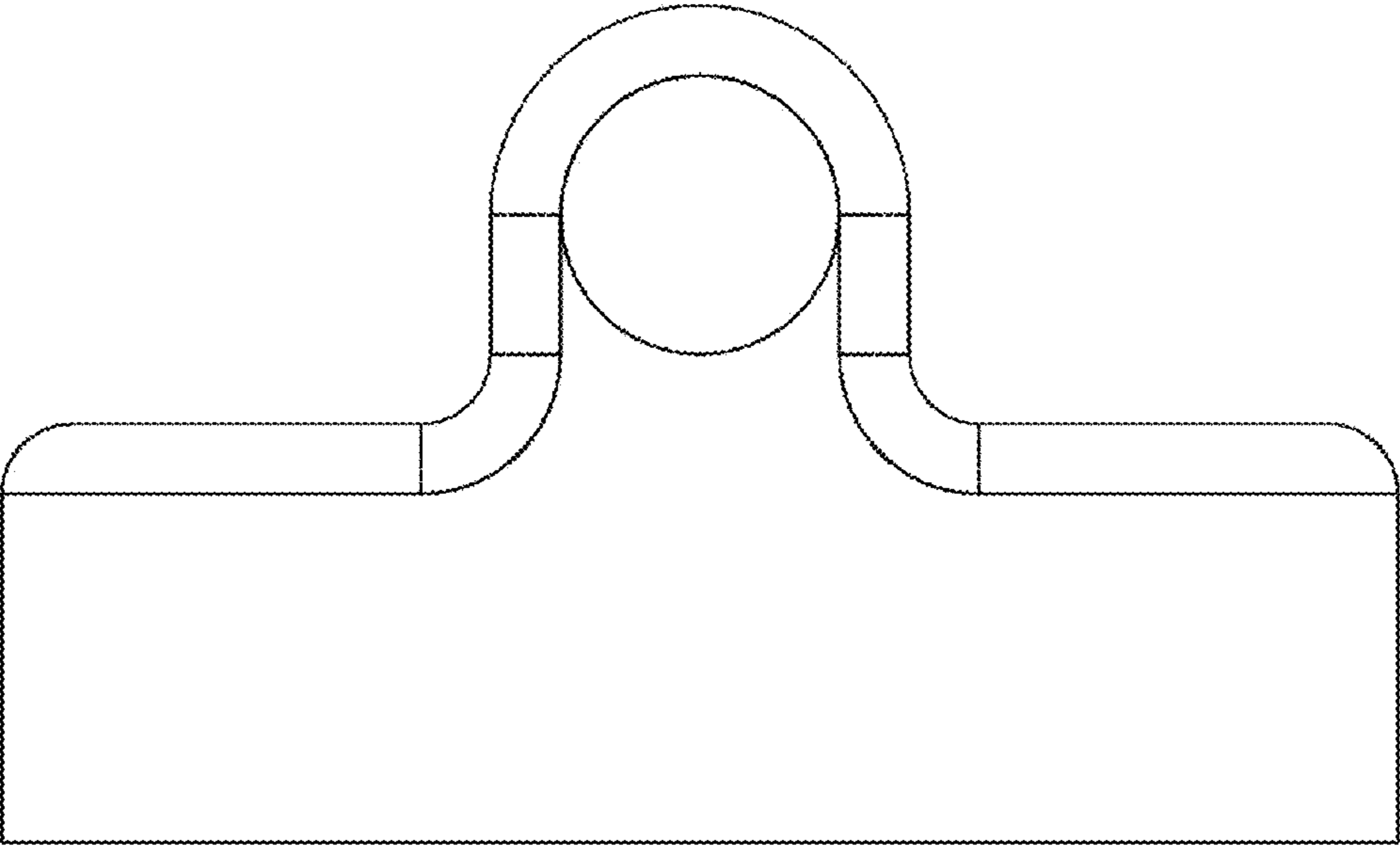


FIG. 3

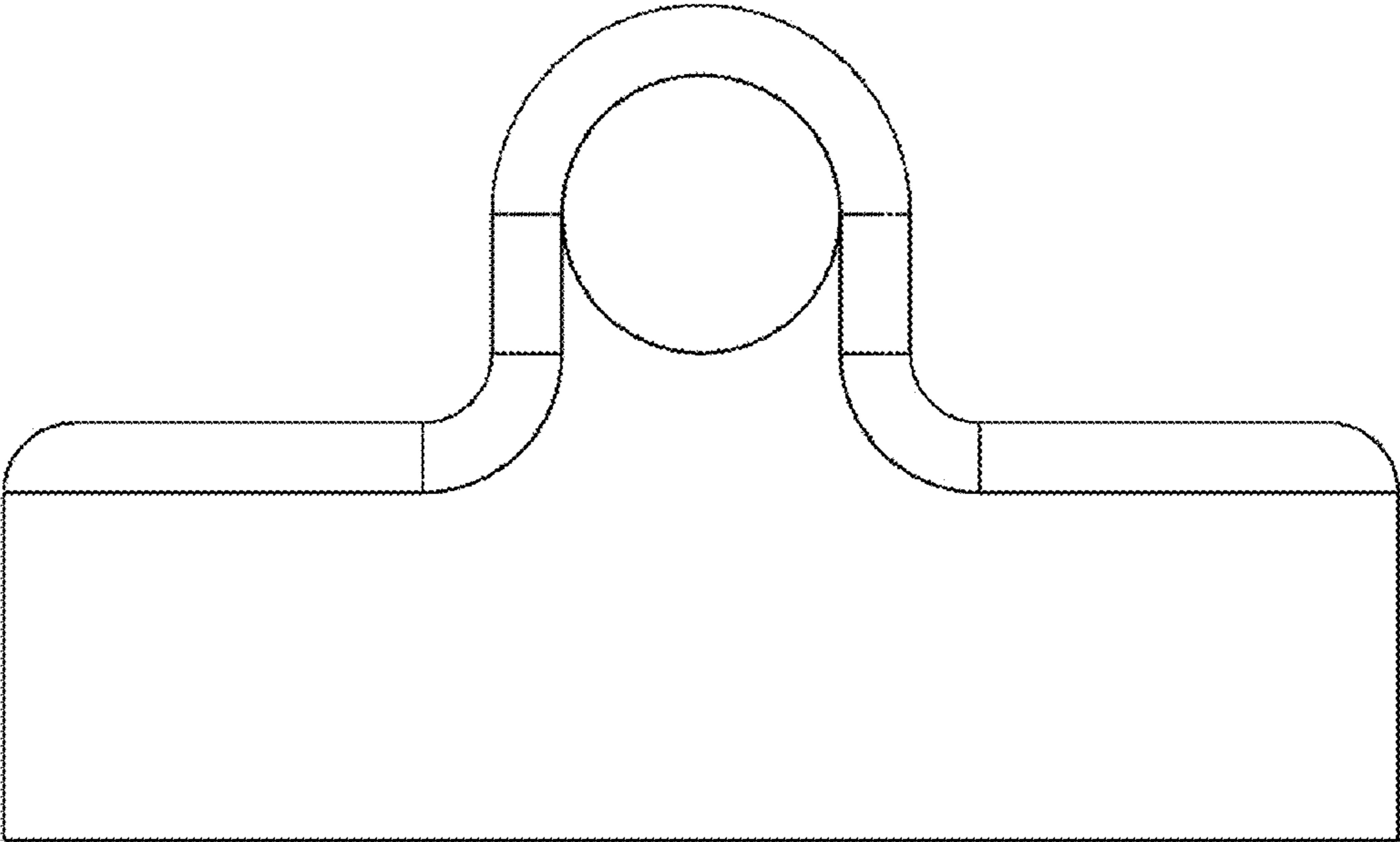


FIG. 4

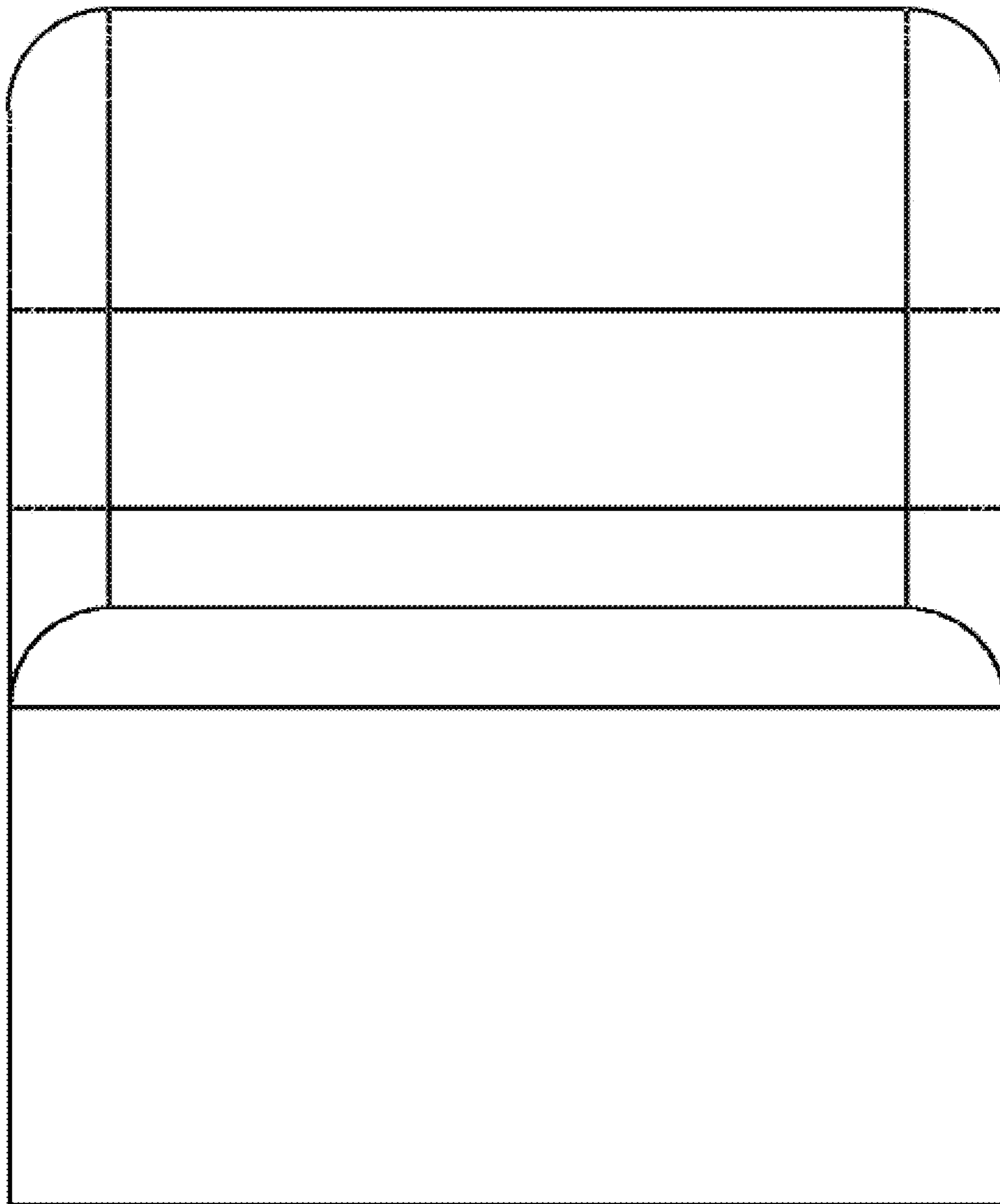


FIG. 5

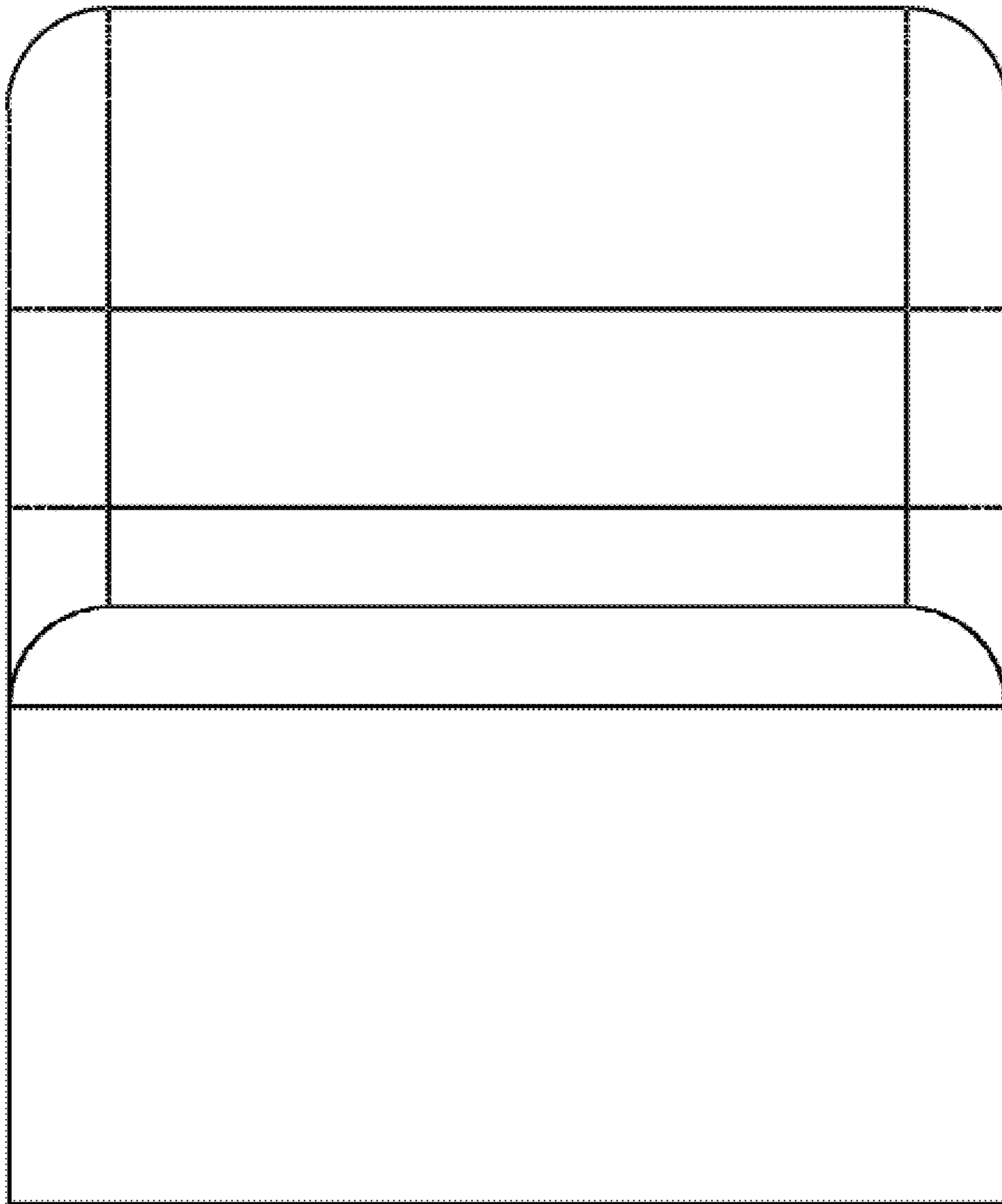


FIG. 6

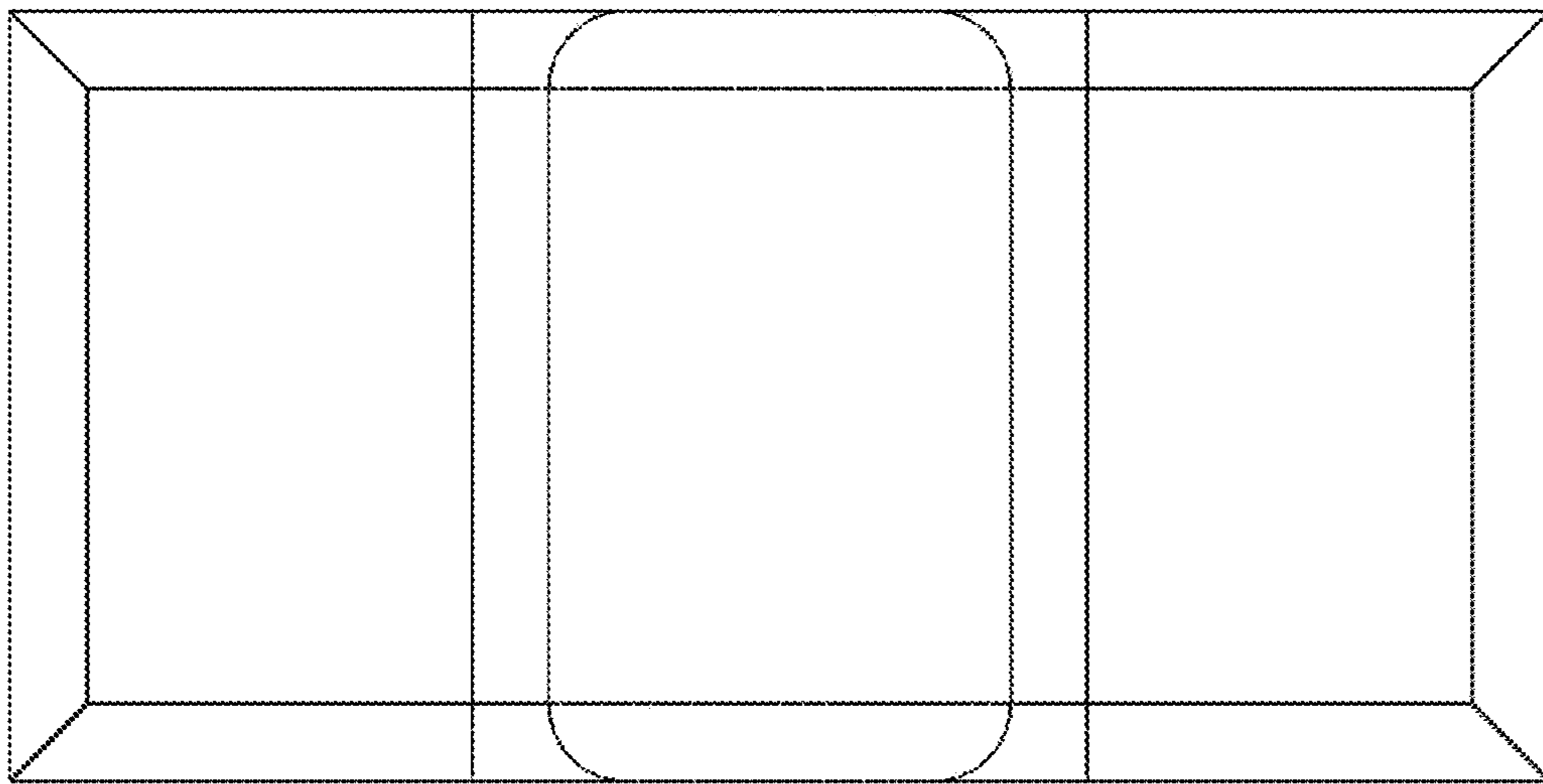


FIG. 7

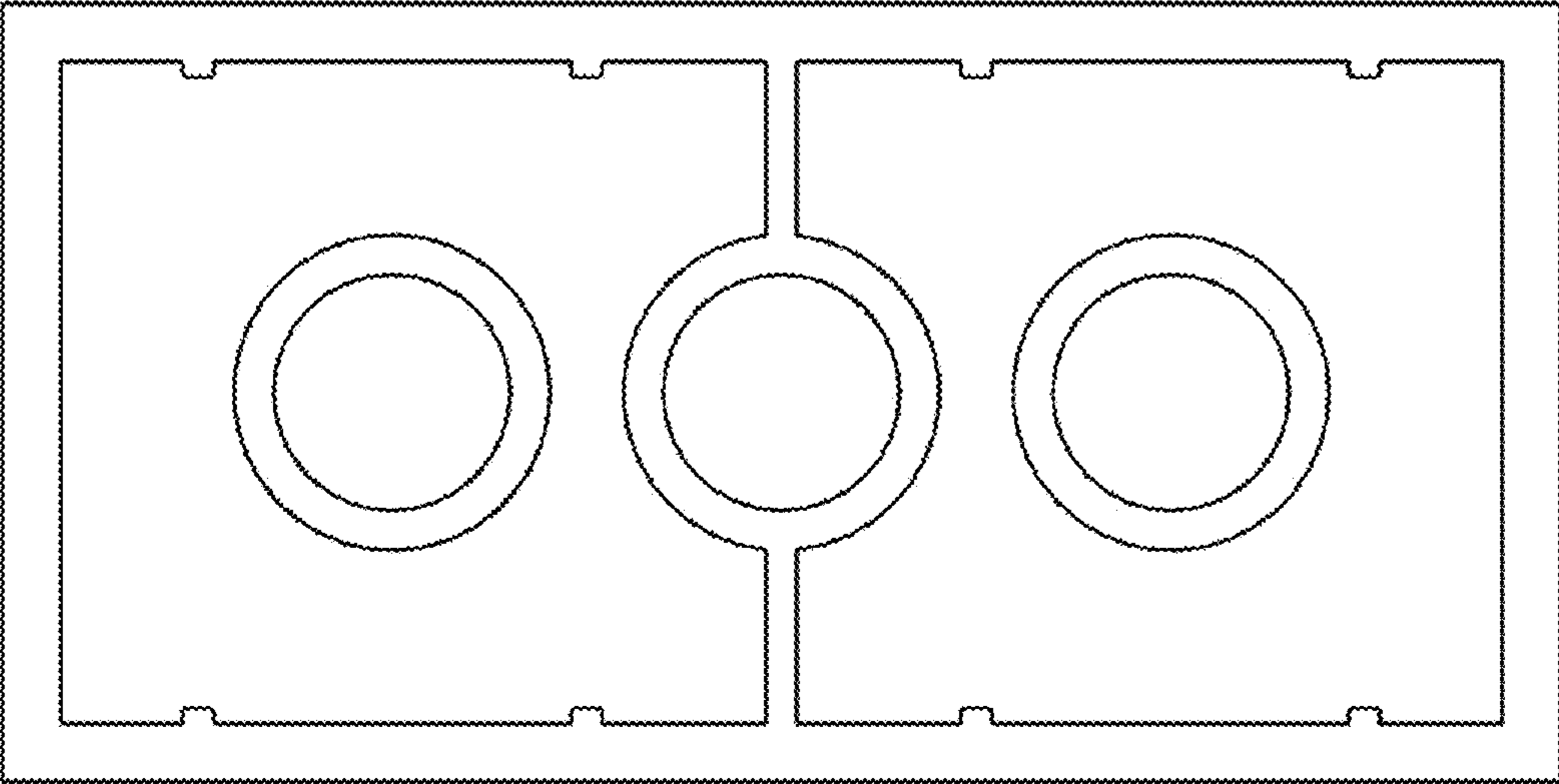


FIG. 8