



US00D723111S

(12) **United States Design Patent**
Schutt

(10) **Patent No.:** **US D723,111 S**

(45) **Date of Patent:** **** Feb. 24, 2015**

(54) **TOY CONSTRUCTION SET COMPONENT**

(71) Applicant: **Gerald Schutt**, Whitehouse, OH (US)

(72) Inventor: **Gerald Schutt**, Whitehouse, OH (US)

(**) Term: **14 Years**

(21) Appl. No.: **29/493,199**

(22) Filed: **Jun. 6, 2014**

(51) **LOC (10) Cl.** **21-01**

(52) **U.S. Cl.**
USPC **D21/484**

(58) **Field of Classification Search**

CPC A63H 33/00; A63H 33/04; A63H 33/06;
A63H 33/08; A63H 33/10; A63H 33/12;
A63H 33/14; A63F 9/08; A63F 9/12; G09B
1/36
USPC D21/478, 479, 484, 485-505; 446/69,
446/85, 102-128; 434/208, 259, 403;
273/153, 156, 160; 428/174

See application file for complete search history.

(56) **References Cited**

U.S. PATENT DOCUMENTS

597,519	A	*	1/1898	De Souchet	446/124
D352,751	S	*	11/1994	Hatting	D21/491
D359,085	S	*	6/1995	Gierahn et al.	D21/493
D375,331	S	*	11/1996	Pagel	D21/489
D380,791	S	*	7/1997	Gabriel	D21/491

* cited by examiner

Primary Examiner — Cynthia M Chin

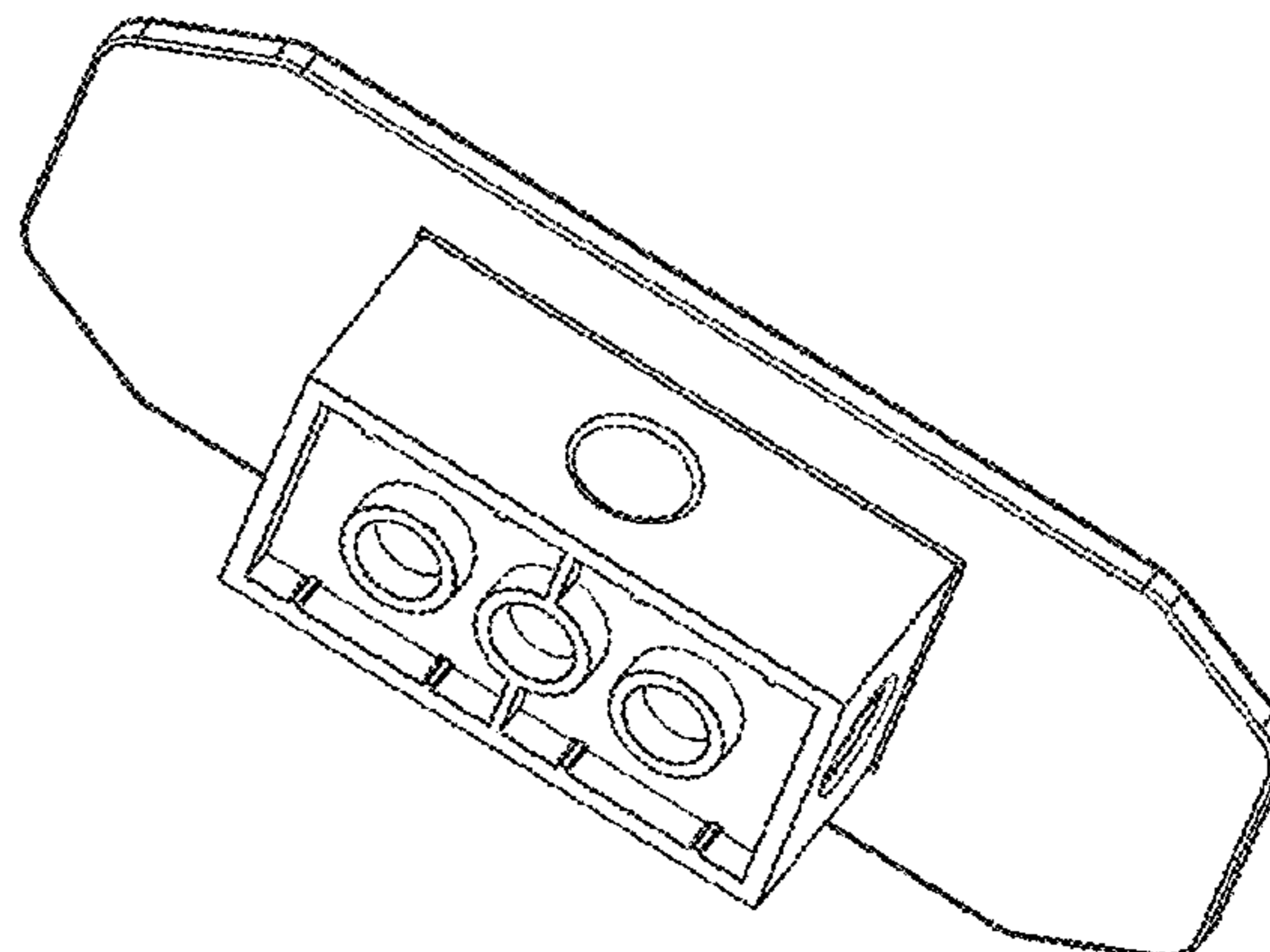
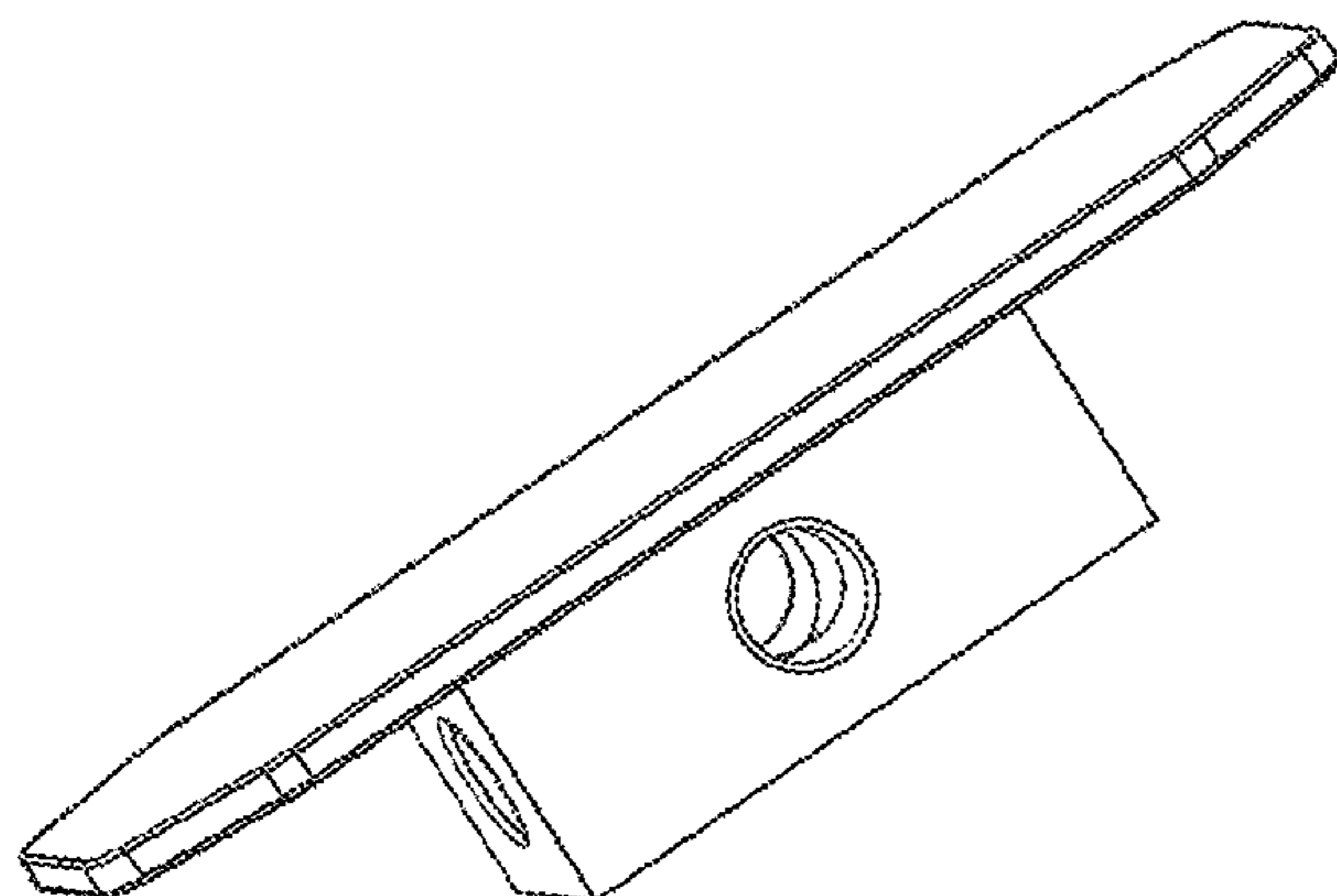
(57) **CLAIM**

The ornamental design for a toy construction set component, as shown and described.

DESCRIPTION

FIG. 1 is top perspective view of the toy construction set component of my ornamental design;
FIG. 2 is a bottom perspective view thereof;
FIG. 3 is a front elevation view thereof;
FIG. 4 is a rear elevation view thereof;
FIG. 5 is an enlarged right side view thereof;
FIG. 6 is an enlarged left side view thereof;
FIG. 7 is a top plan view thereof; and,
FIG. 8 is a bottom plan view thereof.

1 Claim, 8 Drawing Sheets



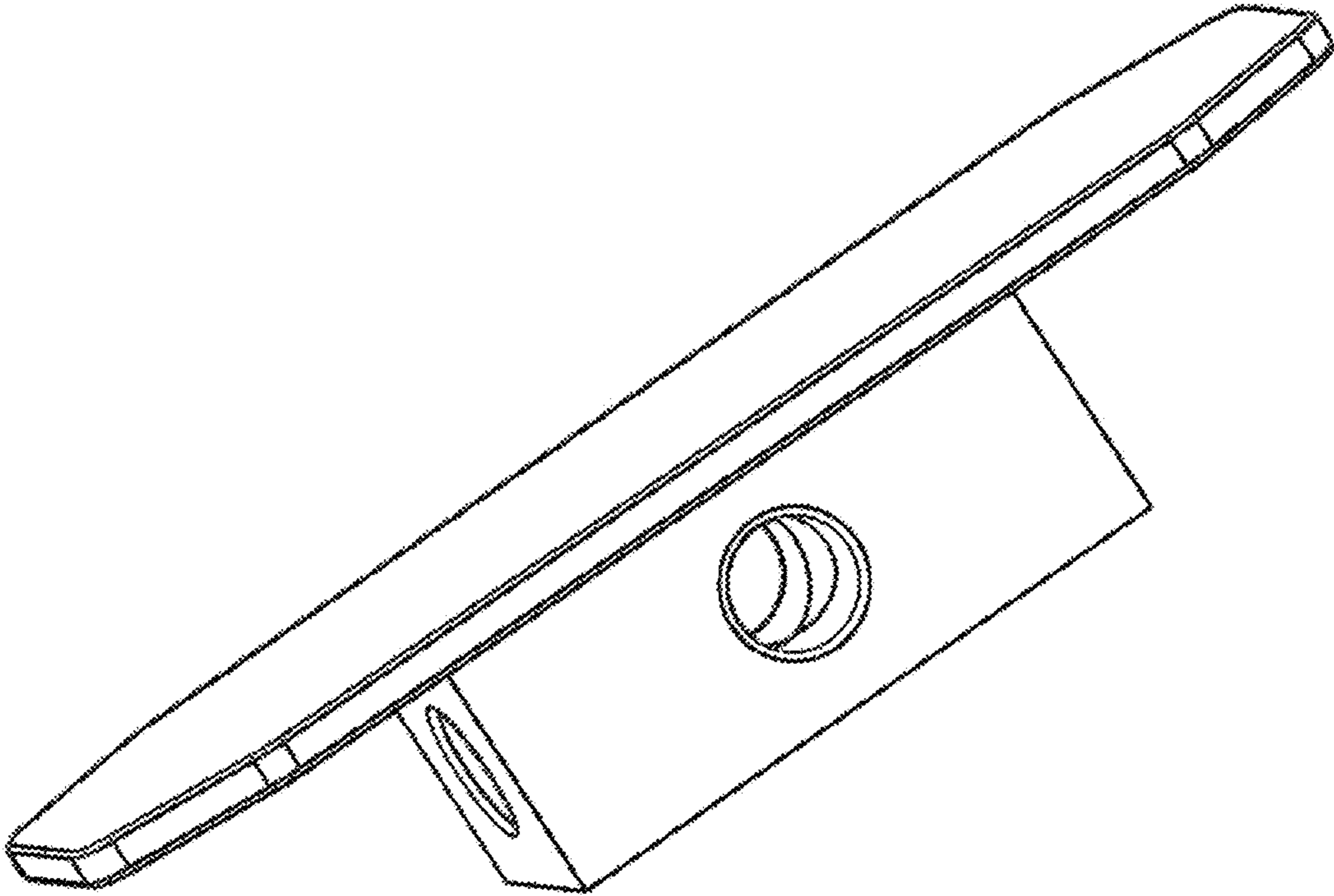


FIG. 1

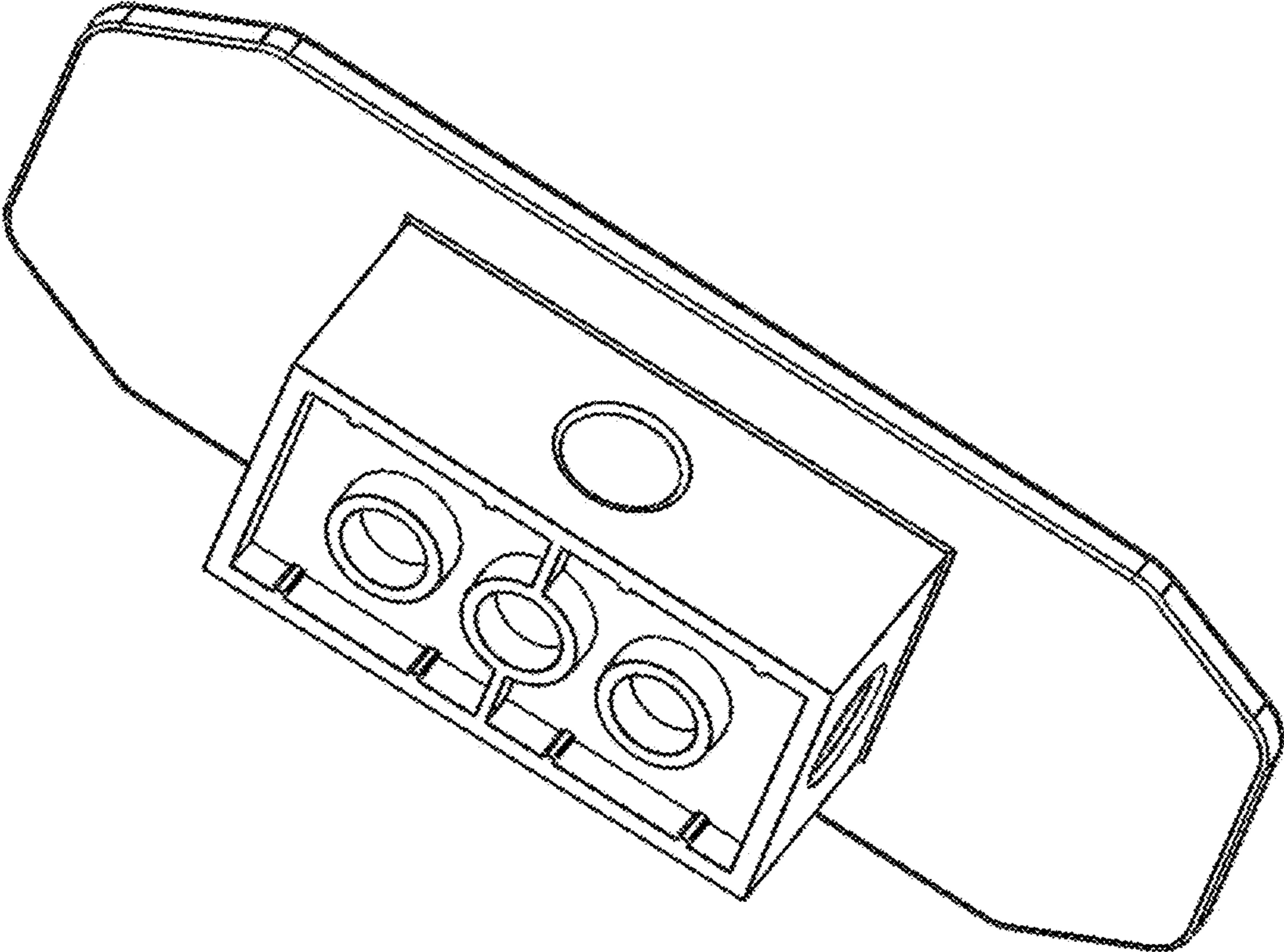


FIG. 2

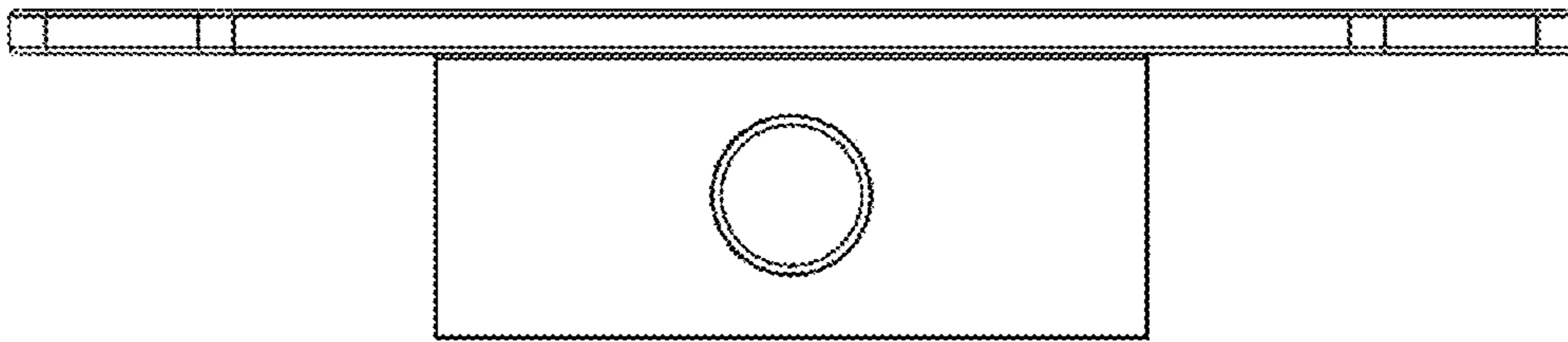


FIG. 3

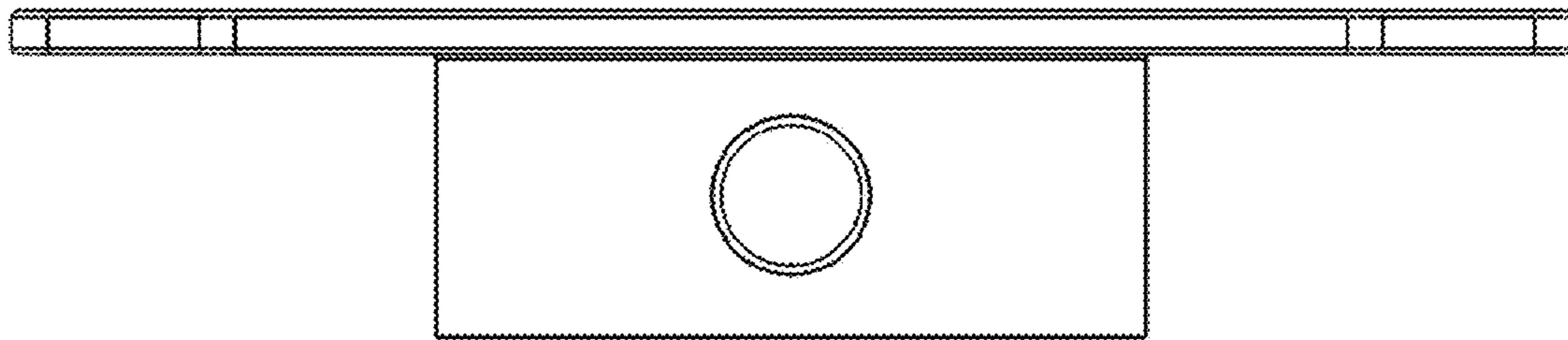


FIG. 4

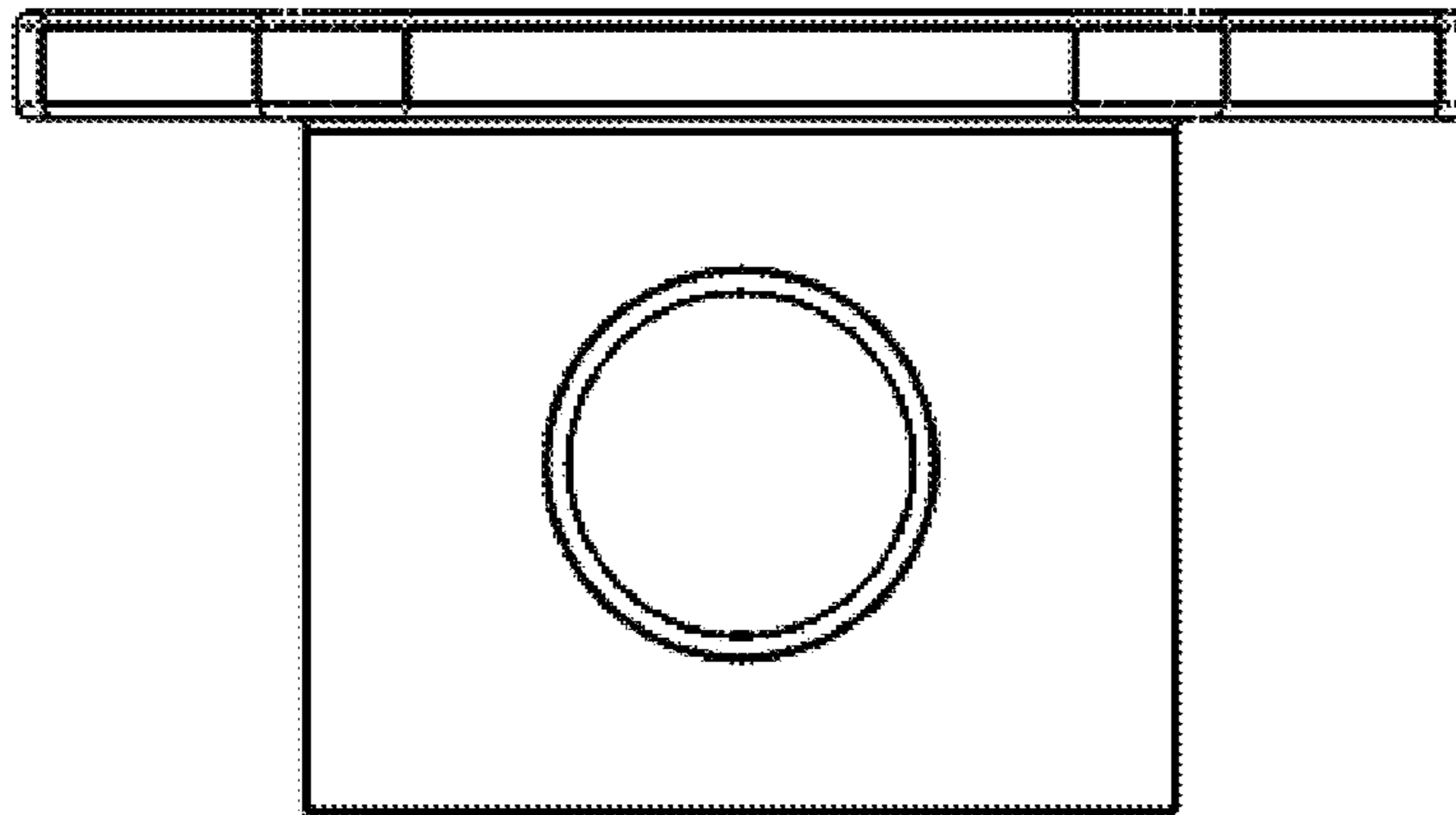


FIG. 5

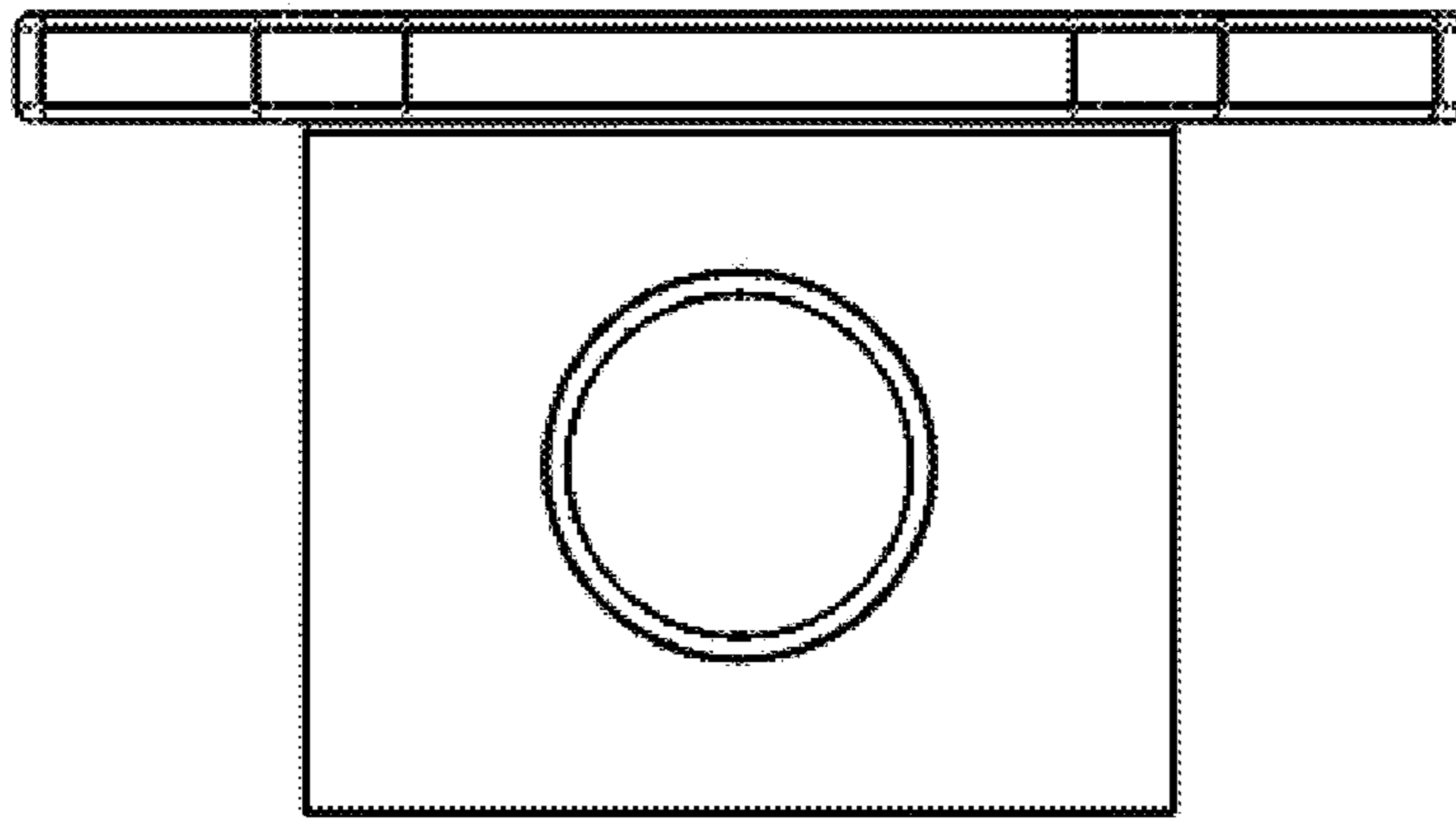


FIG. 6



FIG. 7

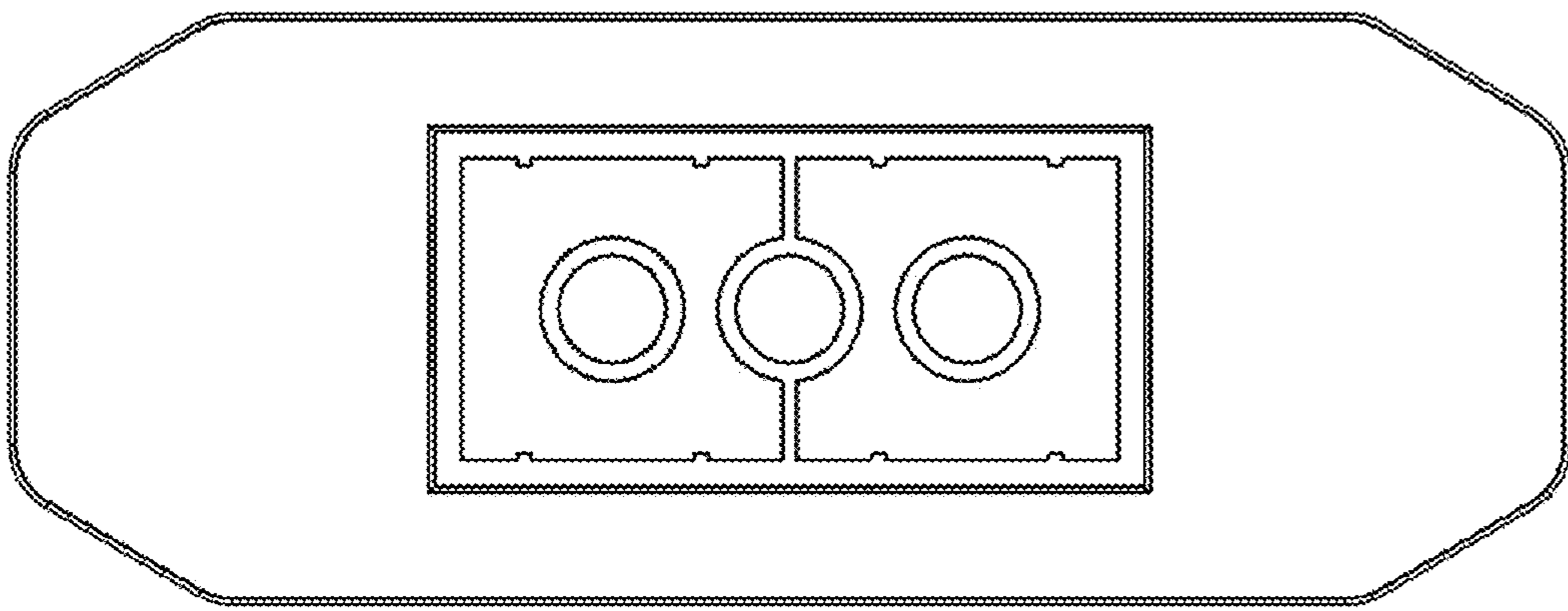


FIG. 8