



US00D723110S

(12) **United States Design Patent**  
**Schutt**

(10) **Patent No.:** **US D723,110 S**

(45) **Date of Patent:** **\*\* Feb. 24, 2015**

(54) **TOY CONSTRUCTION SET COMPONENT**

(71) Applicant: **Gerald Scott Schutt**, Whitehouse, OH  
(US)

(72) Inventor: **Gerald Scott Schutt**, Whitehouse, OH  
(US)

(\*\*) Term: **14 Years**

(21) Appl. No.: **29/492,908**

(22) Filed: **Jun. 4, 2014**

(51) **LOC (10) Cl.** ..... **21-01**

(52) **U.S. Cl.**  
USPC ..... **D21/484**; D21/489

(58) **Field of Classification Search**  
CPC ..... A63H 33/00; A63H 33/04; A63H 33/06;  
A63H 33/08; A63H 33/10; A63H 33/12;  
A63H 33/14; A63F 9/08; A63F 9/12; G09B  
1/36  
USPC ..... D21/478, 479, 484, 485-505; 446/69,  
446/85, 102-128; 434/208, 259, 403;  
273/153, 156, 160; 428/174

See application file for complete search history.

(56) **References Cited**

U.S. PATENT DOCUMENTS

2,119,921 A *	6/1938	Levy .....	446/116
4,270,303 A *	6/1981	Xanthopoulos et al. ....	446/115
D326,877 S *	6/1992	Andersen .....	D21/503
D380,020 S *	6/1997	Nielsen .....	D21/489
D553,200 S *	10/2007	Glickman et al. ....	D21/485
D672,402 S *	12/2012	Macadam .....	D21/491
D672,405 S *	12/2012	MacAdam .....	D21/503
D688,753 S *	8/2013	Holm .....	D21/484

\* cited by examiner

*Primary Examiner* — Cynthia M Chin

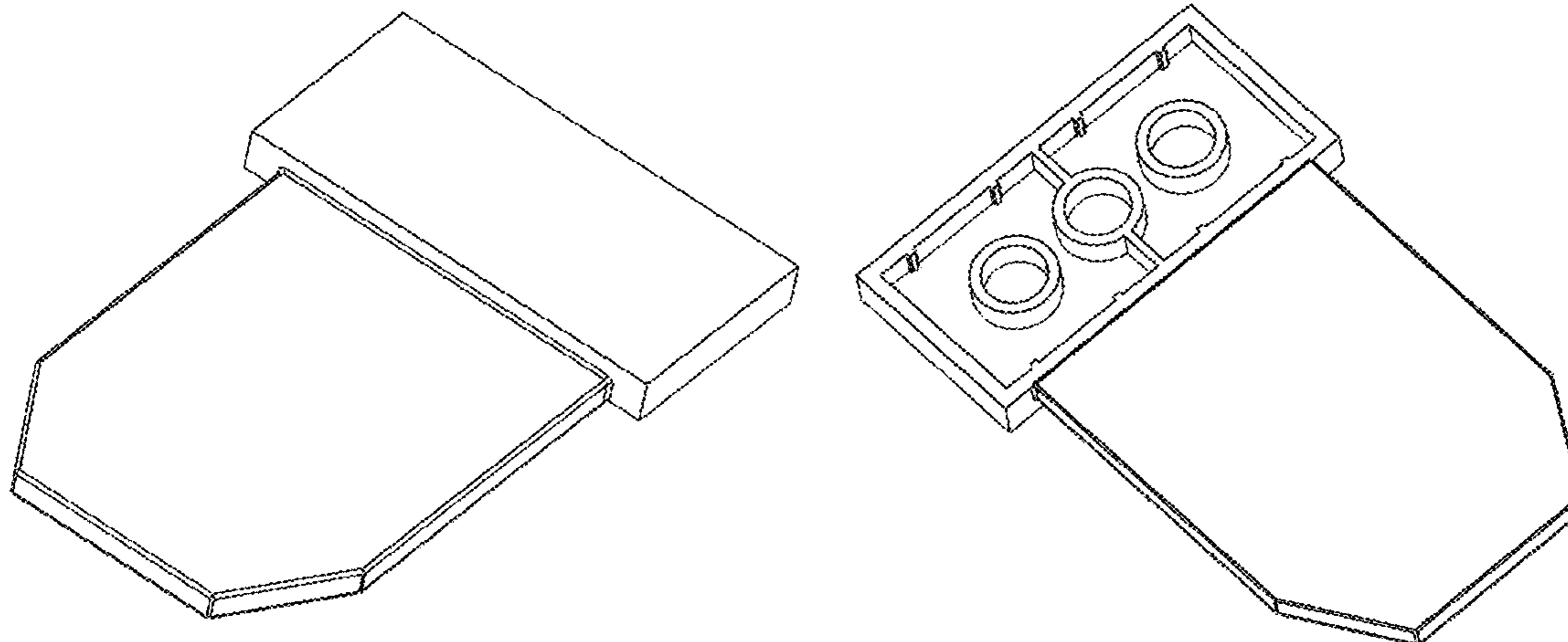
(57) **CLAIM**

The ornamental design for a toy construction set component, as shown.

**DESCRIPTION**

FIG. 1 is top perspective view of the toy construction set component of my ornamental design; FIG. 2 is a bottom perspective view thereof; FIG. 3 is a front elevation view thereof; FIG. 4 is a rear elevation view thereof; FIG. 5 is a right side view thereof; FIG. 6 is a left side view thereof; FIG. 7 is a top plan view thereof; and, FIG. 8 is a bottom plan view thereof.

**1 Claim, 8 Drawing Sheets**



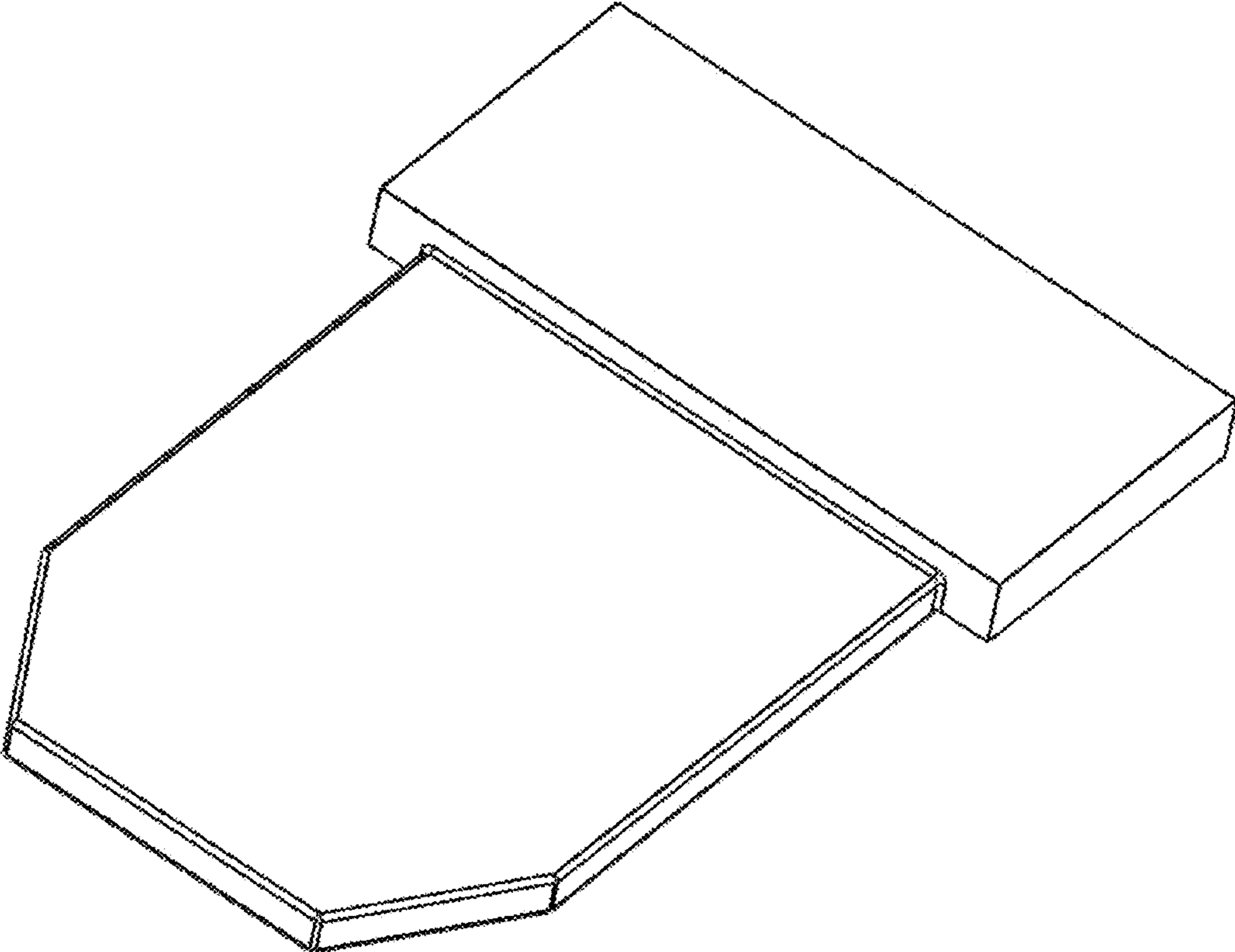


FIG. 1

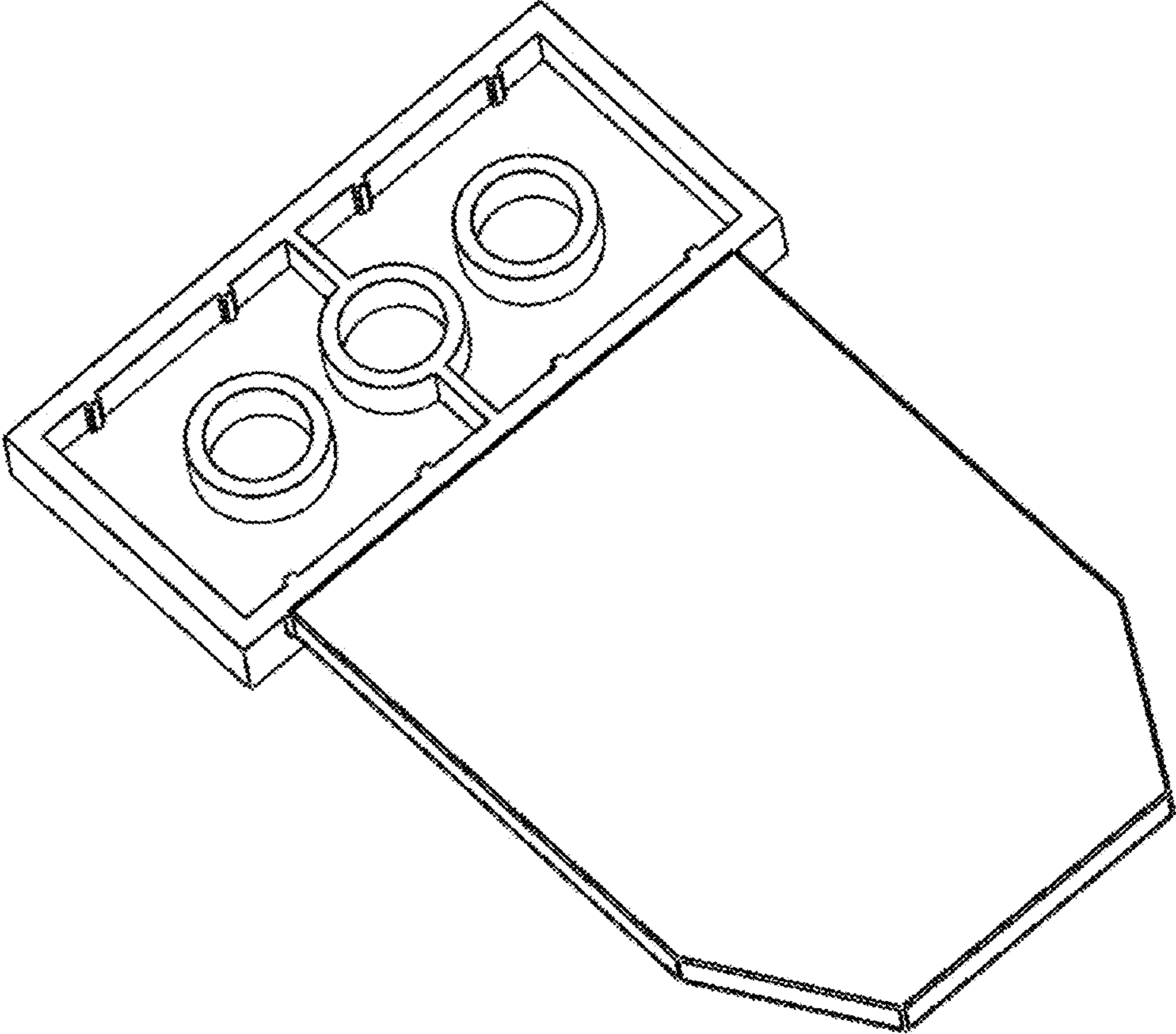


FIG. 2

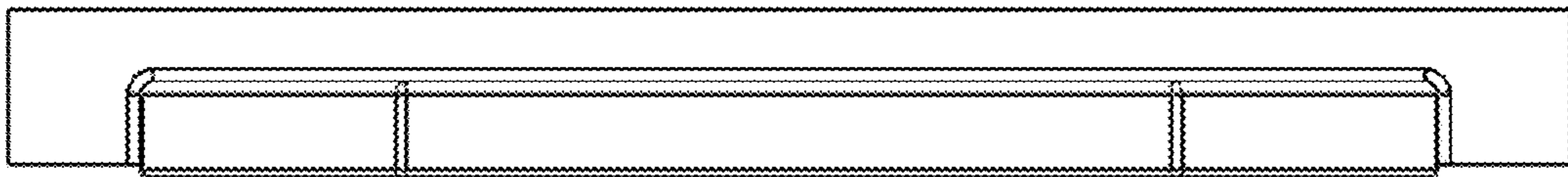


FIG. 3



**FIG. 4**

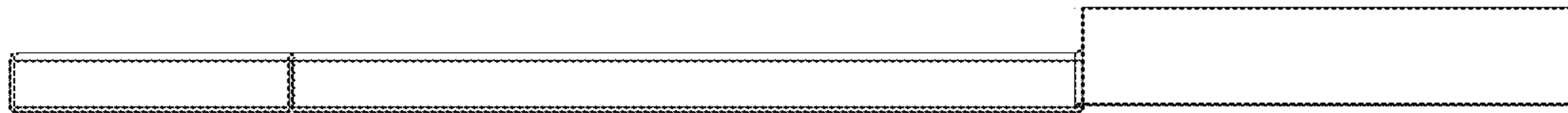


FIG. 5

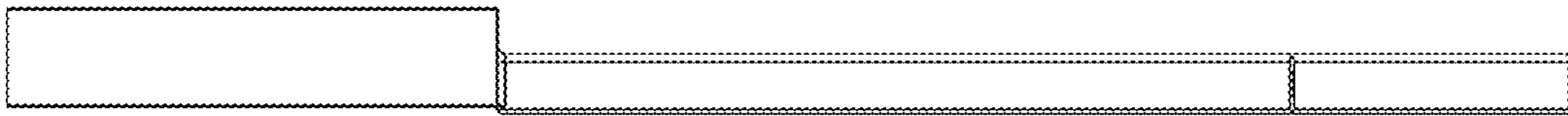


FIG. 6

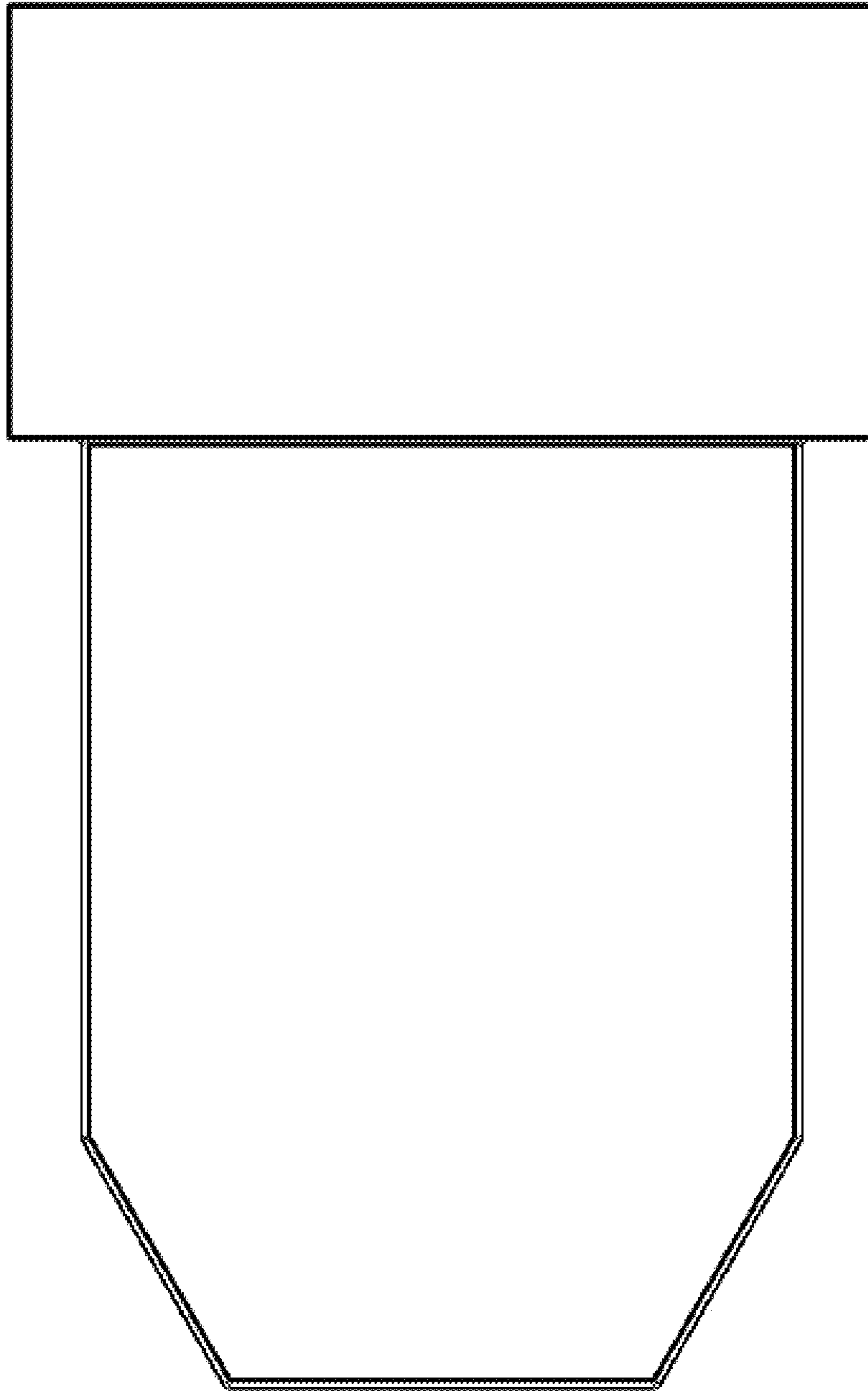


FIG. 7



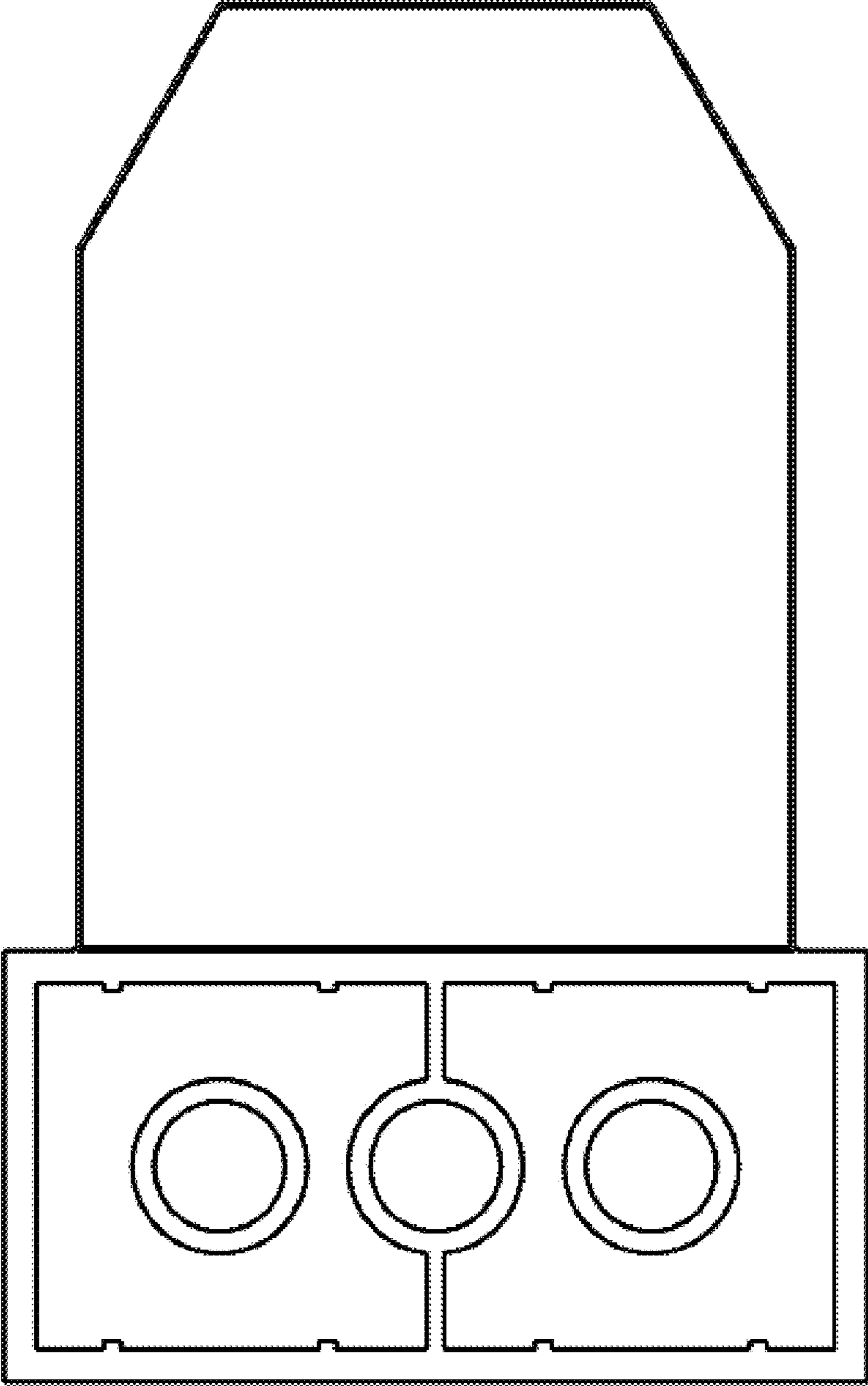


FIG. 8