



US00D723109S

(12) **United States Design Patent**  
**Schutt**

(10) **Patent No.:** **US D723,109 S**

(45) **Date of Patent:** **\*\* Feb. 24, 2015**

(54) **TOY CONSTRUCTION SET COMPONENT**

(56) **References Cited**

(71) Applicant: **Gerald Scott Schutt**, Whitehouse, OH  
(US)

U.S. PATENT DOCUMENTS

(72) Inventor: **Gerald Scott Schutt**, Whitehouse, OH  
(US)

2,119,921	A *	6/1938	Levy .....	446/116
4,270,303	A *	6/1981	Xanthopoulos et al. ....	446/115
4,685,892	A *	8/1987	Gould et al. ....	446/109
D335,508	S *	5/1993	Skov .....	D21/489
D380,020	S *	6/1997	Nielsen .....	D21/489
D380,790	S *	7/1997	Gabriel .....	D21/489
D400,606	S *	11/1998	Glickman et al. ....	D21/484
D406,864	S *	3/1999	Pagel .....	D21/484
D672,402	S *	12/2012	Macadam .....	D21/491
D688,753	S *	8/2013	Holm .....	D21/484

(\*\*) Term: **14 Years**

\* cited by examiner

(21) Appl. No.: **29/492,904**

*Primary Examiner* — Cynthia M Chin

(22) Filed: **Jun. 4, 2014**

(57) **CLAIM**

(51) **LOC (10) Cl.** ..... **21-01**

The ornamental design for a toy construction set component, as shown.

(52) **U.S. Cl.**

USPC ..... **D21/484**; D21/489

**DESCRIPTION**

(58) **Field of Classification Search**

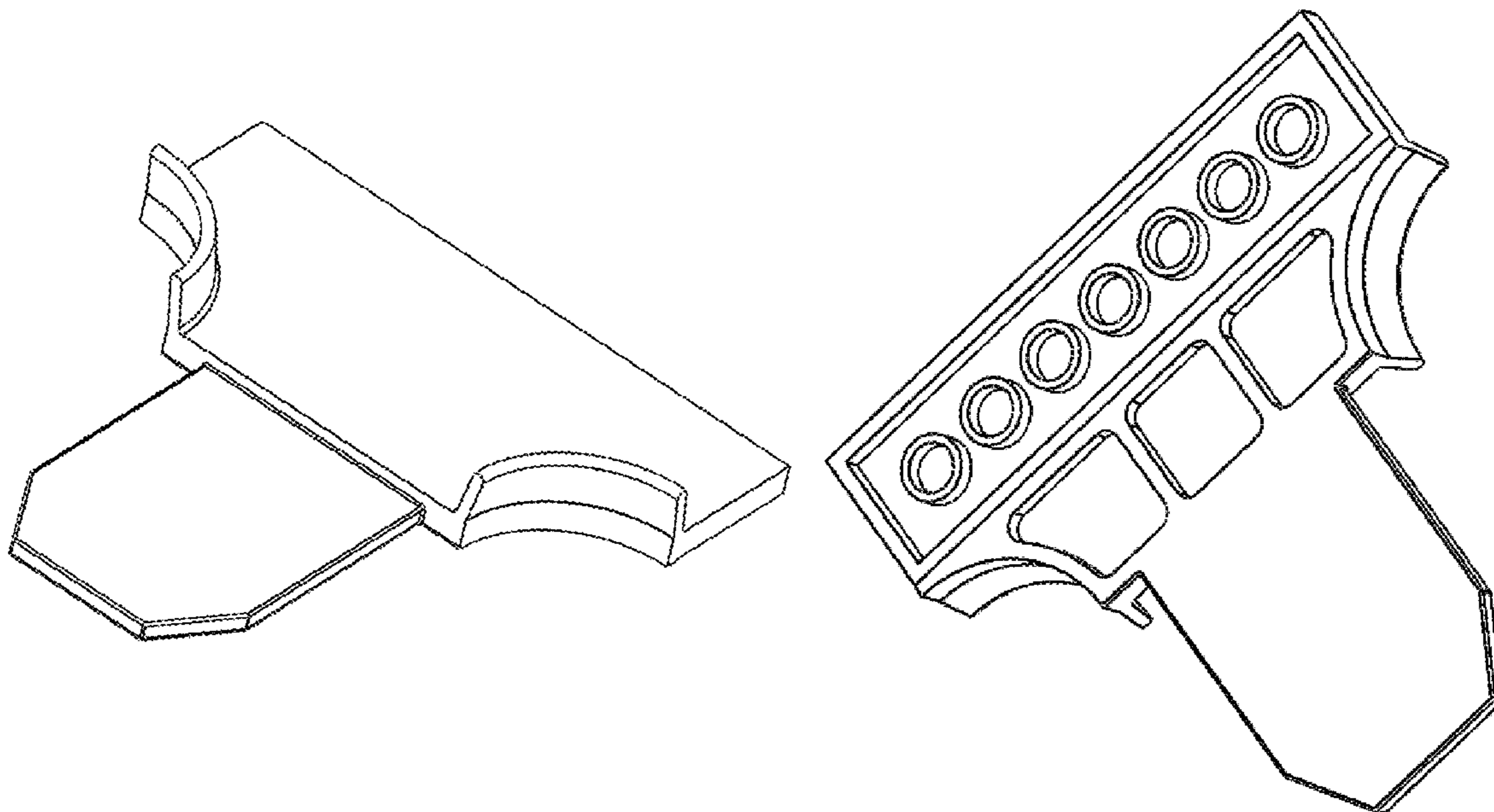
CPC ..... A63H 33/00; A63H 33/04; A63H 33/06;  
A63H 33/08; A63H 33/10; A63H 33/12;  
A63H 33/14; A63F 9/08; A63F 9/12; G09B  
1/36

USPC ..... D21/478, 479, 484, 485-505; 446/69,  
446/85, 102-128; 434/208, 259, 403;  
273/153, 156, 160; 428/174

FIG. 1 is top perspective view of the toy construction set component of my ornamental design; FIG. 2 is a bottom perspective view thereof; FIG. 3 is a front elevation view thereof; FIG. 4 is a rear elevation view thereof; FIG. 5 is a right side view thereof; FIG. 6 is a left side view thereof; FIG. 7 is a top plan view thereof; and, FIG. 8 is a bottom plan view thereof.

See application file for complete search history.

**1 Claim, 8 Drawing Sheets**



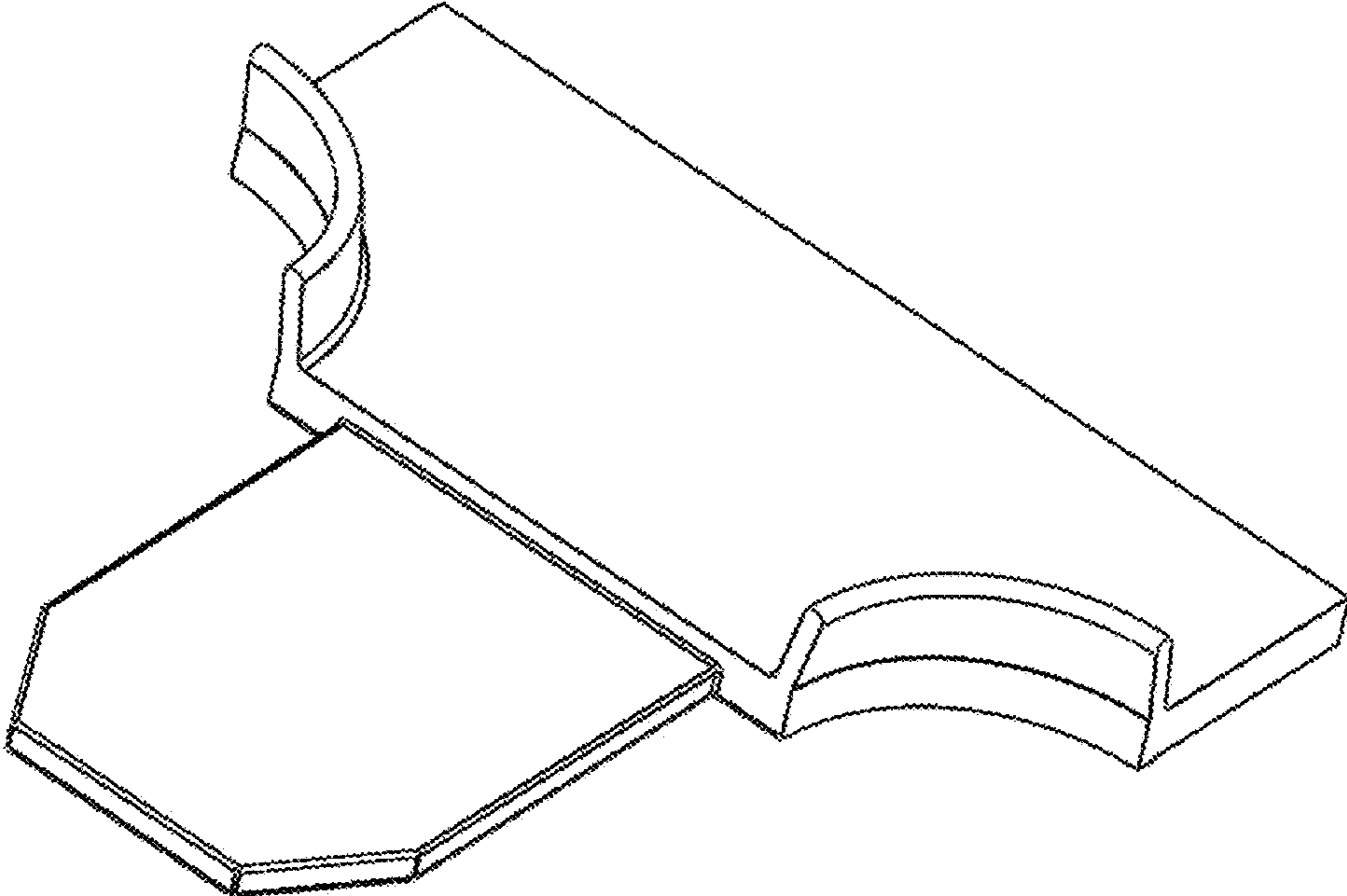


FIG. 1

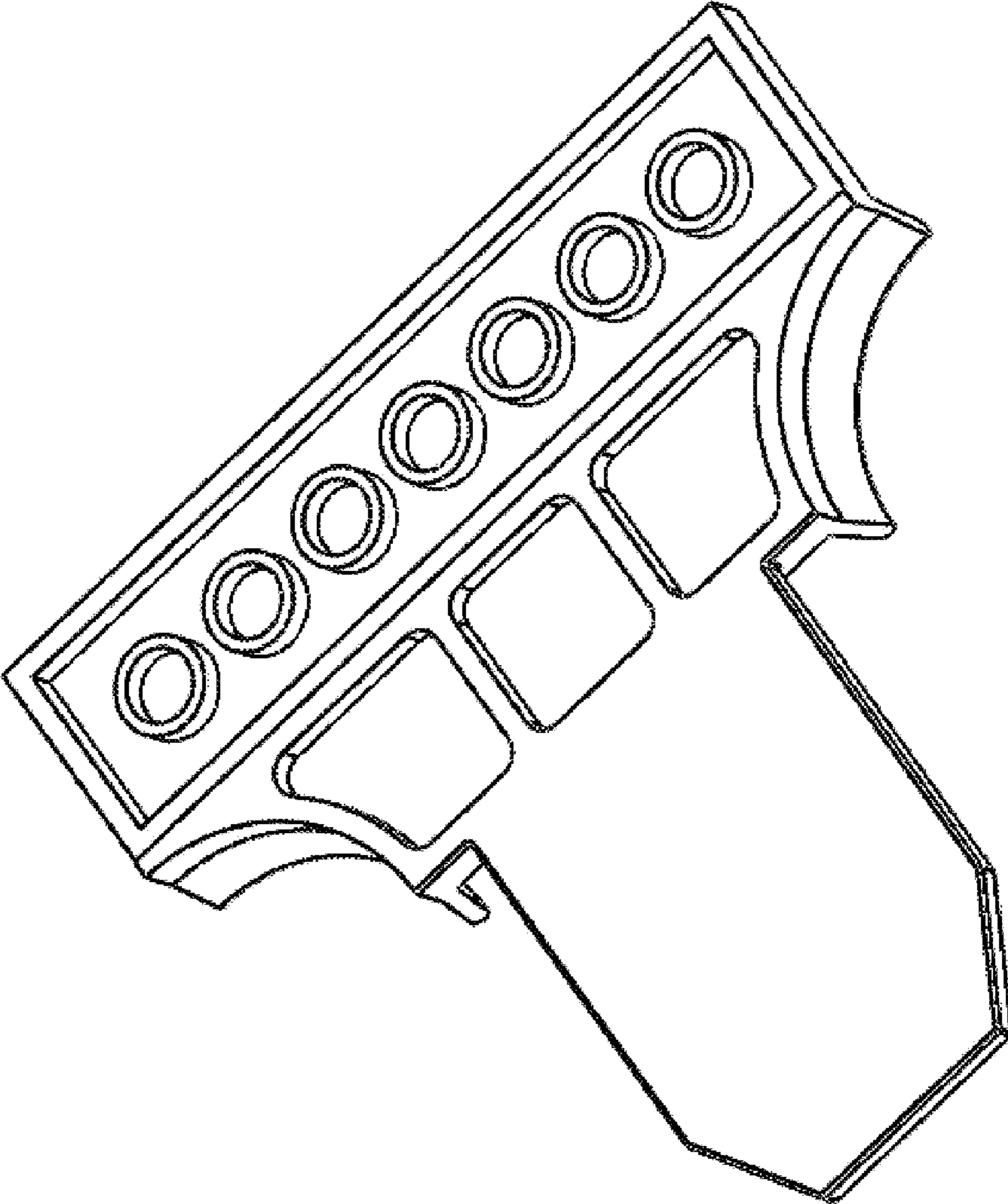


FIG. 2

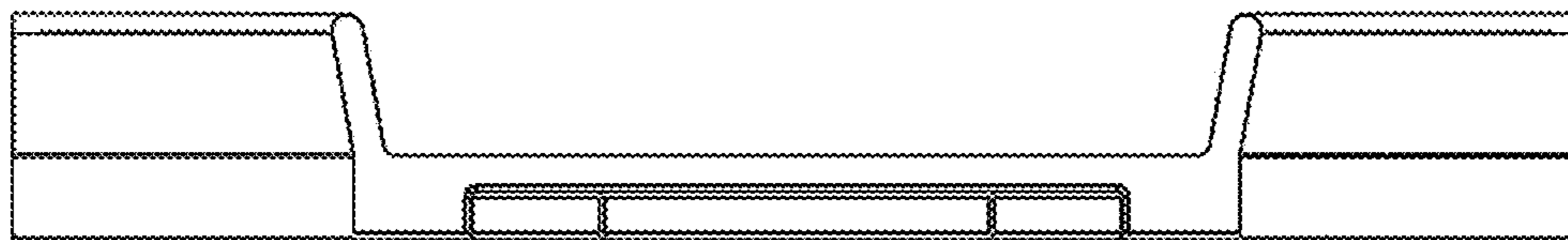


FIG. 3



FIG. 4

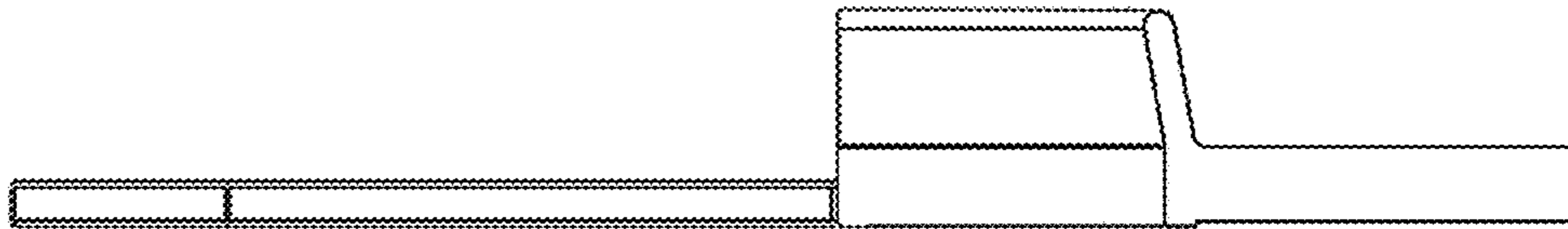


FIG. 5

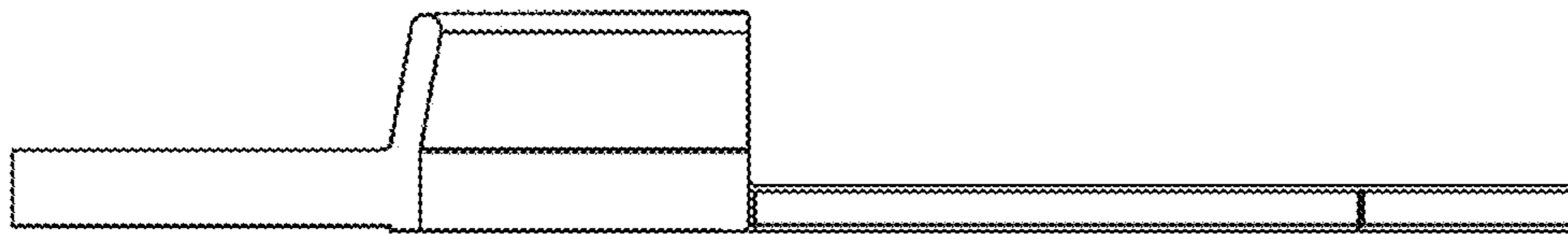


FIG. 6

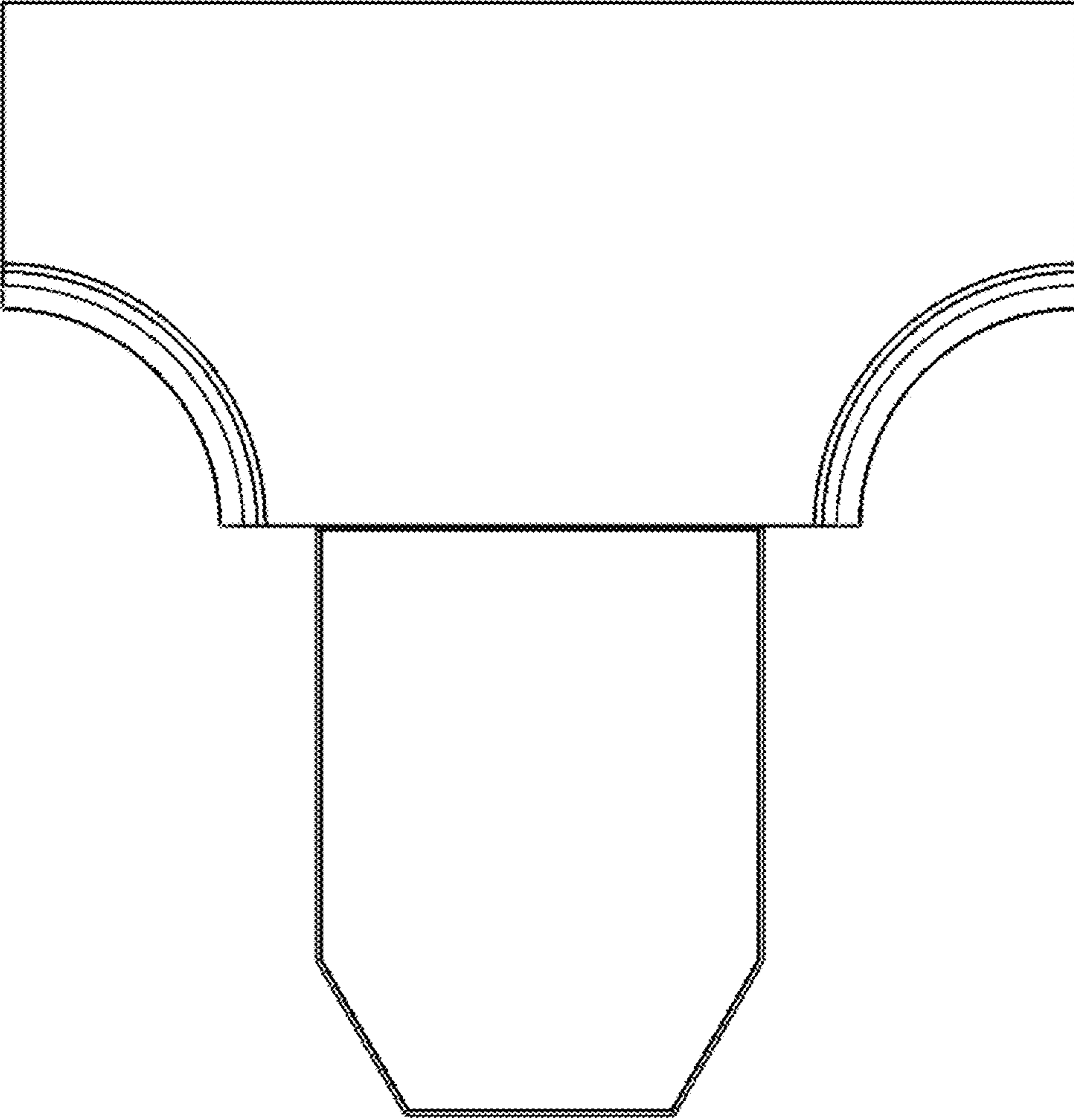


FIG. 7



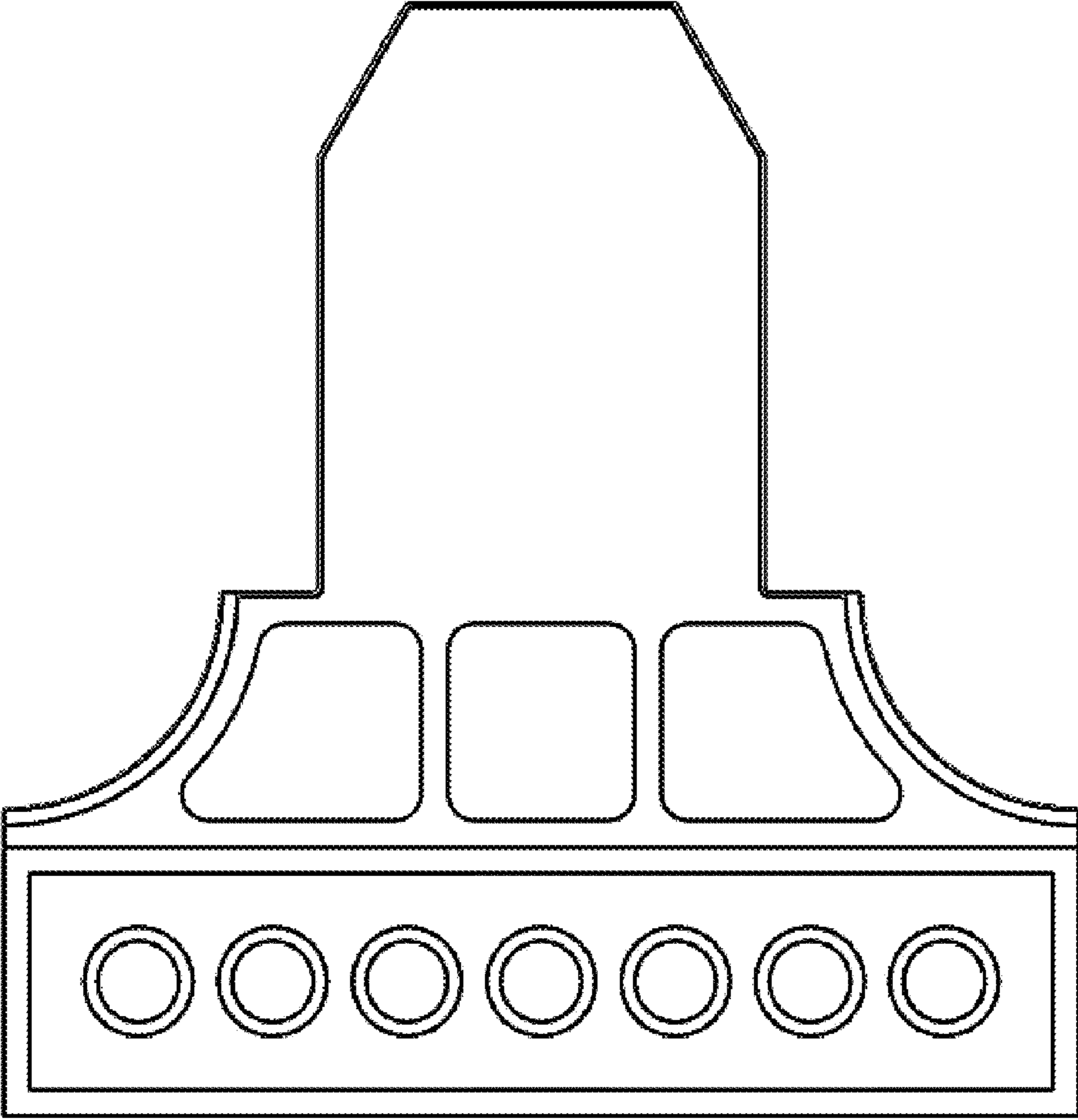


FIG. 8