



US00D723108S

(12) **United States Design Patent**
Schutt

(10) **Patent No.:** **US D723,108 S**

(45) **Date of Patent:** **** Feb. 24, 2015**

(54) **TOY CONSTRUCTION SET COMPONENT**

(71) Applicant: **Gerald Scott Schutt**, Whitehouse, OH (US)

(72) Inventor: **Gerald Scott Schutt**, Whitehouse, OH (US)

(**) Term: **14 Years**

(21) Appl. No.: **29/492,832**

(22) Filed: **Jun. 3, 2014**

(51) **LOC (10) Cl.** **21-01**

(52) **U.S. Cl.**
USPC **D21/484**

(58) **Field of Classification Search**
CPC A63H 33/00; A63H 33/04; A63H 33/06;
A63H 33/08; A63H 33/10; A63H 33/12;
A63H 33/14; A63F 9/08; A63F 9/12; G09B
1/36
USPC D21/478, 479, 484, 485-505; 446/69,
446/85, 102-128; 434/208, 259, 403;
273/153, 156, 160; 428/174
See application file for complete search history.

(56) **References Cited**

U.S. PATENT DOCUMENTS

3,221,439	A *	12/1965	Schaper	446/120
D328,928	S *	8/1992	Jarnros	D21/504
D329,067	S *	9/1992	Skov	D21/484
D344,301	S *	2/1994	Berggreen	D21/484
D369,838	S *	5/1996	Hatting et al.	D21/501
5,827,106	A *	10/1998	Crepeau et al.	446/128
D630,262	S *	1/2011	Hornsby et al.	D21/484
D641,052	S *	7/2011	Christensen	D21/484

* cited by examiner

Primary Examiner — Cynthia M Chin

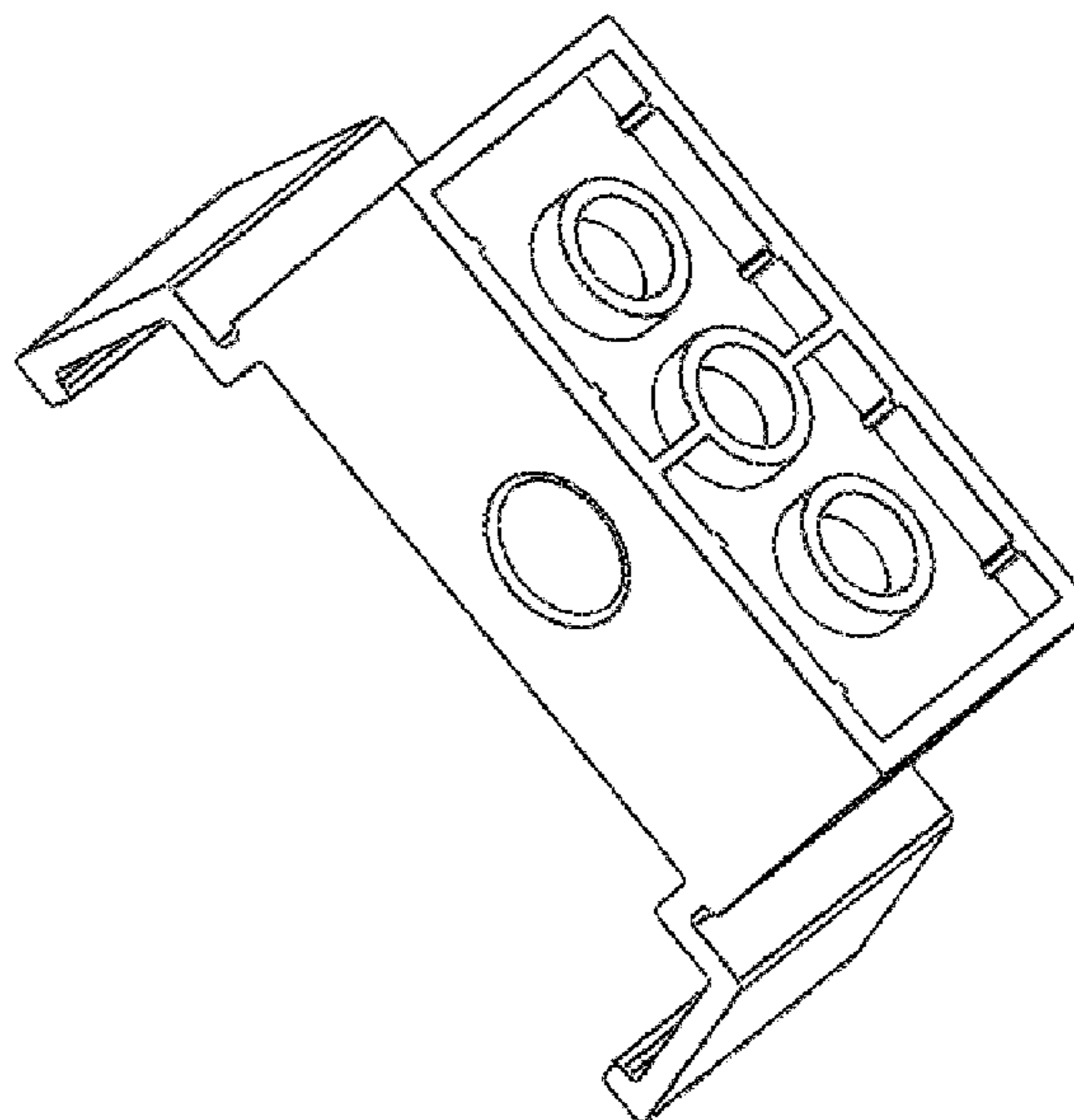
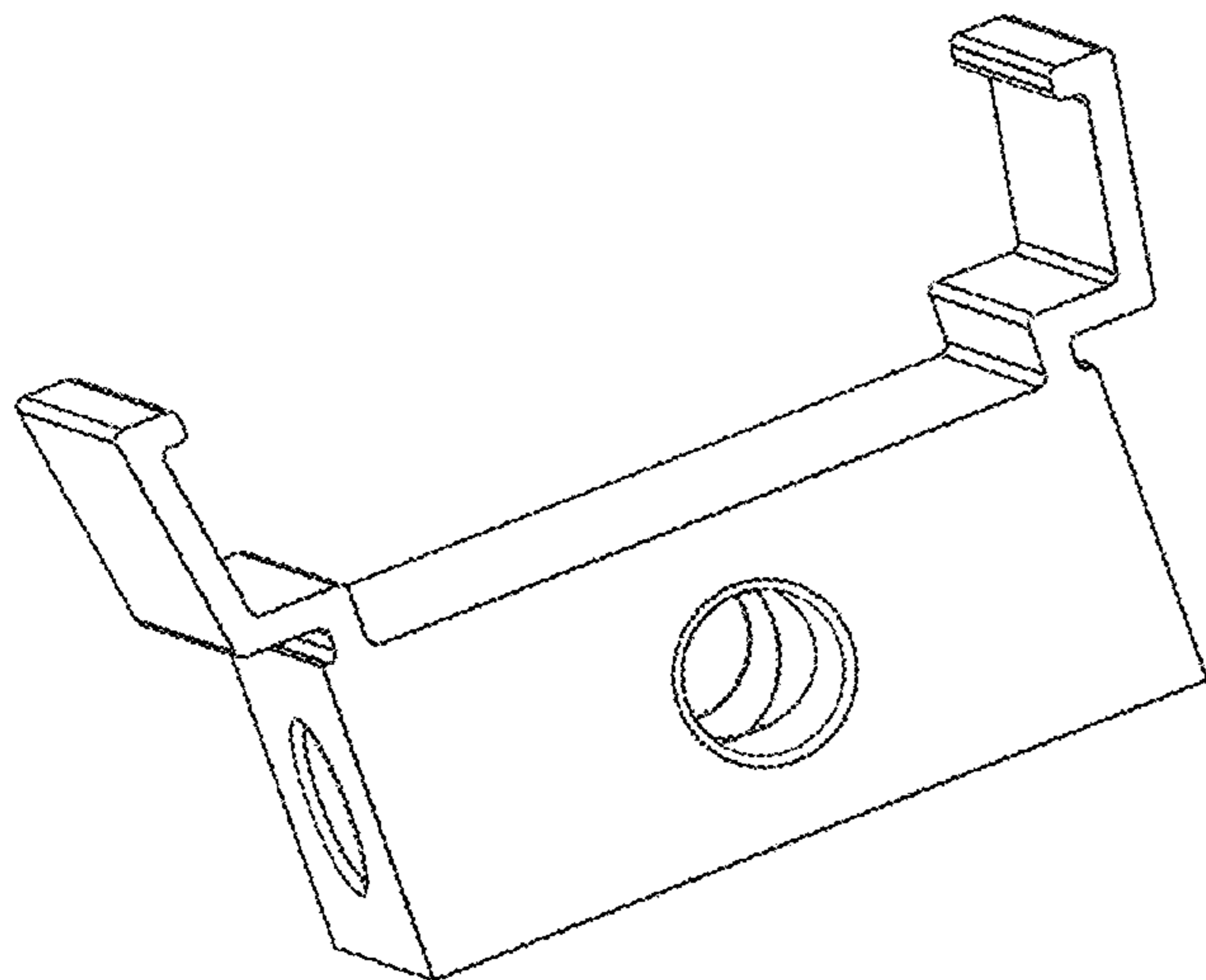
(57) **CLAIM**

The ornamental design for a toy construction set component, as shown and described.

DESCRIPTION

FIG. 1 is top perspective view of the toy construction set component of my ornamental design; FIG. 2 is a bottom perspective view thereof; FIG. 3 is a front elevation view thereof; FIG. 4 is a rear elevation view thereof; FIG. 5 is an enlarged right side view thereof; FIG. 6 is an enlarged left side view thereof; FIG. 7 is a top plan view thereof; and, FIG. 8 is a bottom plan view thereof.

1 Claim, 8 Drawing Sheets



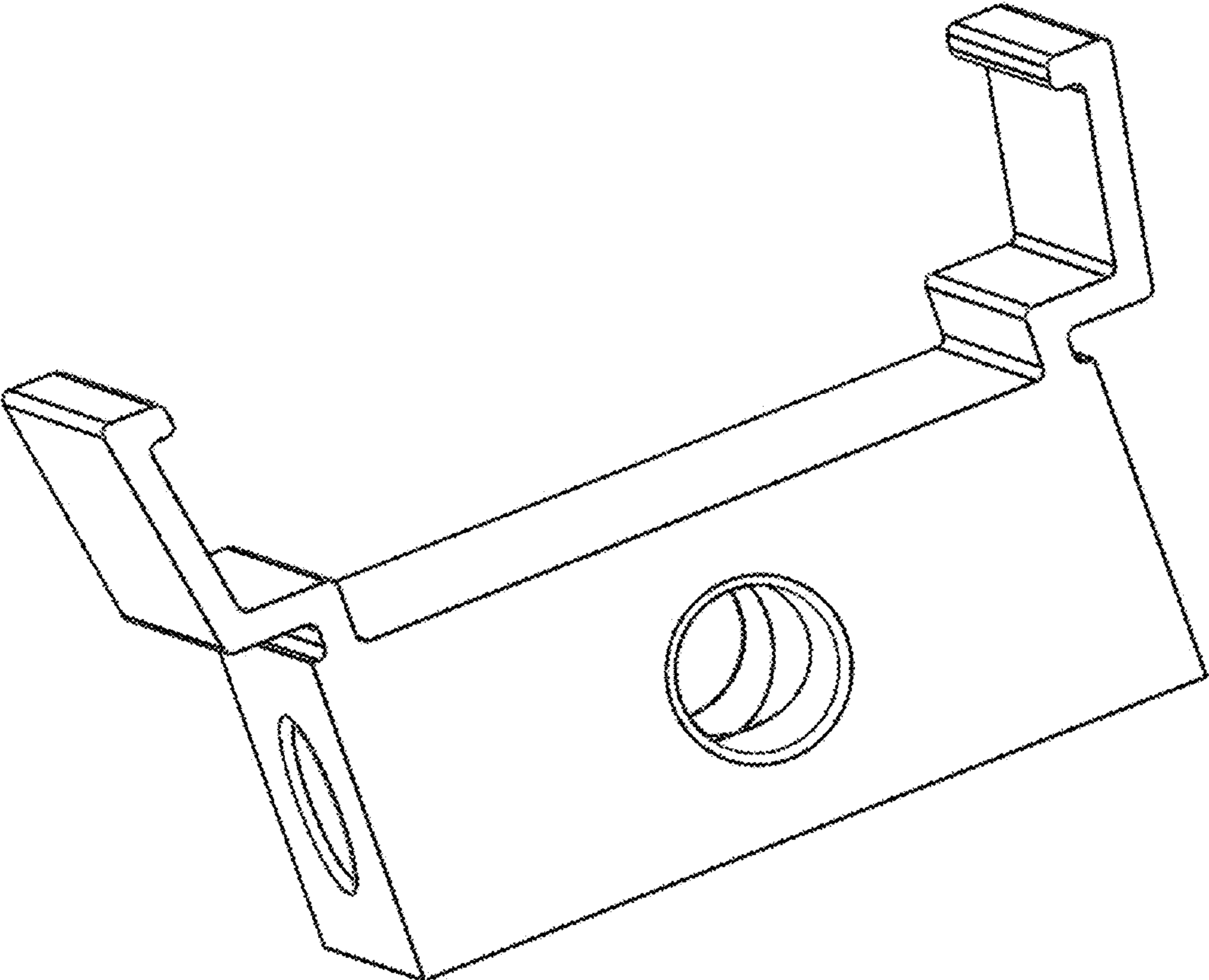


FIG. 1

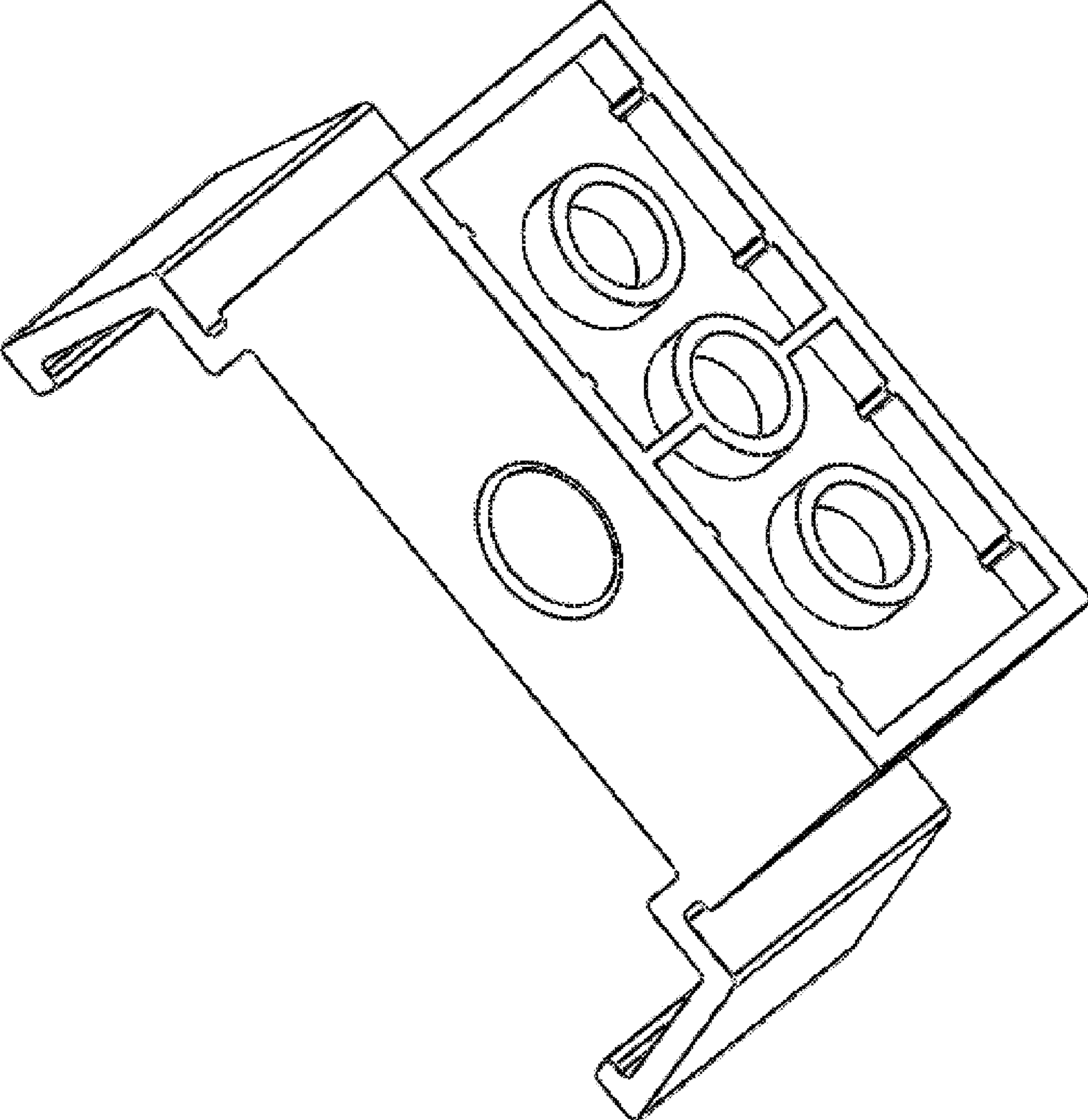


FIG. 2

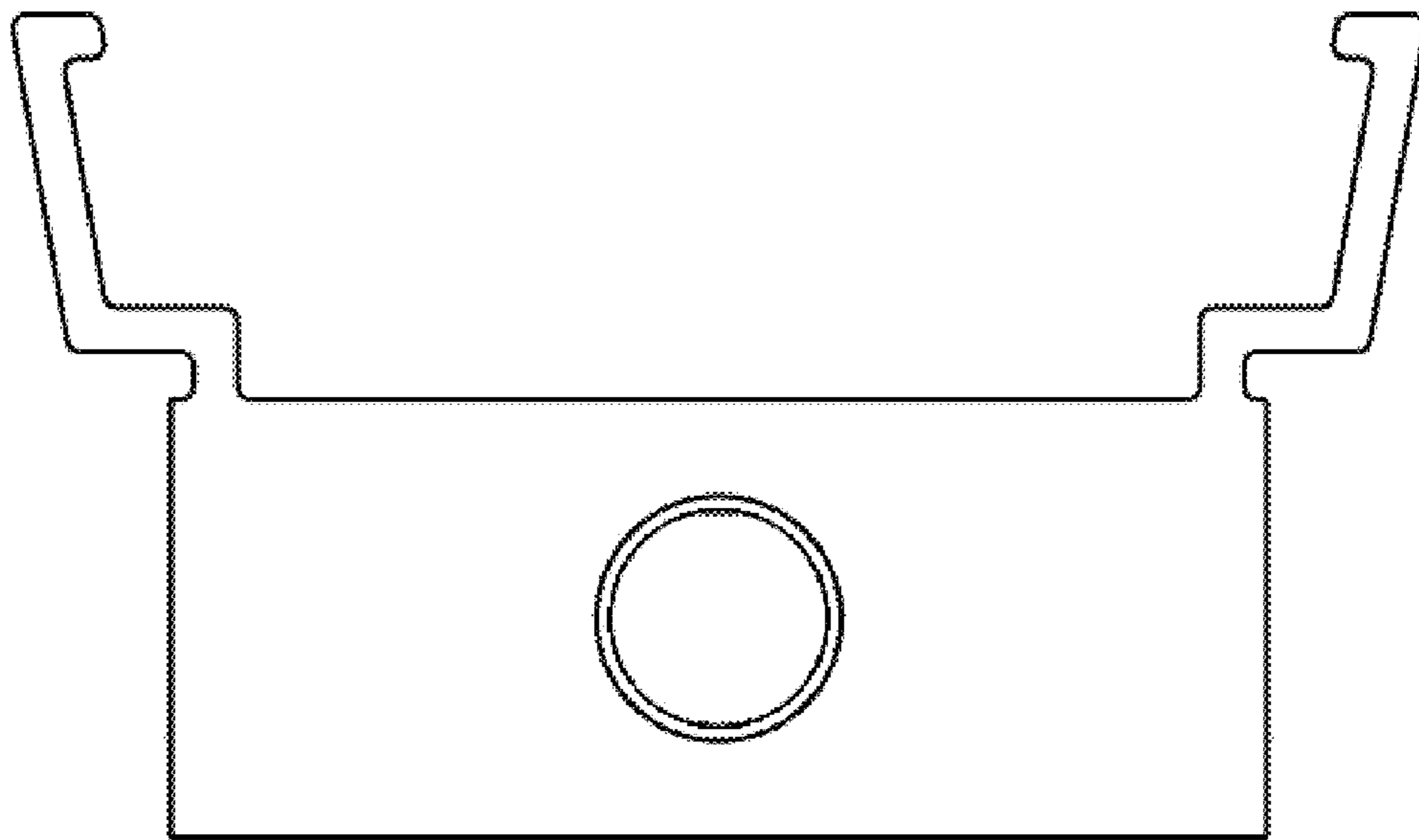


FIG. 3

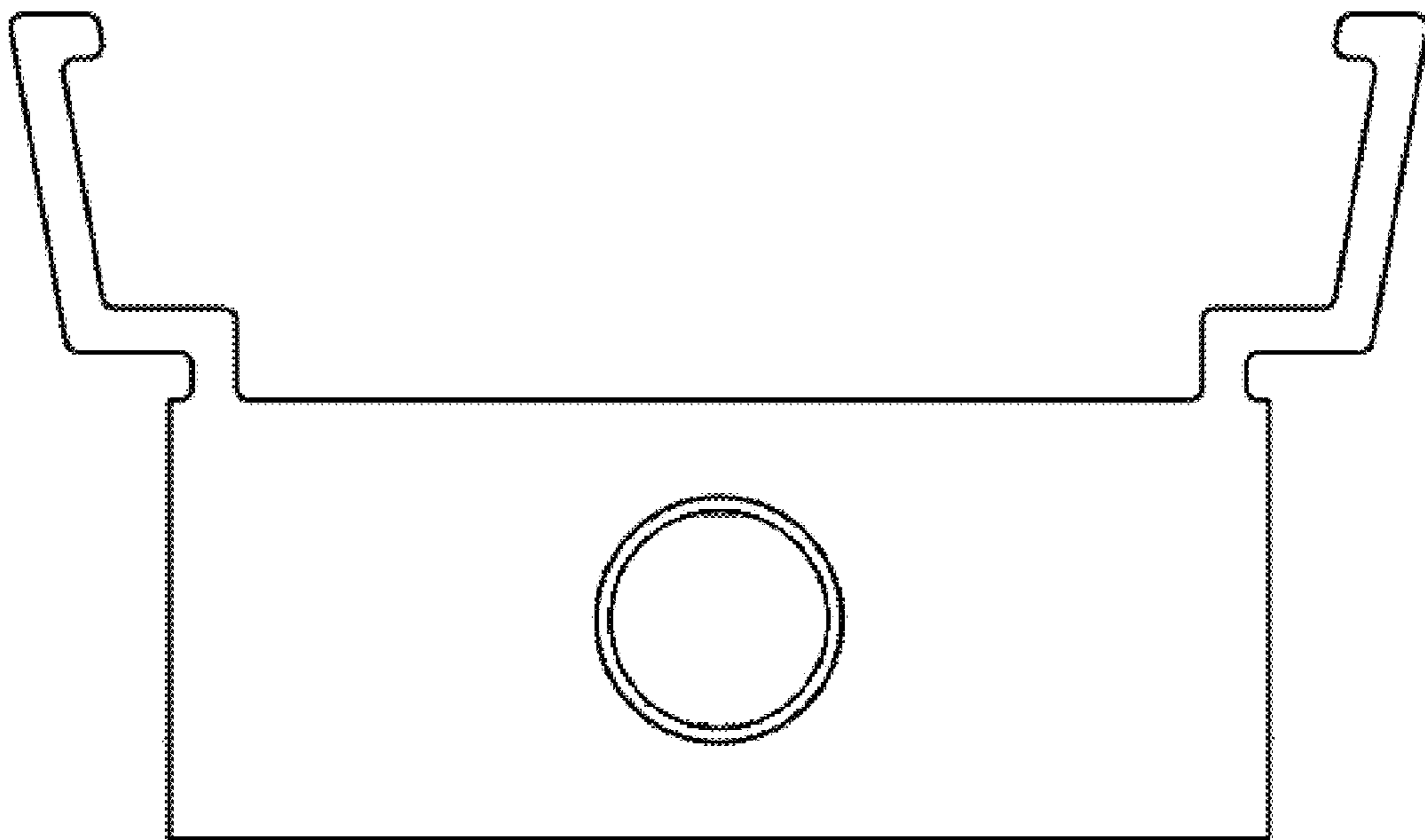


FIG. 4

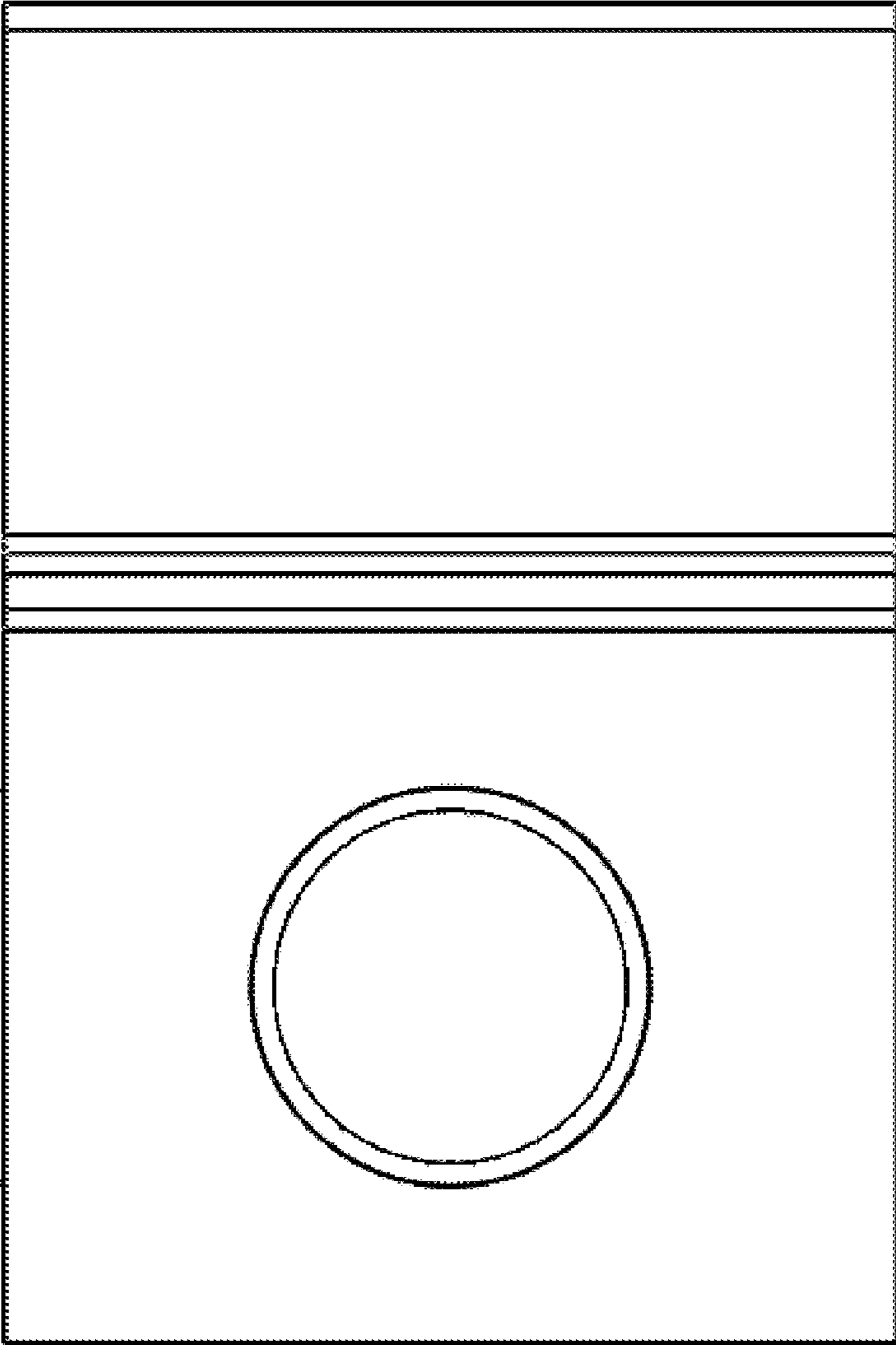


FIG. 5

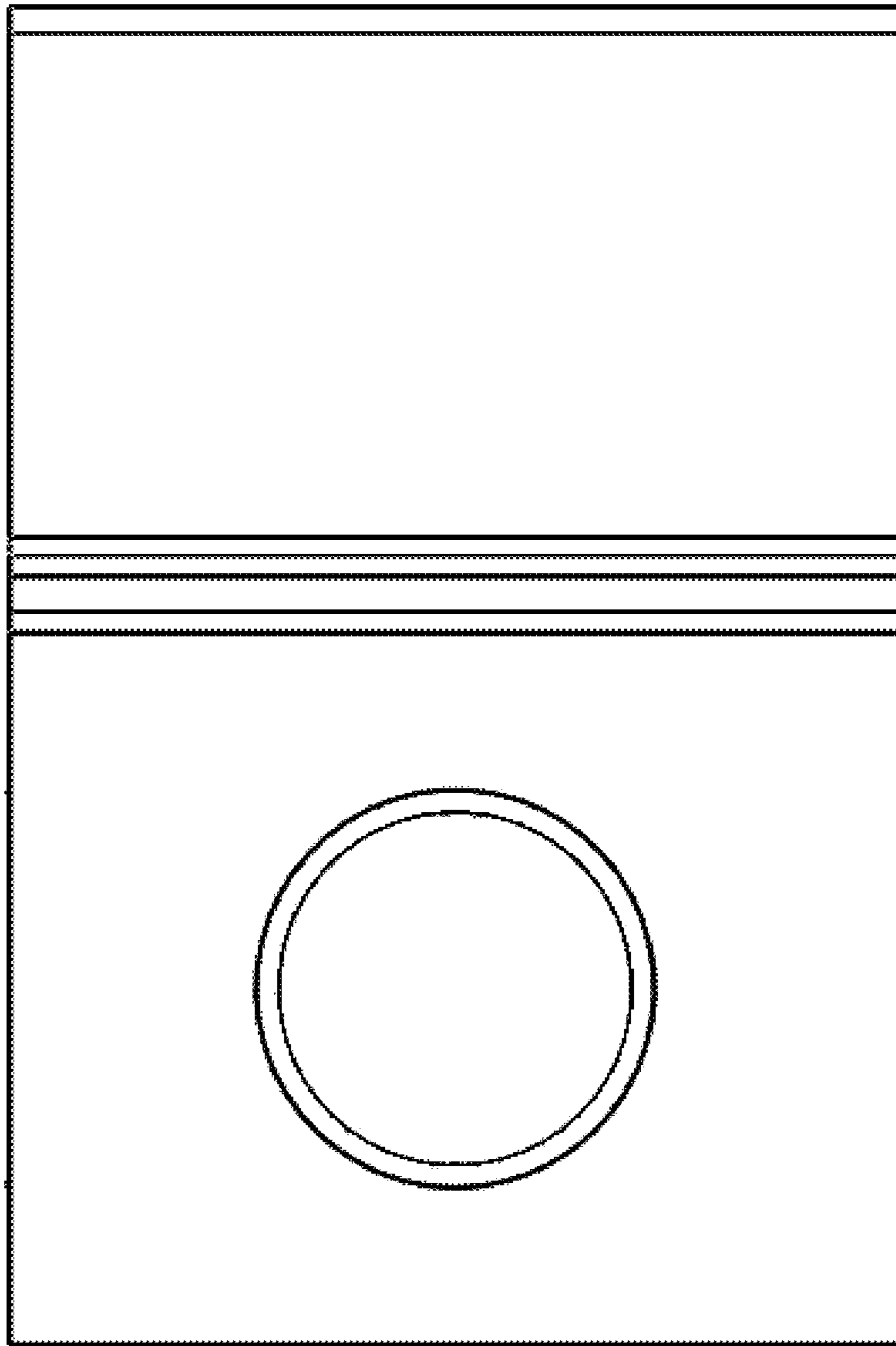


FIG. 6

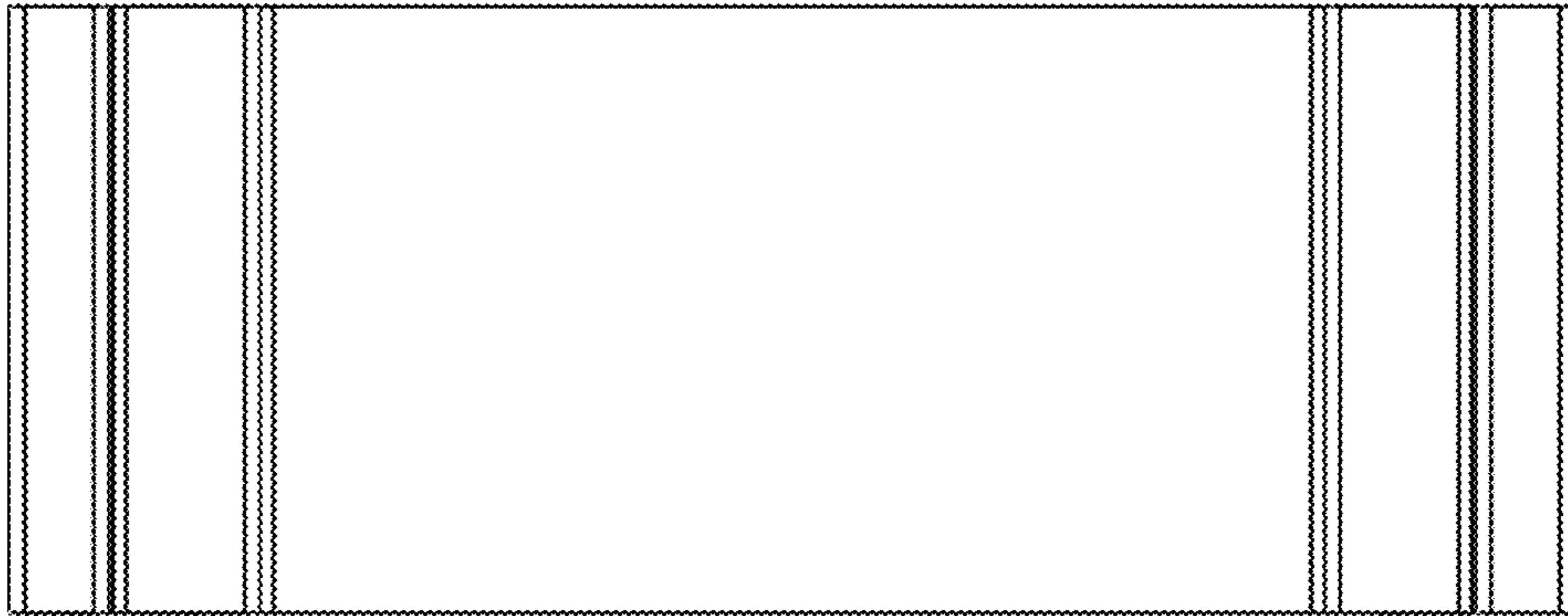


FIG. 7

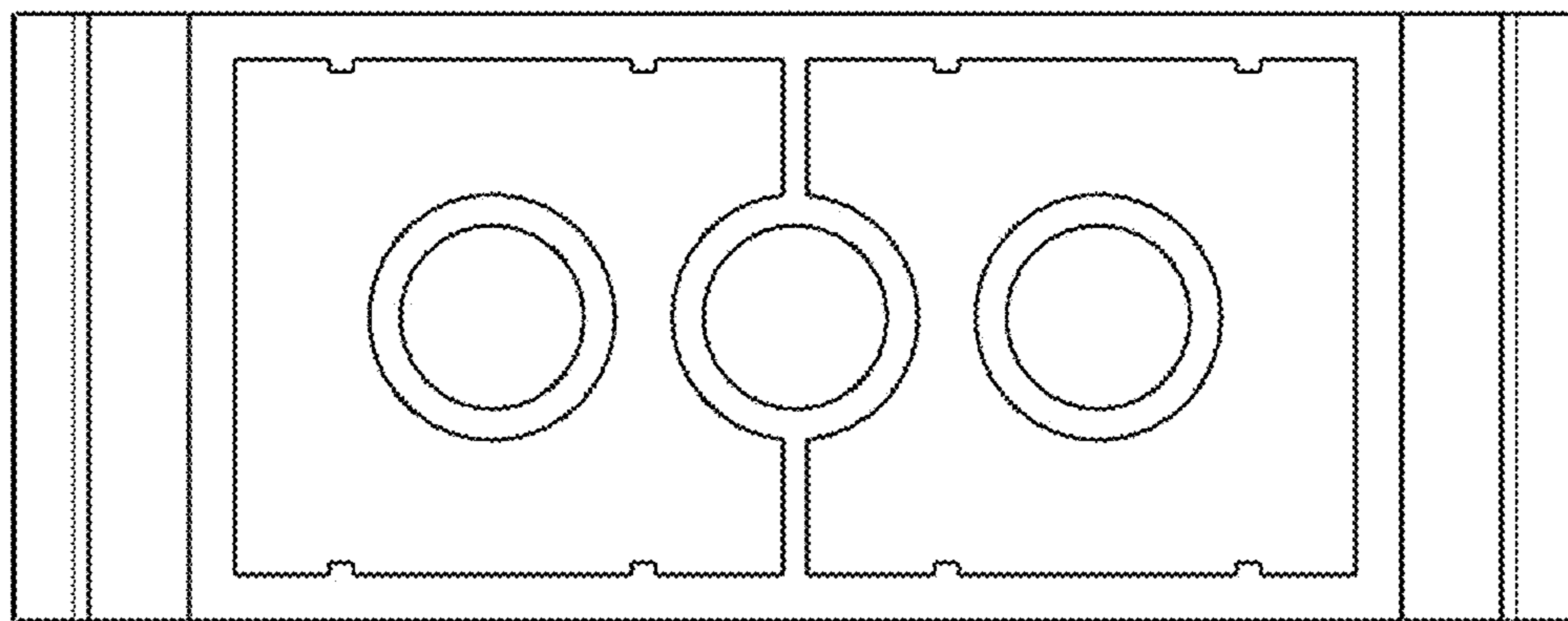


FIG. 8