



US00D723105S

(12) **United States Design Patent**
Henning et al.

(10) **Patent No.:** **US D723,105 S**
(45) **Date of Patent:** **** Feb. 24, 2015**

(54) **DICE AND PEG GAME**
(71) Applicants: **Frederik J. Henning**, New Palestine, IN (US); **Melissa B. Hudson-Lobb**, New Palestine, IN (US)
(72) Inventors: **Frederik J. Henning**, New Palestine, IN (US); **Melissa B. Hudson-Lobb**, New Palestine, IN (US)

4,927,158 A *	5/1990	Lierman	273/268
4,999,001 A *	3/1991	Johnson, Jr.	273/269
5,011,160 A *	4/1991	Lacza	273/268
5,050,888 A *	9/1991	Schultz et al.	273/146
5,269,529 A *	12/1993	Clemente	273/238
7,862,337 B2 *	1/2011	Panicali	434/128
7,931,275 B1 *	4/2011	Strickland	273/146
D687,107 S *	7/2013	Kanbar	D21/373
8,602,415 B1 *	12/2013	Denoual	273/146

* cited by examiner

(**) Term: **14 Years**

Primary Examiner — Sandra Morris

(21) Appl. No.: **29/481,823**

(22) Filed: **Feb. 11, 2014**

(51) **LOC (10) Cl.** **21-01**

(52) **U.S. Cl.**
USPC **D21/372**

(58) **Field of Classification Search**
CPC A63F 59/04
USPC D21/342–343, 372–373, 376, 379, D21/385–390; 273/145 A, 146, 268, 273/288–291; 434/128, 129, 188
See application file for complete search history.

(56) **References Cited**

U.S. PATENT DOCUMENTS

2,148,097 A *	2/1939	Bowman	273/145 A
4,114,290 A	9/1978	Cooper	
4,469,329 A *	9/1984	Guyer	273/146

(57) **CLAIM**

The ornamental design for a dice and peg game, as shown and described.

DESCRIPTION

FIG. 1 is a front elevation view of a dice and peg game showing a jar, a lid, a die and pegs of our new design separated for clarity;
FIG. 2 is a rear elevation view thereof;
FIG. 3 is a right side elevation view thereof;
FIG. 4 is a left side elevation view thereof;
FIG. 5 is a top plan view thereof;
FIG. 6 is a bottom plan thereof; and,
FIG. 7 is an isometric view thereof.

1 Claim, 7 Drawing Sheets

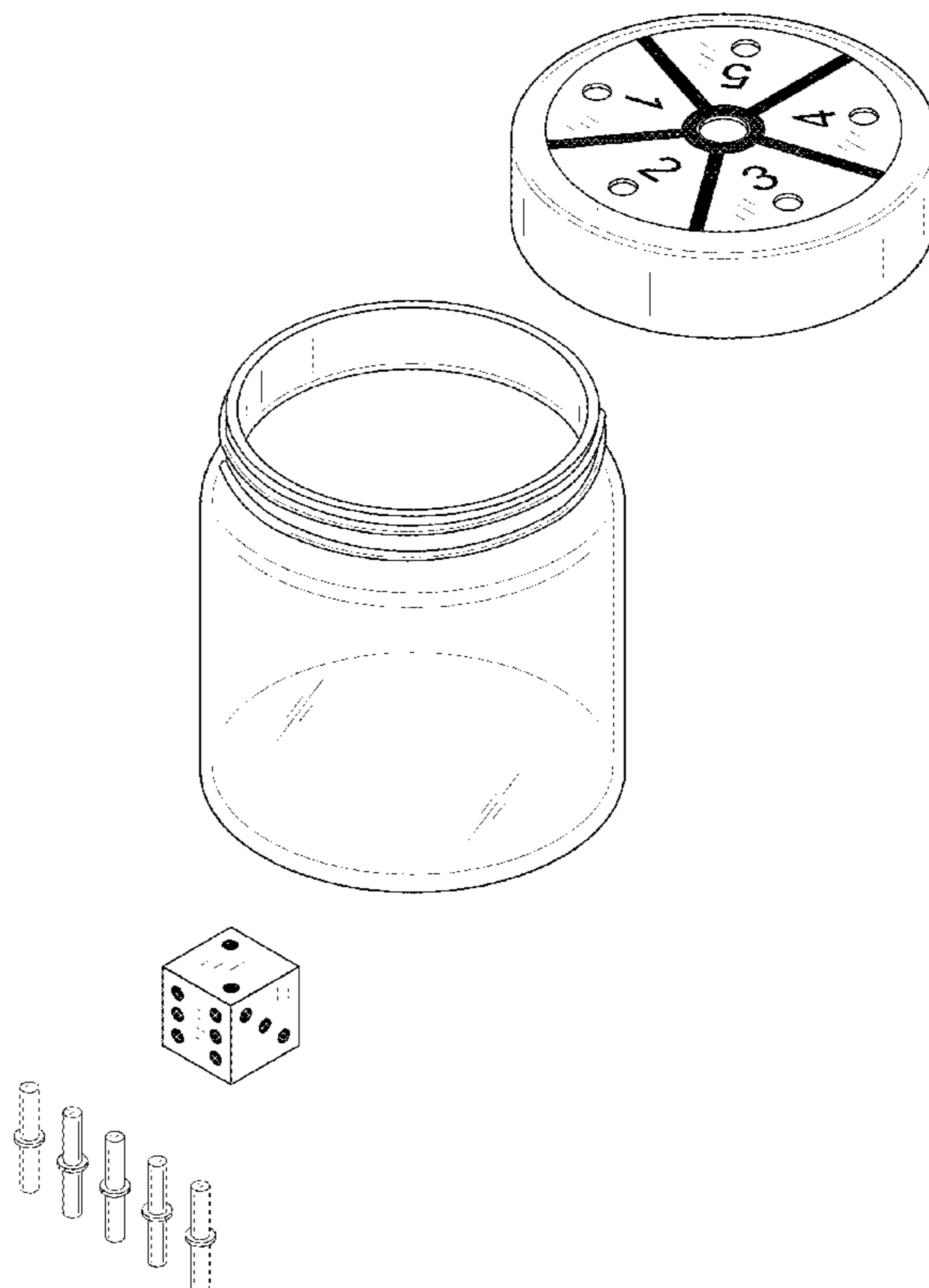


FIG. 1

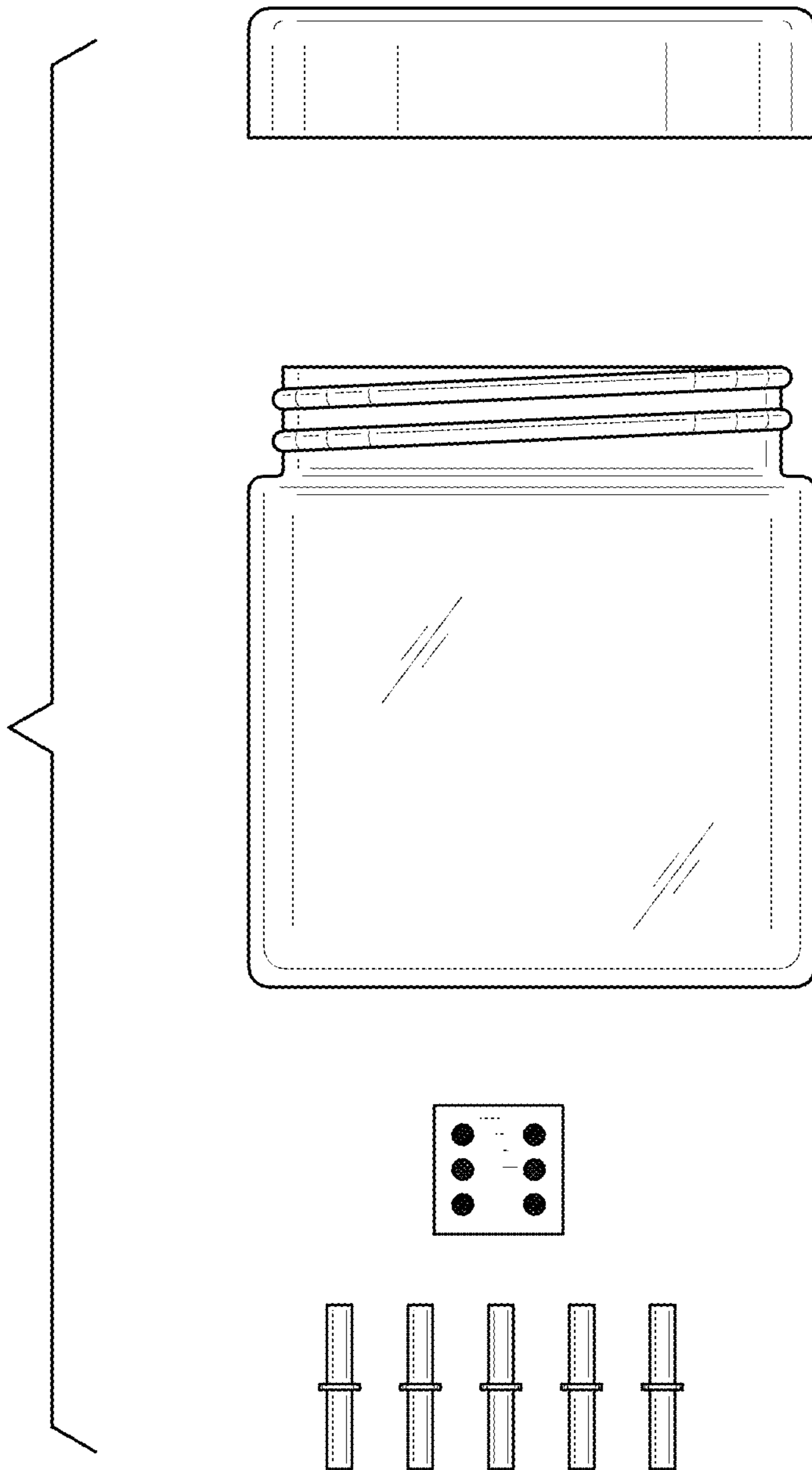
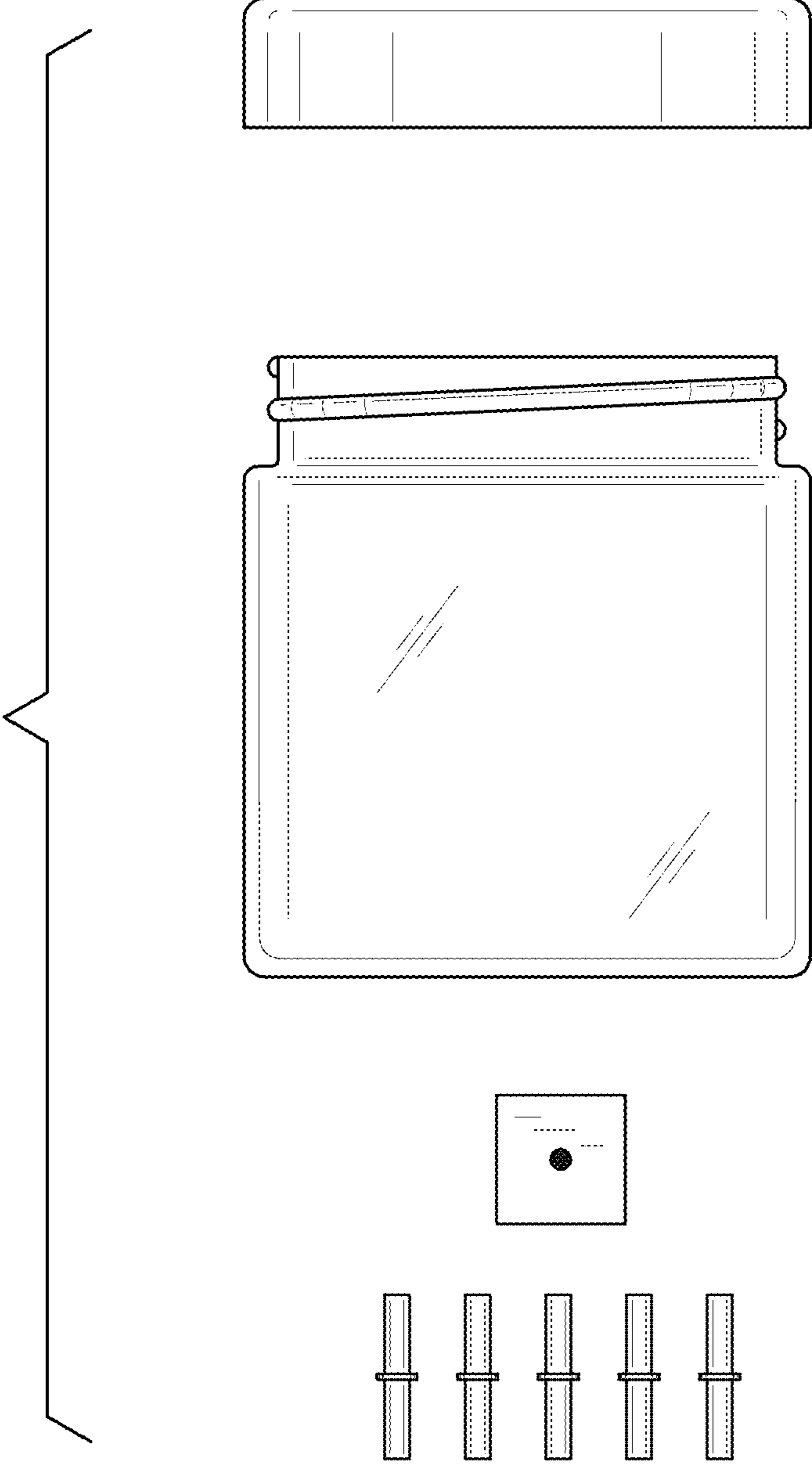


FIG. 2



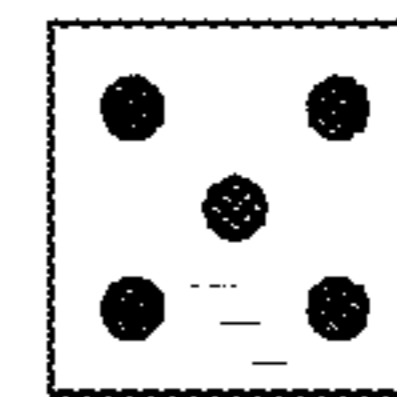
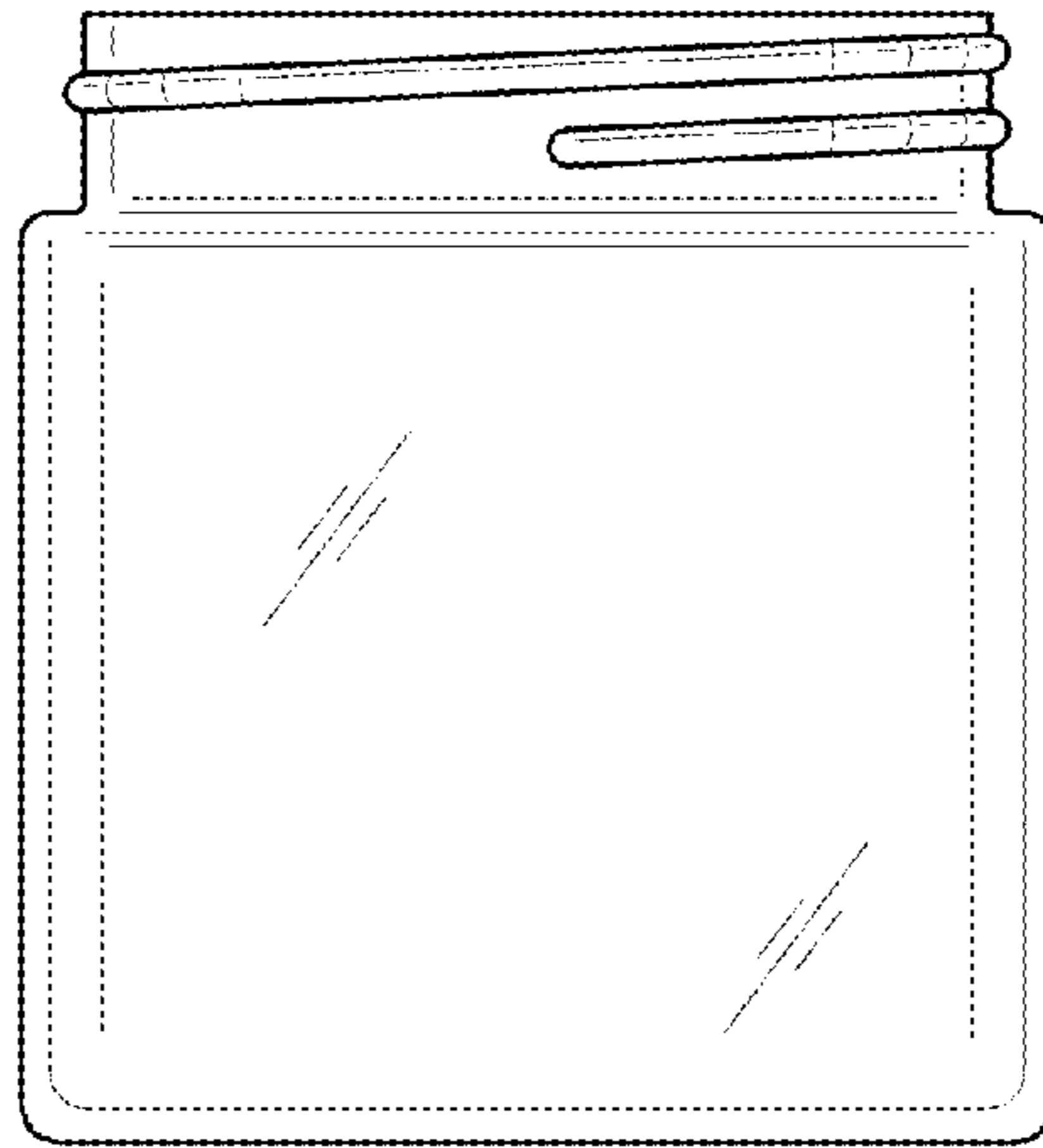
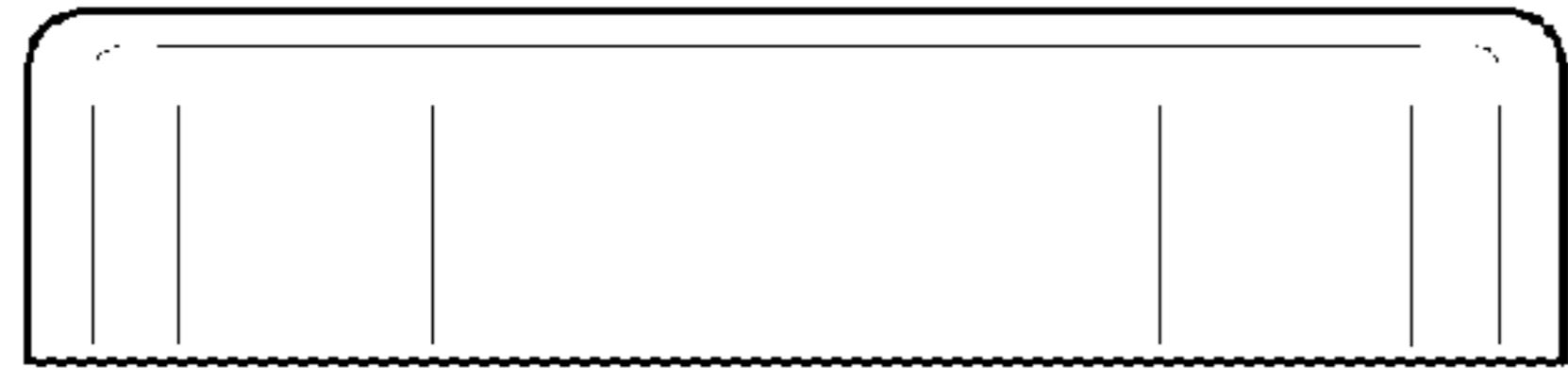


FIG. 3

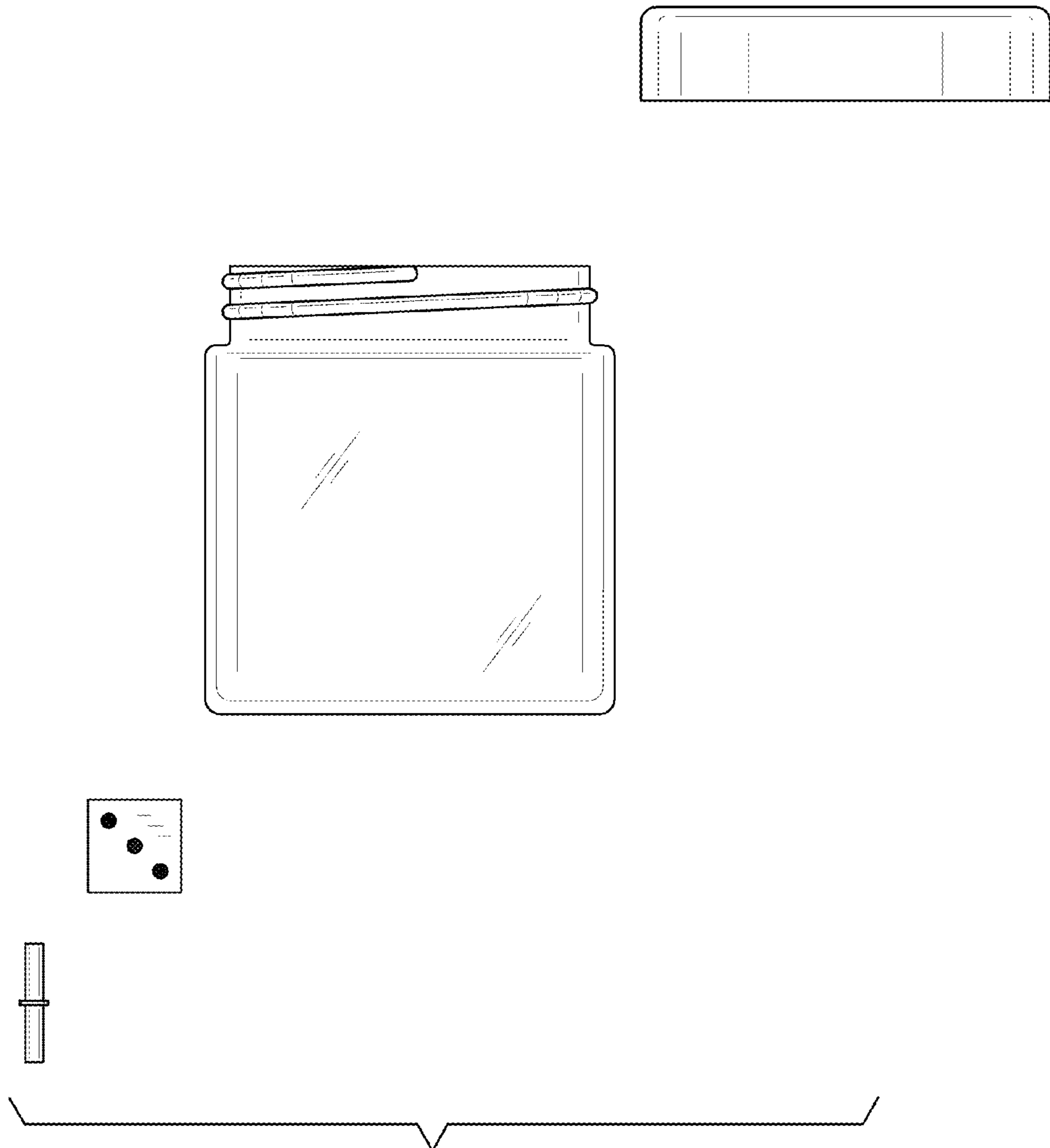


FIG. 4

FIG. 5

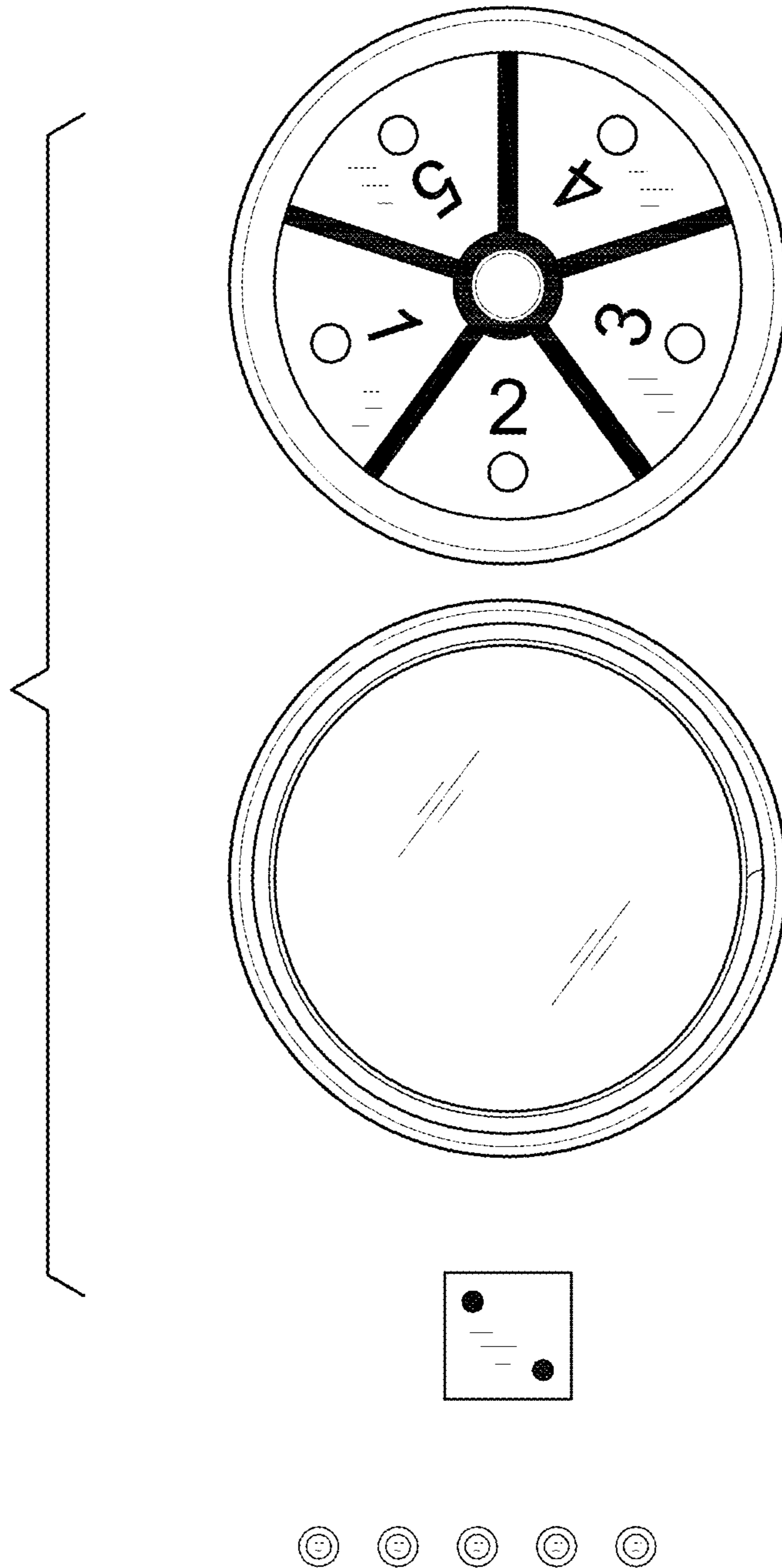


FIG. 6

