

US00D723101S

(12) **United States Design Patent**  
**Costello**

(10) **Patent No.:** **US D723,101 S**

(45) **Date of Patent:** **\*\* Feb. 24, 2015**

(54) **PAPER BINDER**

(71) Applicant: **Regis Costello**, Tukwila, WA (US)

(72) Inventor: **Regis Costello**, Tukwila, WA (US)

(\*\*) Term: **14 Years**

(21) Appl. No.: **29/463,404**

(22) Filed: **Nov. 12, 2013**

(51) **LOC (10) Cl.** ..... **19-04**

(52) **U.S. Cl.**  
USPC ..... **D19/32**

(58) **Field of Classification Search**  
USPC ..... D19/26, 27, 28, 32, 33, 100, 202;  
281/15.1, 21.1, 27, 28, 45, 48, 51;  
402/1, 3, 5, 26, 36, 60, 61, 62, 64, 68,  
402/70, 80 R, 80 L, 80 P; 412/9, 12, 25, 28,  
412/31, 33; 462/71, 72, 75, 78, 80, 84;  
D18/34.1, 34.9, 99

See application file for complete search history.

(56) **References Cited**

**U.S. PATENT DOCUMENTS**

587,044	A *	7/1897	McDonald, Jr.	402/2
613,070	A *	10/1898	Murray	402/64
674,152	A *	5/1901	Axthelm	402/64
760,049	A *	5/1904	Windfield et al.	402/59
771,974	A *	10/1904	Eklundh	402/64
787,721	A *	4/1905	Bowen	402/64
799,992	A *	9/1905	Lee	402/64
801,883	A *	10/1905	Kuhns	402/64
944,893	A *	12/1909	Moore	402/46

1,024,525	A *	4/1912	Schade, Jr.	402/67
1,035,087	A *	8/1912	Hellweg	402/59
1,040,514	A *	10/1912	Cooley	402/63
1,375,523	A *	4/1921	McBee	402/47
1,466,959	A *	9/1923	Pitt	402/65
2,023,802	A *	12/1935	Brown	402/53
2,072,547	A *	3/1937	Dawson	402/5
2,449,331	A *	9/1948	Shoda	402/65
D380,488	S *	7/1997	Elstad et al.	D18/34.1
2011/0011766	A1 *	1/2011	Puckett	206/575
2012/0027503	A1 *	2/2012	Chiles et al.	402/61

\* cited by examiner

*Primary Examiner* — Deanna L Pratt

*Assistant Examiner* — Ieisha Price

(74) *Attorney, Agent, or Firm* — Dean A. Craine; Marisa C. Whitaker

(57) **CLAIM**

The ornamental design for a paper binder.

**DESCRIPTION**

FIG. 1 is a front perspective view of a paper binder positioned along the end of a stack of paper.

FIG. 2 is a perspective view of the paper binder.

FIG. 3 is a top plan view of the paper binder

FIG. 4 is a front elevational view of the paper binder.

FIG. 5 is a left side elevational view of the paper binder.

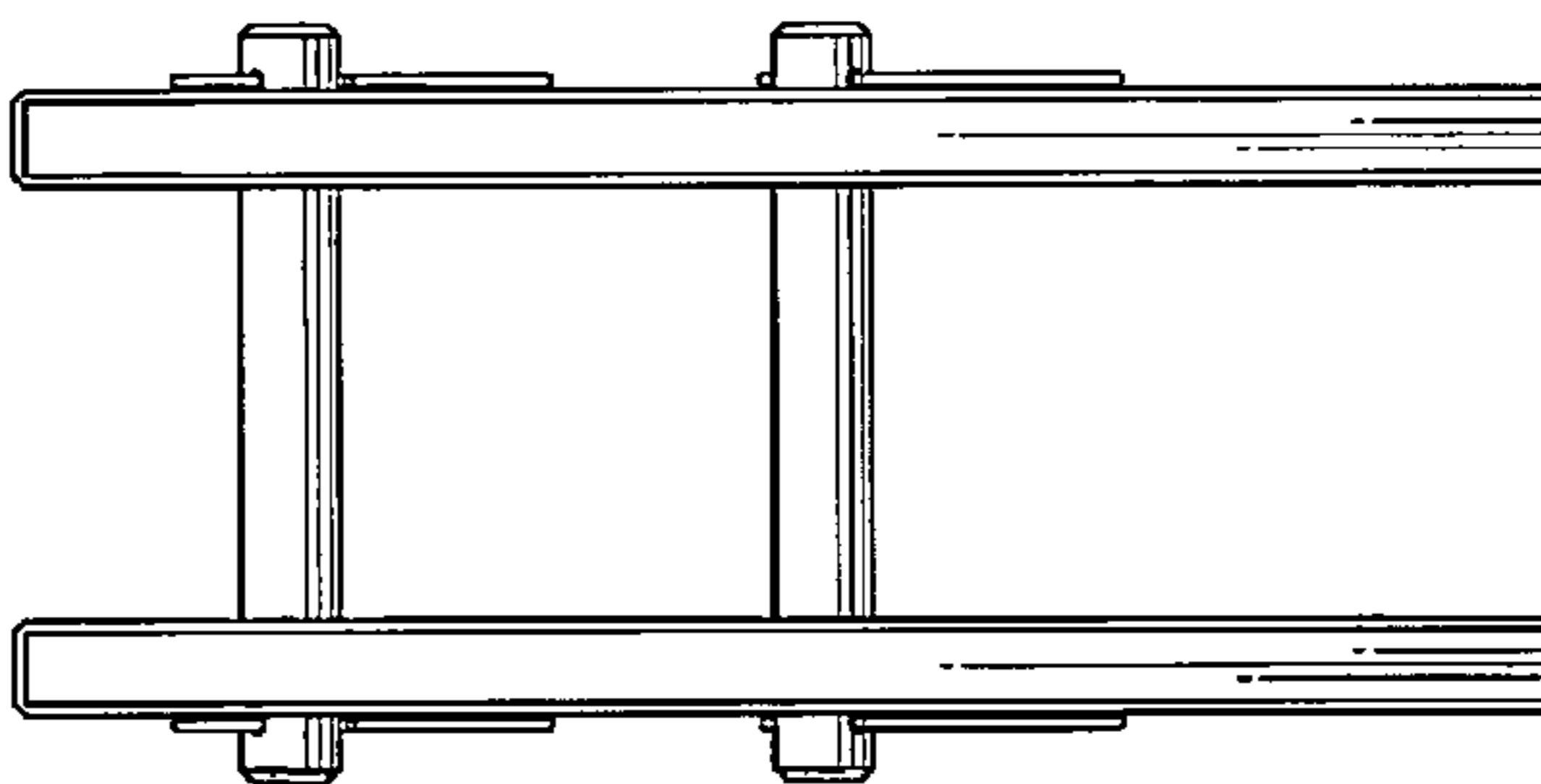
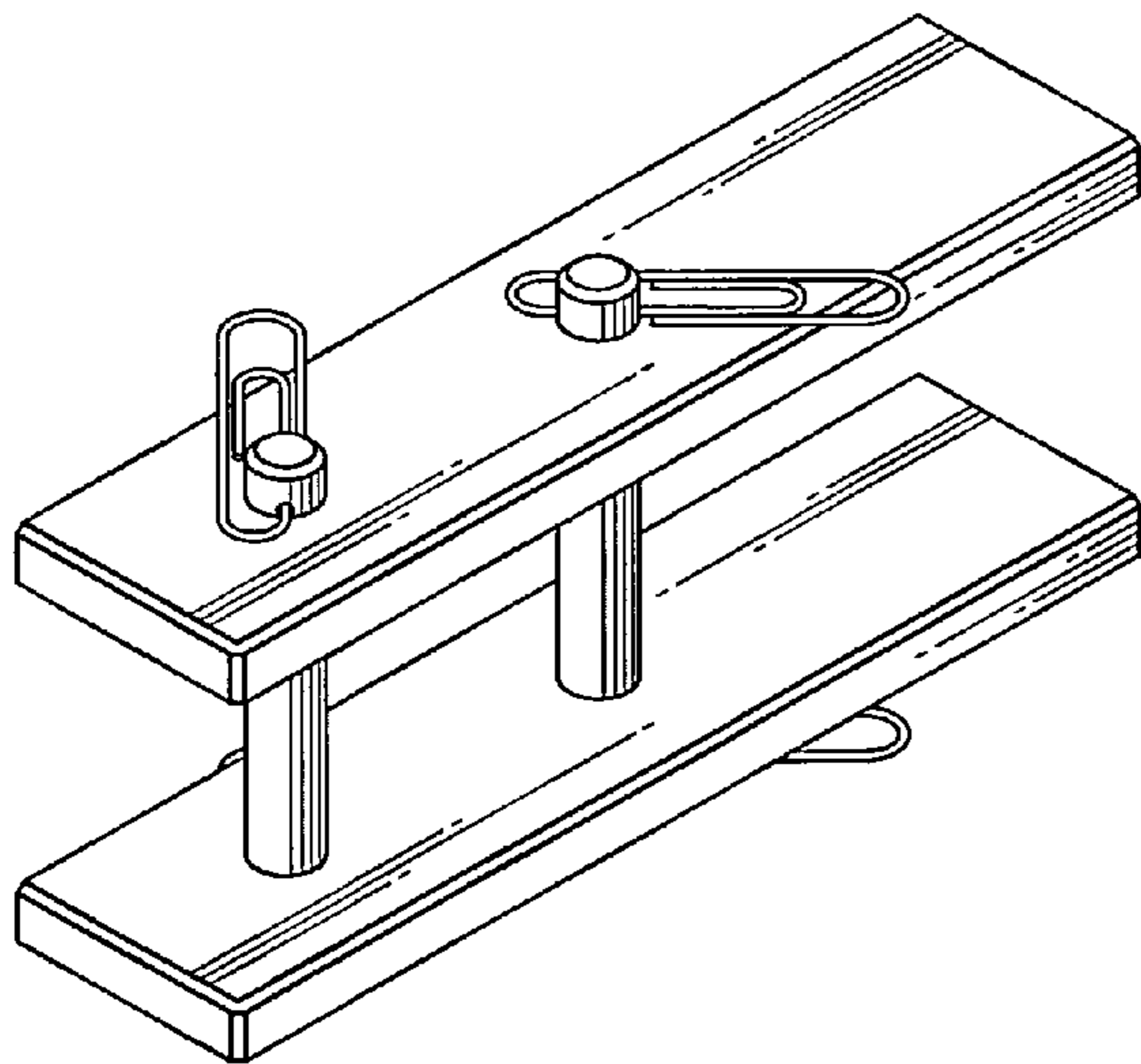
FIG. 6 is a right side elevational view of the paper binder.

FIG. 7 is a bottom plan view of the paper binder; and,

FIG. 8 is a right side elevational view of the paper binder.

The broken line showing of the stack of paper in FIG. 1 illustrates the environment of the claimed design and forms no part thereof.

**1 Claim, 2 Drawing Sheets**



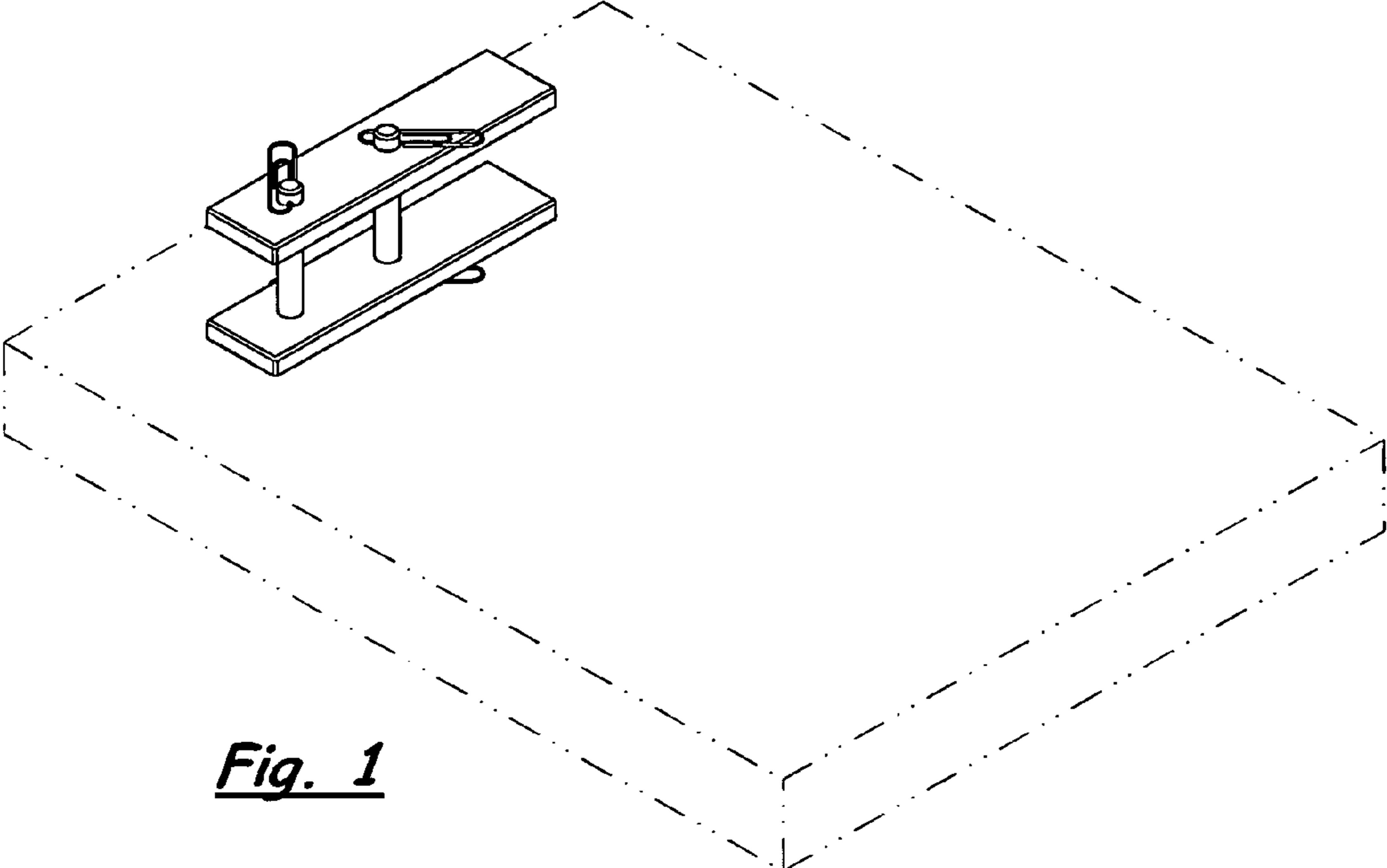


Fig. 1

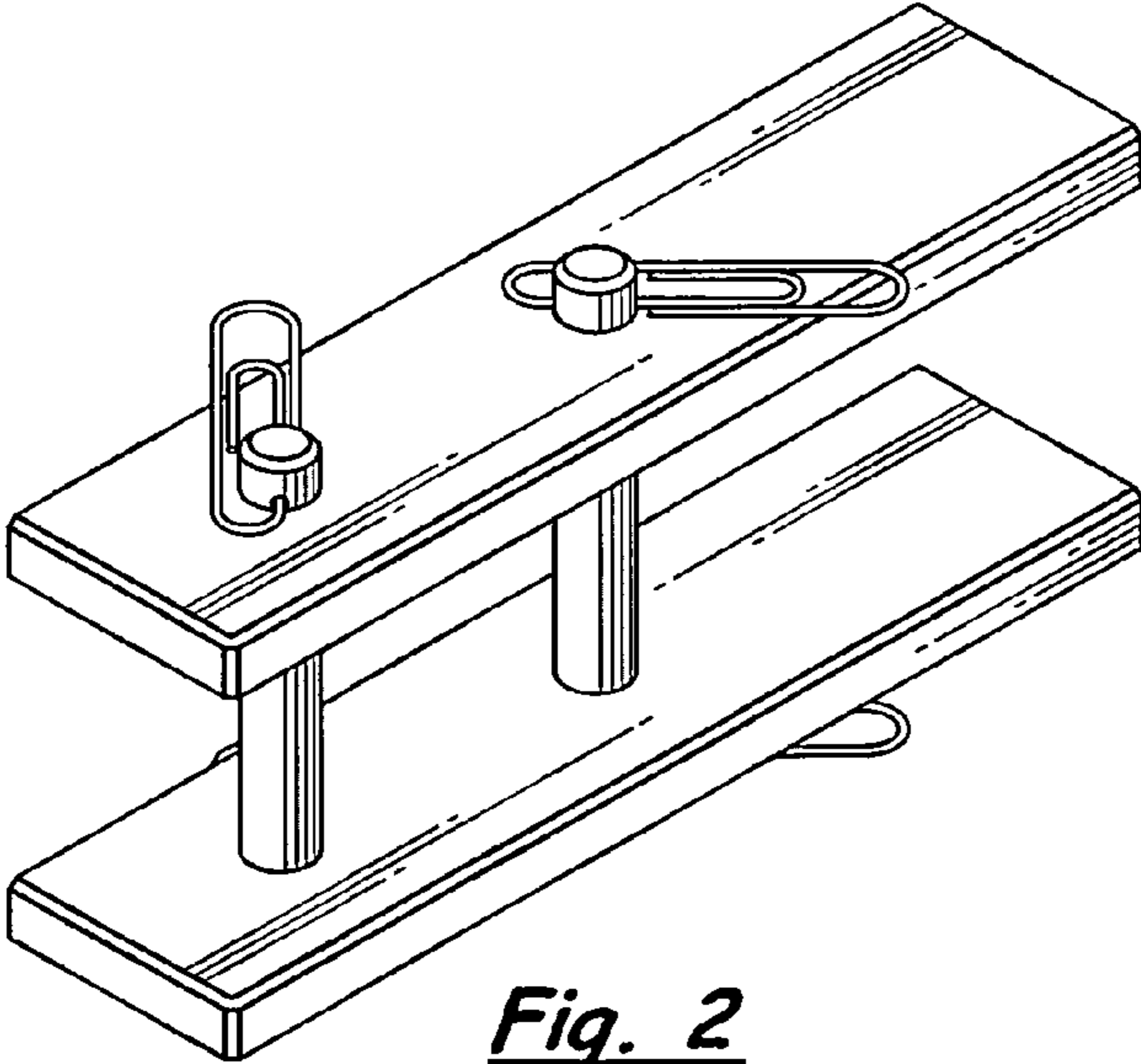


Fig. 2

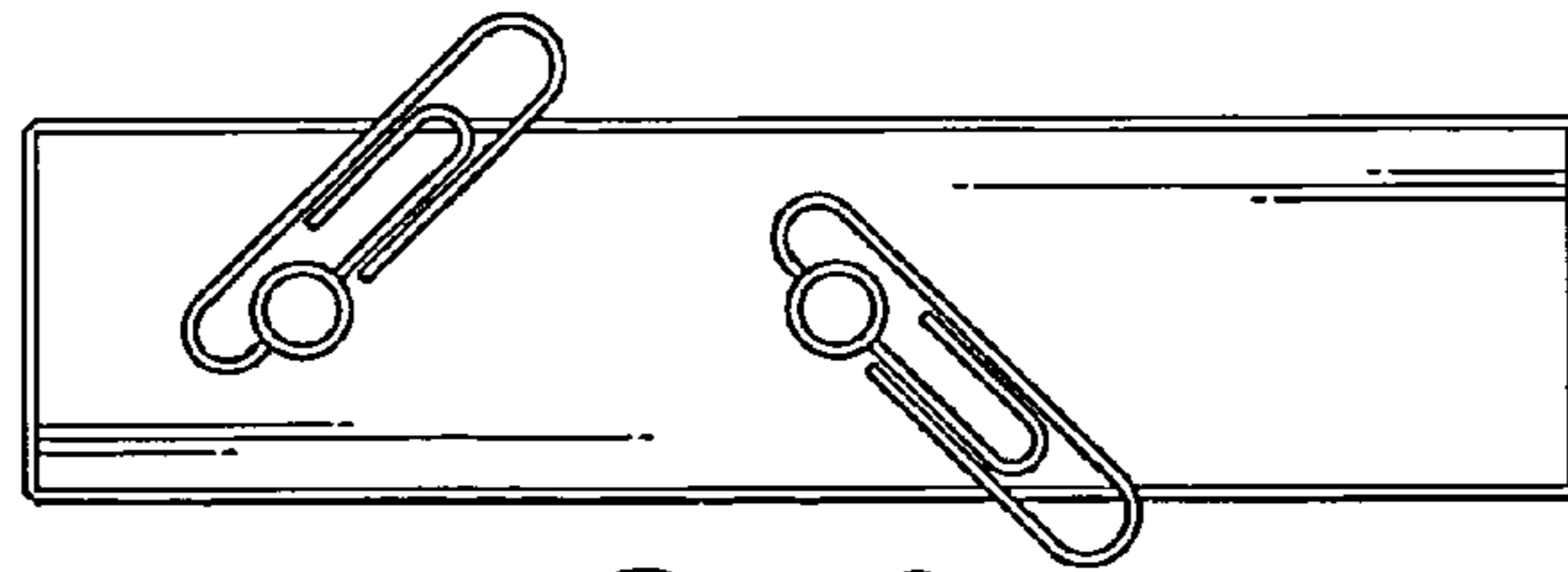


Fig. 3

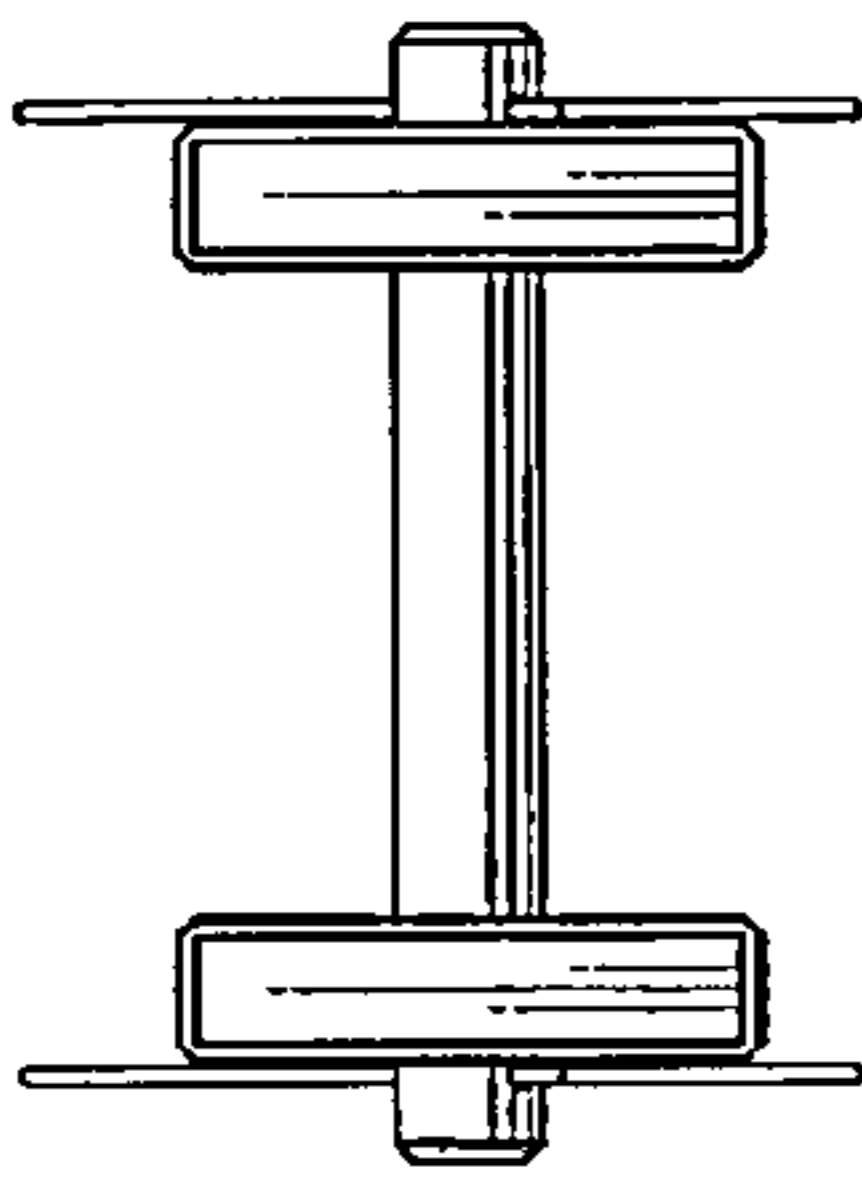


Fig. 5

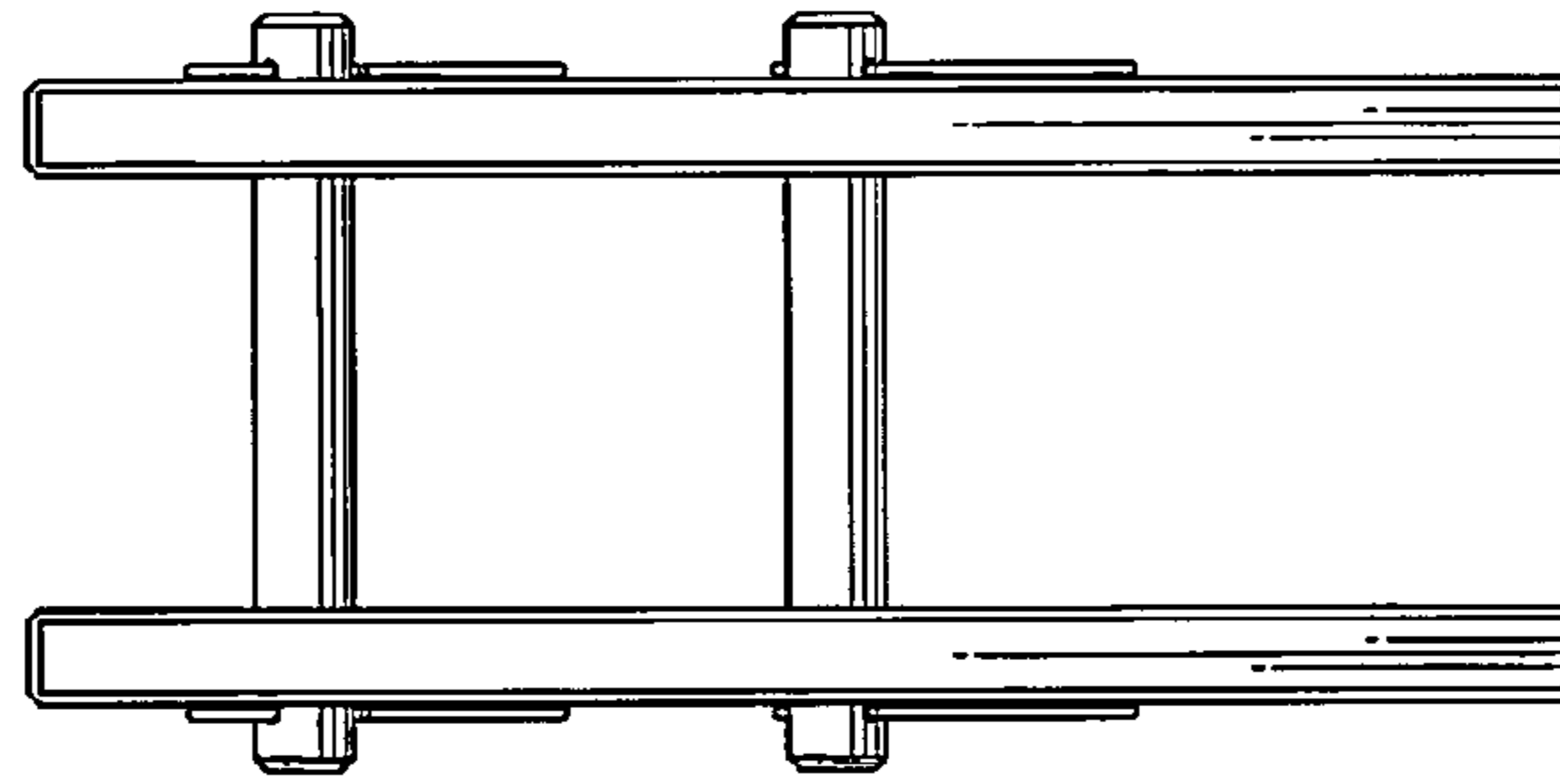


Fig. 4

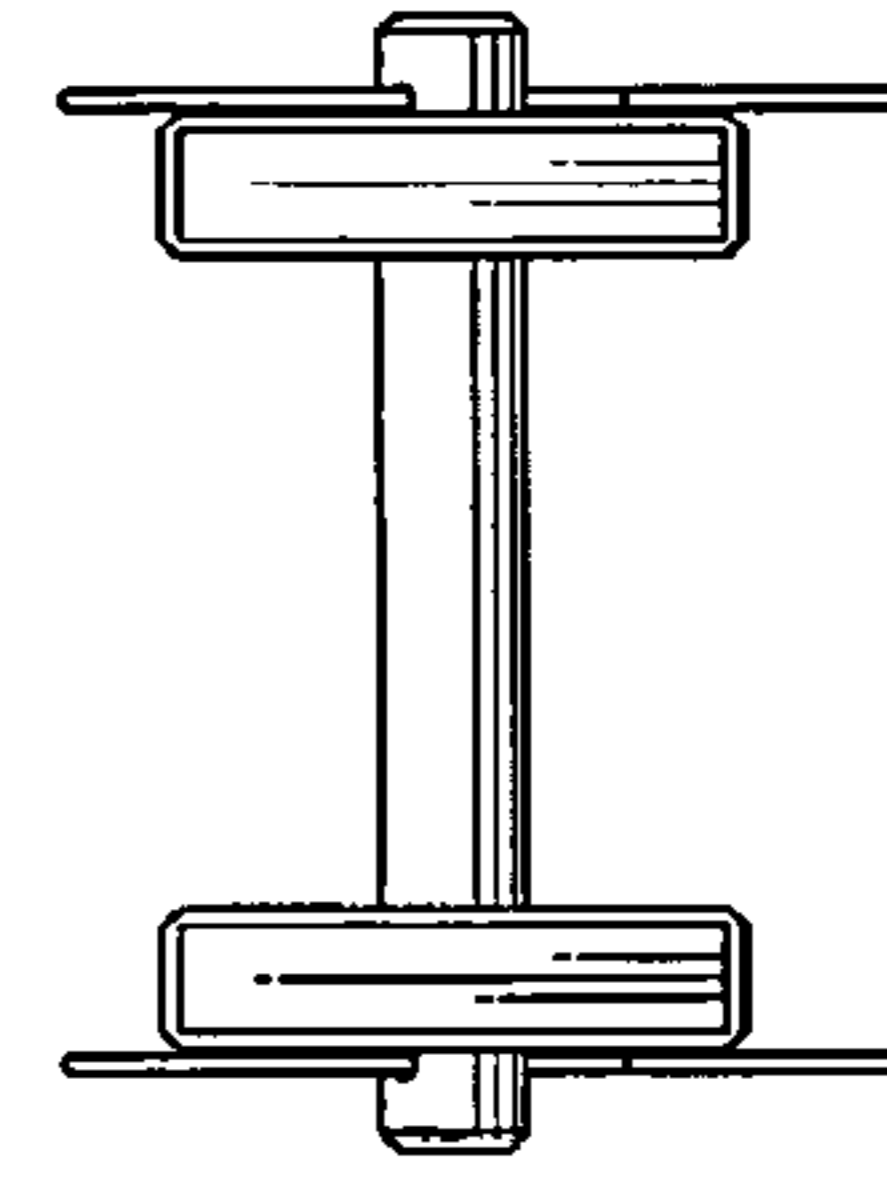


Fig. 6

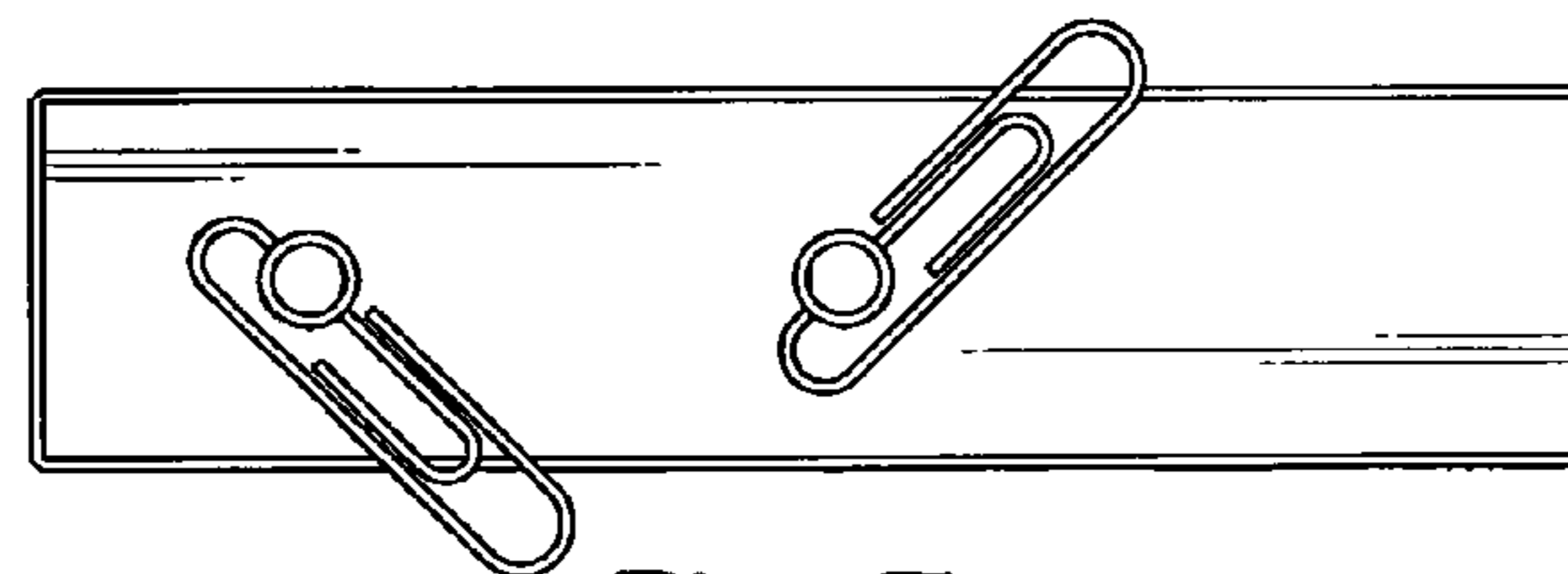


Fig. 7

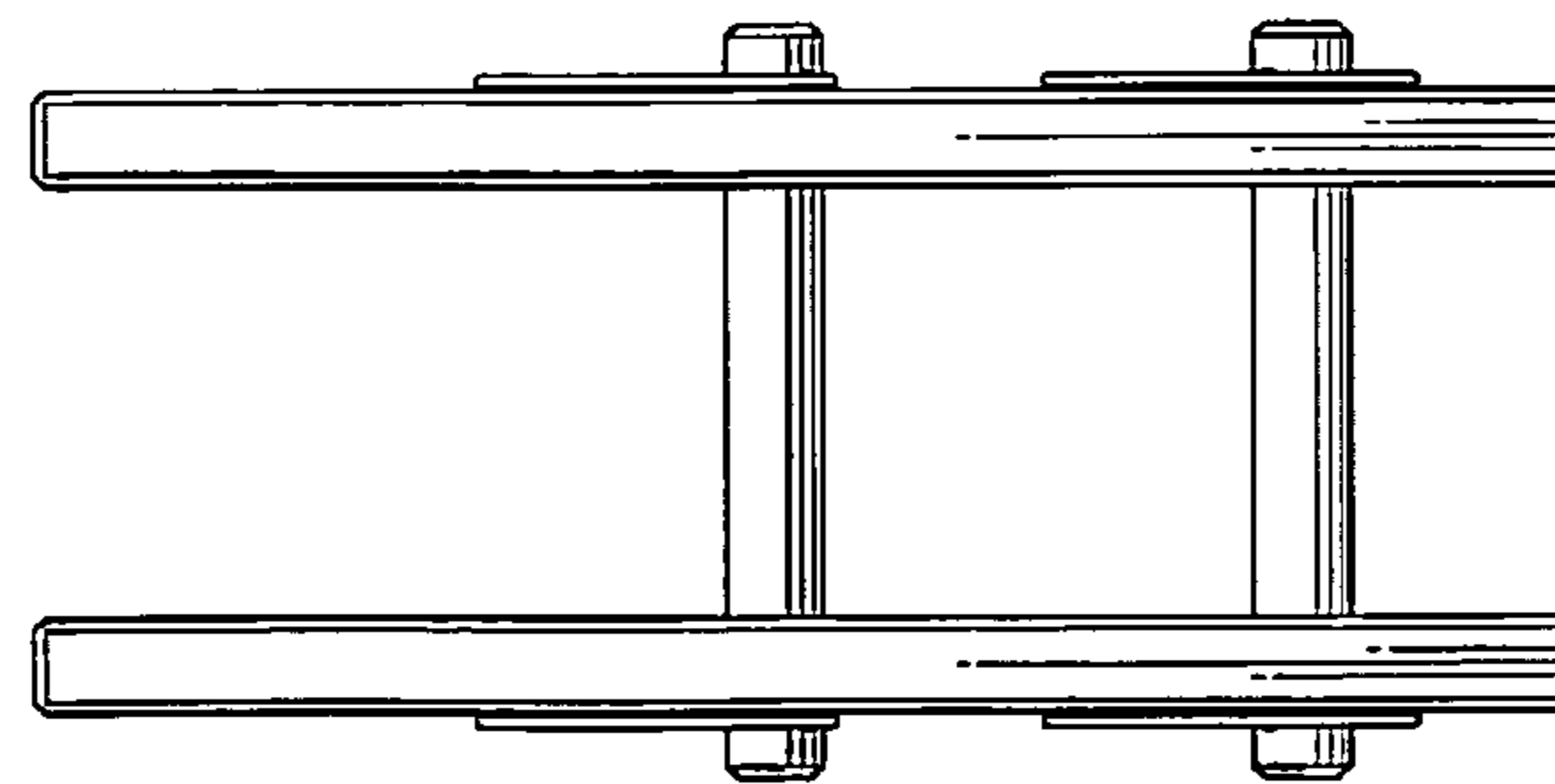


Fig. 8