



US00D723098S

(12) **United States Design Patent**
Roebke

(10) **Patent No.:** **US D723,098 S**
(45) **Date of Patent:** **** Feb. 24, 2015**

(54) **HANDHELD MUSICAL PRACTICE DEVICE**

(71) Applicant: **FretLabs LLC**, Avon, CO (US)

(72) Inventor: **Mark J. Roebke**, Avon, CO (US)

(73) Assignee: **FretLabs LLC**, Avon, CO (US)

(**) Term: **14 Years**

(21) Appl. No.: **29/485,095**

(22) Filed: **Mar. 14, 2014**

(51) **LOC (10) Cl.** **17-03**

(52) **U.S. Cl.**
USPC **D17/14**

(58) **Field of Classification Search**
USPC D17/14, 18–20, 99; 84/267, 290–293,
84/268, 461, 465, 470 R
See application file for complete search history.

(56) **References Cited**

U.S. PATENT DOCUMENTS

3,072,007	A *	1/1963	Burke	84/267
3,657,462	A *	4/1972	Robinson	84/723
D244,103	S	4/1977	Greer	
4,065,995	A	1/1978	Greer	
4,112,804	A	9/1978	Cecchini	
4,170,916	A	10/1979	Fritz et al.	
4,177,705	A	12/1979	Evangelista	
4,221,151	A *	9/1980	Barth	84/314 R
4,336,734	A	6/1982	Polson	
RE31,019	E	8/1982	Evangelista	
4,364,298	A	12/1982	Piazza	
4,803,906	A *	2/1989	Fender	84/293
4,852,443	A	8/1989	Duncan et al.	
5,095,799	A	3/1992	Wallace et al.	
5,140,887	A	8/1992	Champan	
5,398,585	A	3/1995	Starr	
5,739,455	A	4/1998	Poon	
5,756,914	A	5/1998	Streibl	
5,811,704	A	9/1998	Anderko	
5,929,362	A	7/1999	Oteyza	

5,952,595	A	9/1999	Carnell	
6,018,119	A	1/2000	Mladek	
6,037,532	A *	3/2000	Beckmeir	84/293
6,100,458	A *	8/2000	Carrington et al.	84/293
6,127,615	A	10/2000	Rosenberg	
6,225,547	B1	5/2001	Toyama et al.	
7,064,260	B2	6/2006	Willard	

(Continued)

FOREIGN PATENT DOCUMENTS

CN	201370961	Y	12/2009
EP	2130570	A1	12/2009

(Continued)

OTHER PUBLICATIONS

Burgess, et al. , et al., Review: Guitar Hero Controller Roundup, PremierGuitar, Apr. 1, 2009, 7 pages. http://www.premierguitar.com/articles/Review_Guitar_Hero_Controller_Roundup.

(Continued)

Primary Examiner — Rashida Johnson

(74) *Attorney, Agent, or Firm* — Faegre Baker Daniels LLP

(57) **CLAIM**

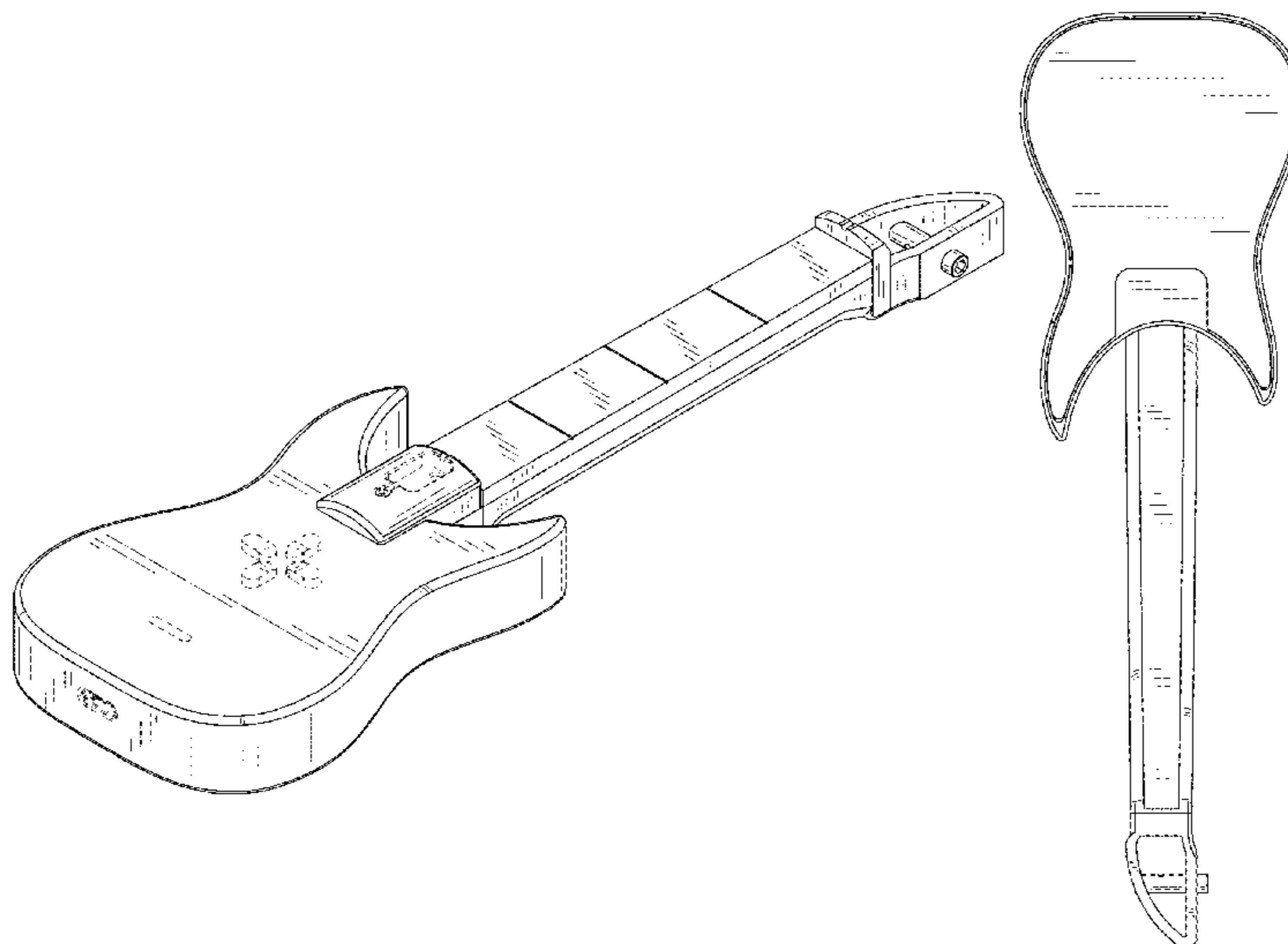
The ornamental design for a handheld musical practice device, as shown and described.

DESCRIPTION

FIG. 1 is a top perspective view of a handheld musical practice device showing my new design;
FIG. 2 is a top view thereof;
FIG. 3 is a bottom view thereof;
FIG. 4 is a right side view thereof;
FIG. 5 is a left side view thereof;
FIG. 6 is a rear view thereof; and,
FIG. 7 is a front view thereof.

The broken lines represent portions of the handheld musical practice device that form no part of the claimed design.

1 Claim, 6 Drawing Sheets



(56)

References Cited

U.S. PATENT DOCUMENTS

D529,092 S 9/2006 Ambrose, Sr.
 7,157,633 B1 1/2007 Kopesec
 7,230,175 B2 6/2007 Whiteside
 7,304,224 B1 12/2007 Bettis et al.
 D568,375 S * 5/2008 Campos D17/14
 D568,377 S * 5/2008 Kim et al. D17/14
 7,408,109 B1 8/2008 Freitas
 D576,165 S 9/2008 Yow et al.
 7,435,178 B1 10/2008 Tam et al.
 D589,512 S * 3/2009 Gray D14/400
 7,579,533 B2 * 8/2009 Jones 84/291
 7,598,449 B2 10/2009 Sullivan
 D606,594 S 12/2009 Guinchard et al.
 7,728,209 B1 6/2010 Arnold
 D626,962 S 11/2010 Guinchard et al.
 7,902,450 B2 3/2011 Haken et al.
 7,932,898 B2 4/2011 Phillip et al.
 7,939,742 B2 5/2011 Glaser
 D641,035 S * 7/2011 Opatik D17/14
 7,973,234 B1 7/2011 Yang et al.
 8,003,877 B2 8/2011 Elion
 8,017,857 B2 9/2011 Chiu et al.
 8,022,288 B2 9/2011 Sullivan
 D646,274 S 10/2011 Lim et al.
 D646,682 S 10/2011 Lim et al.
 8,079,901 B2 12/2011 Brosius et al.
 8,093,482 B1 1/2012 Kramer et al.
 8,093,486 B2 1/2012 Behringer et al.
 8,124,863 B2 2/2012 Van Wagoner
 8,144,129 B2 3/2012 Hotelling et al.
 8,173,887 B2 5/2012 Sullivan
 8,182,342 B2 5/2012 Guinchard et al.
 D662,539 S * 6/2012 Mohajerin D17/14
 8,192,040 B2 6/2012 Spurgeon
 8,237,042 B2 8/2012 Scharfeld
 8,242,345 B2 8/2012 Elion
 8,246,461 B2 8/2012 Chiu et al.
 8,303,409 B2 11/2012 Tsubakisawa et al.
 8,373,672 B2 2/2013 Wallace et al.
 8,409,005 B2 4/2013 Nakano et al.
 8,415,550 B2 4/2013 Sullivan
 8,419,516 B2 4/2013 Masuda et al.
 8,450,593 B2 5/2013 Ierymenko et al.
 8,469,812 B2 6/2013 Chiu et al.
 8,471,138 B2 6/2013 Wallace et al.
 8,476,519 B2 7/2013 Liotta

D688,297 S * 8/2013 Graham D17/14
 D688,299 S * 8/2013 Davies D17/20
 8,500,555 B2 8/2013 Hayasaka et al.
 8,514,185 B2 8/2013 Hotelling
 8,539,368 B2 9/2013 Nam et al.
 8,581,083 B2 11/2013 Van Wagone
 8,608,566 B2 12/2013 Guinchard et al.
 8,614,389 B2 12/2013 Wallace et al.
 8,618,398 B2 12/2013 Van Wagoner et al.
 2005/0132866 A1 * 6/2005 Sawhney et al. 84/291
 2005/0211051 A1 * 9/2005 Petersen 84/290
 2006/0196338 A1 * 9/2006 Orred et al. 84/293
 2008/0236374 A1 10/2008 Kramer et al.
 2008/0268954 A1 10/2008 Li
 2009/0088250 A1 4/2009 Carlson et al.
 2009/0131170 A1 5/2009 Yow et al.
 2009/0258702 A1 10/2009 Flores et al.
 2009/0264199 A1 10/2009 Meske
 2009/0291756 A1 11/2009 McCauley et al.
 2010/0009749 A1 1/2010 Chrzanowski, Jr. et al.
 2010/0033426 A1 2/2010 Grant et al.
 2010/0083807 A1 4/2010 Sullivan
 2010/0304865 A1 12/2010 Picunko et al.
 2011/0028214 A1 2/2011 Bright et al.
 2012/0036982 A1 2/2012 Sullivan
 2012/0071238 A1 3/2012 Bala et al.
 2012/0231862 A1 9/2012 Yamamoto
 2012/0240751 A1 9/2012 Yonetani
 2013/0174717 A1 7/2013 Butera et al.
 2013/0180384 A1 7/2013 Van Wagoner et al.
 2013/0190092 A1 7/2013 Adams
 2014/0047968 A1 * 2/2014 Bagale 84/267

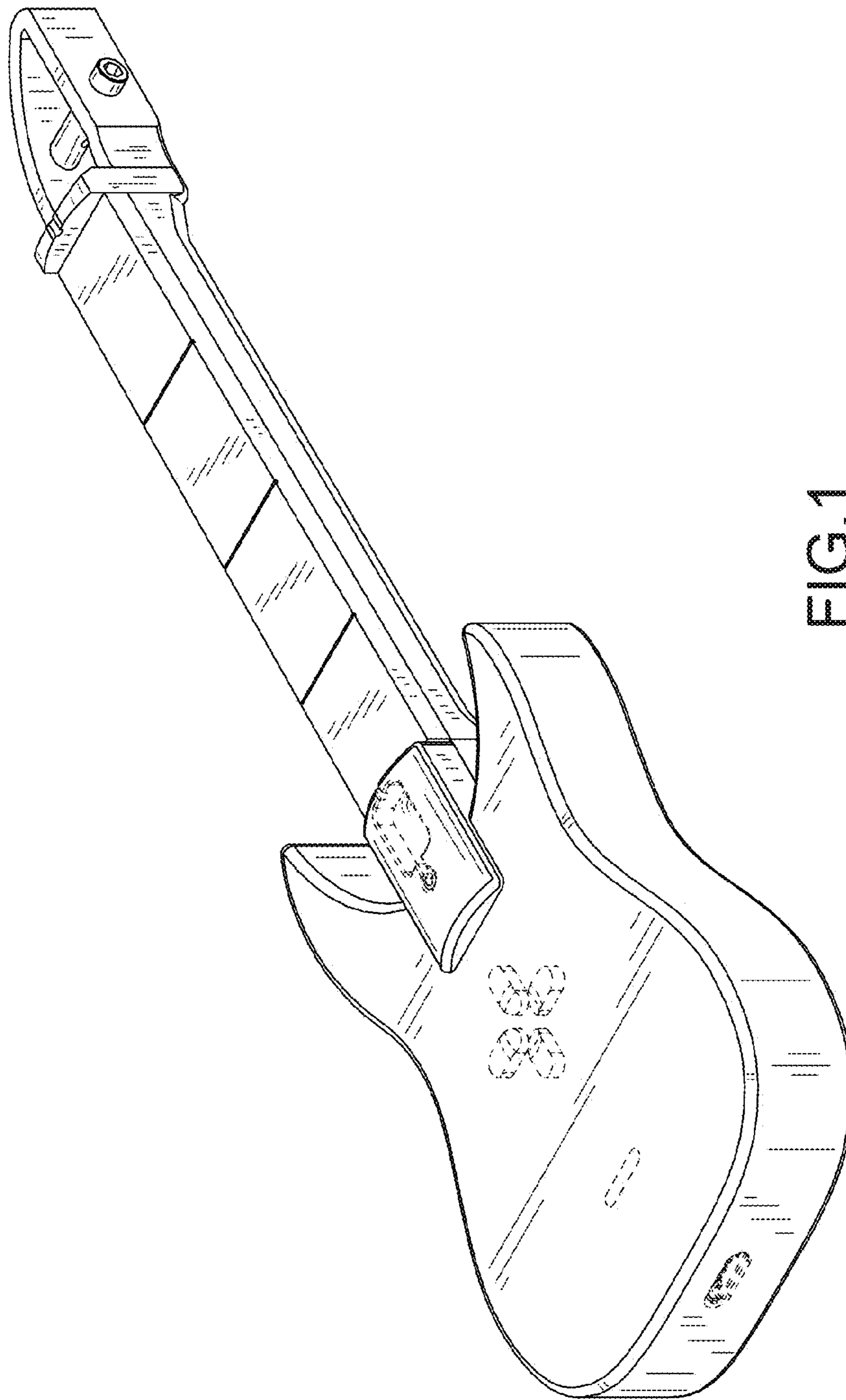
FOREIGN PATENT DOCUMENTS

FR 00248710 0 A2 * 1/1982
 FR 002499277 A2 * 8/1982
 FR 2932098 A1 12/2009
 FR 2932099 A1 12/2009
 FR 2949070 A1 2/2011
 WO WO 2007132235 A2 * 11/2007

OTHER PUBLICATIONS

Moen, Gamertell's Game Gear and Cool Toys 2010 Holiday Gift Guide, Technology Tell, Nov. 24, 2010, 8 pages. <http://www.technologytell.com/gaming/63427/gamertells-game-gear-2010-holiday-gift-guide/>.

* cited by examiner



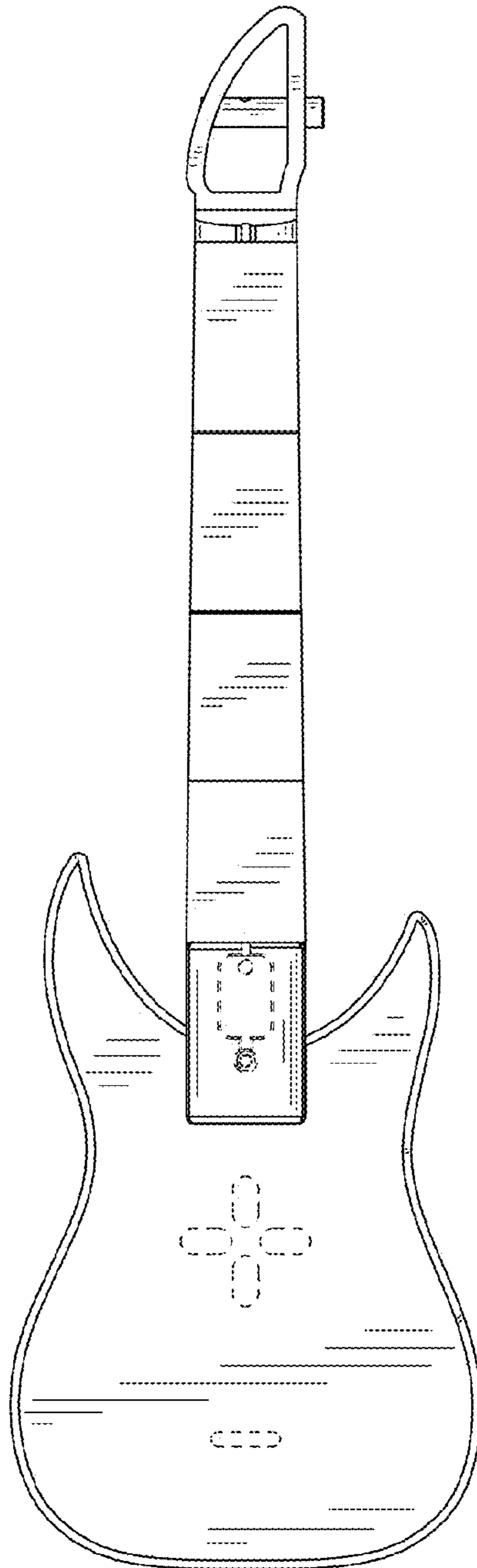


FIG. 2

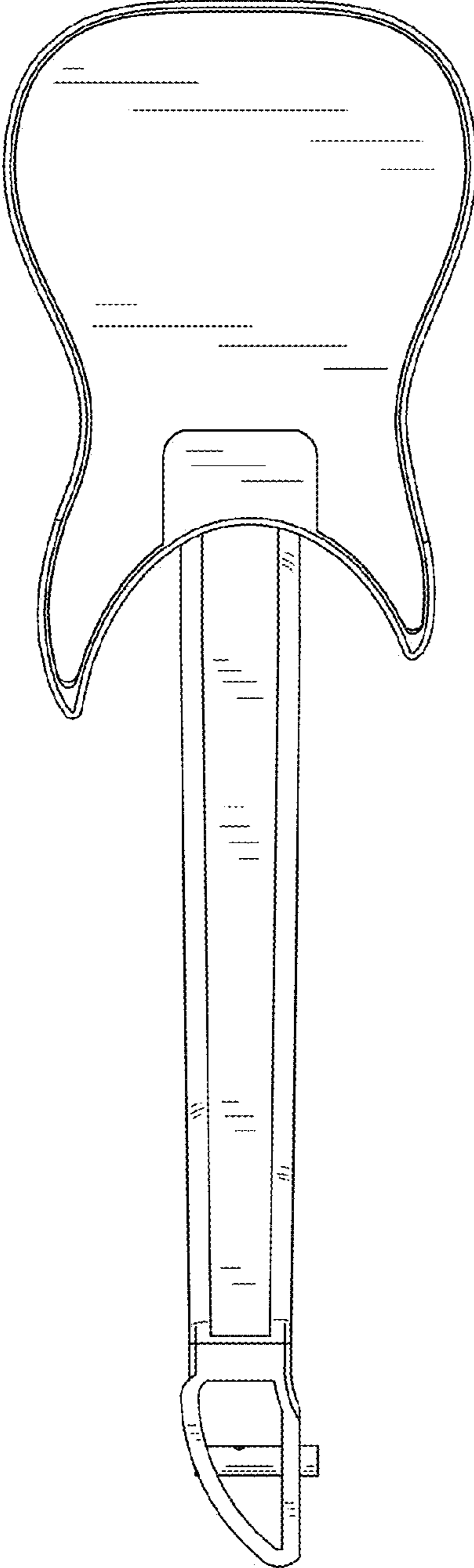


FIG.3

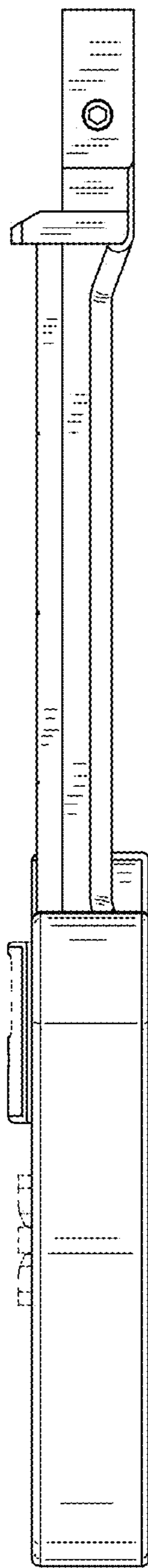


FIG.4

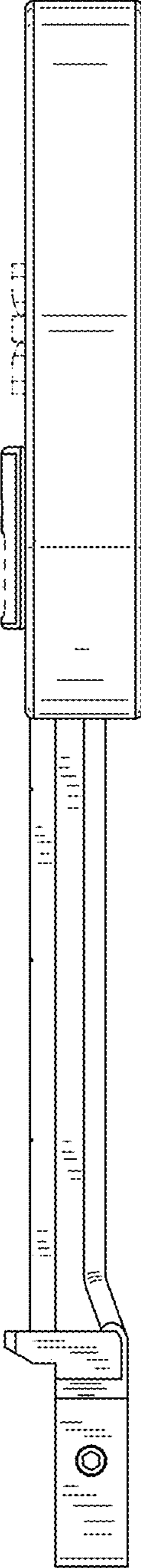


FIG.5

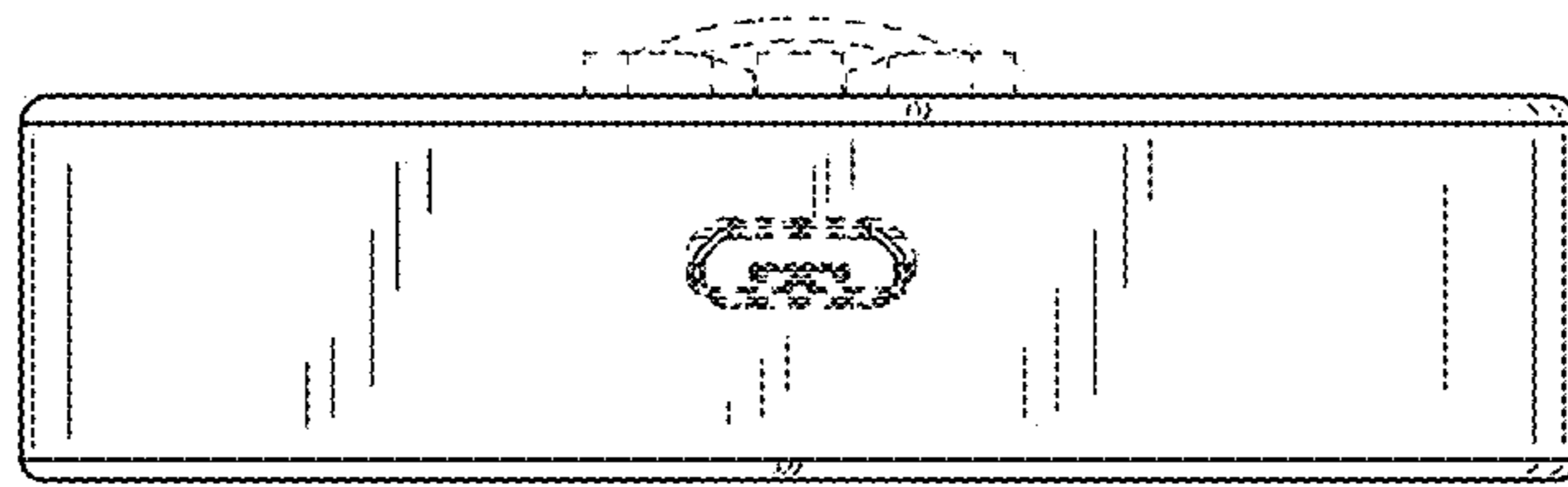


FIG. 6

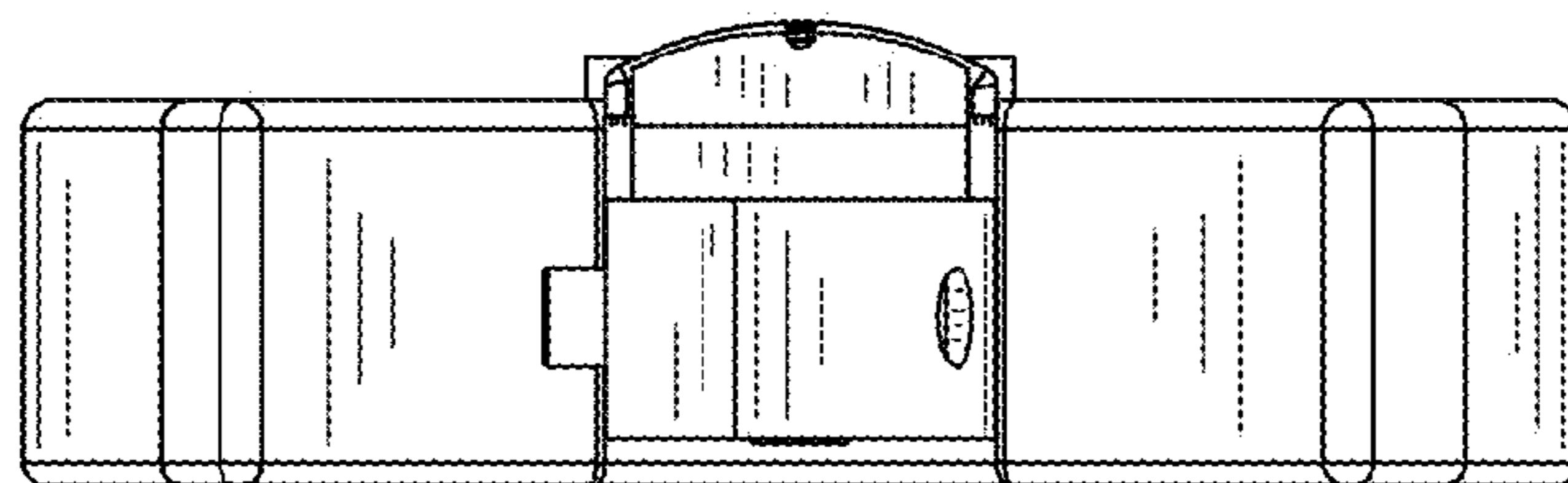


FIG. 7