



US00D723096S

(12) **United States Design Patent**
Dick et al.

(10) **Patent No.:** **US D723,096 S**
(45) **Date of Patent:** **** Feb. 24, 2015**

(54) **EYEGLASS FRAMES**

(71) Applicants: **Stephen M. Dick**, Kirtland, OH (US);
Loren Naji, Kirtland, OH (US);
Elizabeth S. Morris, Gates Mills, OH (US)

(72) Inventors: **Stephen M. Dick**, Kirtland, OH (US);
Loren Naji, Kirtland, OH (US);
Elizabeth S. Morris, Gates Mills, OH (US)

(**) Term: **14 Years**

(21) Appl. No.: **29/485,715**

(22) Filed: **Mar. 21, 2014**

(51) **LOC (10) Cl.** **16-06**

(52) **U.S. Cl.**
USPC **D16/315**

(58) **Field of Classification Search**
USPC D16/101, 300–342, 900; D29/109–110;
351/41, 44, 51–52, 62, 158, 92,
351/103–123, 140–153, 63, 59, 45–46;
2/426–432, 447–449, 441, 434–437,
2/13, 15; D21/483, 659–661; D14/372
See application file for complete search history.

(56) **References Cited**

U.S. PATENT DOCUMENTS

D171,030 S * 12/1953 Courtney D16/315
D197,305 S * 1/1964 Magnuson D16/315

D209,016 S * 10/1967 Weissman D16/315
D327,716 S * 7/1992 Conway D16/317
5,949,515 A * 9/1999 Hoshino 351/41
D436,613 S * 1/2001 Chao D16/315
6,174,059 B1 * 1/2001 Haley 351/41
D437,340 S * 2/2001 Hsieh Yeh D16/315
D451,119 S * 11/2001 Koevari D16/315
RE37,640 E * 4/2002 Conner 351/158
D479,552 S * 9/2003 Emanuele D16/309
D518,846 S * 4/2006 Krefman D16/315

* cited by examiner

Primary Examiner — Raphael Barkai

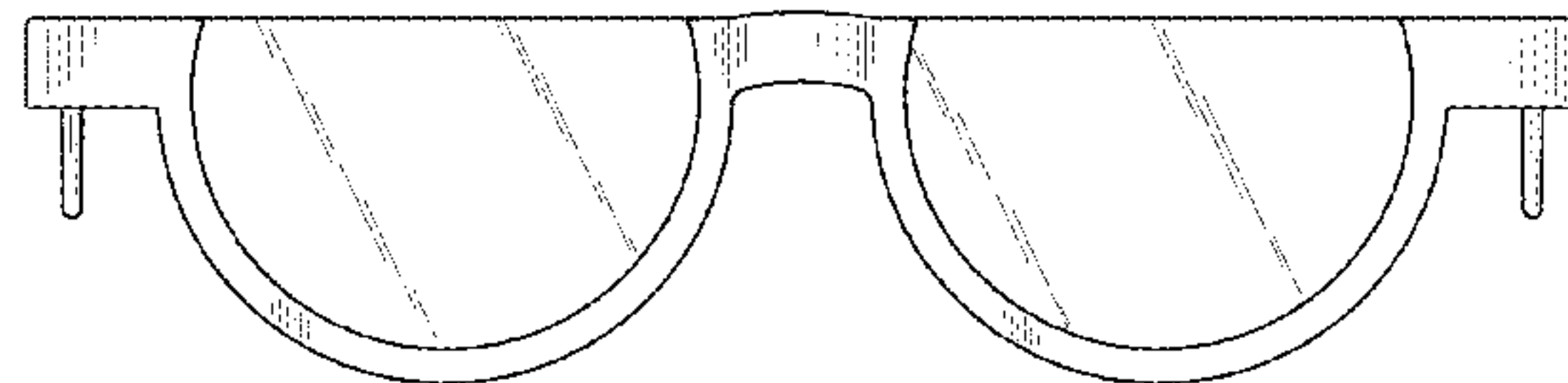
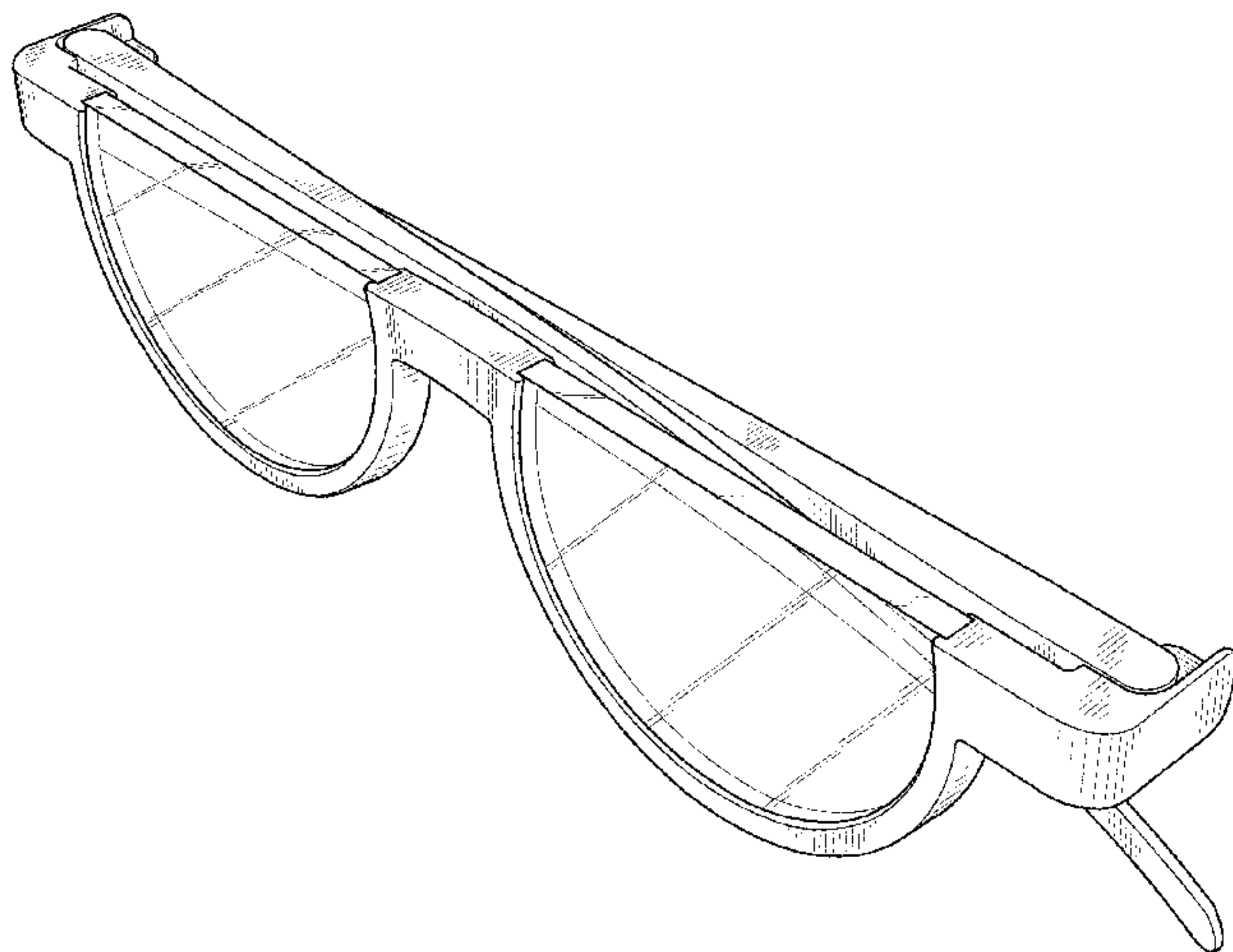
(57) **CLAIM**

The ornamental design for an eyeglass frames, as shown and described.

DESCRIPTION

FIG. 1 is a perspective front view of eyeglass frames showing the design with the ear arms in a closed position;
FIG. 2 is a top view of the eyeglass frames design of FIG. 1 with the ear arms in a closed position;
FIG. 3 is a bottom view of the eyeglass frames design of FIG. 2 with the ear arms in an open position;
FIG. 4 is a front view of the eyeglass frames design of FIG. 3;
FIG. 5 is a rear view of the eyeglass frames design of FIG. 3;
FIG. 6 is a right side view of the eyeglass frames design of FIG. 3; and,
FIG. 7 is a left side view of the eyeglass frames design of FIG. 3.

1 Claim, 3 Drawing Sheets



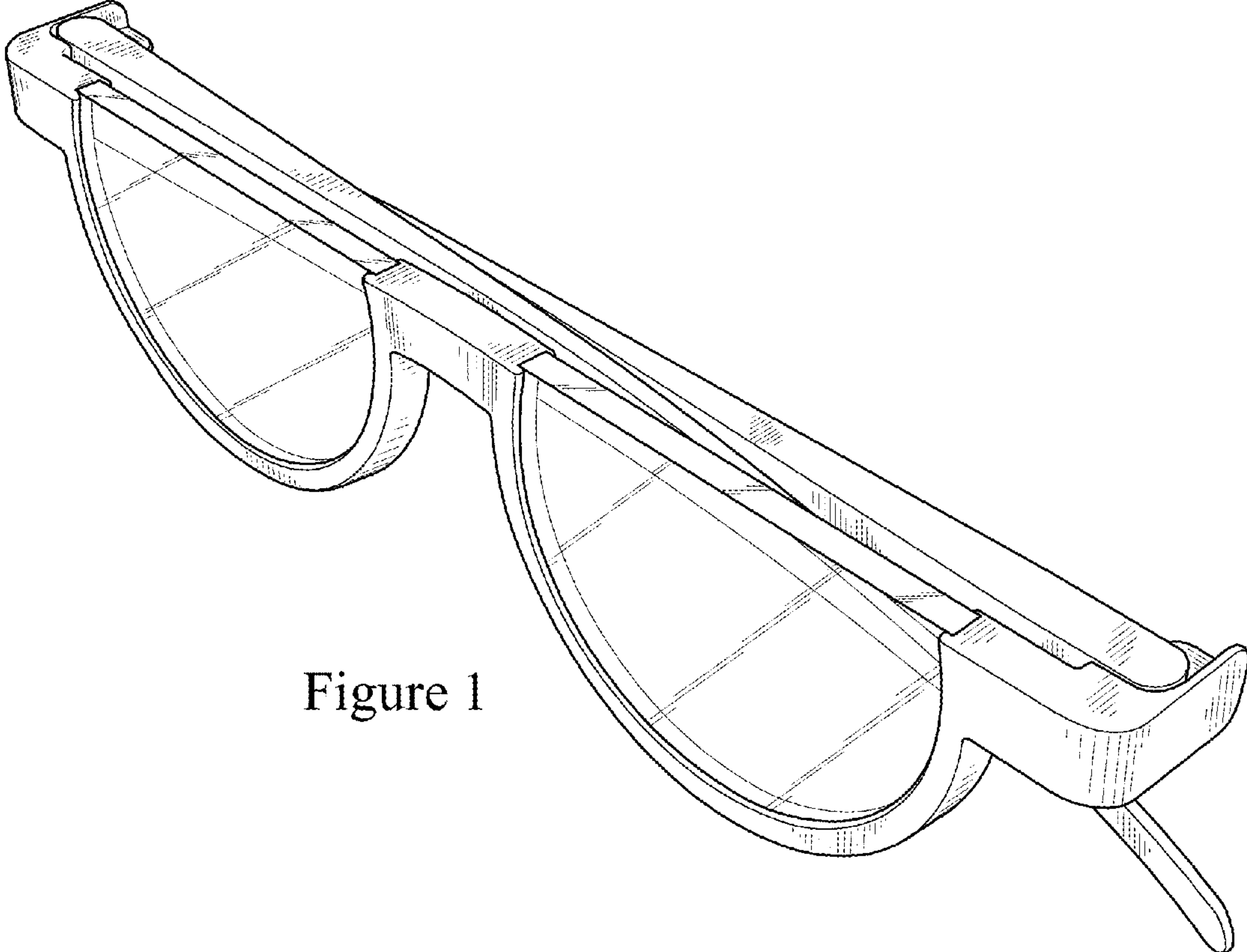


Figure 1

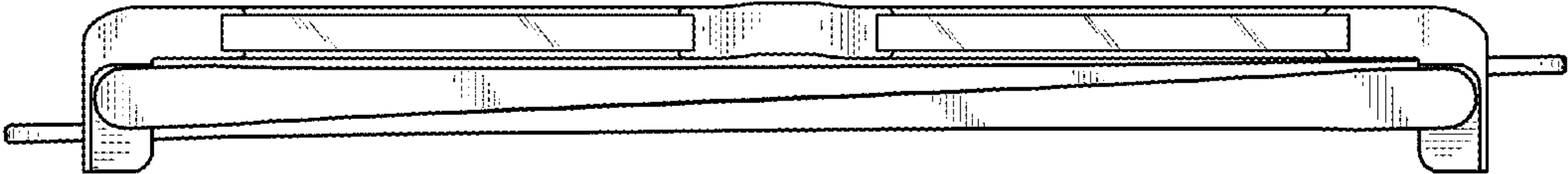


Figure 2

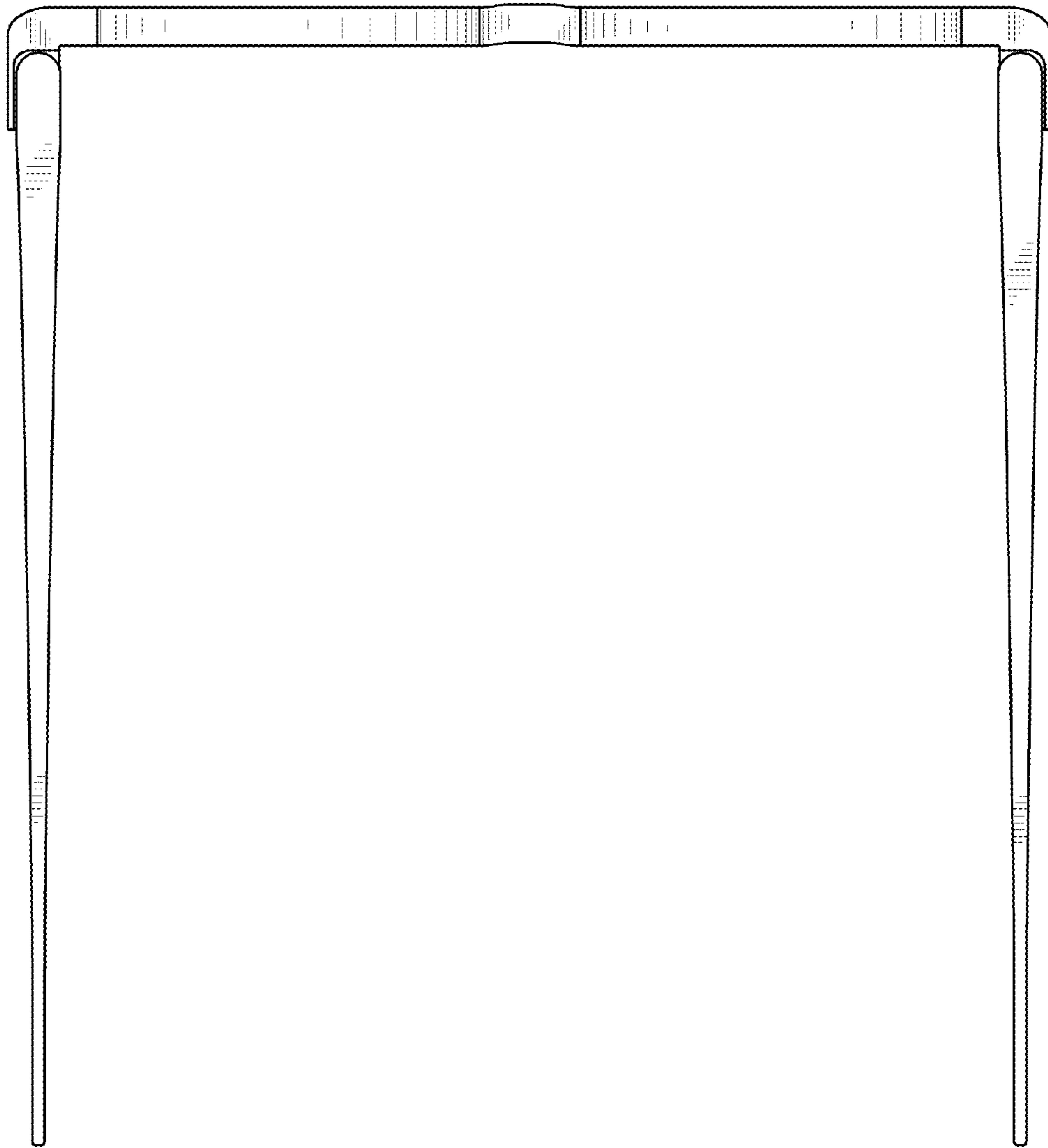


Figure 3

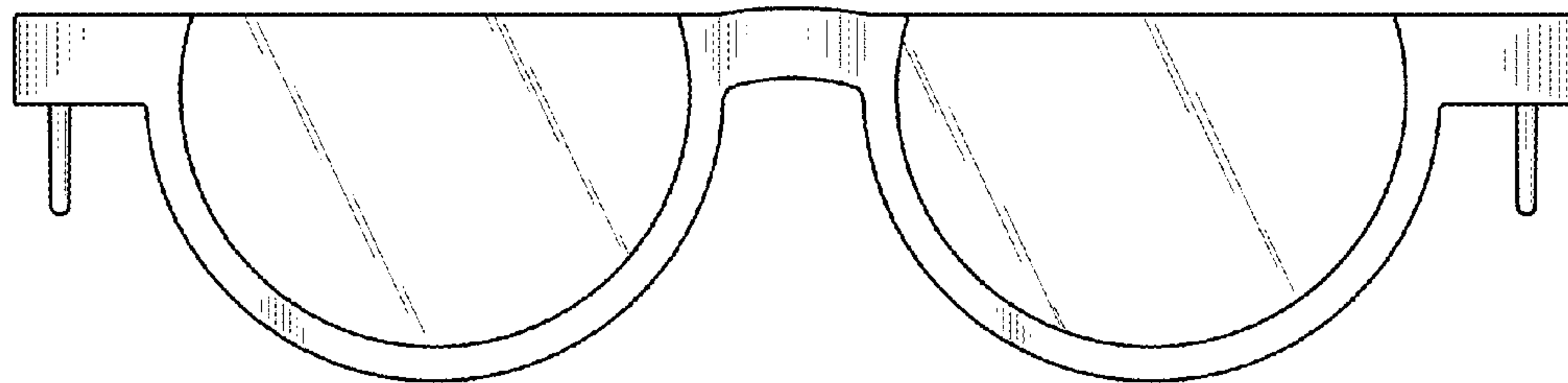


Figure 4

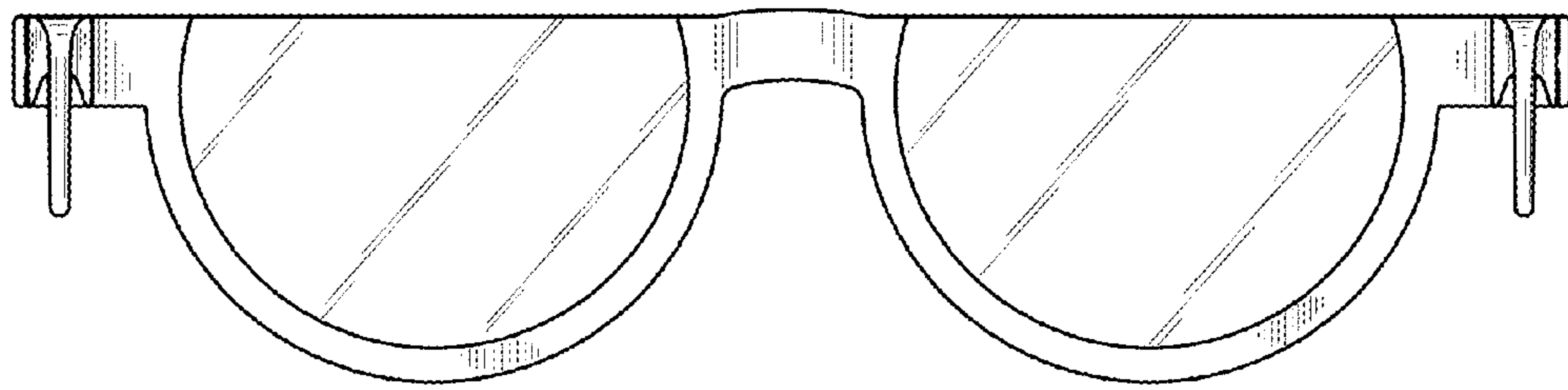


Figure 5

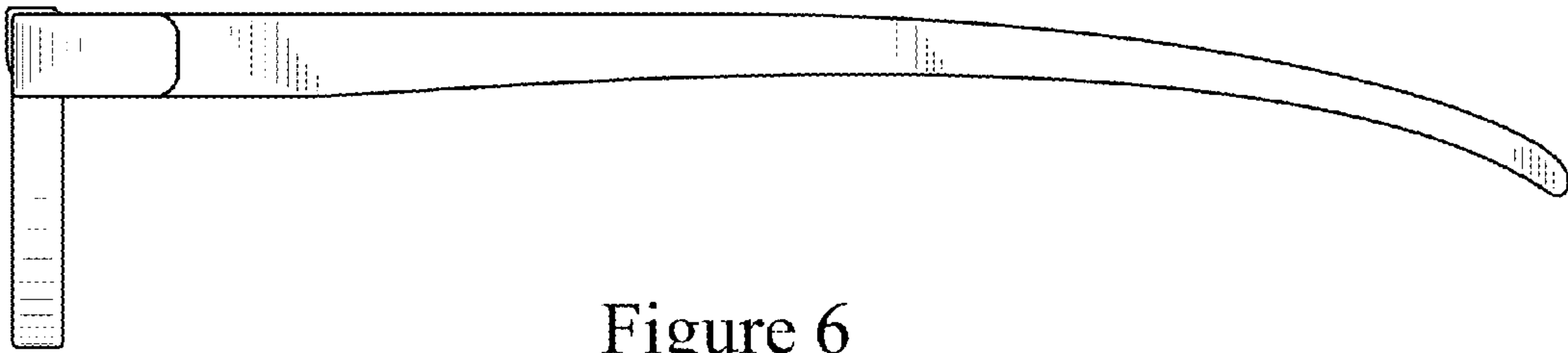


Figure 6

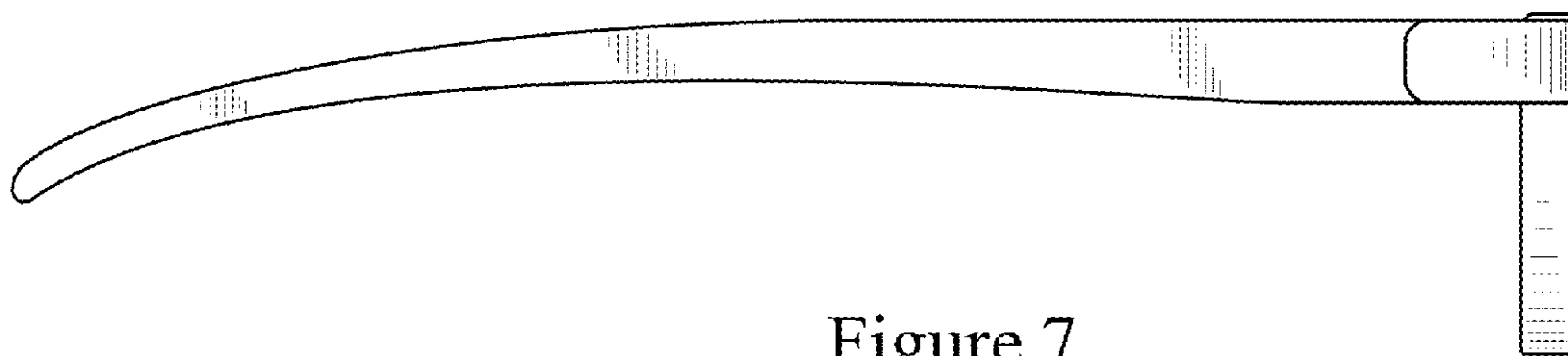


Figure 7