



US00D723093S

(12) **United States Design Patent**
Li

(10) **Patent No.:** **US D723,093 S**

(45) **Date of Patent:** **** Feb. 24, 2015**

(54) **HIGH DEFINITION GLASSES CAMERA**

(71) Applicant: **Weihua Li**, Lianyuan (CN)

(72) Inventor: **Weihua Li**, Lianyuan (CN)

(**) Term: **14 Years**

(21) Appl. No.: **29/501,679**

(22) Filed: **Sep. 8, 2014**

(30) **Foreign Application Priority Data**

Aug. 13, 2014 (CN) 2014 3 0285814

(51) **LOC (10) Cl.** **16-06**

(52) **U.S. Cl.**
USPC **D16/309**

(58) **Field of Classification Search**
CPC G02C 2200/08; G02C 1/06
USPC D16/101, 300-342, 900; D29/109-110;
351/41, 44, 51-52, 62, 158, 92,
351/103-123, 140-153, 63, 59, 45-46;
2/426-432, 447-449, 441, 434-437,
2/13, 15; D21/483, 659-661; D14/372

See application file for complete search history.

(56) **References Cited**

U.S. PATENT DOCUMENTS

D645,492 S *	9/2011	Zhao	D16/309
D645,493 S *	9/2011	Zhao	D16/309
D646,316 S *	10/2011	Zhao	D16/309
D685,019 S *	6/2013	Li	D16/309
D687,087 S *	7/2013	Iurilli	D16/326
D708,658 S *	7/2014	Lane	D16/300
2010/0045928 A1 *	2/2010	Levy	351/158

* cited by examiner

Primary Examiner — Raphael Barkai

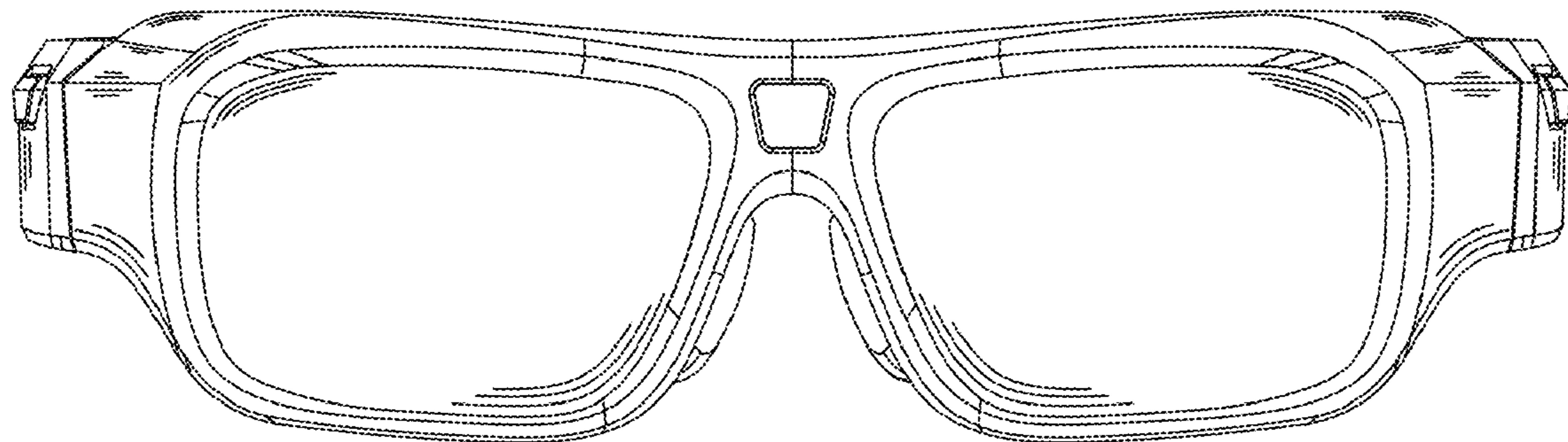
(57) **CLAIM**

The ornamental design for a high definition glasses camera, as shown and described.

DESCRIPTION

FIG. 1 is a front elevational view of a high definition glasses camera showing my new design;
FIG. 2 is a rear elevational view thereof;
FIG. 3 is a left side view thereof;
FIG. 4 is a right side view thereof;
FIG. 5 is a top plan view thereof;
FIG. 6 is a bottom plan view thereof;
FIG. 7 is a first perspective view thereof;
FIG. 8 is a second perspective view thereof;
FIG. 9 is a third perspective view thereof; and,
FIG. 10 is a fourth perspective view thereof.

1 Claim, 9 Drawing Sheets



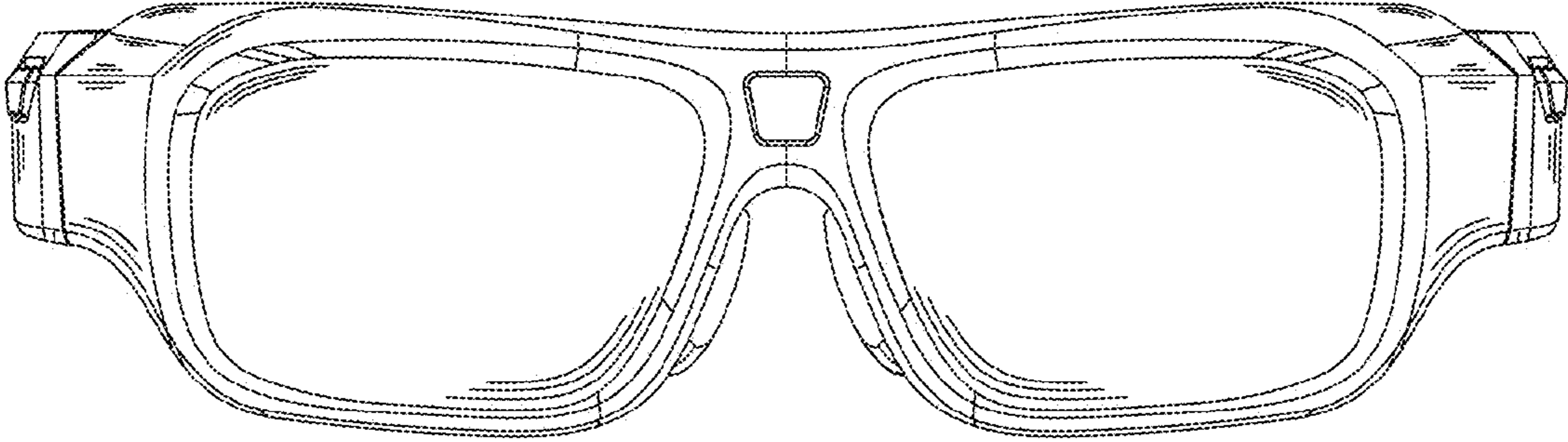


Fig.1

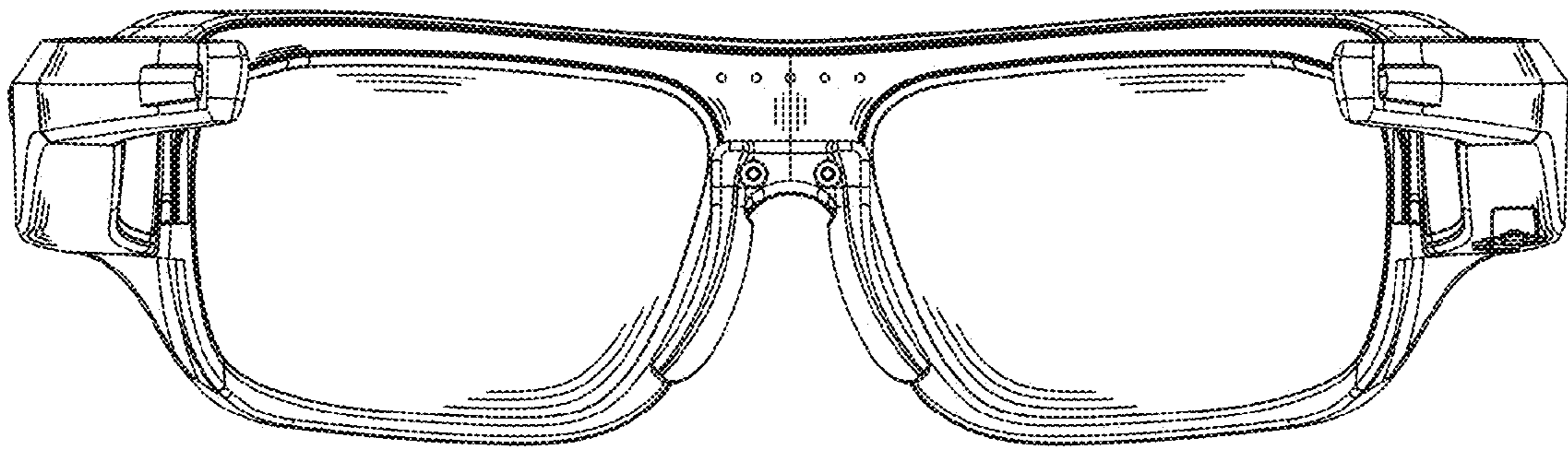


Fig.2

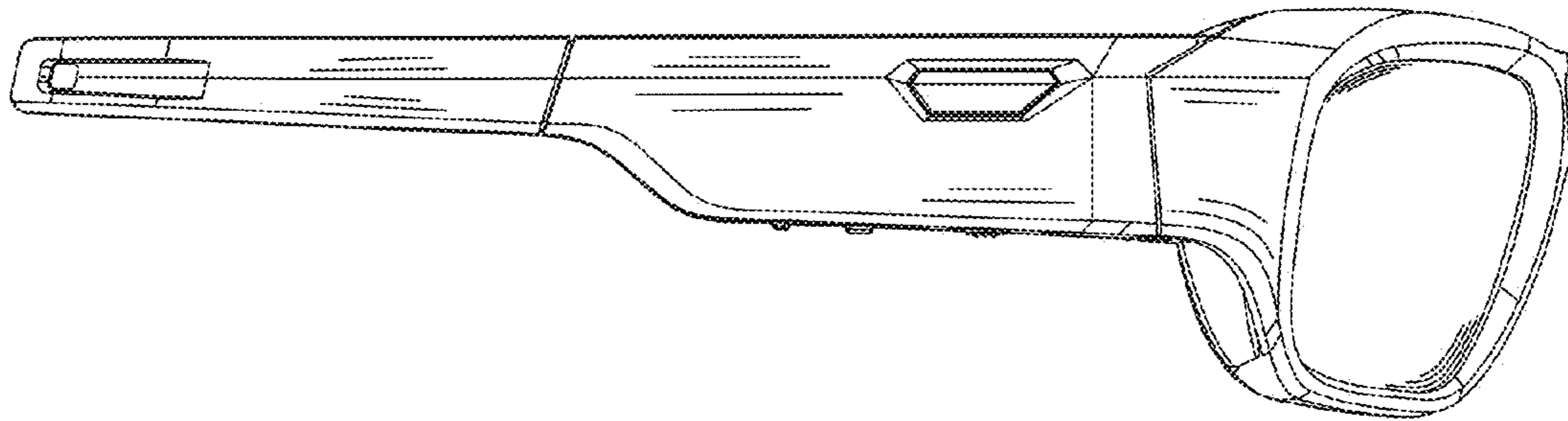


Fig.3

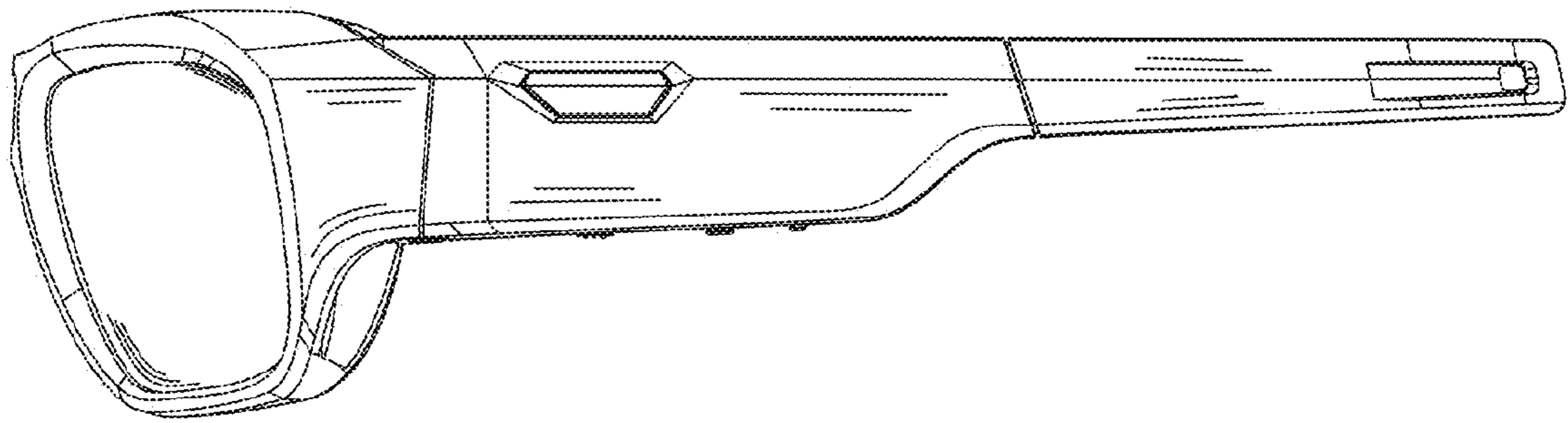


Fig.4

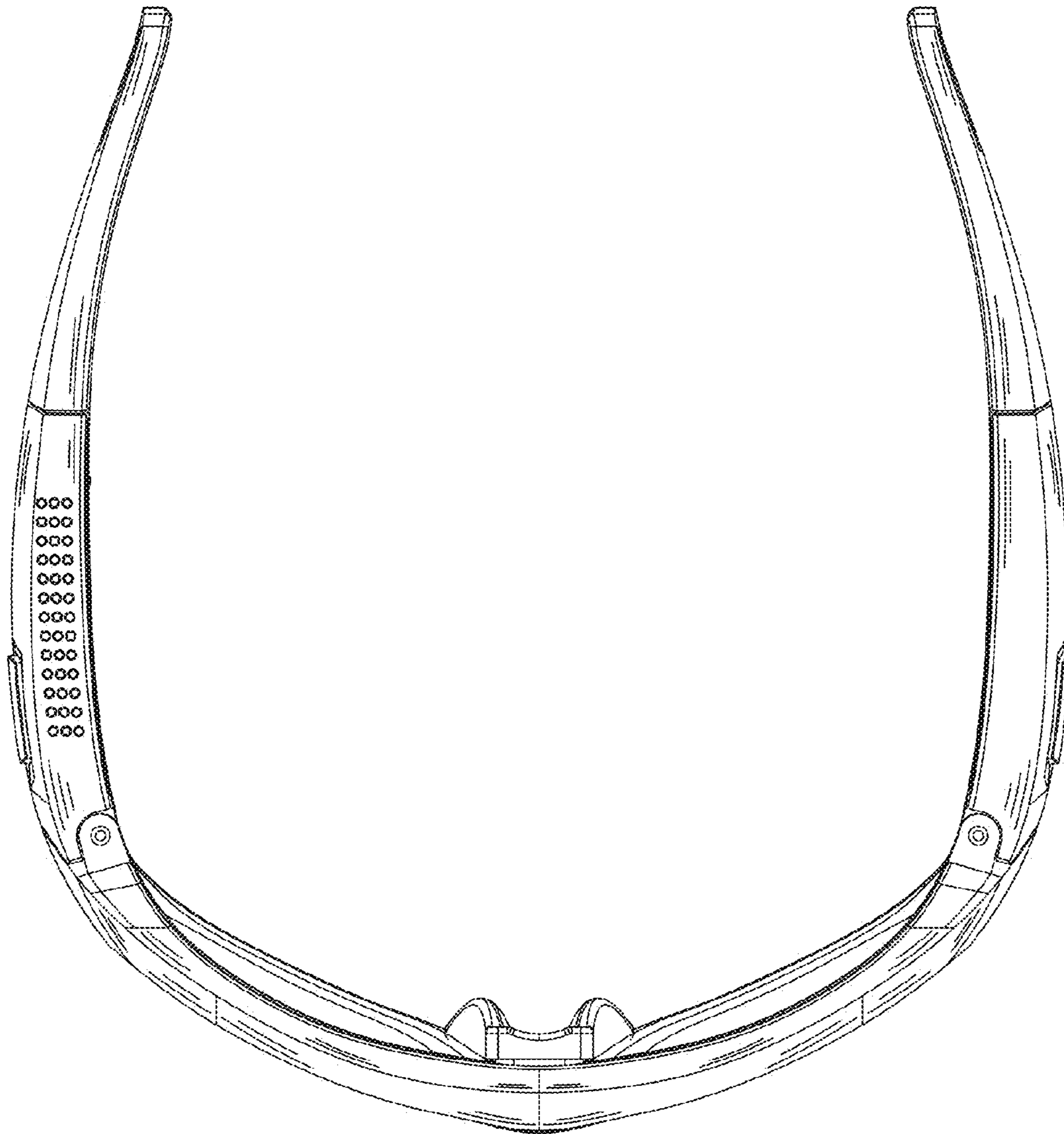


Fig.5

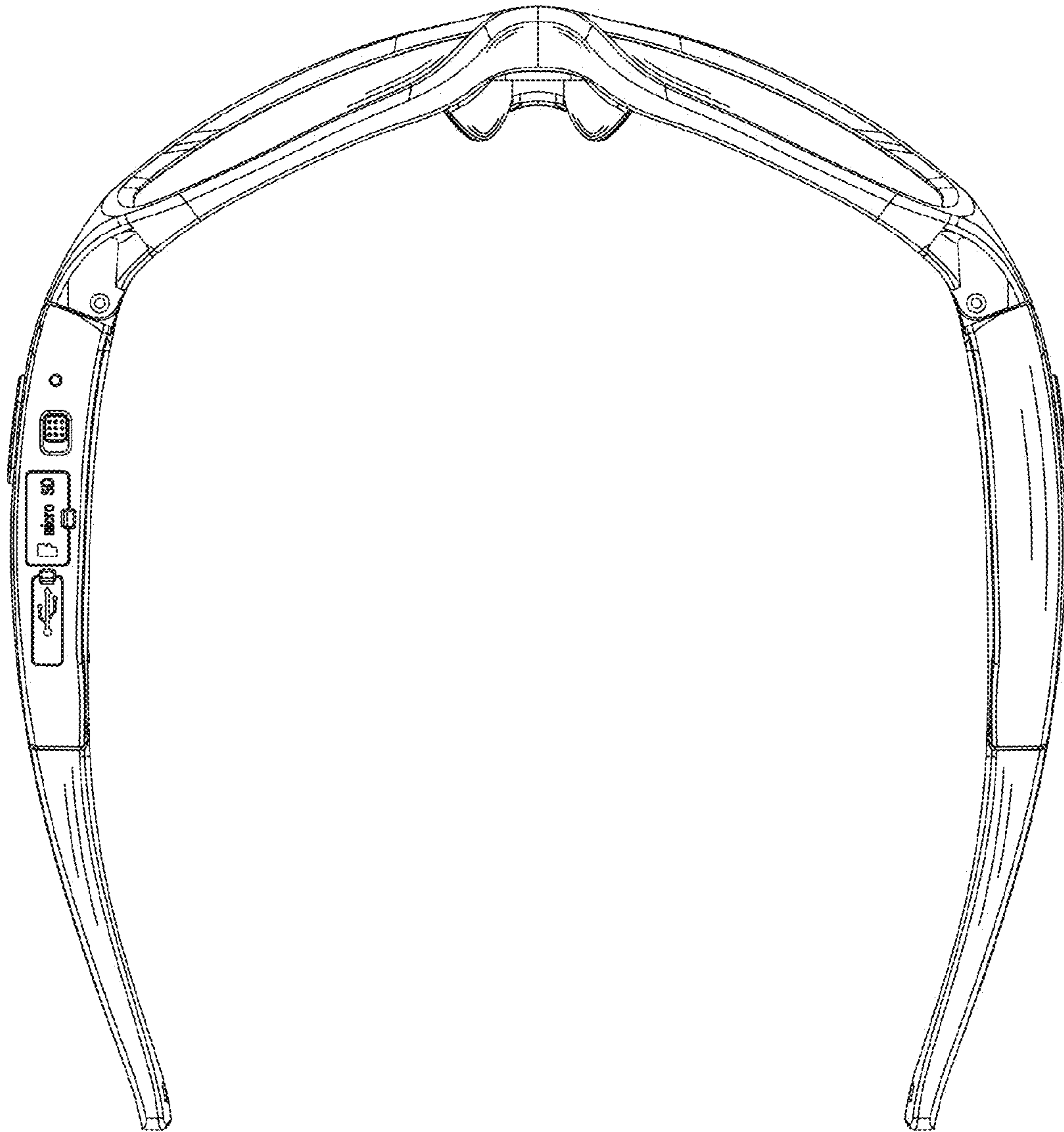


Fig.6

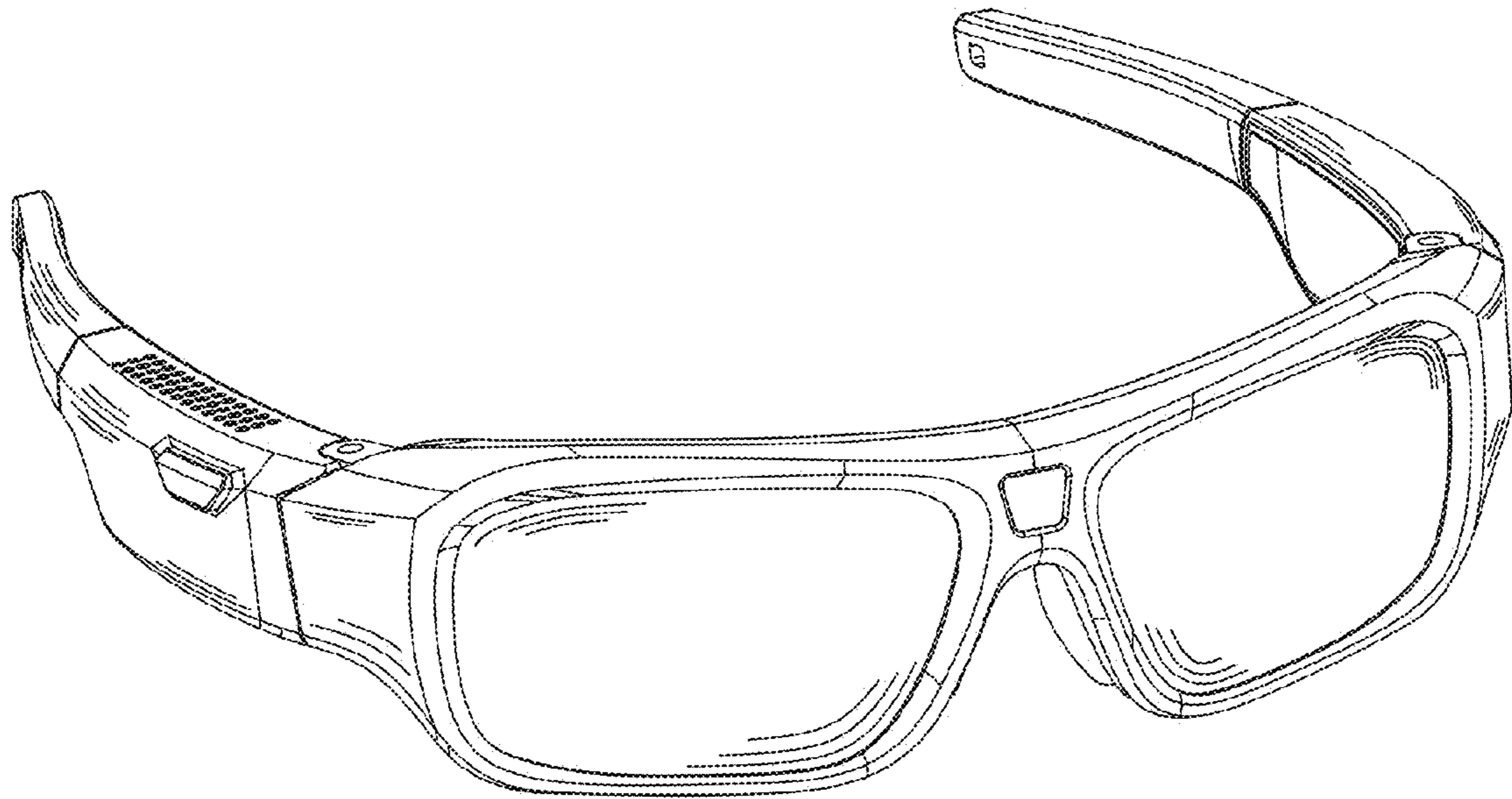


Fig.7

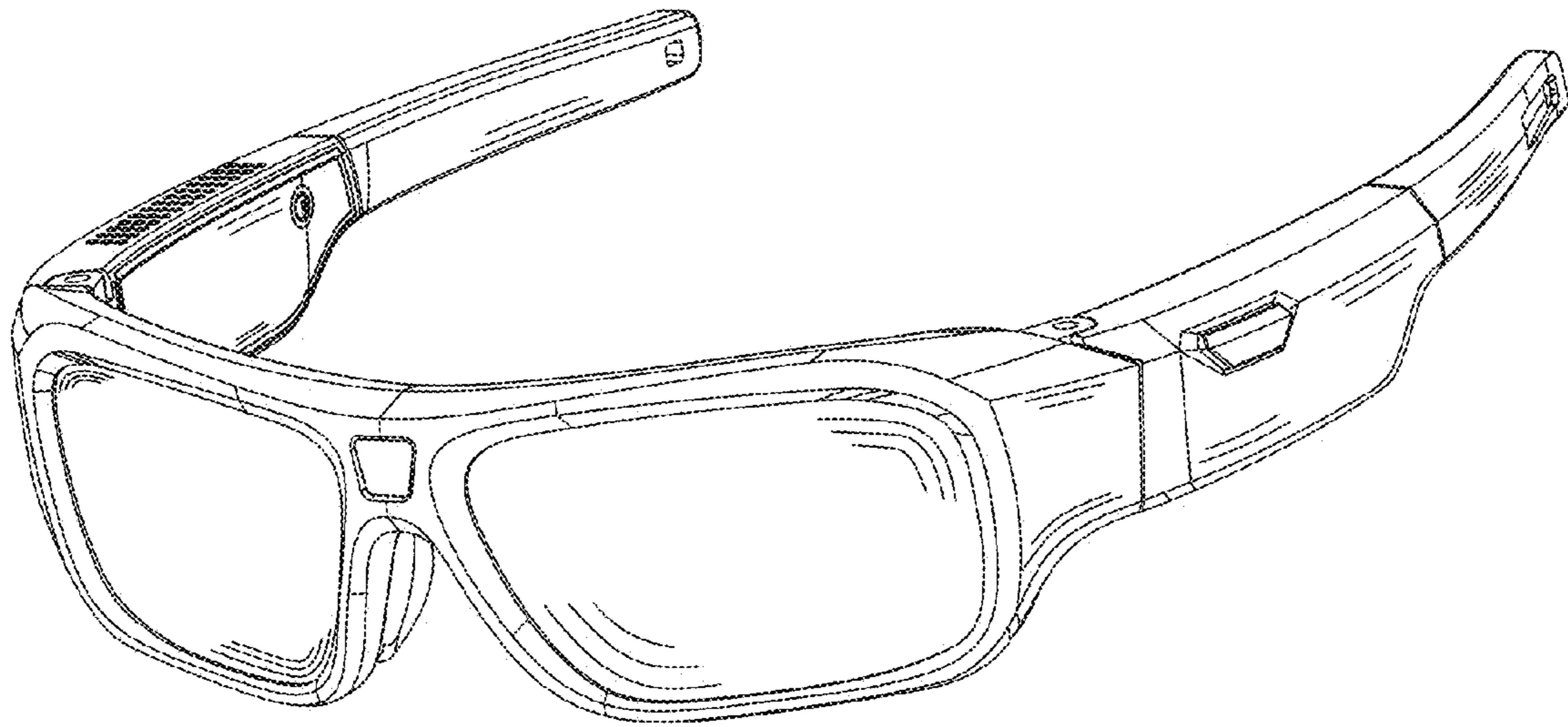


Fig.8

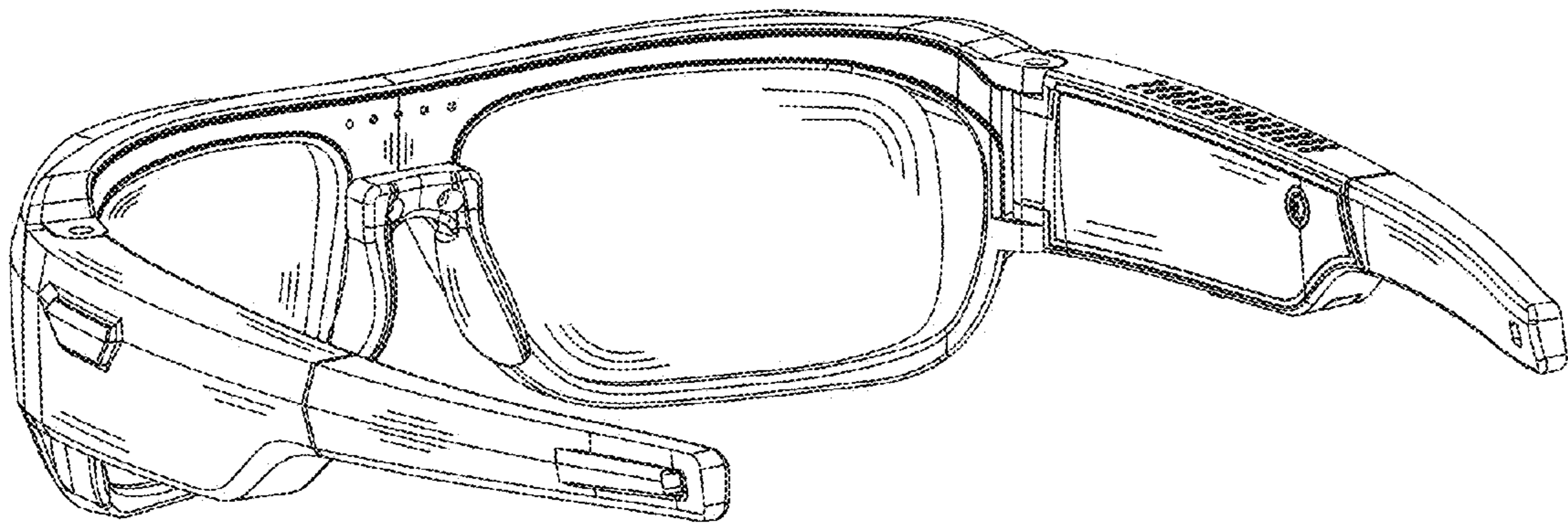


Fig.9