



US00D723089S

(12) **United States Design Patent**  
**Teppan et al.**

(10) **Patent No.:** **US D723,089 S**

(45) **Date of Patent:** **\*\* Feb. 24, 2015**

(54) **CAMERA BRACKET**

(71) Applicant: **Cisco Technology, Inc.**, San Jose, CA  
(US)

(72) Inventors: **Knut Helge Teppan**, Asker (NO);  
**André Lyngra**, Oslo (NO); **Aslak Schia**,  
Moss (NO); **Bjoern Saunes**, Oslo (NO);  
**Torstein Knutzen**, Oslo (NO)

(73) Assignee: **Cisco Technology, Inc.**, San Jose, CA  
(US)

(\*\*) Term: **14 Years**

(21) Appl. No.: **29/433,062**

(22) Filed: **Sep. 25, 2012**

(51) **LOC (10) Cl.** ..... **16-05**

(52) **U.S. Cl.**  
USPC ..... **D16/242**

(58) **Field of Classification Search**  
USPC ..... D14/447; D16/200, 202, 208, 211, 237,  
D16/242, 243, 244, 245; 248/166-171,  
248/177.1, 178.1, 187.1; 352/243; 396/419,  
396/421, 428  
See application file for complete search history.

(56) **References Cited**

**U.S. PATENT DOCUMENTS**

4,545,660 A \* 10/1985 Rudolf ..... 396/425  
D283,821 S \* 5/1986 Lemmey ..... D16/237  
D446,538 S \* 8/2001 Prather et al. .... D16/242  
D636,397 S \* 4/2011 Green ..... D14/447

D638,021 S \* 5/2011 Derry ..... D14/447  
D658,189 S \* 4/2012 Zhao et al. .... D14/447  
D659,178 S \* 5/2012 Huang et al. .... D16/242

\* cited by examiner

*Primary Examiner* — Susan Bennett Hattan

*Assistant Examiner* — Leanne Was

(74) *Attorney, Agent, or Firm* — Lempia Summerfield Katz  
LLC

(57) **CLAIM**

The ornamental design for a camera bracket, as shown and  
described.

**DESCRIPTION**

FIG. 1 is a front, top, and left side perspective view of a  
camera bracket;  
FIG. 2 is a rear, top, and right side perspective view thereof;  
FIG. 3 is a front elevational view thereof;  
FIG. 4 is a rear elevational view thereof;  
FIG. 5 is a left side elevational view thereof, the right side  
elevational view being a mirror image of the left side eleva-  
tional view shown;  
FIG. 6 is a top plan view thereof;  
FIG. 7 is a bottom plan view thereof;  
FIG. 8 is a left side elevational view thereof, shown in a folded  
position;  
FIG. 9 is a rear elevational view thereof, shown in a folded  
position;  
FIG. 10 is a front elevational view thereof, shown in a folded  
position;  
FIG. 11 is a bottom plan view thereof; shown in a folded  
position; and,  
FIG. 12 is a top plan view thereof, shown in a folded position.  
The broken lines in the drawings depict environmental sub-  
ject matter only and form no part of the claimed design.

**1 Claim, 12 Drawing Sheets**

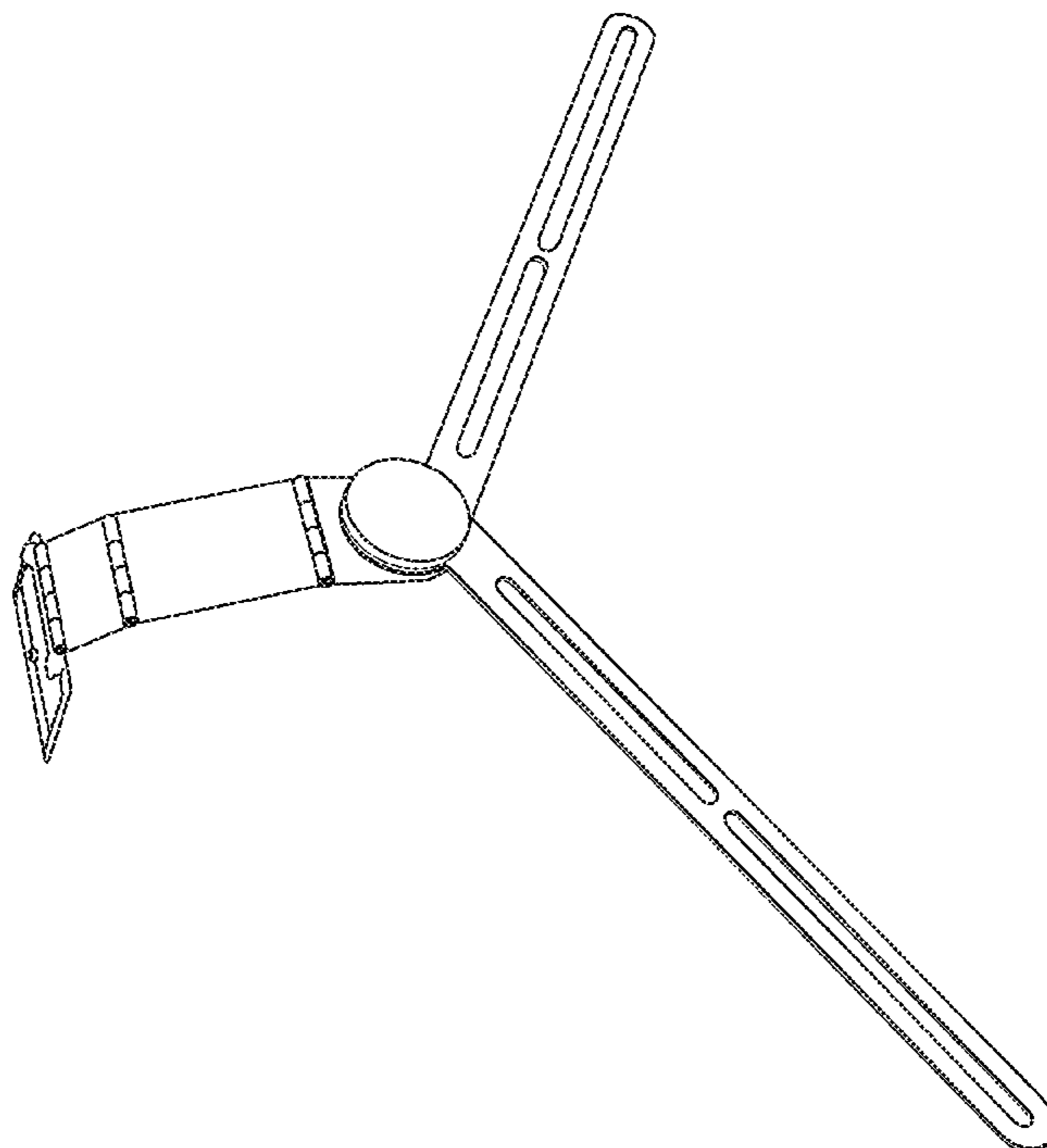


FIG. 1

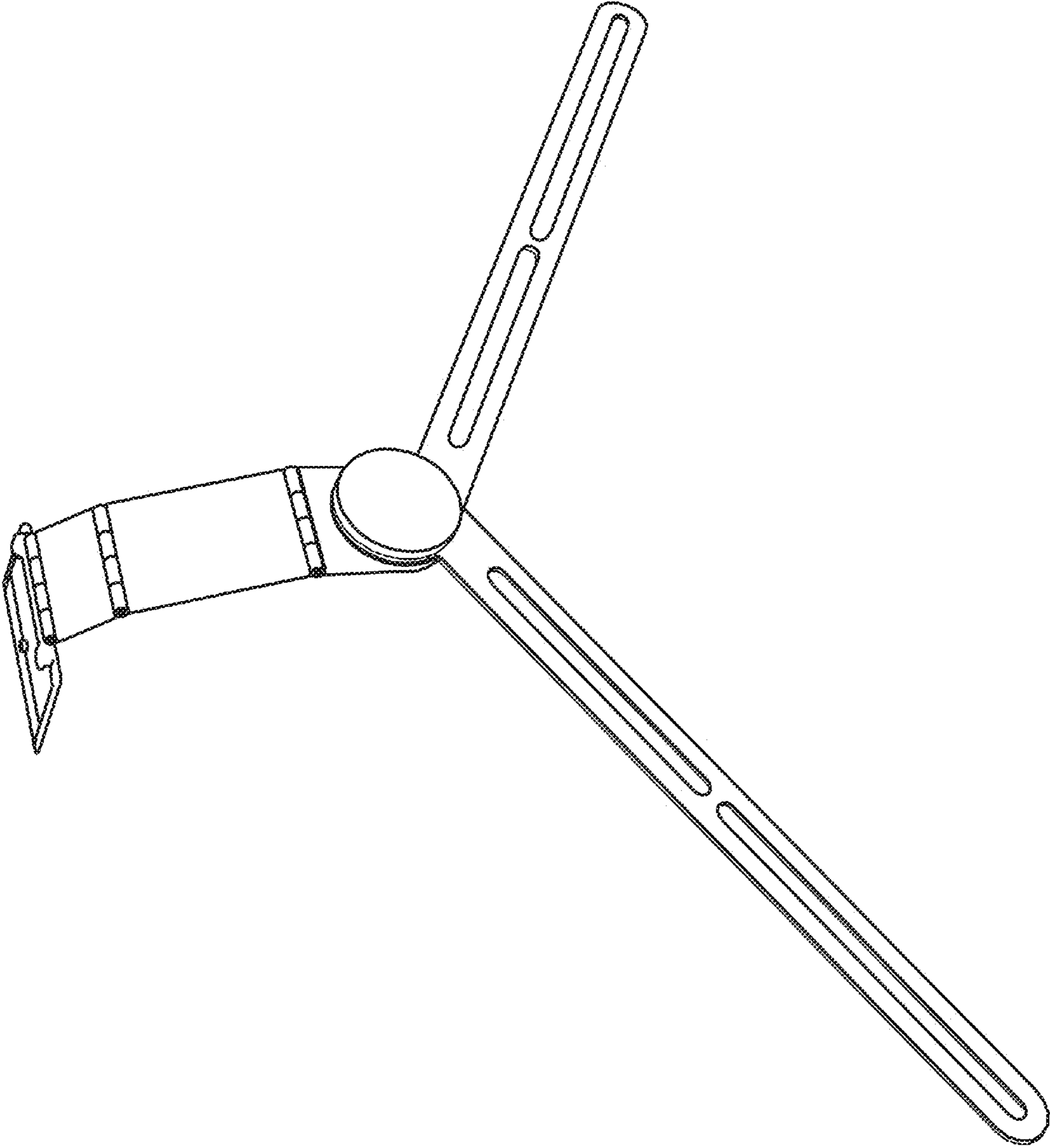


FIG. 2

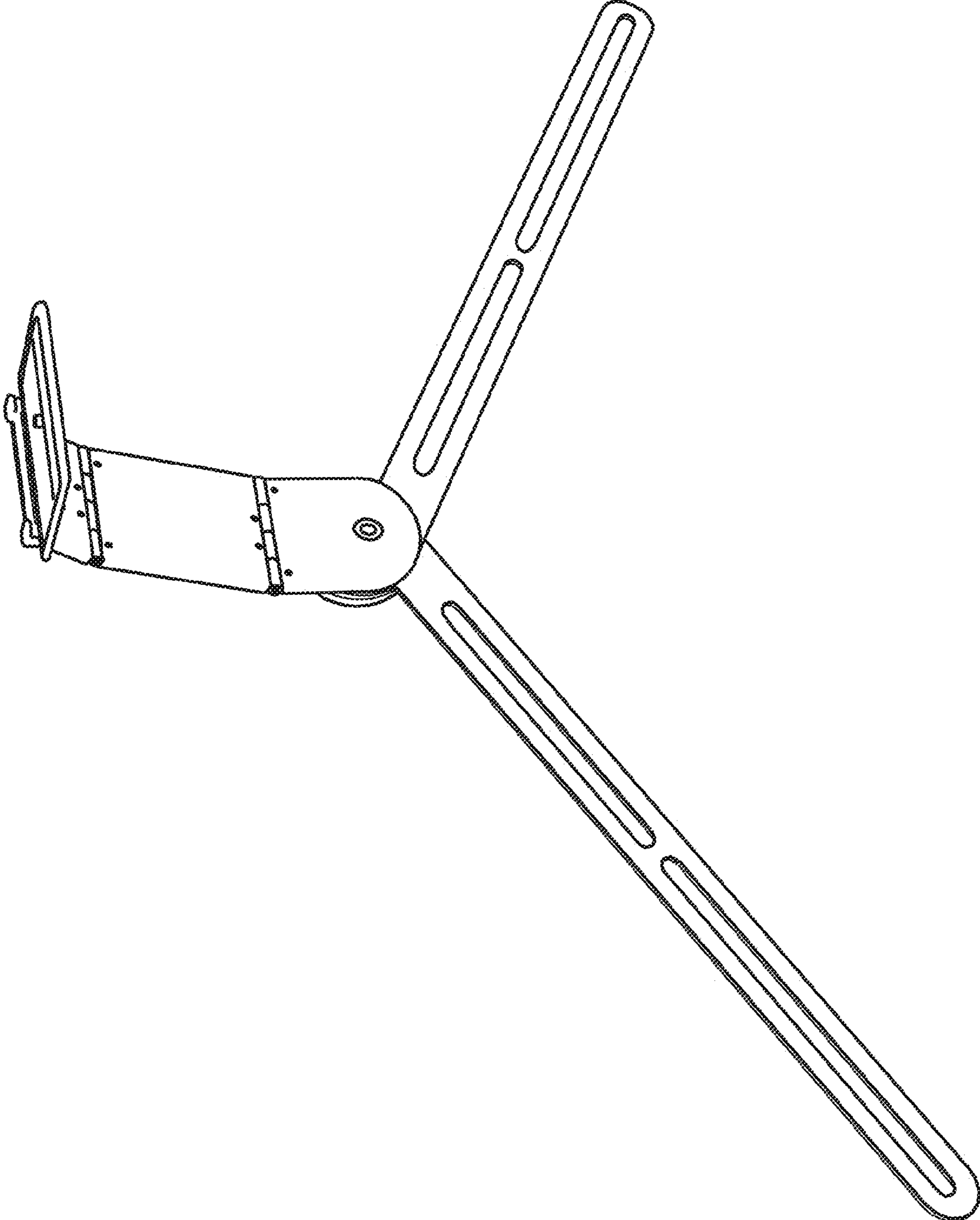


FIG. 3

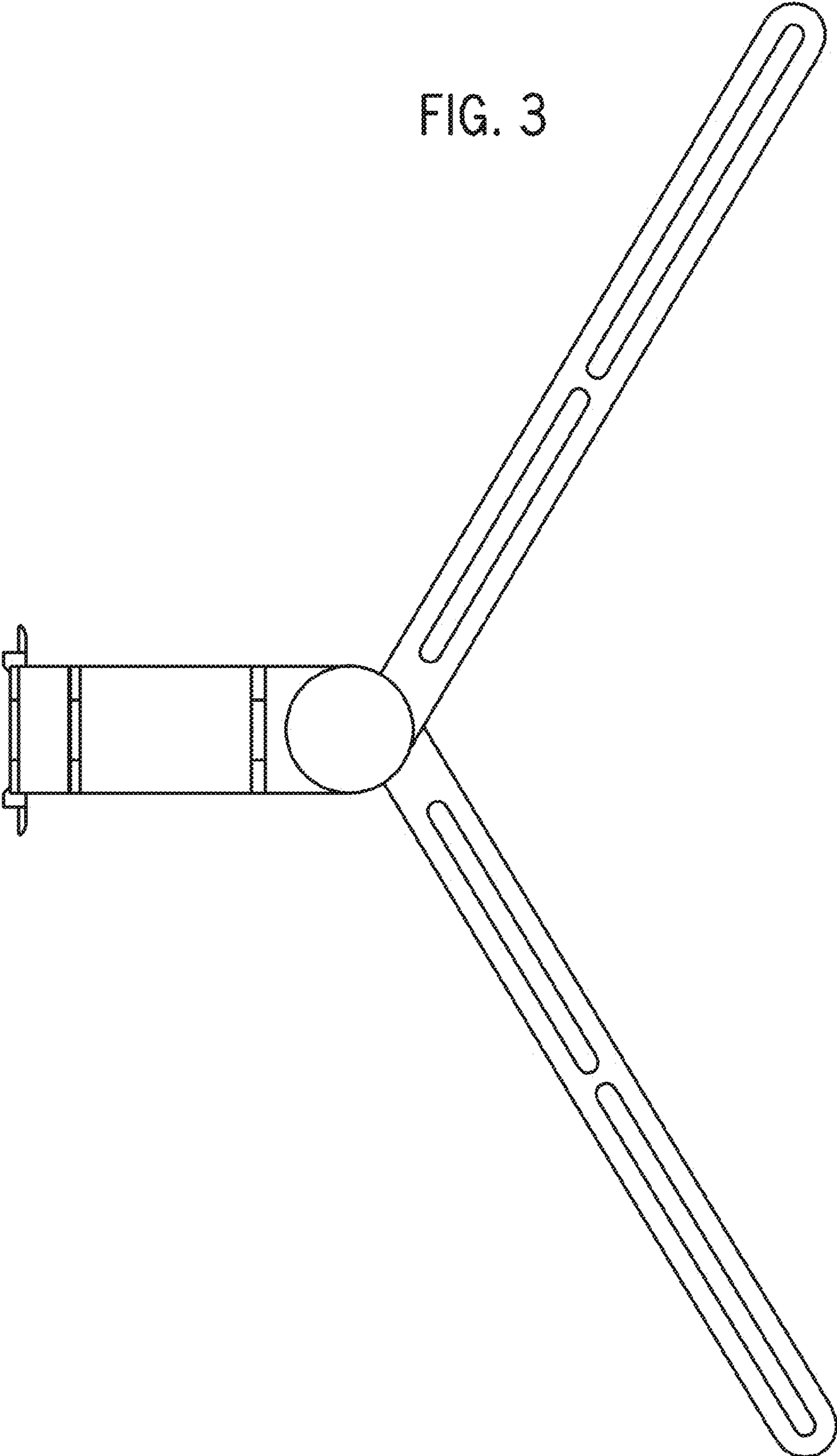


FIG. 4

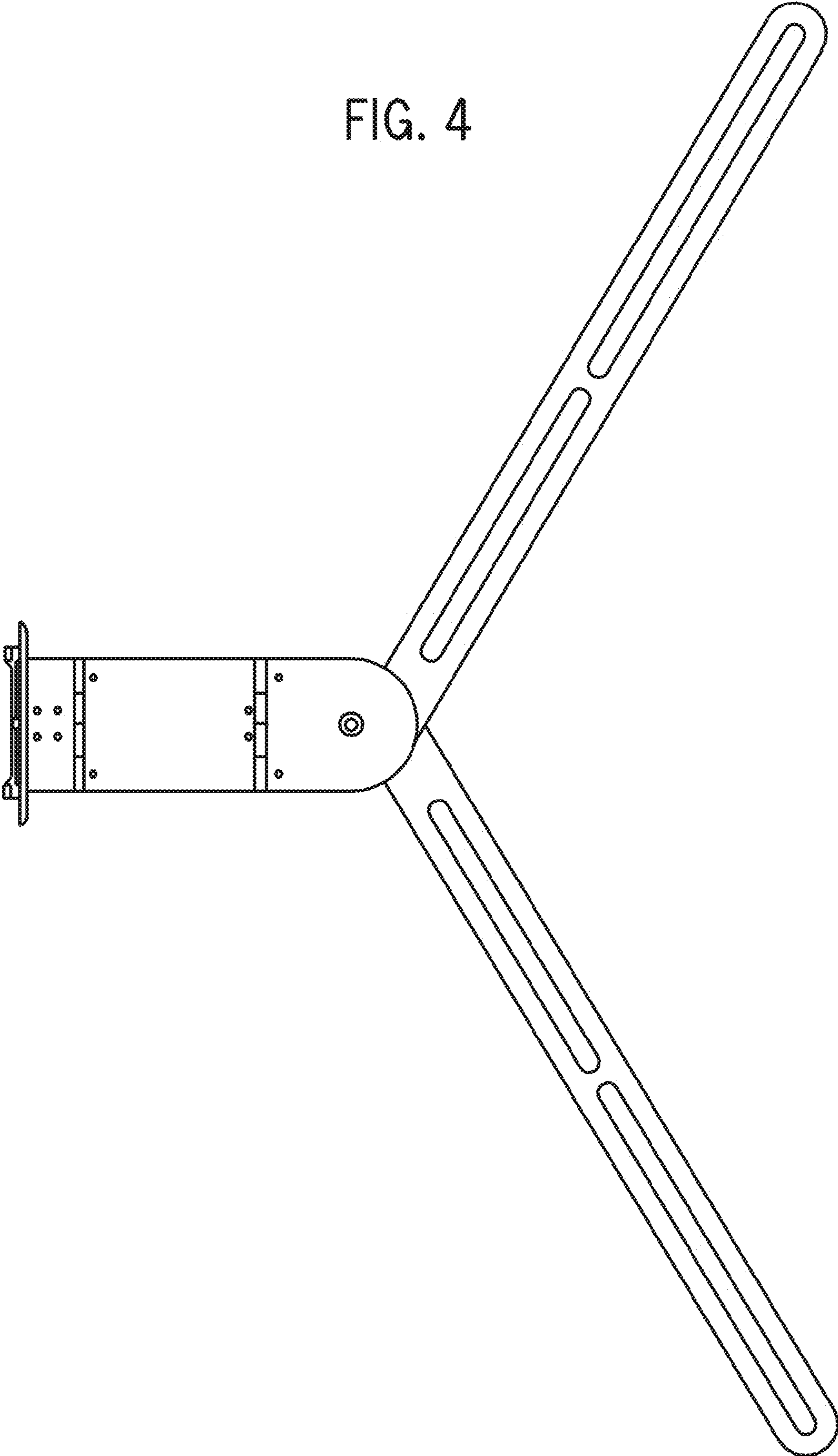


FIG. 5

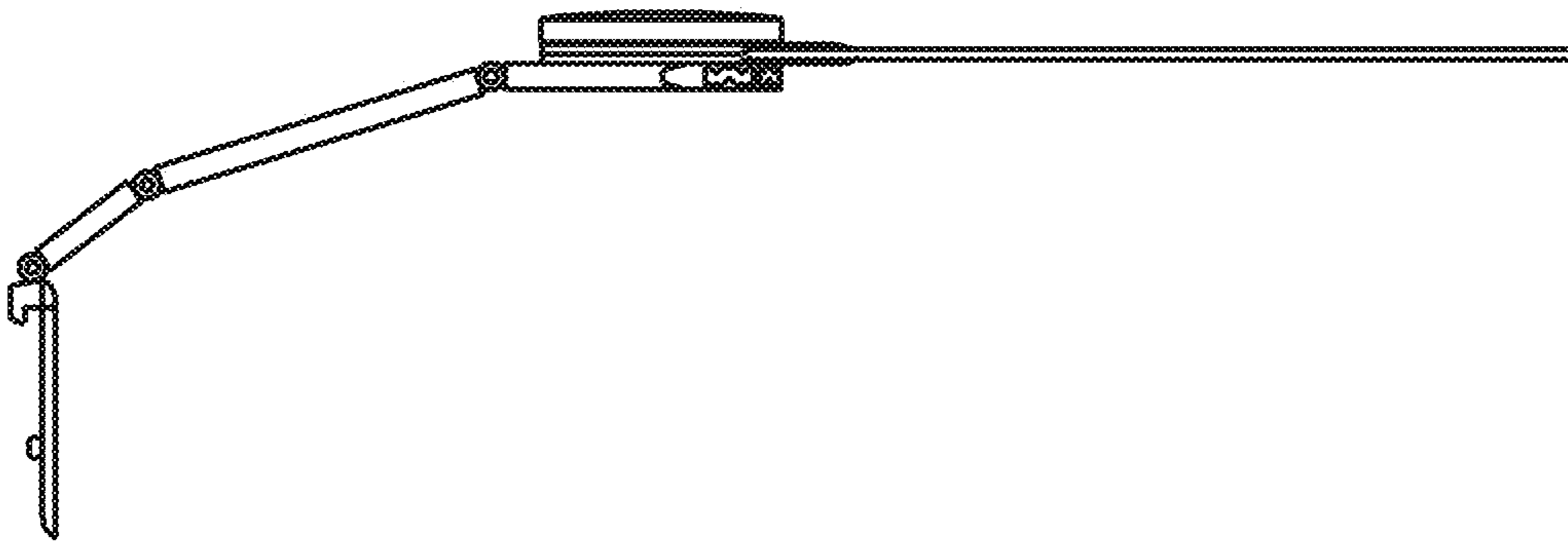


FIG. 6

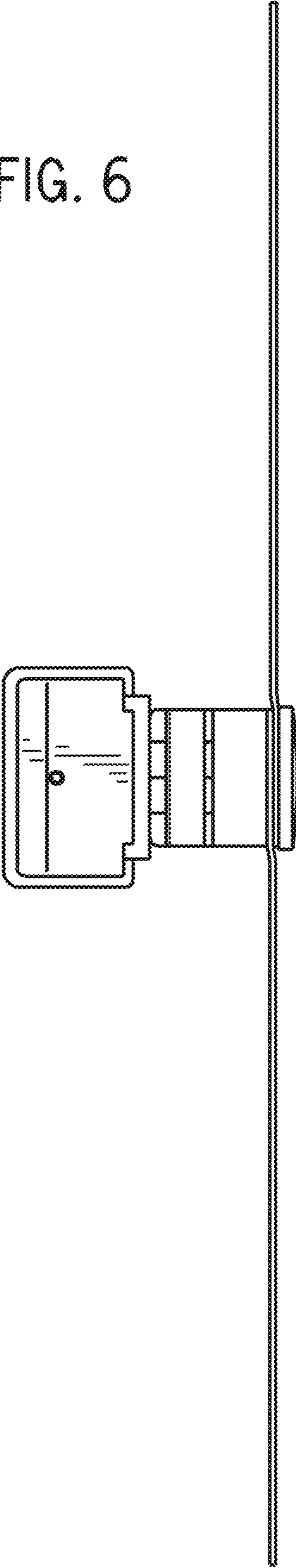


FIG. 7

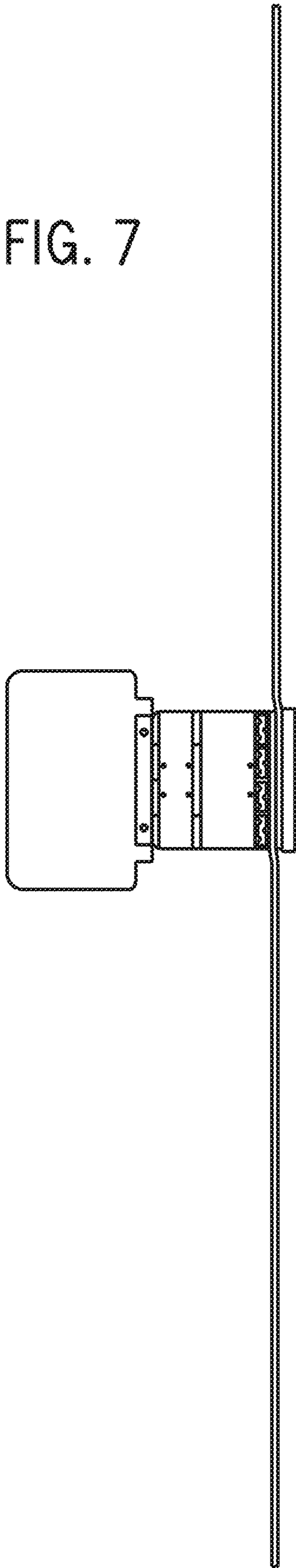




FIG. 8

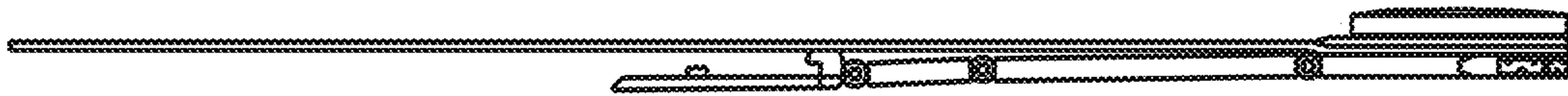


FIG. 9

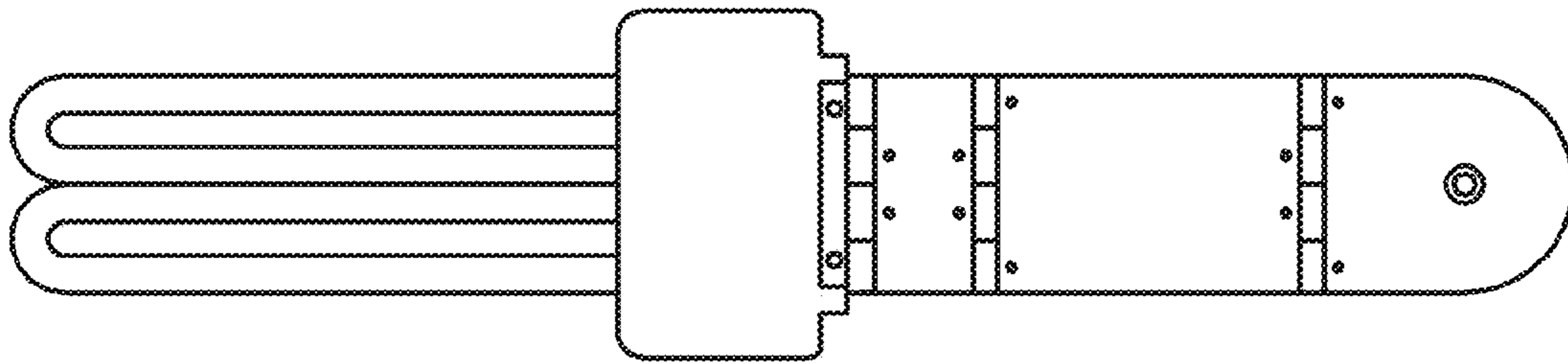


FIG. 10

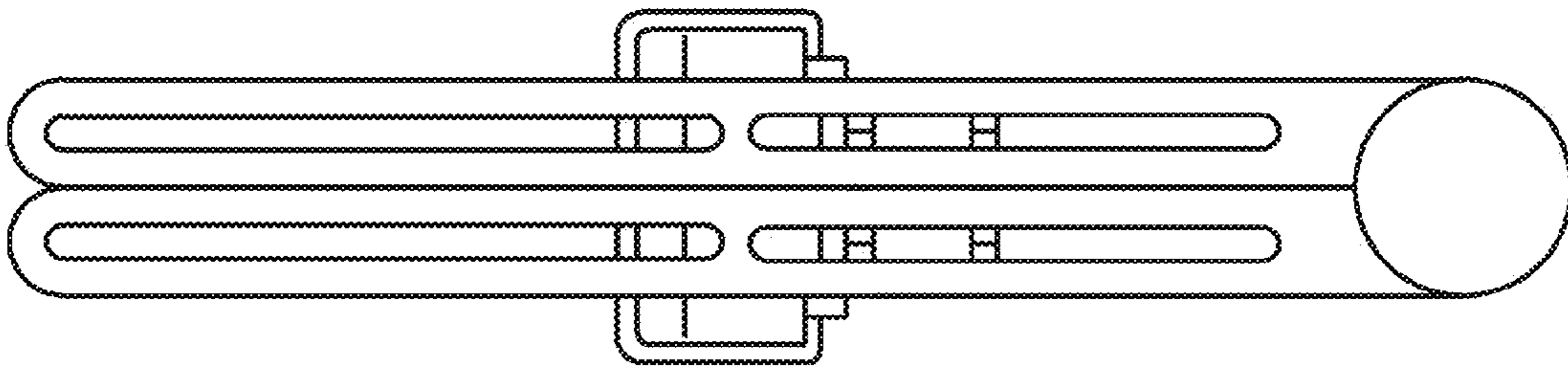


FIG. 11

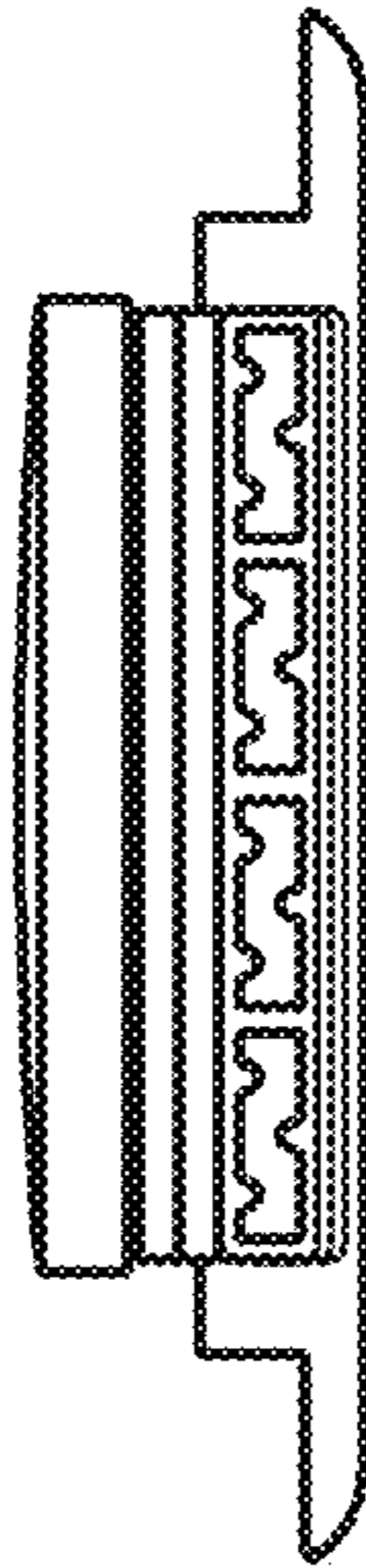


FIG. 12

