



US00D723087S

(12) **United States Design Patent**  
**Jang et al.**

(10) **Patent No.:** **US D723,087 S**

(45) **Date of Patent:** **\*\* Feb. 24, 2015**

(54) **DIGITAL CAMERA**

(71) Applicant: **Samsung Electronics Co., Ltd.**,  
Suwon-si (KR)

(72) Inventors: **Young-Sang Jang**, Anyang-si (KR);  
**Ki-Jin Kwon**, Suwon-si (KR);  
**Eui-Hoon Kim**, Uiwang-si (KR)

(73) Assignee: **Samsung Electronics Co., Ltd.**,  
Suwon-si (KR)

(\*\*) Term: **14 Years**

(21) Appl. No.: **29/470,800**

(22) Filed: **Oct. 25, 2013**

(30) **Foreign Application Priority Data**

Apr. 26, 2013 (KR) ..... 30-2013-0022093

(51) **LOC (10) Cl.** ..... **16-05**

(52) **U.S. Cl.**  
USPC ..... **D16/219**

(58) **Field of Classification Search**  
CPC ... H04N 5/247; H04N 5/2251; H04N 5/2252;  
H04N 5/2253; H04N 5/2254; G03B 17/02  
USPC ..... D16/200, 202, 203, 204, 218, 219;  
348/373-376; 358/909.1; 396/535-541  
See application file for complete search history.

(56) **References Cited**

U.S. PATENT DOCUMENTS

D524,348 S *	7/2006	Nagayama et al. ....	D16/219
D557,311 S *	12/2007	Hanafusa et al. ....	D16/219
D564,563 S *	3/2008	Kamiya et al. ....	D16/219
D582,956 S *	12/2008	Imai .....	D16/219
D631,499 S *	1/2011	Meguro .....	D16/219
7,929,859 B2 *	4/2011	Saiki .....	396/535
8,014,667 B2 *	9/2011	Saiki .....	396/535
D708,246 S *	7/2014	Yamauchi .....	D16/202
D711,450 S *	8/2014	Yamauchi .....	D16/202

\* cited by examiner

*Primary Examiner* — Adir Aronovich

(74) *Attorney, Agent, or Firm* — NSIP Law

(57) **CLAIM**

The ornamental design for a digital camera, as shown and described.

**DESCRIPTION**

FIG. 1 is a front perspective view of a digital camera showing our new design;

FIG. 2 is a front elevational thereof;

FIG. 3 is a rear elevational thereof;

FIG. 4 is a left side elevational thereof;

FIG. 5 is a right side elevational thereof;

FIG. 6 is a top plan thereof; and,

FIG. 7 is a bottom plan thereof.

The broken lines illustrating portions of the digital camera are for environmental purposes only and form no part of the claimed design.

**1 Claim, 4 Drawing Sheets**

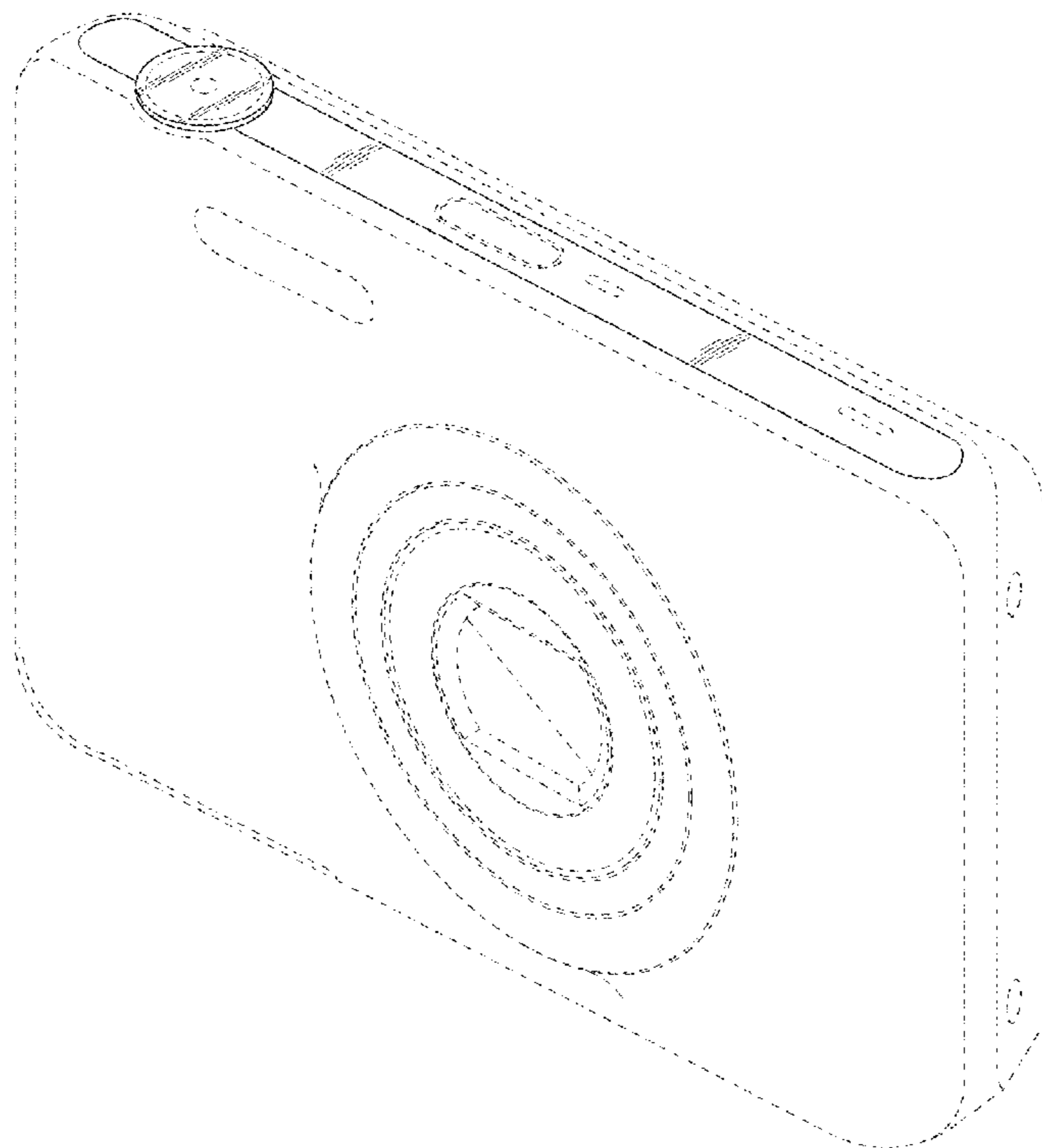


FIG. 1

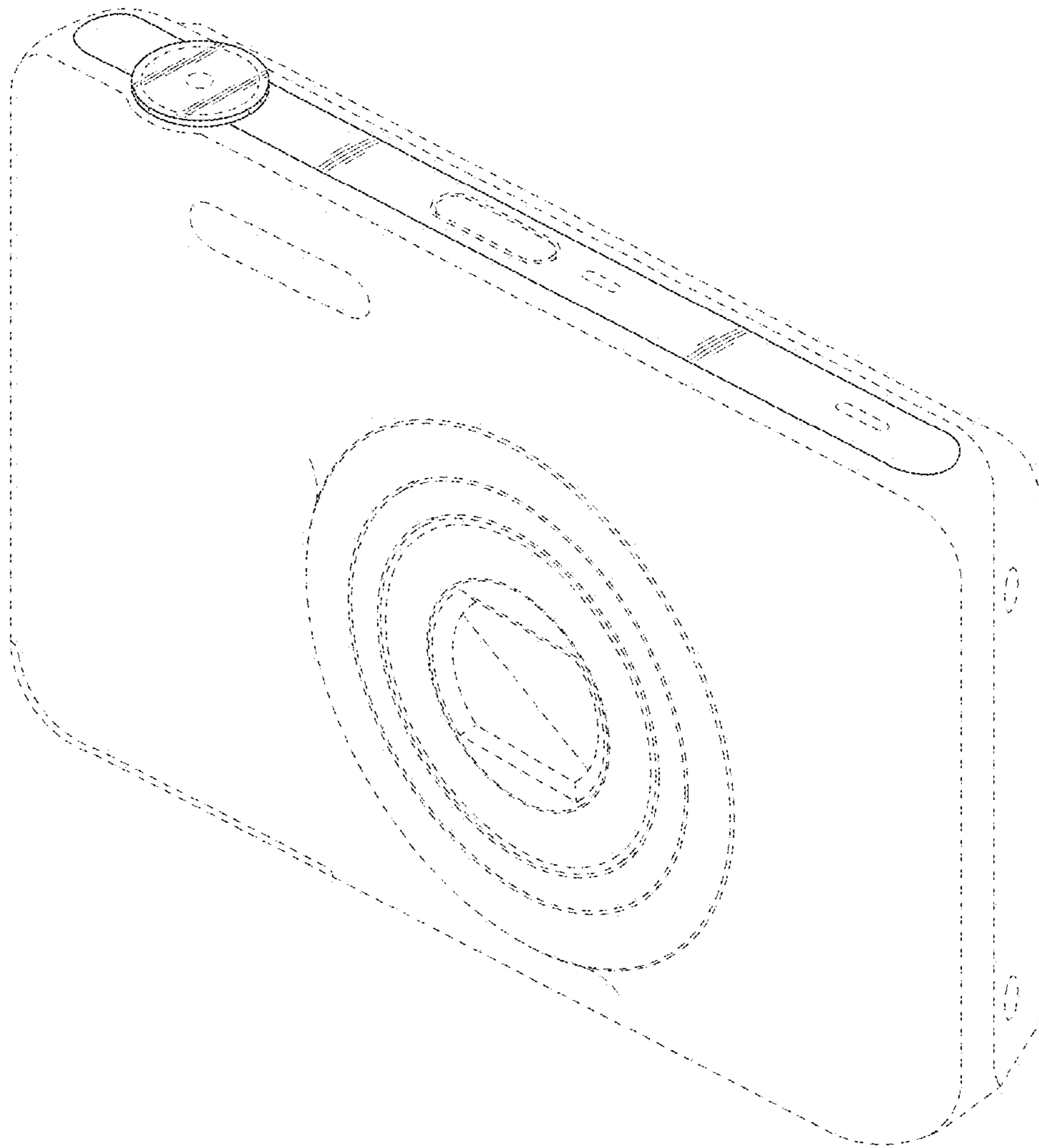


FIG.2

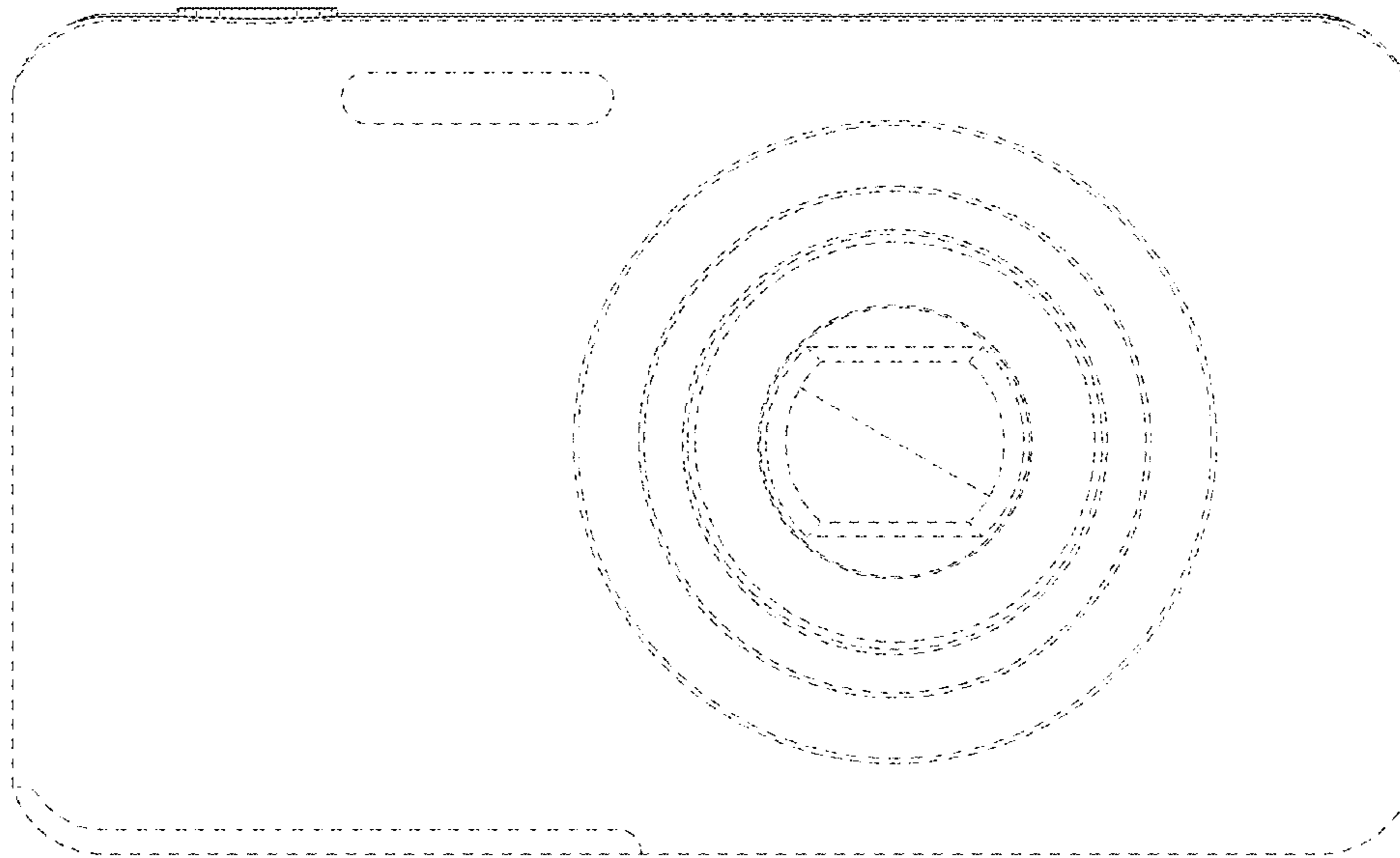


FIG.3

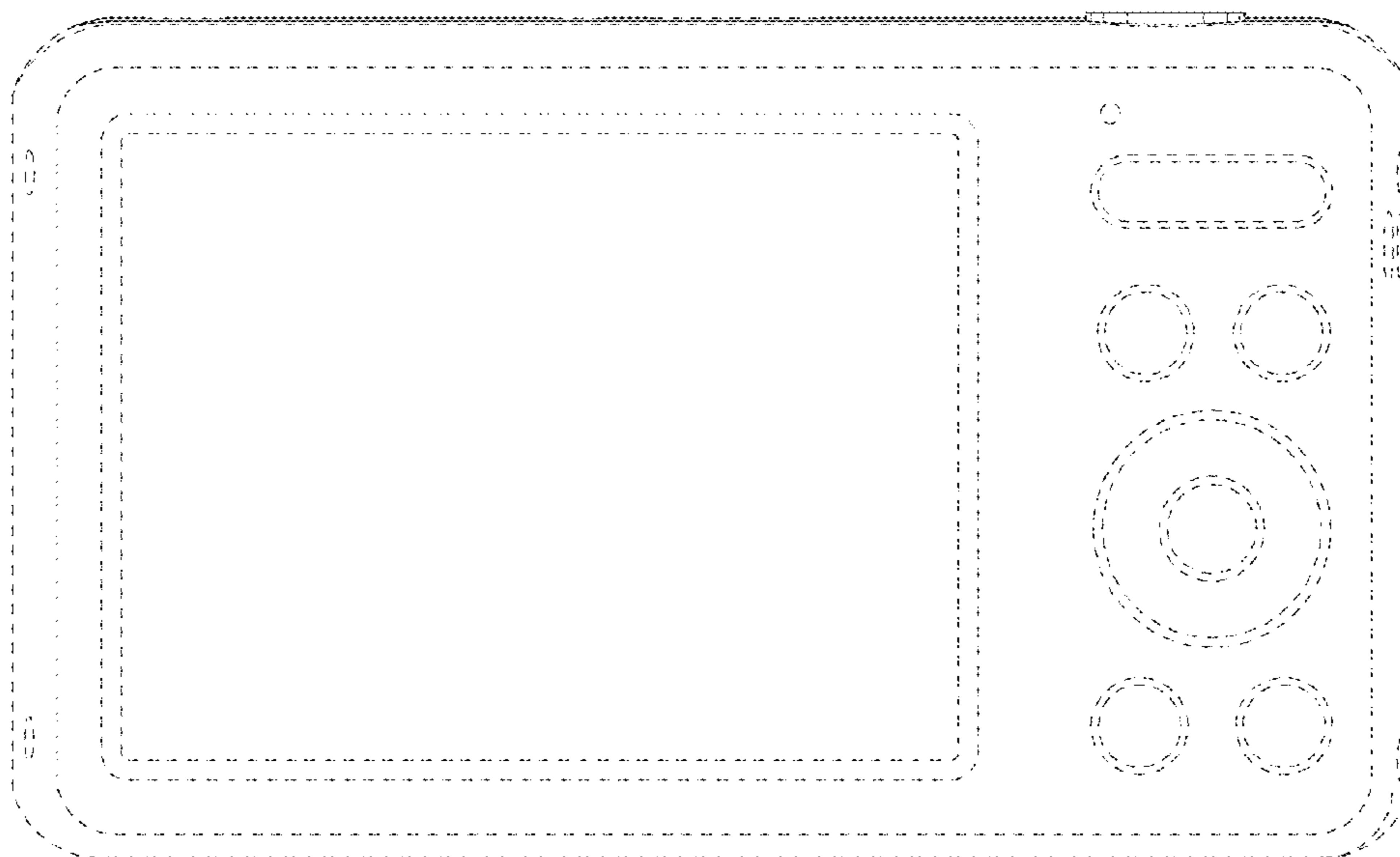


FIG.4

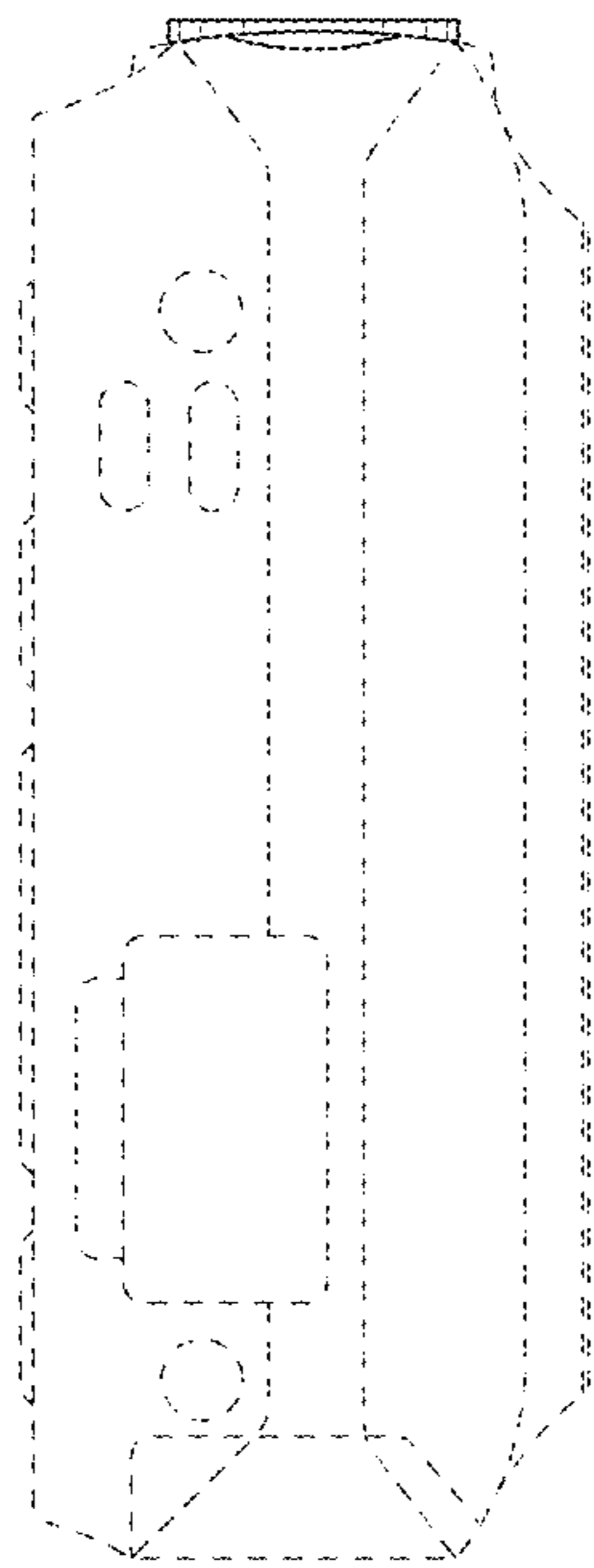


FIG.5

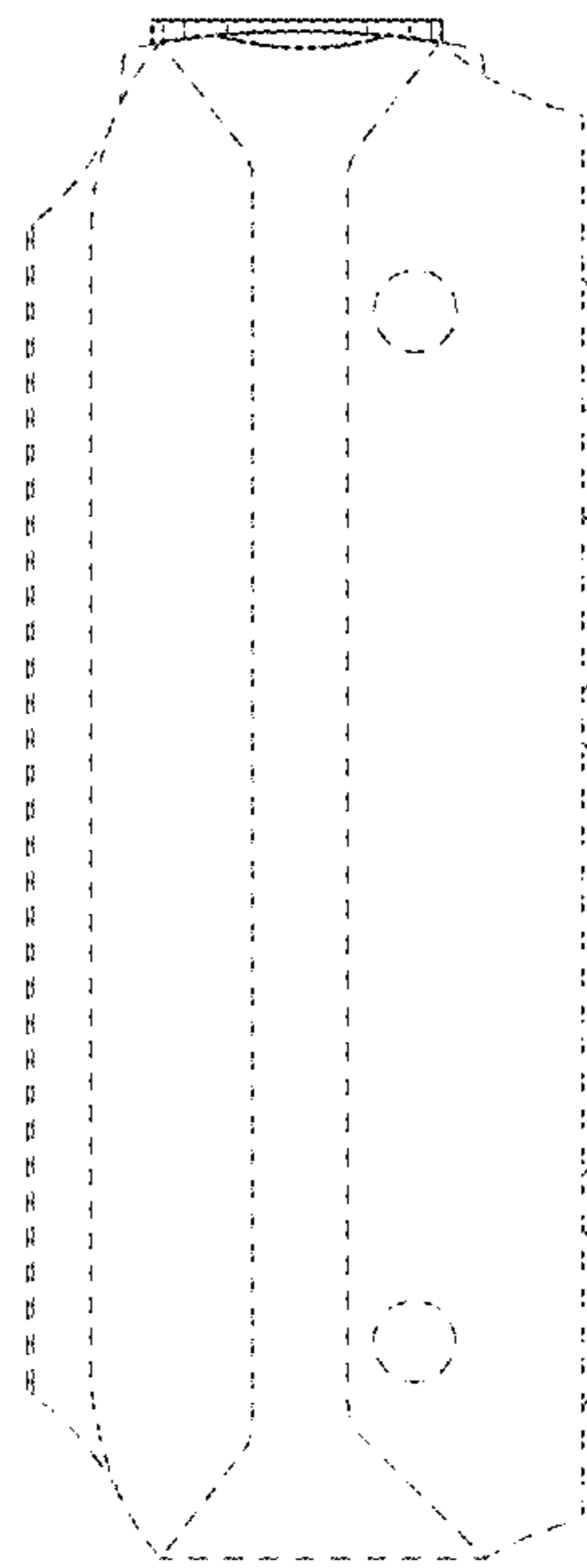


FIG.6

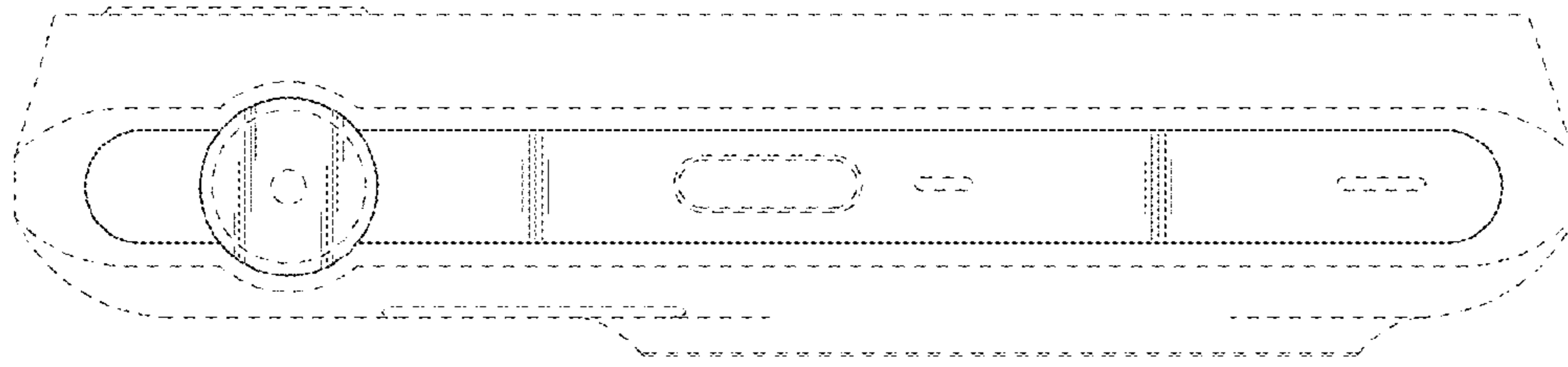


FIG.7

