



US00D723086S

(12) **United States Design Patent**
Imamizu et al.

(10) **Patent No.:** **US D723,086 S**
(45) **Date of Patent:** **** Feb. 24, 2015**

(54) **DIGITAL CAMERA**

(71) Applicant: **Nikon Corporation**, Tokyo (JP)

(72) Inventors: **Makoto Imamizu**, Yokohama (JP);
Tatsuya Kobayashi, Tokyo (JP)

(73) Assignee: **Nikon Corporation**, Tokyo (JP)

(**) Term: **14 Years**

(21) Appl. No.: **29/459,090**

(22) Filed: **Jun. 25, 2013**

(30) **Foreign Application Priority Data**

Dec. 27, 2012 (JP) 2012-031906

(51) **LOC (10) Cl.** **16-05**

(52) **U.S. Cl.**
USPC **D16/219**

(58) **Field of Classification Search**

CPC G03B 15/03; G03B 17/02; G03B 17/04;
G03B 17/56; G03B 19/04; H04N 5/2251;
H04N 5/2252; H04N 5/2253; H04N 5/2254;
H04N 2101/00

USPC D16/200, 202–206, 208, 218, 219;
348/373–376; 396/535, 539–541

See application file for complete search history.

(56) **References Cited**

U.S. PATENT DOCUMENTS

D521,038 S * 5/2006 Takagi D16/200
D521,043 S * 5/2006 Takagi D16/218
D547,784 S * 7/2007 Shimobayashi D16/202
D580,468 S * 11/2008 Tainaka D16/202

D586,838 S * 2/2009 Tainaka D16/219
D605,677 S * 12/2009 Shimobayashi D16/202
D630,662 S * 1/2011 Miyashita D16/219
D695,810 S * 12/2013 Soejima D16/219
D701,551 S * 3/2014 Inoue D16/202
D707,742 S * 6/2014 Imamizu D16/202
8,743,277 B2 * 6/2014 Matsuzawa et al. 348/373
2007/0212062 A1 * 9/2007 Saiki et al. 396/535

* cited by examiner

Primary Examiner — Adir Aronovich

Assistant Examiner — Ramzi Almatrahi

(74) *Attorney, Agent, or Firm* — Wolf, Greenfield & Sacks,
P.C.; Randy J. Pritzker

(57) **CLAIM**

The ornamental design for a digital camera, as shown and described.

DESCRIPTION

FIG. 1 is a front perspective view of a digital camera showing our new design;

FIG. 2 is a rear perspective view thereof;

FIG. 3 is a front elevational view thereof;

FIG. 4 is a rear elevational view thereof;

FIG. 5 is a top plan view thereof;

FIG. 6 is a bottom plan view thereof;

FIG. 7 is a right side elevational view thereof; and,

FIG. 8 is a left side elevational view thereof.

the broken lines depict portions of the digital camera in which the design is embodied and form no part of the claimed design. The dash-dot lines denote the boundary of the claim and form no part of the claimed design.

1 Claim, 8 Drawing Sheets

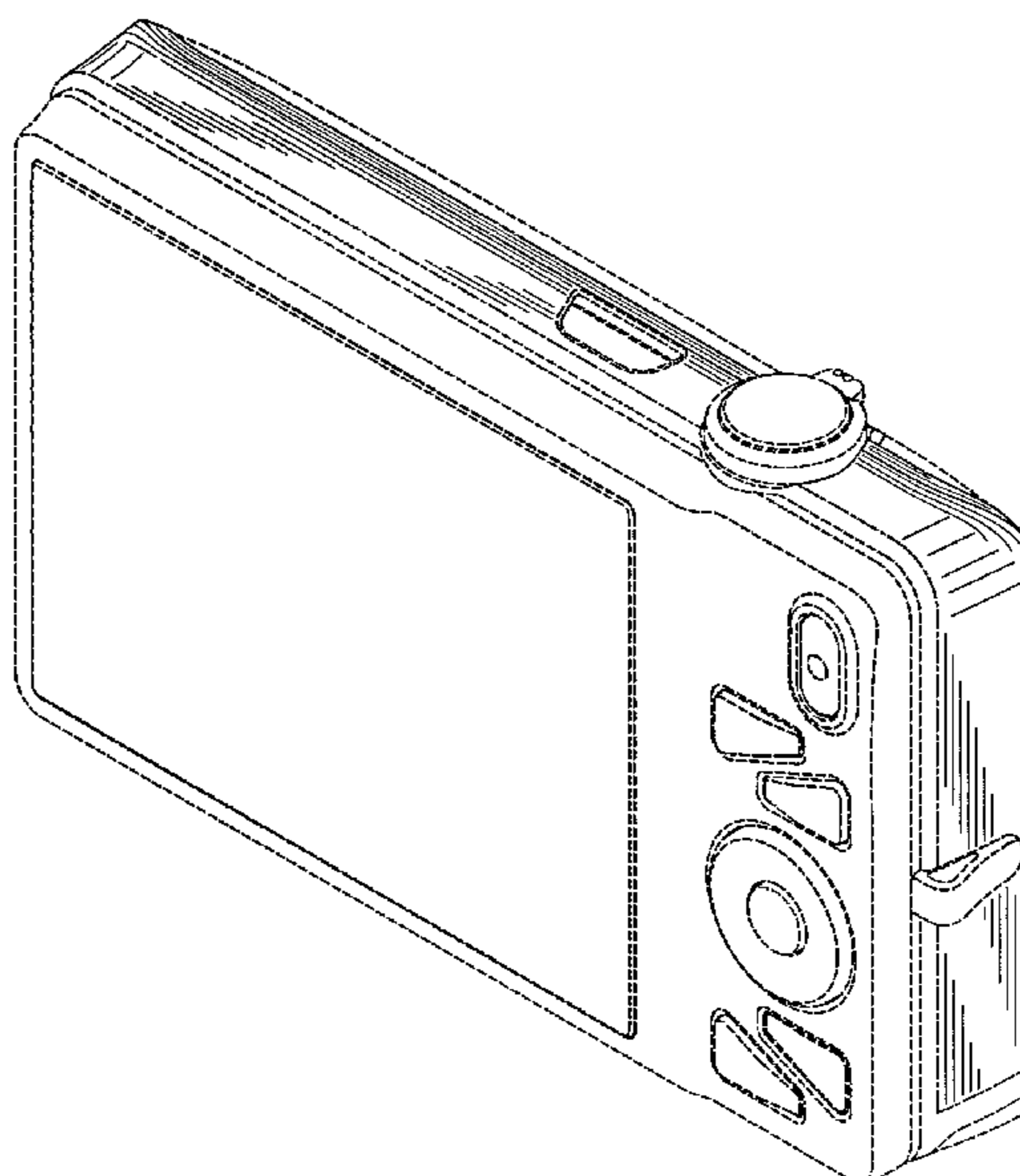
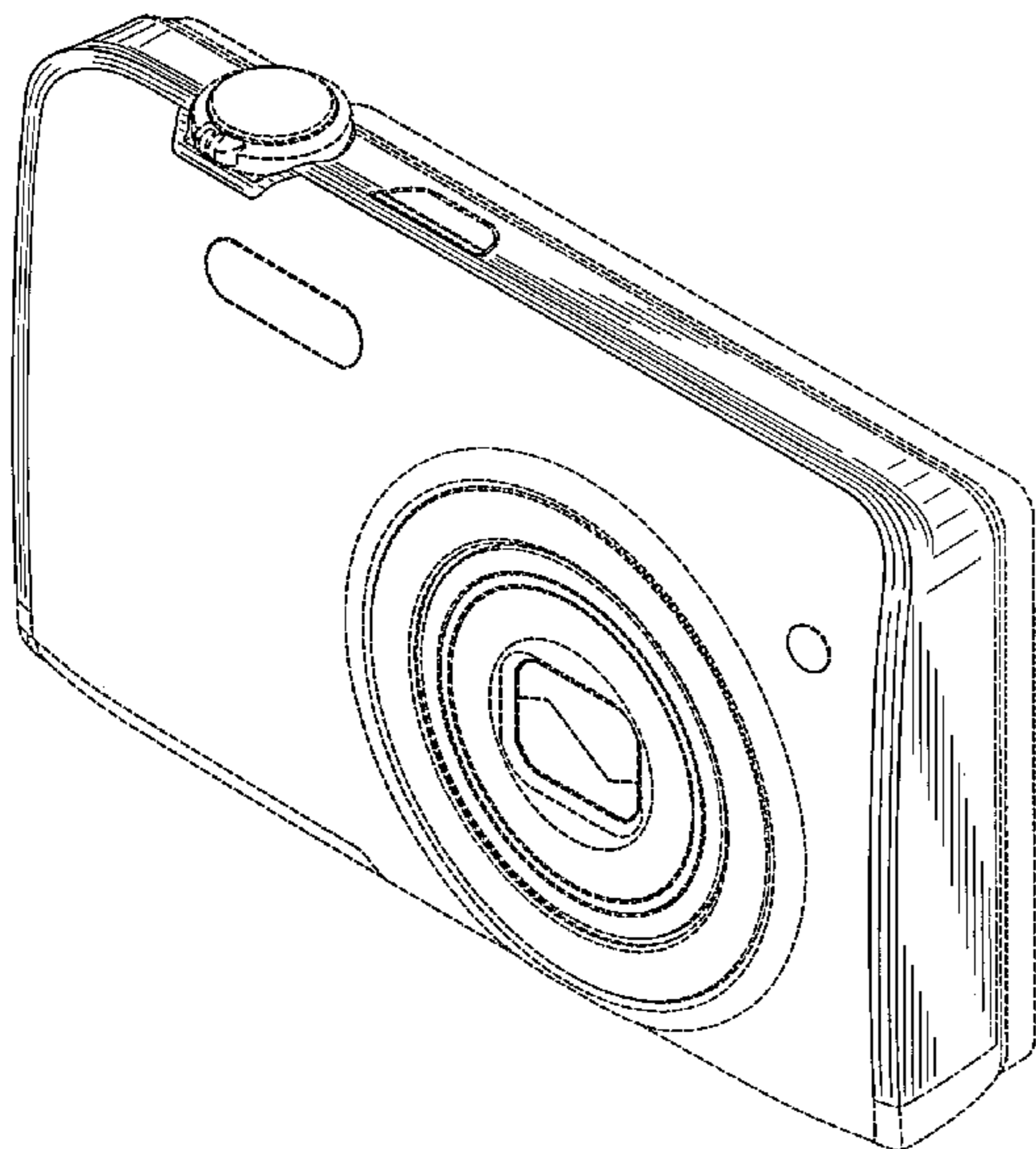


FIG. 1

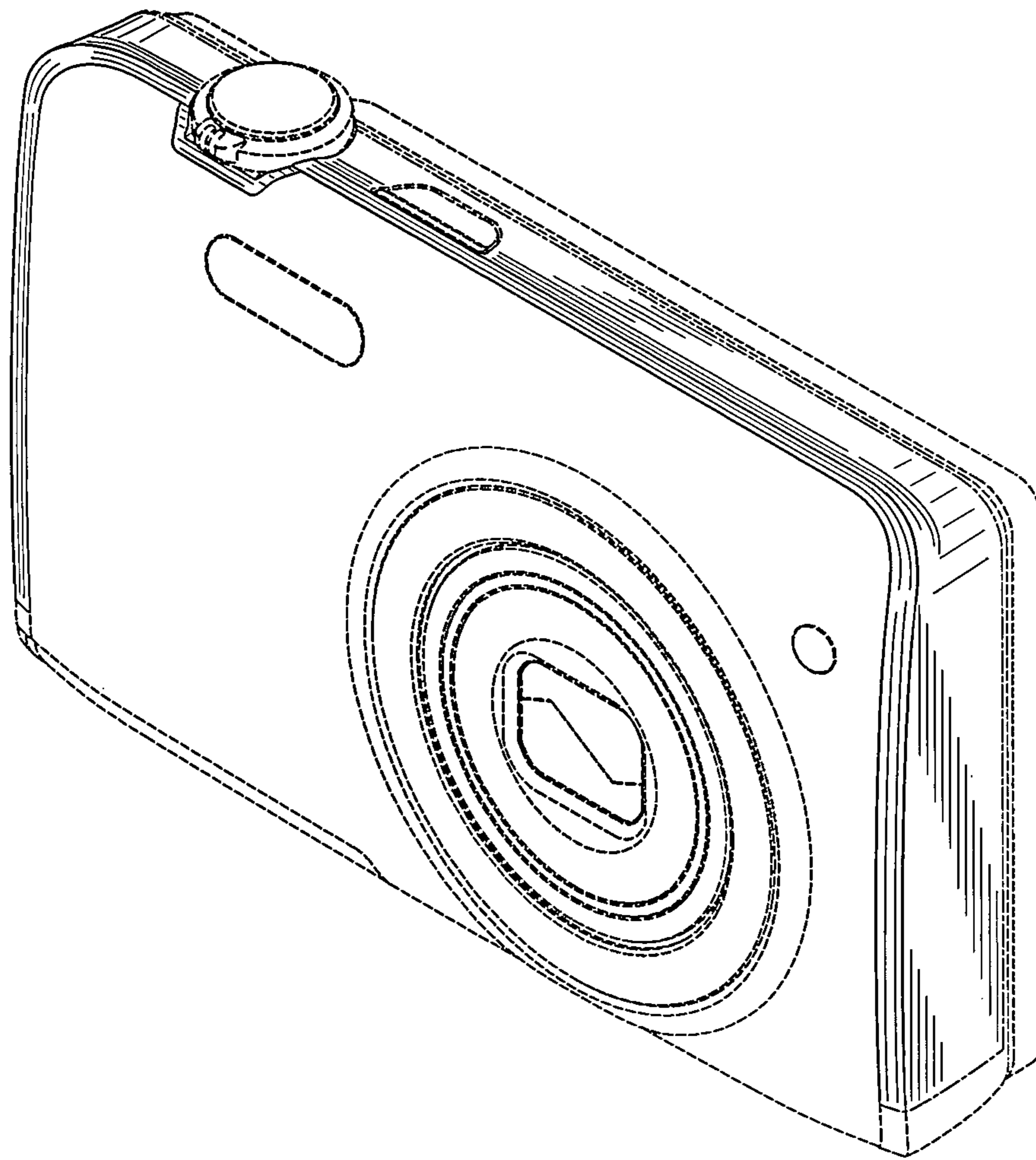


FIG. 2

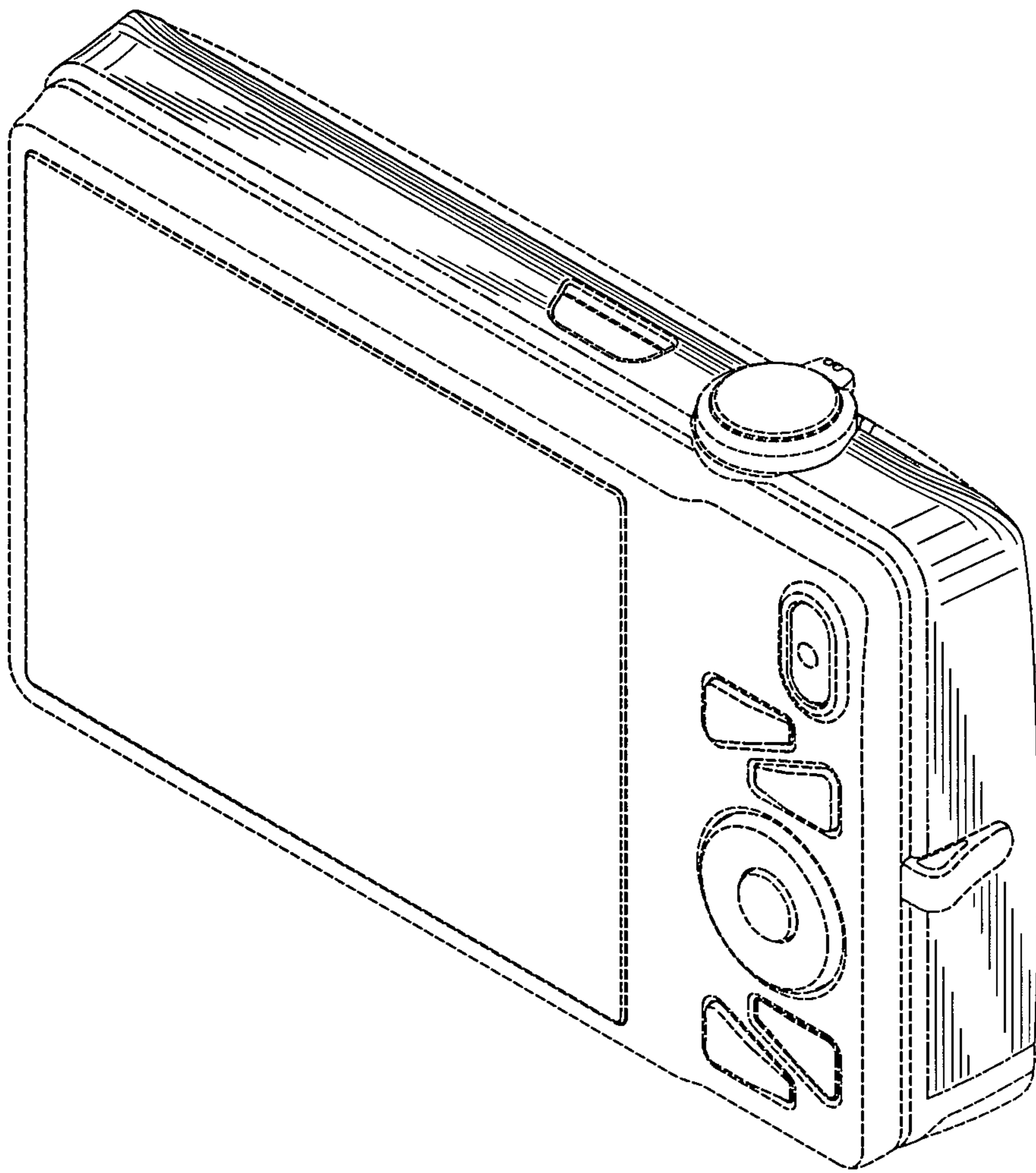


FIG. 3

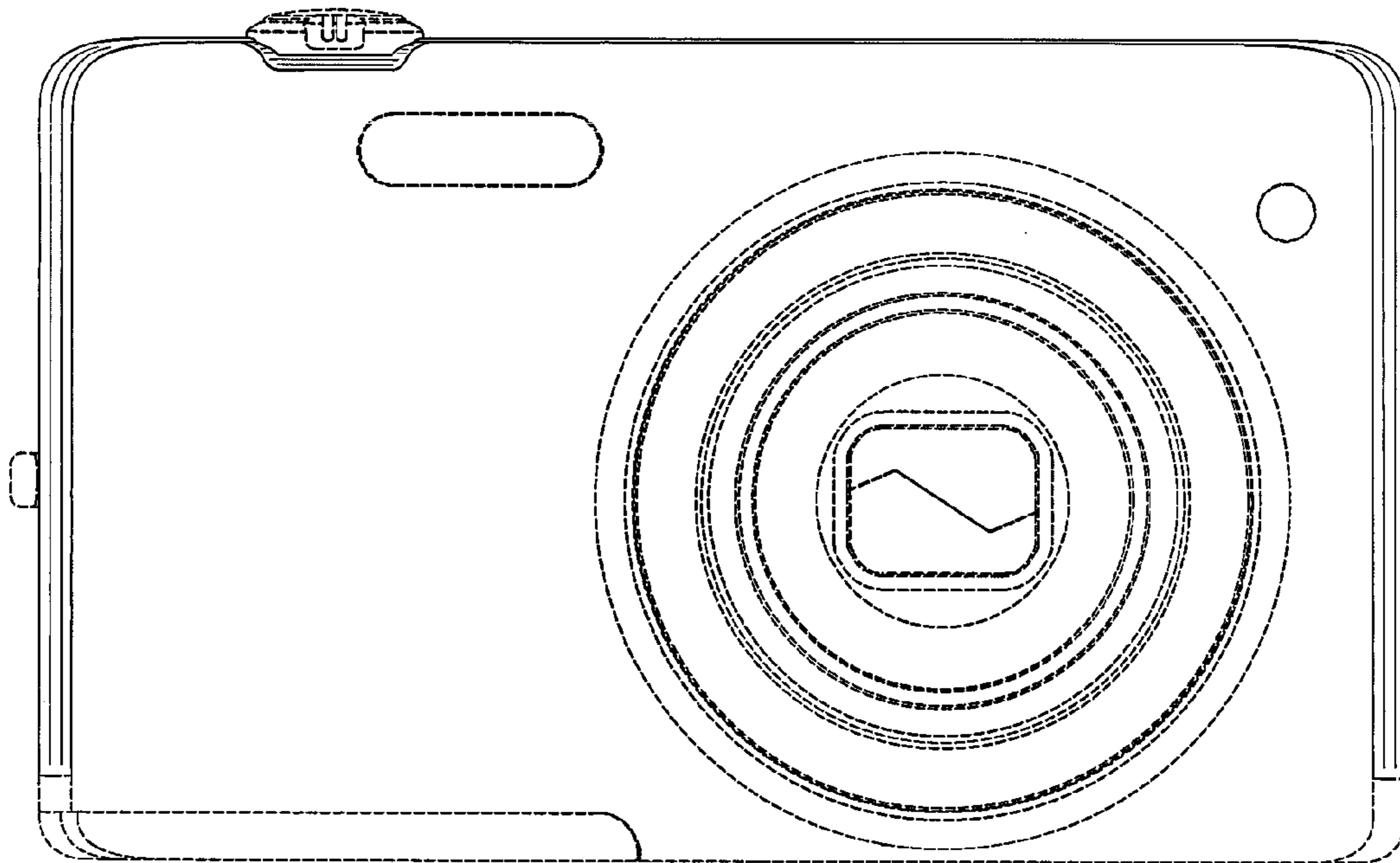


FIG. 4

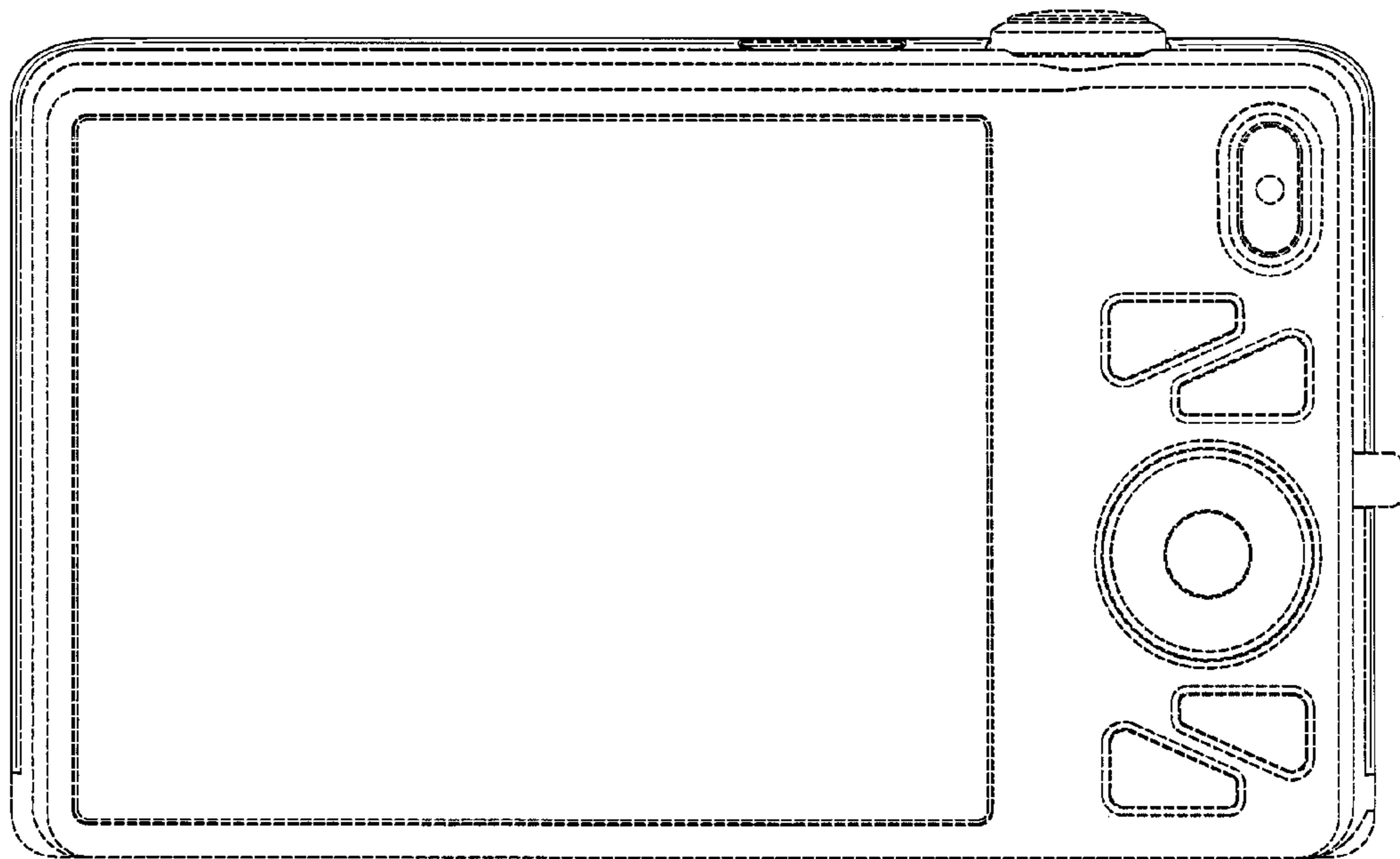


FIG. 5

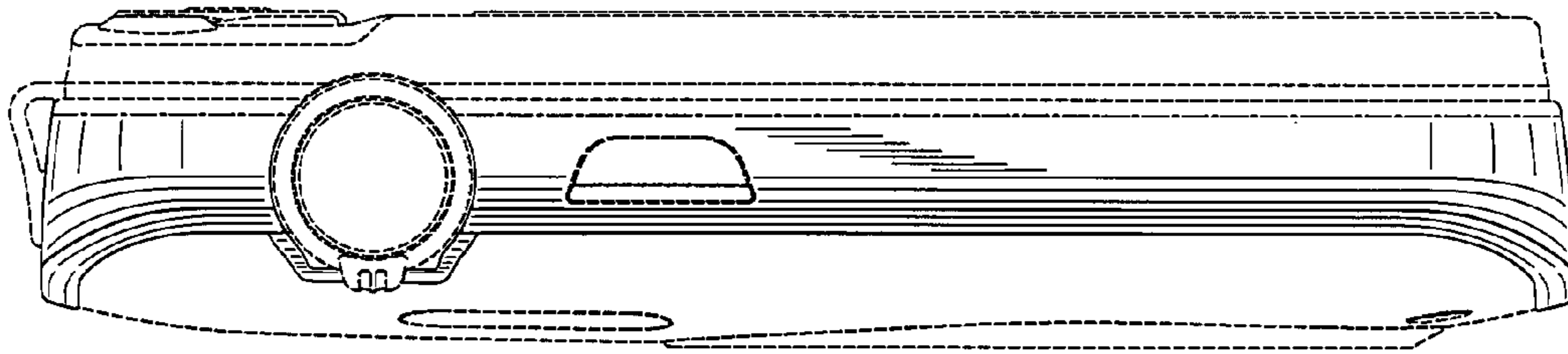


FIG. 6

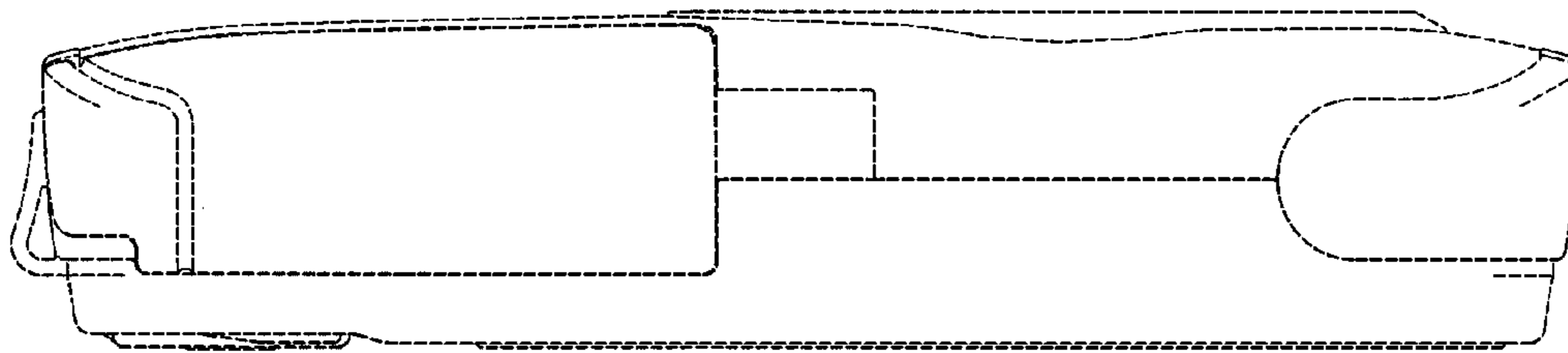


FIG. 7

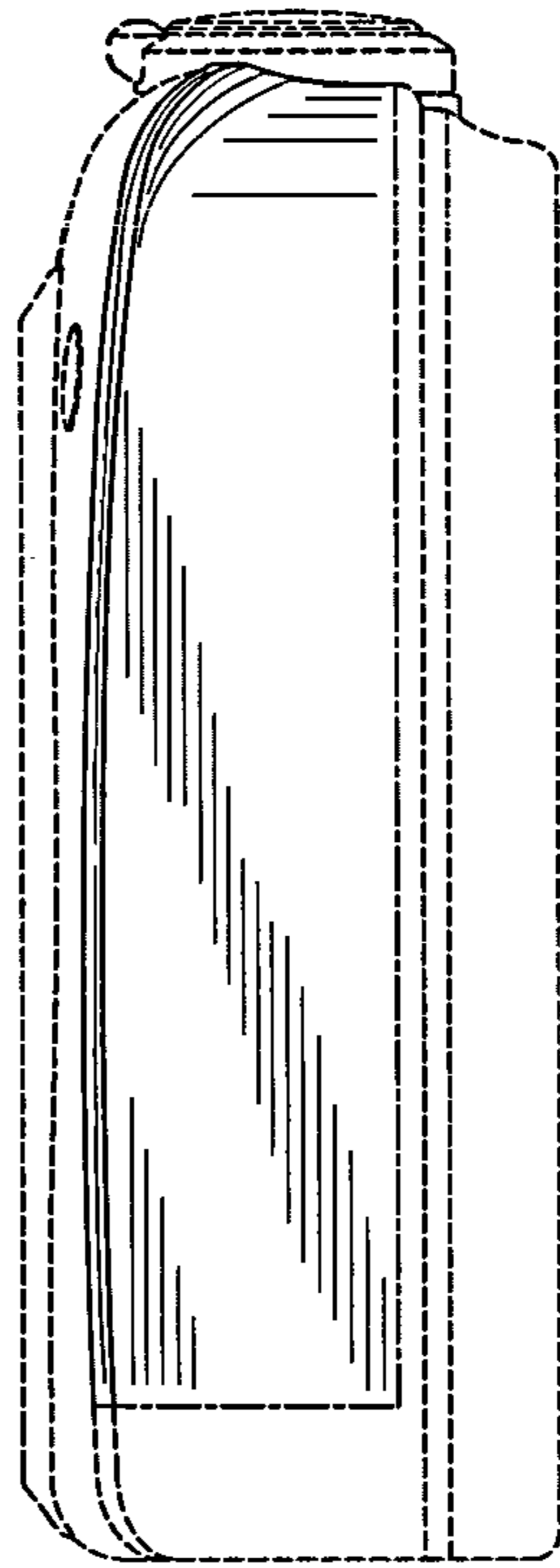


FIG. 8

