



US00D723085S

(12) **United States Design Patent**
Soejima

(10) **Patent No.:** **US D723,085 S**

(45) **Date of Patent:** **** Feb. 24, 2015**

(54) **DIGITAL CAMERA**

(71) Applicant: **Nikon Corporation**, Tokyo (JP)

(72) Inventor: **Kenichi Soejima**, Yokohama (JP)

(73) Assignee: **Nikon Corporation**, Tokyo (JP)

(**) Term: **14 Years**

(21) Appl. No.: **29/459,089**

(22) Filed: **Jun. 25, 2013**

(30) **Foreign Application Priority Data**

Dec. 27, 2012 (JP) 2012-031907

(51) **LOC (10) Cl.** **16-05**

(52) **U.S. Cl.**
USPC **D16/219**

(58) **Field of Classification Search**

CPC G03B 15/03; G03B 17/02; G03B 17/04;
G03B 17/56; G03B 19/04; H04N 5/2251;
H04N 5/2252; H04N 5/2253; H04N 5/2254;
H04N 2101/00

USPC D16/200, 202–206, 208, 217–219;
348/373–376; 396/176–178, 535,
396/539–541

See application file for complete search history.

(56) **References Cited**

U.S. PATENT DOCUMENTS

D390,859 S * 2/1998 Nojima et al. D16/217
D404,411 S * 1/1999 Swayze et al. D16/202

D438,229 S * 2/2001 Kawai D16/218
D476,675 S * 7/2003 Tran et al. D16/218
D532,027 S * 11/2006 Lee D16/202
D562,374 S * 2/2008 Miyashita D16/217
D605,213 S * 12/2009 Liu et al. D16/208
D633,122 S * 2/2011 Booker et al. D16/218
D710,923 S * 8/2014 Watanabe D16/202
2004/0161230 A1 * 8/2004 Hosokawa et al. 396/177

FOREIGN PATENT DOCUMENTS

JP 1450411 S 9/2012

* cited by examiner

Primary Examiner — Adir Aronovich

Assistant Examiner — Ramzi Almatrahi

(74) *Attorney, Agent, or Firm* — Wolf, Greenfield & Sacks,
P.C.; Randy J. Pritzker

(57) **CLAIM**

The ornamental design for a digital camera, as shown and described.

DESCRIPTION

FIG. 1 is a front perspective view of a digital camera showing my new design;

FIG. 2 is a rear perspective view thereof;

FIG. 3 is a front elevational view thereof;

FIG. 4 is a rear elevational view thereof;

FIG. 5 is a top plan view thereof;

FIG. 6 is a right side elevational view thereof; and,

FIG. 7 is a left side elevational view thereof.

The features shown in broken lines in the drawings depict environmental subject matter only and form no part of the claims design.

1 Claim, 7 Drawing Sheets

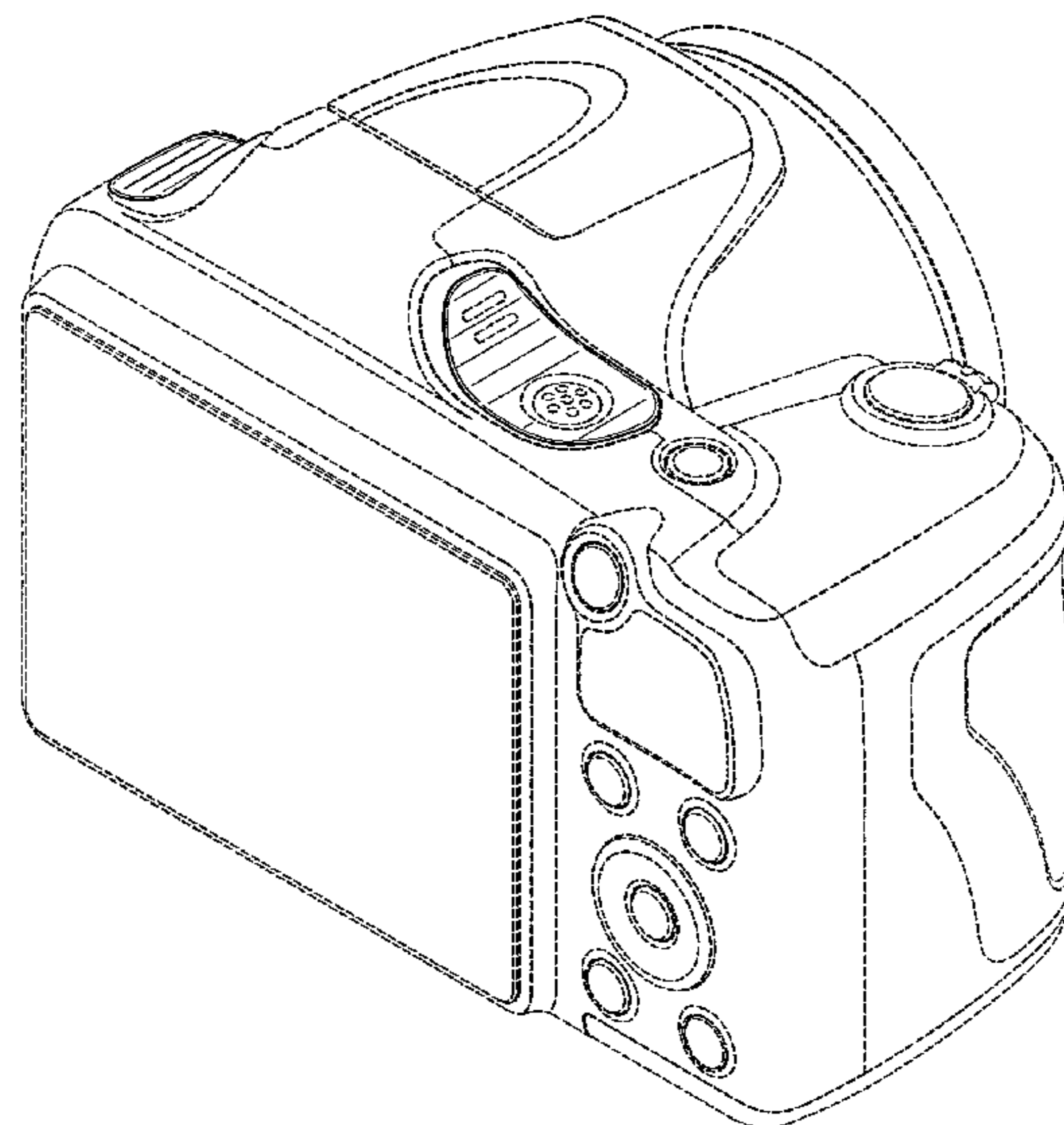
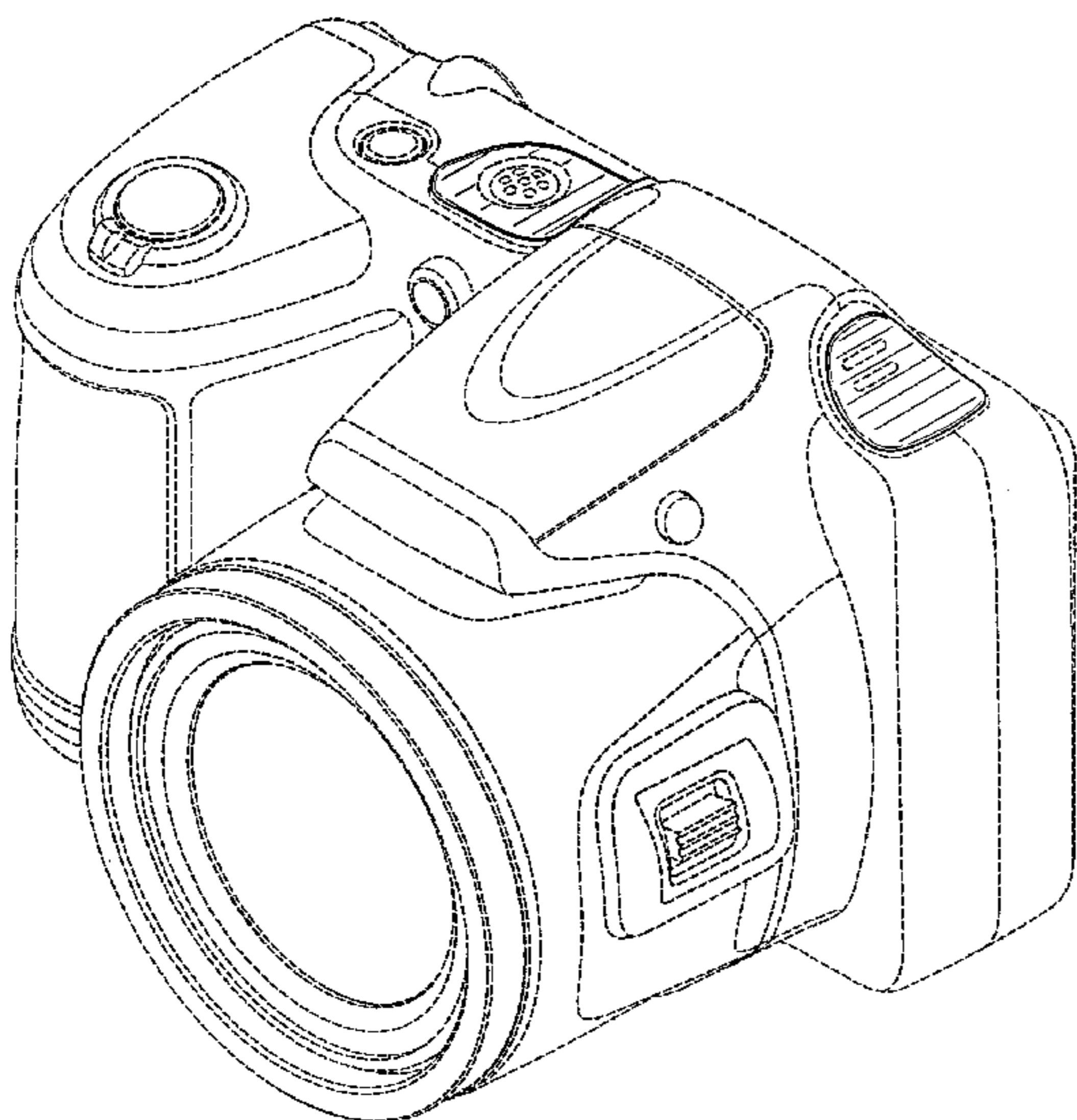


FIG. 1

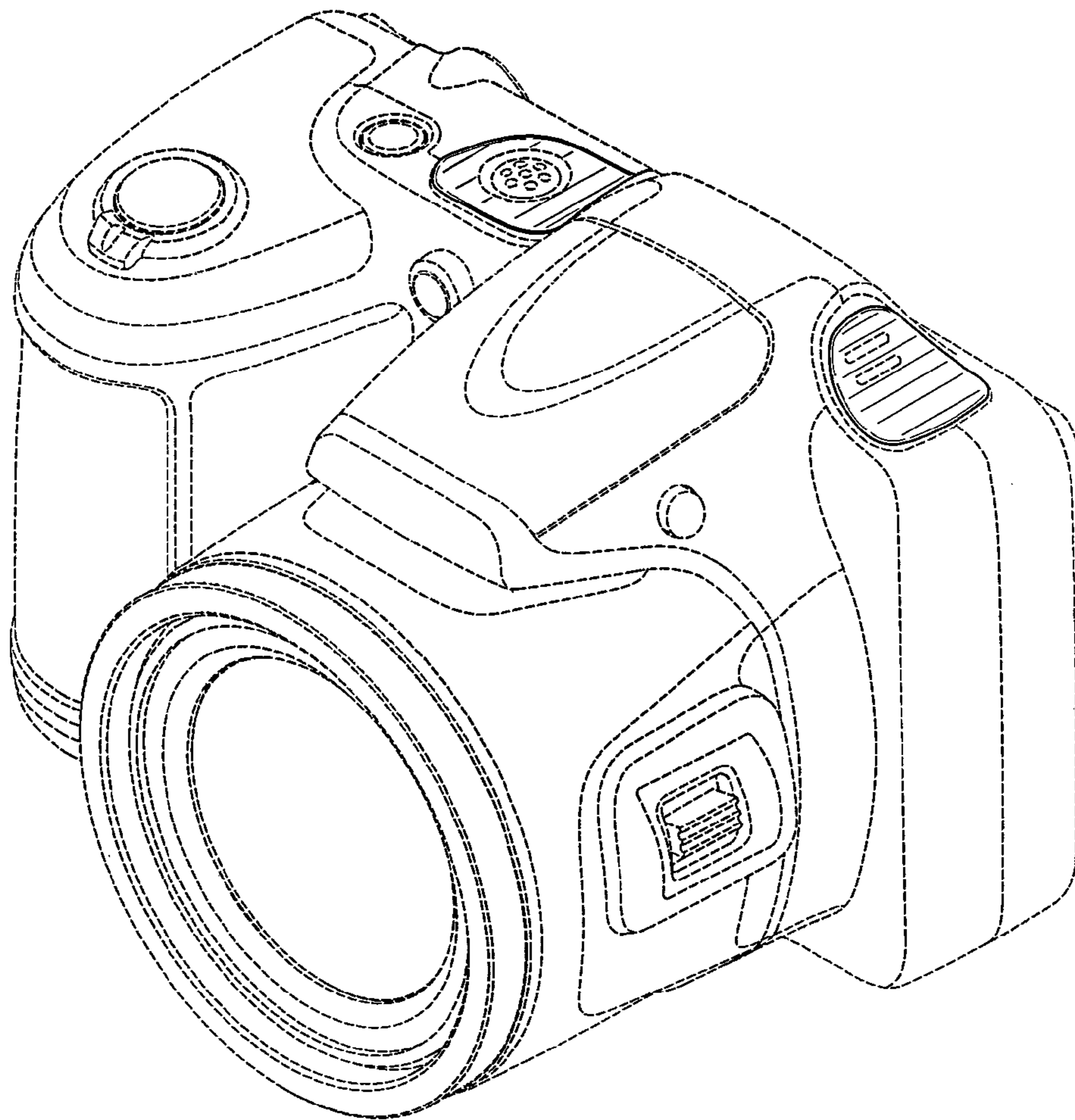


FIG. 2

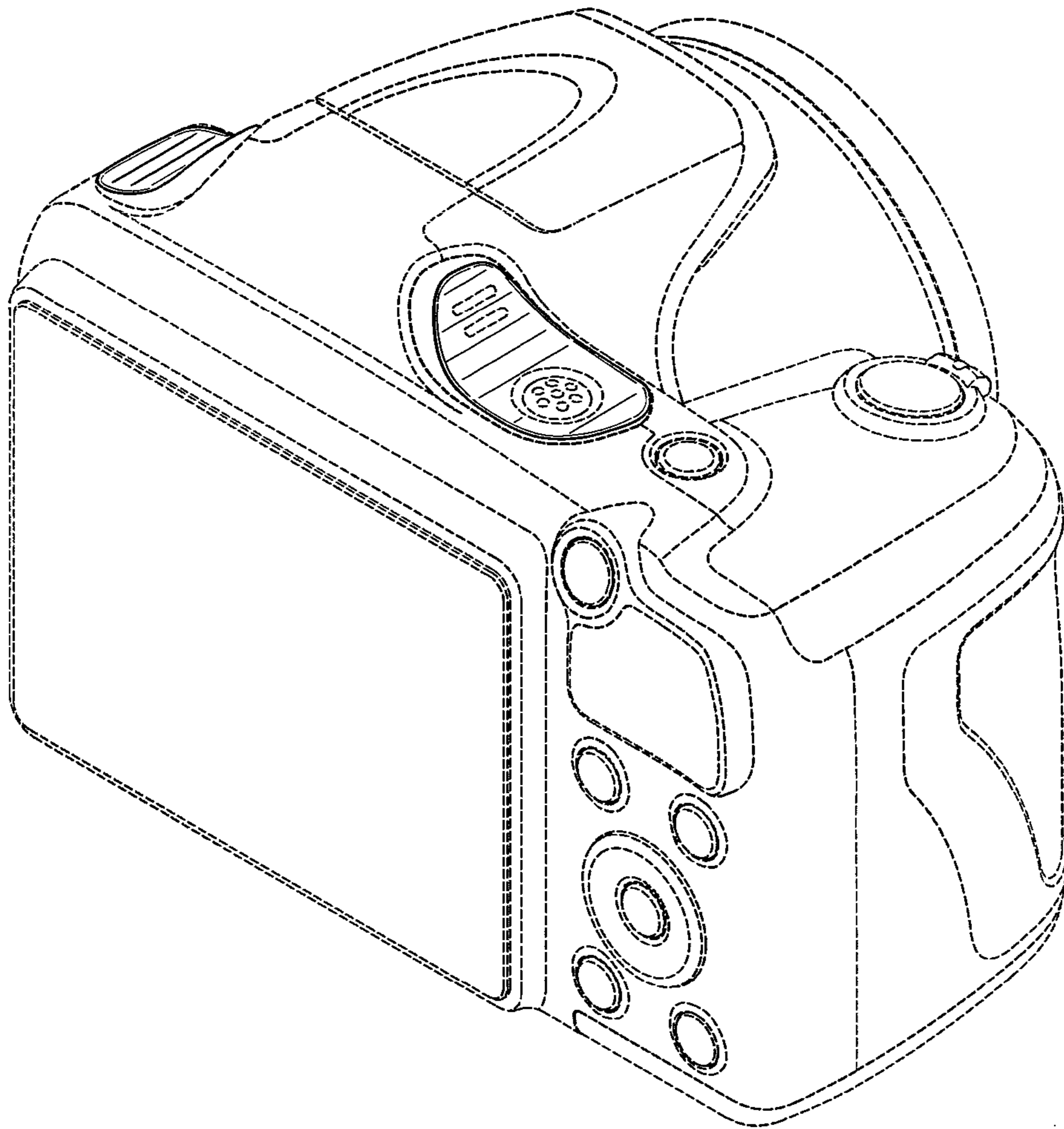


FIG. 3

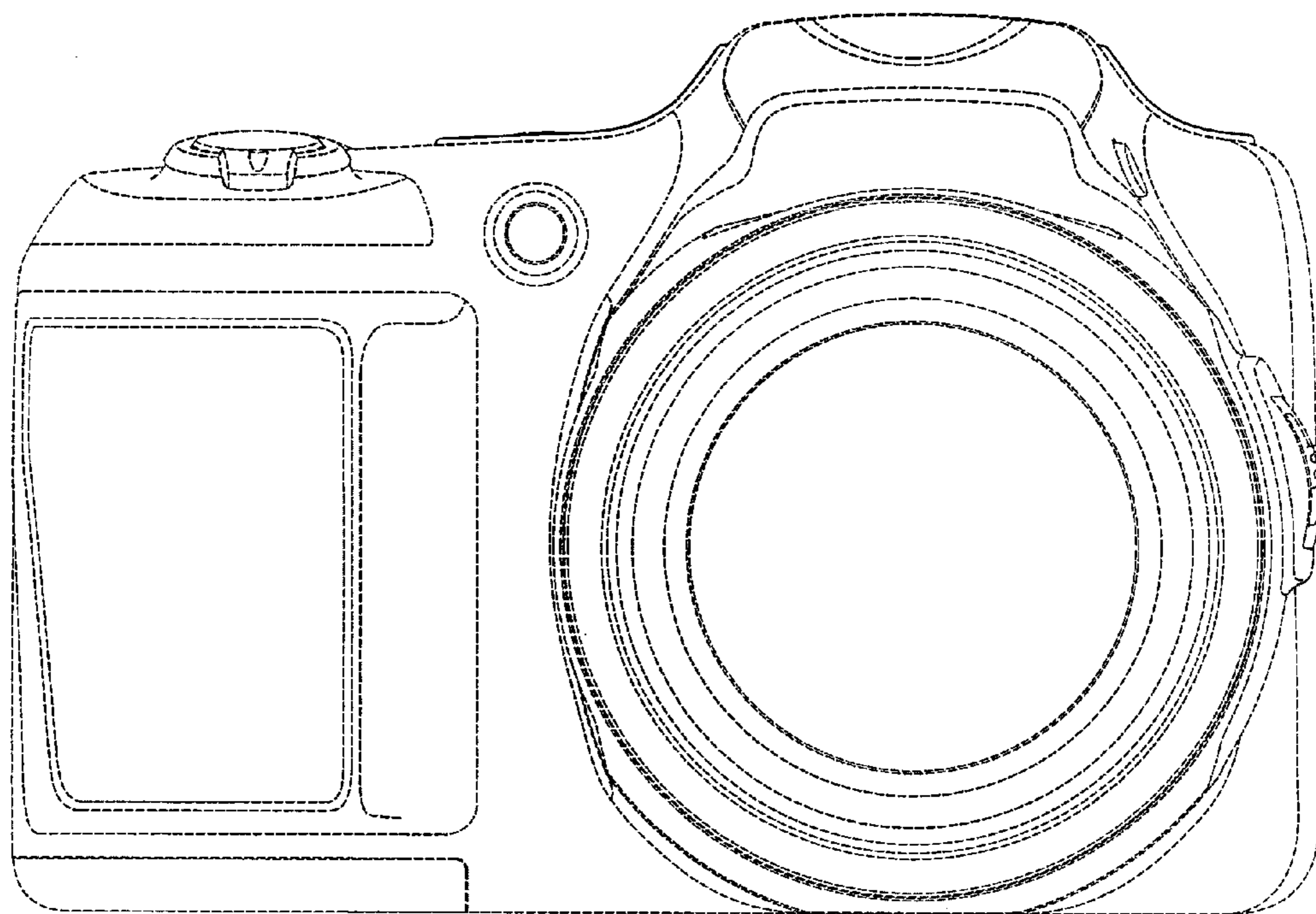


FIG. 4

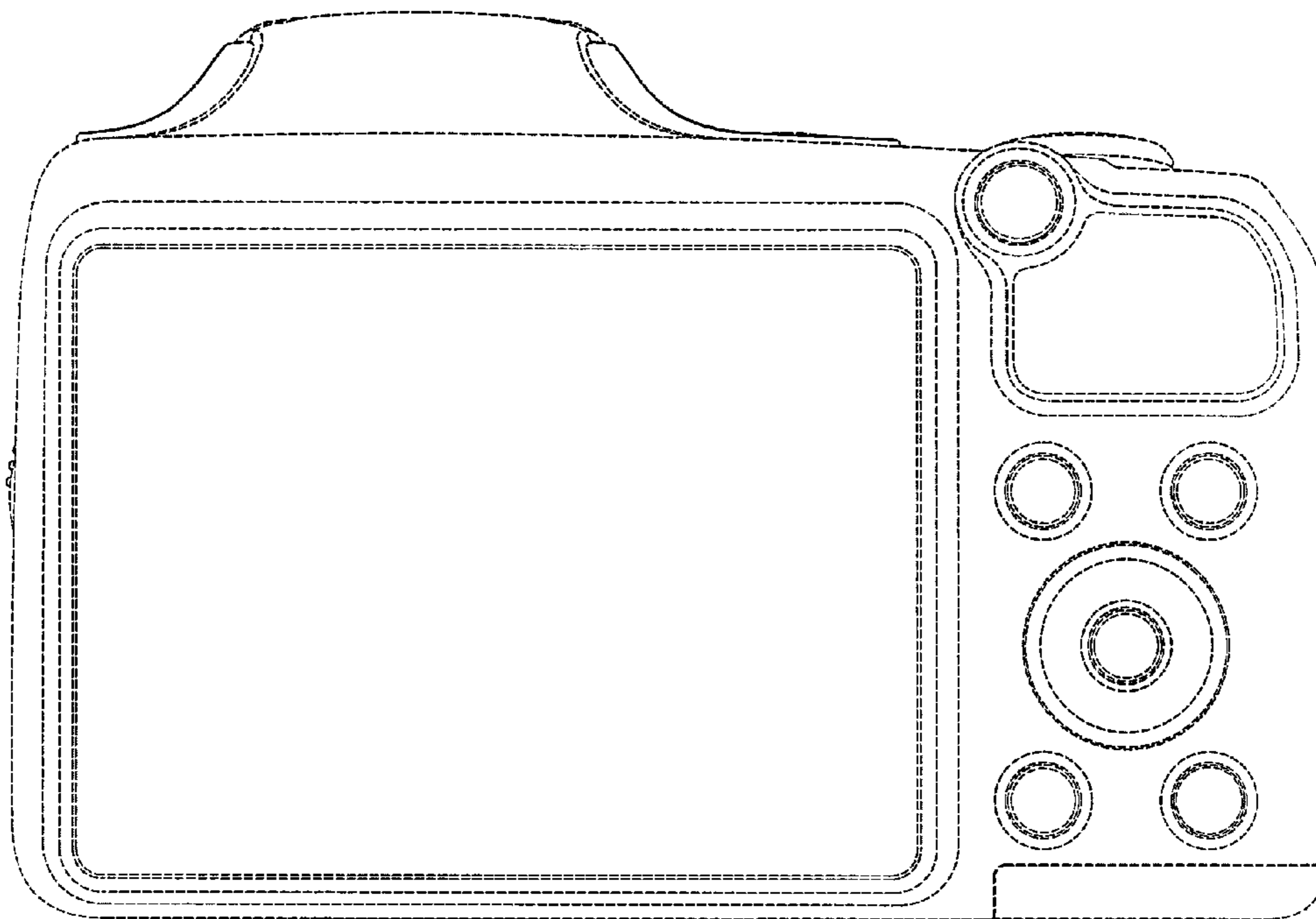


FIG. 5

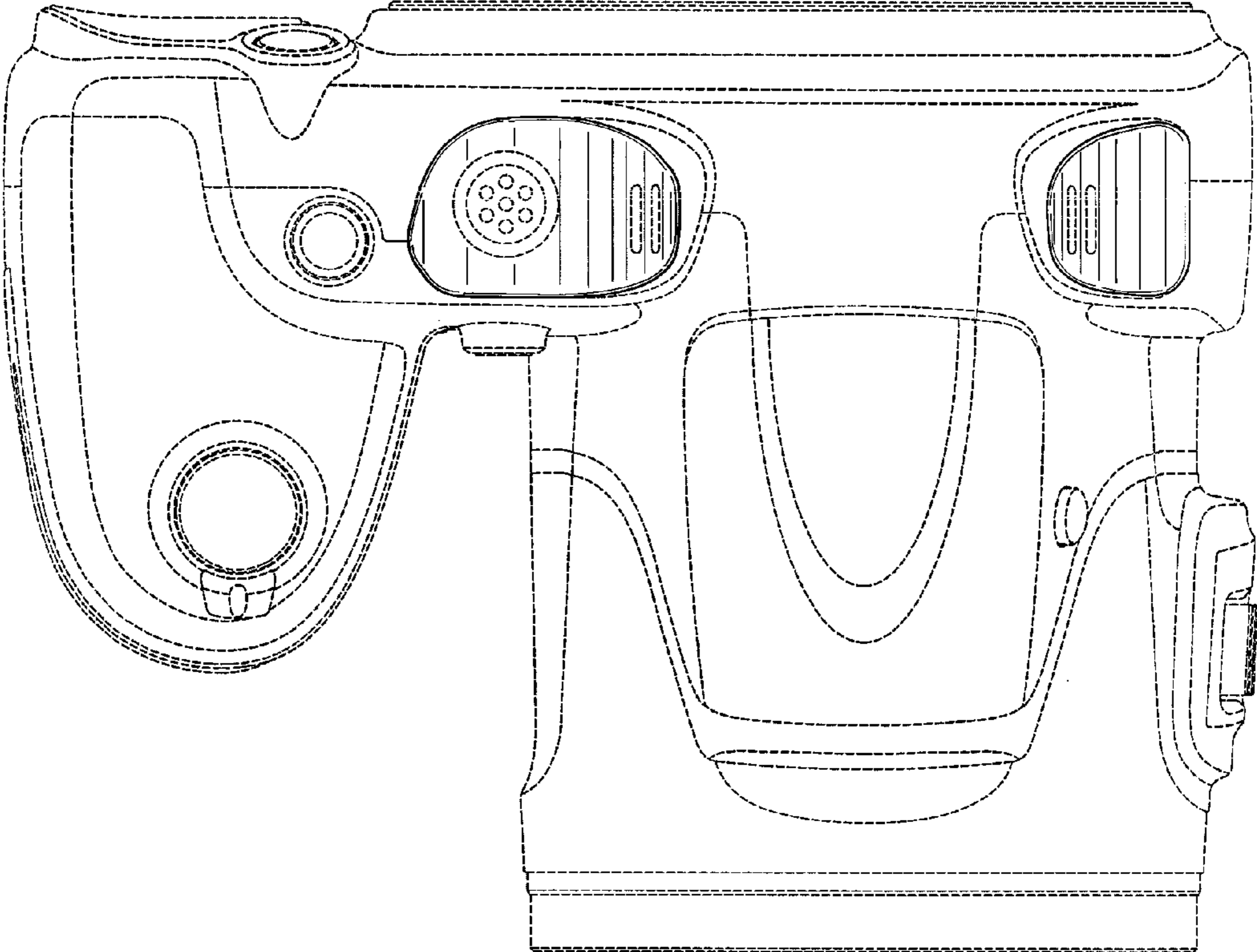


FIG. 6

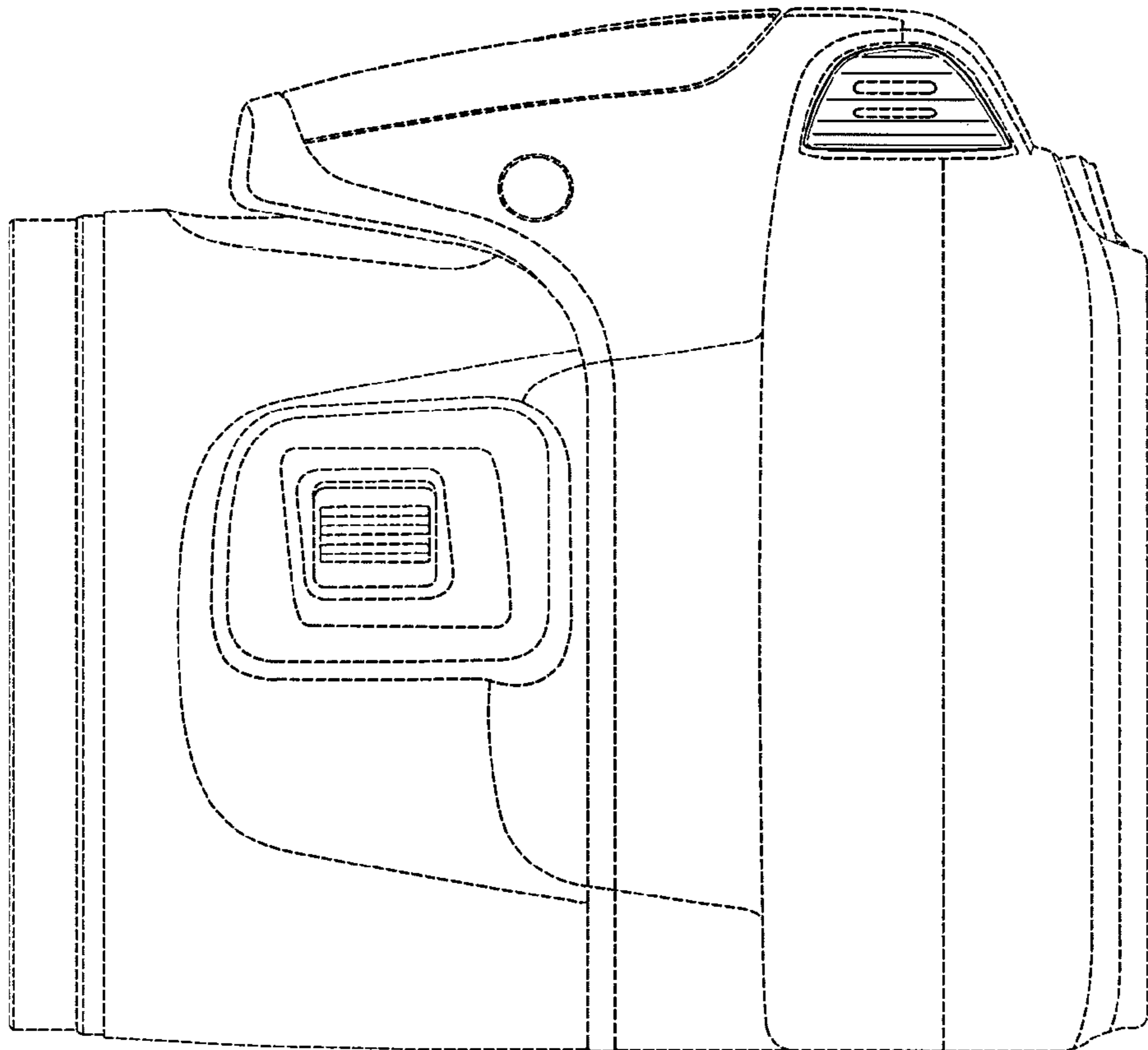


FIG. 7

