



US00D723084S

(12) **United States Design Patent**  
**Awazu et al.**

(10) **Patent No.:** **US D723,084 S**  
(45) **Date of Patent:** **\*\* Feb. 24, 2015**

(54) **CAMERA BODY**

FOREIGN PATENT DOCUMENTS

(71) Applicant: **FUJIFILM Corporation**, Minato-ku,  
Tokyo (JP)  
(72) Inventors: **Kouhei Awazu**, Saitama (JP); **Kentaro**  
**Tokiwa**, Saitama (JP)

JP 61104438 U 7/1986  
JP 11223865 A 8/1999  
JP 2003078794 A 3/2003  
JP D1436598 S 3/2012  
JP D1466639 S 4/2013

(73) Assignee: **FUJIFILM Corporation**, Tokyo (JP)

OTHER PUBLICATIONS

(\*\*) Term: **14 Years**

Canon ES 5D Digital, p. 10, cited in the examination of Japanese Design Registration No. 1436598 corresponding to Koyama (USD 669,930), Japanese Patent Office design division publicly known data No. HC19018762, known date Oct. 31, 2007.

(21) Appl. No.: **29/441,165**

(22) Filed: **Jan. 2, 2013**

\* cited by examiner

(30) **Foreign Application Priority Data**

*Primary Examiner* — Adir Aronovich

Jul. 3, 2012 (JP) ..... 2012-015692

(74) *Attorney, Agent, or Firm* — Sughrue Mion, PLLC

(51) **LOC (10) Cl.** ..... **16-05**

(57) **CLAIM**

(52) **U.S. Cl.**  
USPC ..... **D16/219**

The ornamental design for a camera body, as shown and described.

(58) **Field of Classification Search**  
USPC ..... D16/200, 202, 204, 218, 219;  
348/373–376; 359/819, 826–828;  
396/529–532, 535, 540, 541  
See application file for complete search history.

**DESCRIPTION**

(56) **References Cited**

U.S. PATENT DOCUMENTS

7,148,928 B2 12/2006 Minakuti et al.  
D631,496 S \* 1/2011 Tainaka ..... D16/202  
7,868,942 B2 \* 1/2011 Urakami ..... 348/373  
D648,363 S \* 11/2011 Takagi et al. .... D16/219  
D669,930 S \* 10/2012 Koyama et al. .... D16/219  
8,294,816 B2 \* 10/2012 Yasuda et al. .... 348/375  
D677,706 S \* 3/2013 Nojima et al. .... D16/202  
D682,910 S \* 5/2013 Hasuda ..... D16/219  
8,587,717 B2 \* 11/2013 Sakoda et al. .... 348/374  
D694,799 S \* 12/2013 Song et al. .... D16/219

FIG. 1 is a top, front and right side perspective view of a camera body showing our new design;  
FIG. 2 is a front elevational view thereof;  
FIG. 3 is a rear elevational view thereof;  
FIG. 4 is a top plan view thereof;  
FIG. 5 is a bottom plan view thereof;  
FIG. 6 is a right side elevational view thereof; and,  
FIG. 7 is a top, front and right side perspective view thereof with a lens attached.

The portions of the camera body in broken lines are shown for illustrative purposes only and form no part of the claimed design.

**1 Claim, 7 Drawing Sheets**

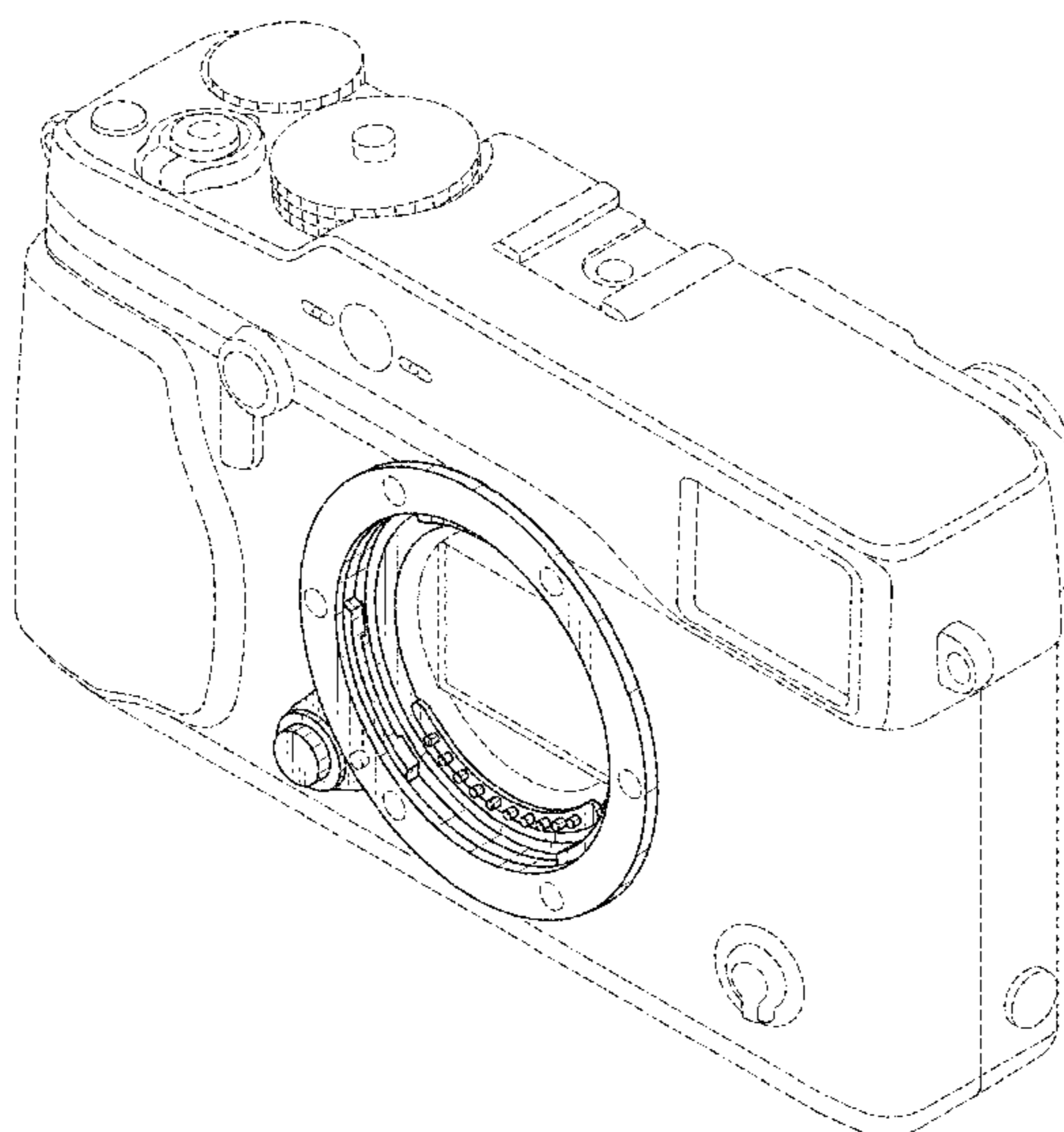


FIG. 1

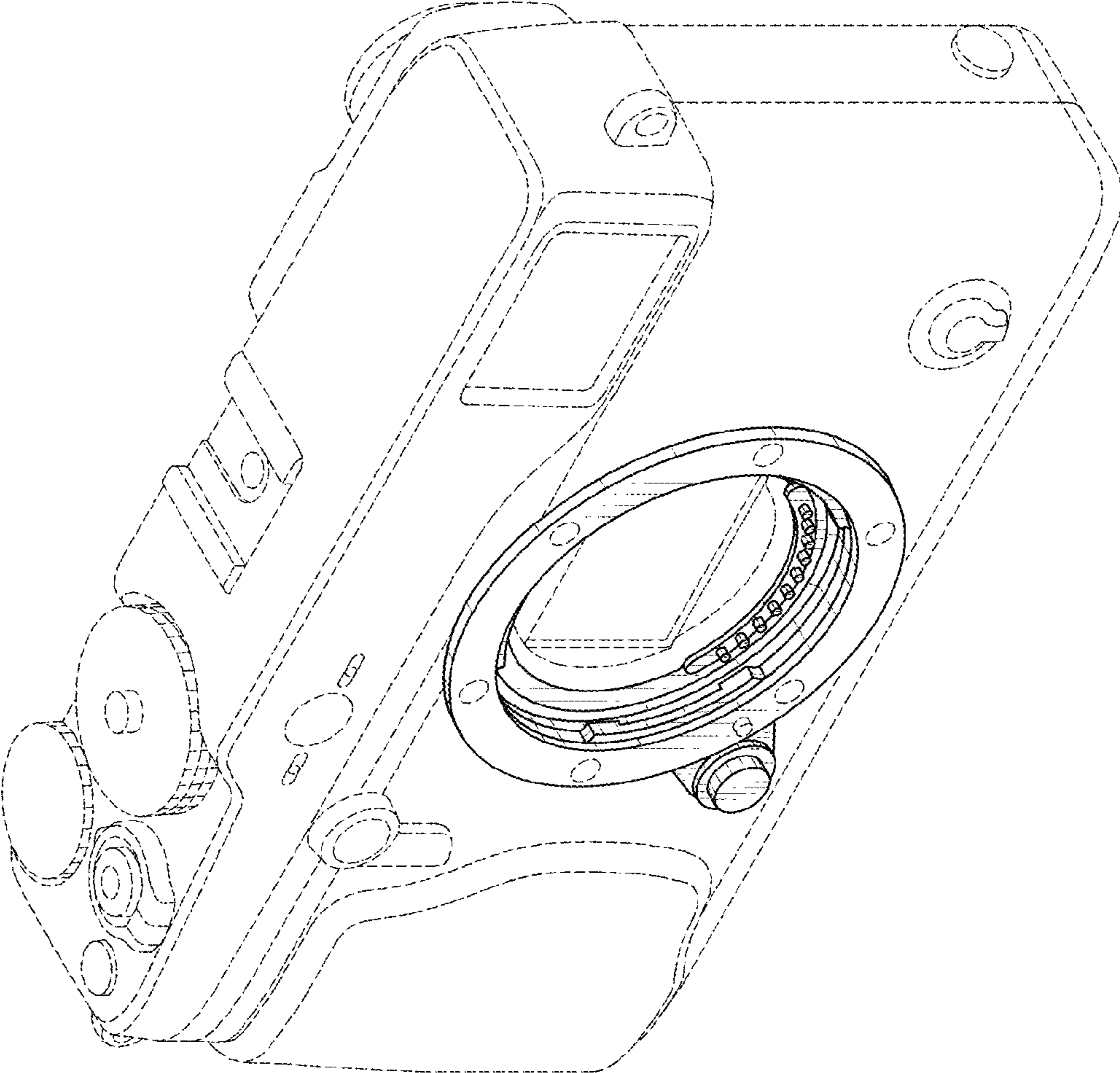


FIG. 2

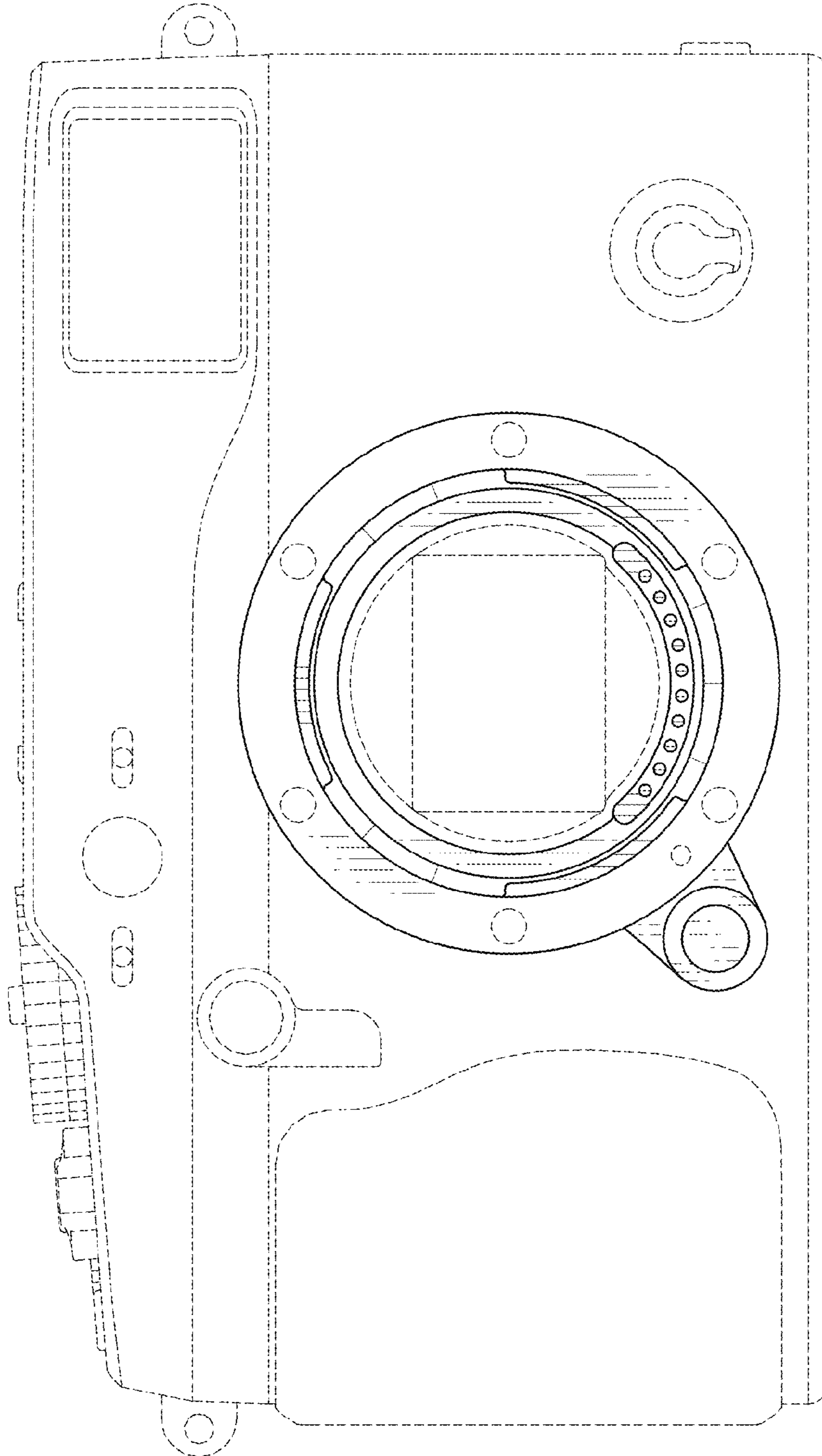


FIG. 3

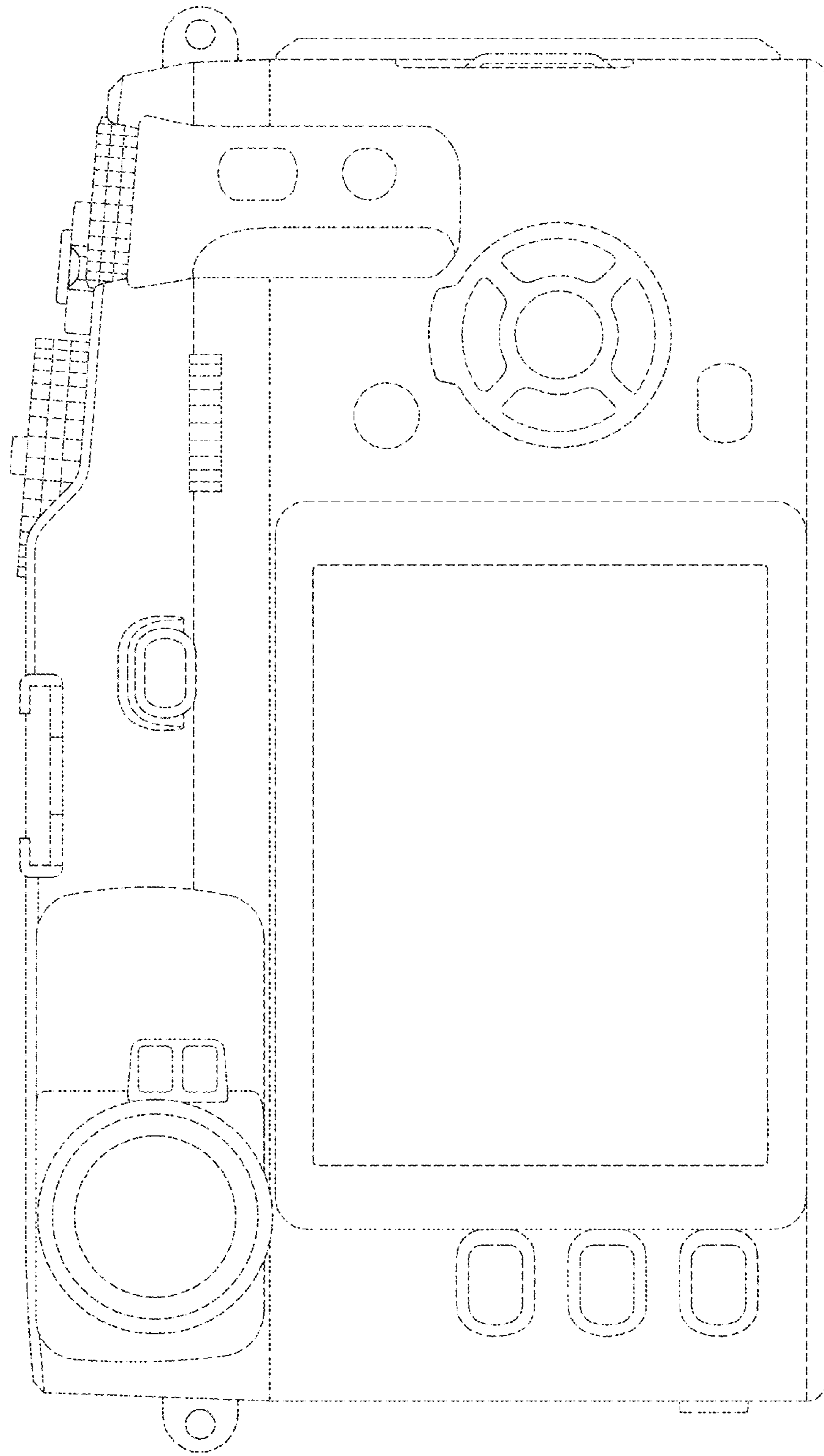


FIG. 4

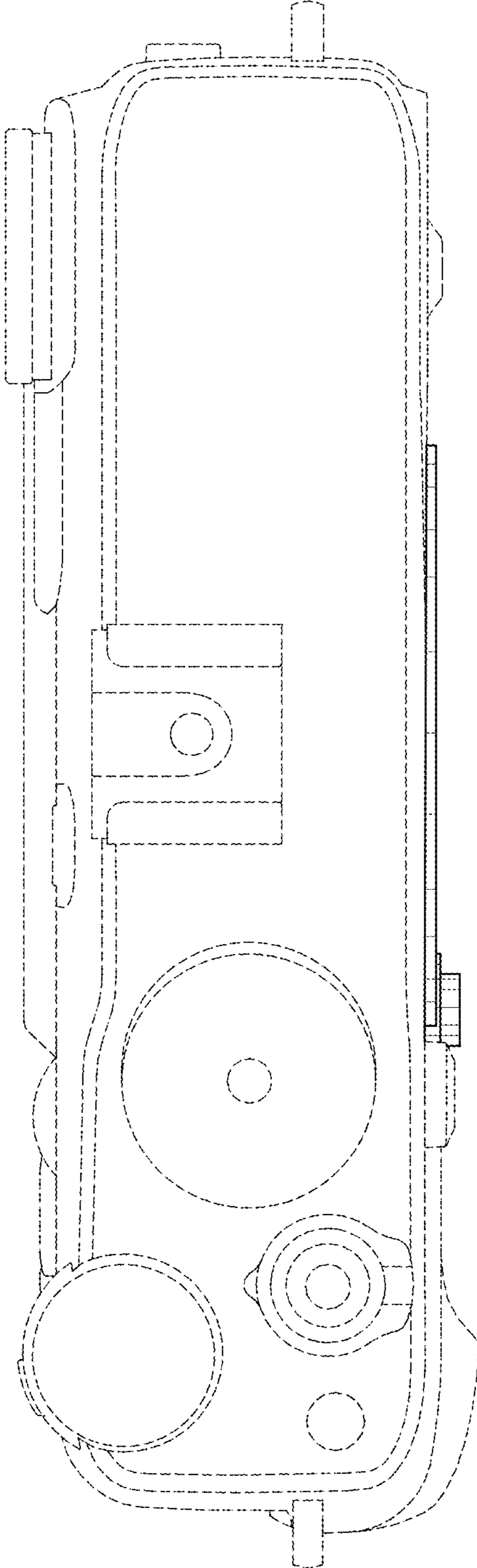


FIG. 6

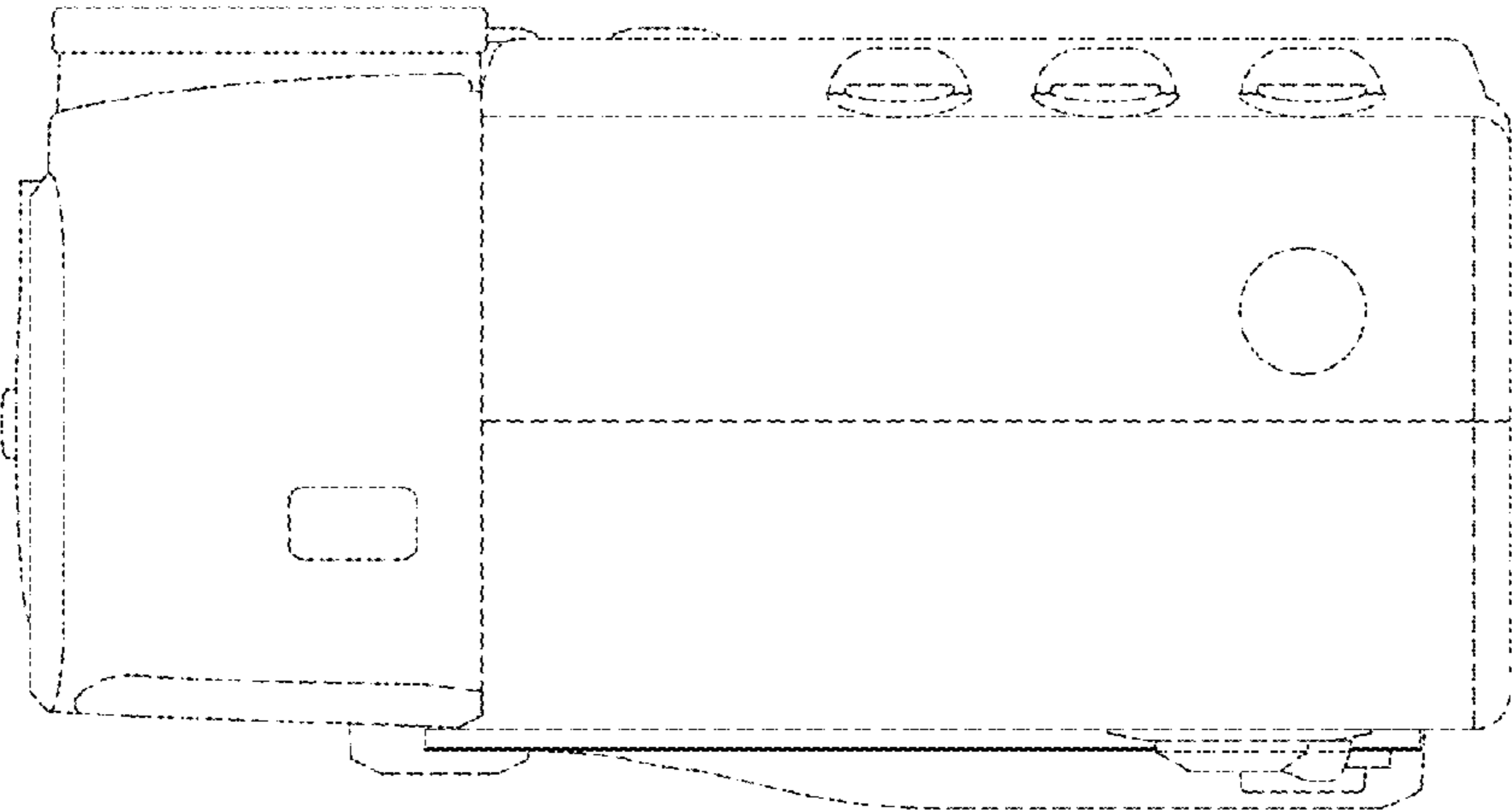


FIG. 6

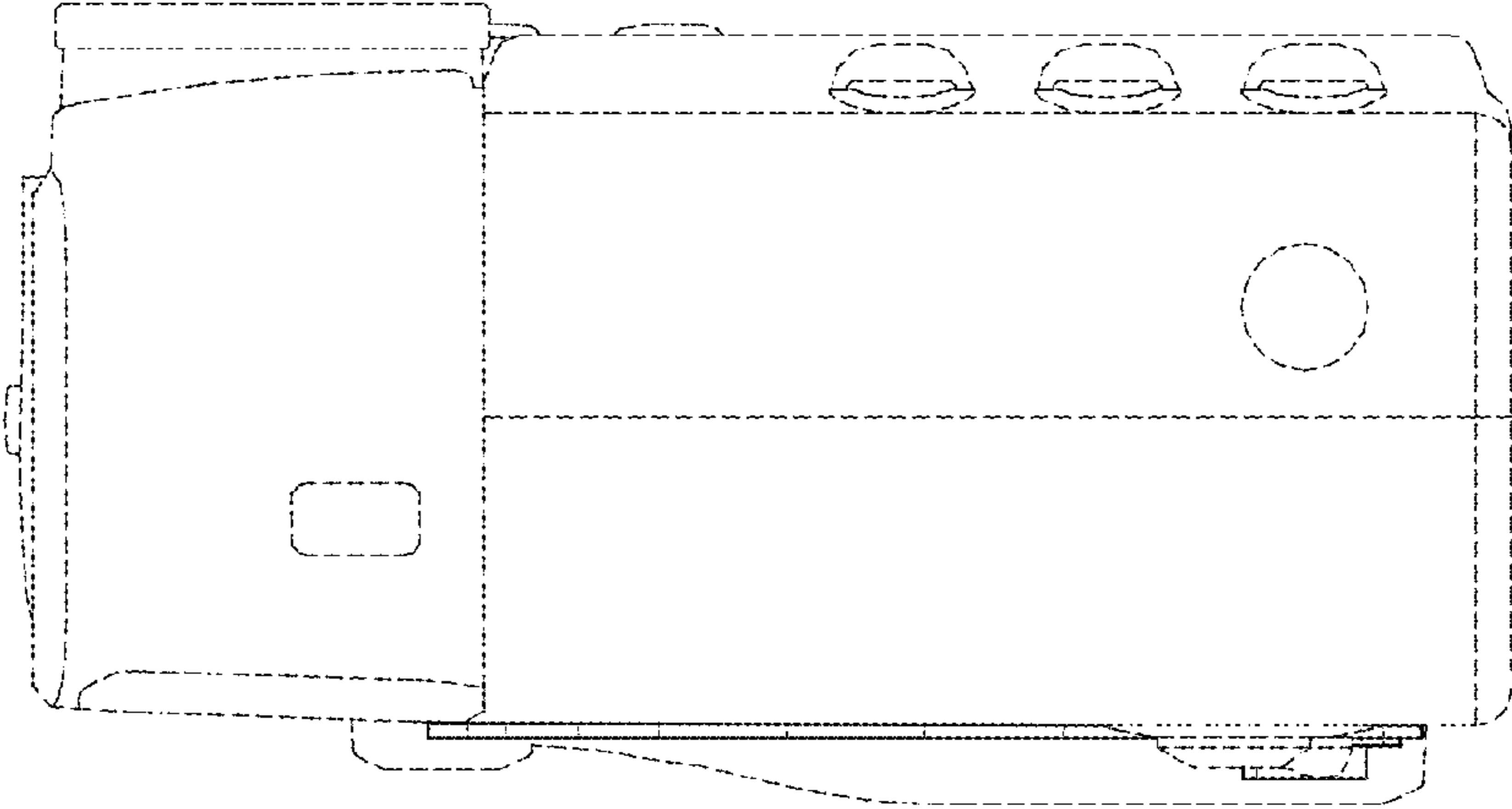


FIG. 7

