



US00D723083S

(12) **United States Design Patent**
Jang et al.

(10) **Patent No.:** **US D723,083 S**

(45) **Date of Patent:** **** Feb. 24, 2015**

(54) **DIGITAL CAMERA**

(71) Applicant: **Samsung Electronics Co., Ltd.**,
Suwon-si (KR)

(72) Inventors: **Young-Sang Jang**, Anyang-si (KR);
Ki-Jin Kwon, Suwon-si (KR);
Eui-Hoon Kim, Uiwang-si (KR)

(73) Assignee: **Samsung Electronics Co., Ltd.**,
Suwon-si (KR)

(**) Term: **14 Years**

(21) Appl. No.: **29/470,803**

(22) Filed: **Oct. 25, 2013**

(30) **Foreign Application Priority Data**

Apr. 26, 2013 (KR) 30-2013-0022088

(51) **LOC (10) Cl.** **16-01**

(52) **U.S. Cl.**
USPC **D16/202**

(58) **Field of Classification Search**
CPC ... H04N 5/247; H04N 5/2251; H04N 5/2252;
H04N 5/2253; H04N 5/2254; G03B 17/02
USPC D16/200, 202, 203, 204, 218, 219;
348/373–376; 358/909.1; 396/535–541
See application file for complete search history.

(56) **References Cited**

U.S. PATENT DOCUMENTS

7,646,426	B2 *	1/2010	Saiki et al.	348/373
7,929,859	B2 *	4/2011	Saiki	396/535
8,014,667	B2 *	9/2011	Saiki	396/535
D669,517	S *	10/2012	Nakamura	D16/202
D688,290	S *	8/2013	Hwang	D16/202
D694,302	S *	11/2013	Lee et al.	D16/202
D694,303	S *	11/2013	Ham et al.	D16/202
D696,327	S *	12/2013	Jang et al.	D16/202
D702,748	S *	4/2014	Muraki et al.	D16/202
D707,742	S *	6/2014	Imamizu	D16/202
D712,950	S *	9/2014	Kwon et al.	D16/202

* cited by examiner

Primary Examiner — Adir Aronovich

(74) *Attorney, Agent, or Firm* — NSIP Law

(57) **CLAIM**

The ornamental design for a digital camera, as shown and described.

DESCRIPTION

FIG. 1 is a front perspective view of a digital camera showing our new design;

FIG. 2 is a front elevational thereof;

FIG. 3 is a rear elevational thereof;

FIG. 4 is a left side elevational thereof;

FIG. 5 is a right side elevational thereof;

FIG. 6 is a top plan thereof; and,

FIG. 7 is a bottom plan thereof.

1 Claim, 4 Drawing Sheets

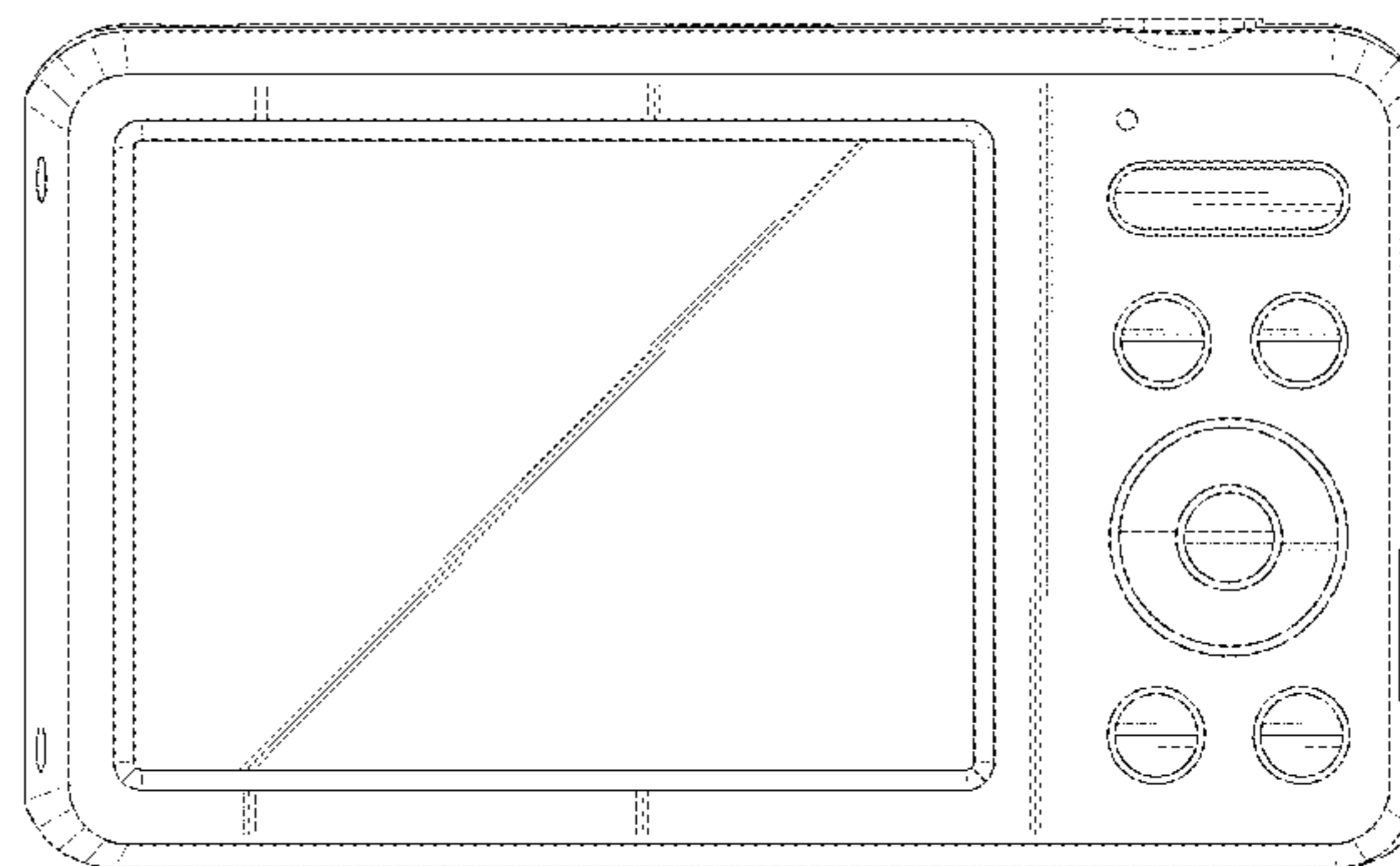
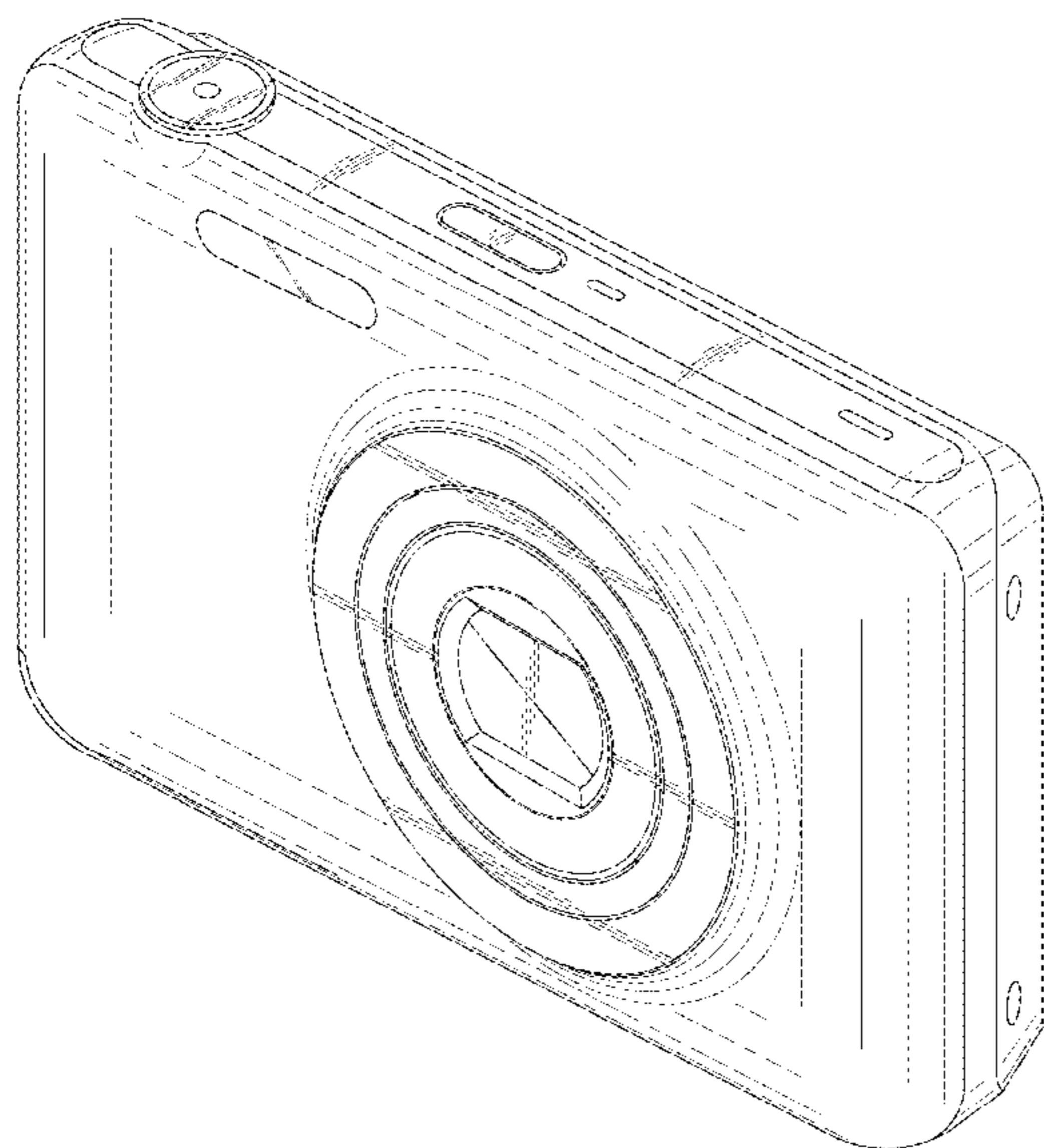


FIG.1

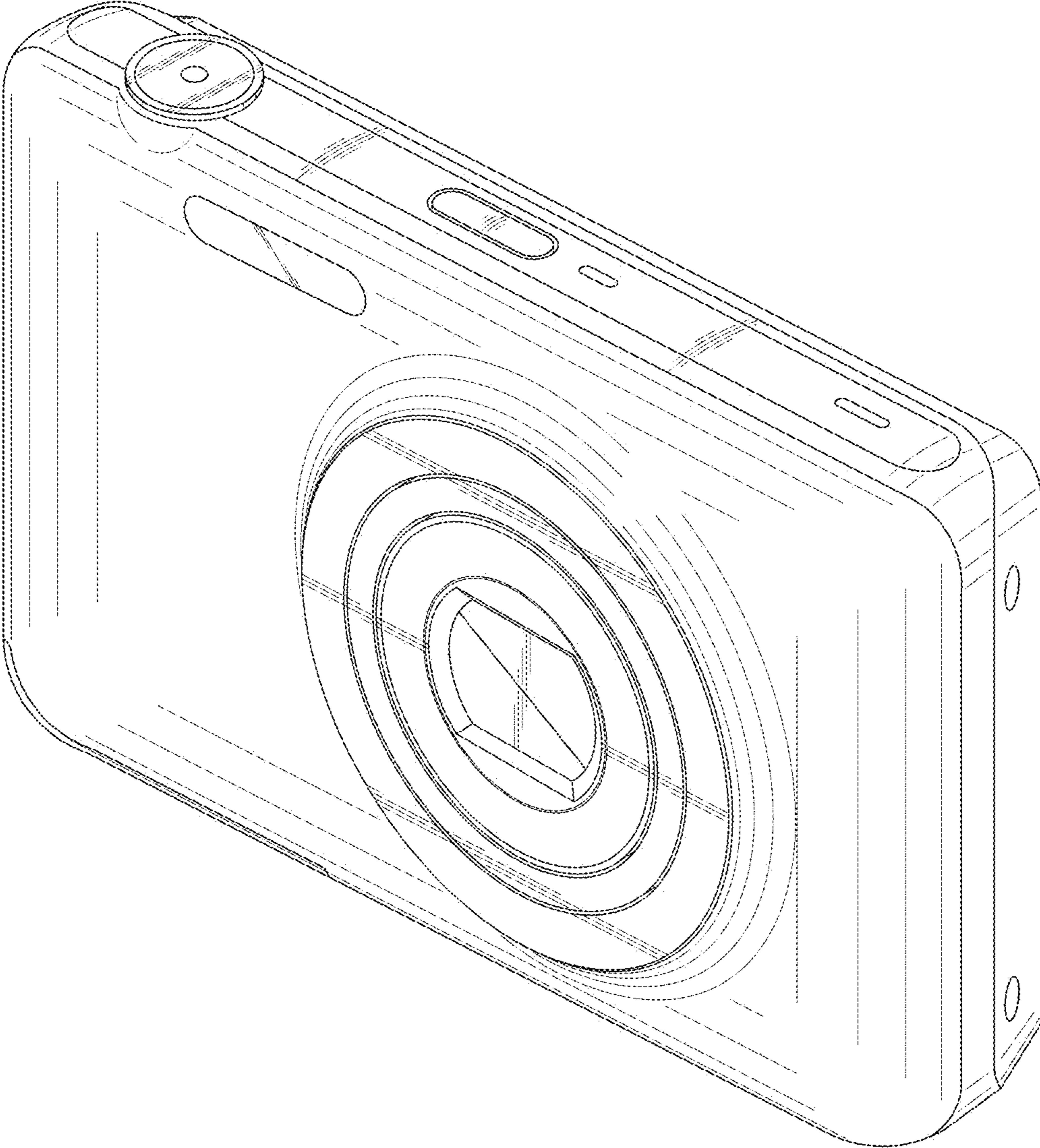


FIG.2

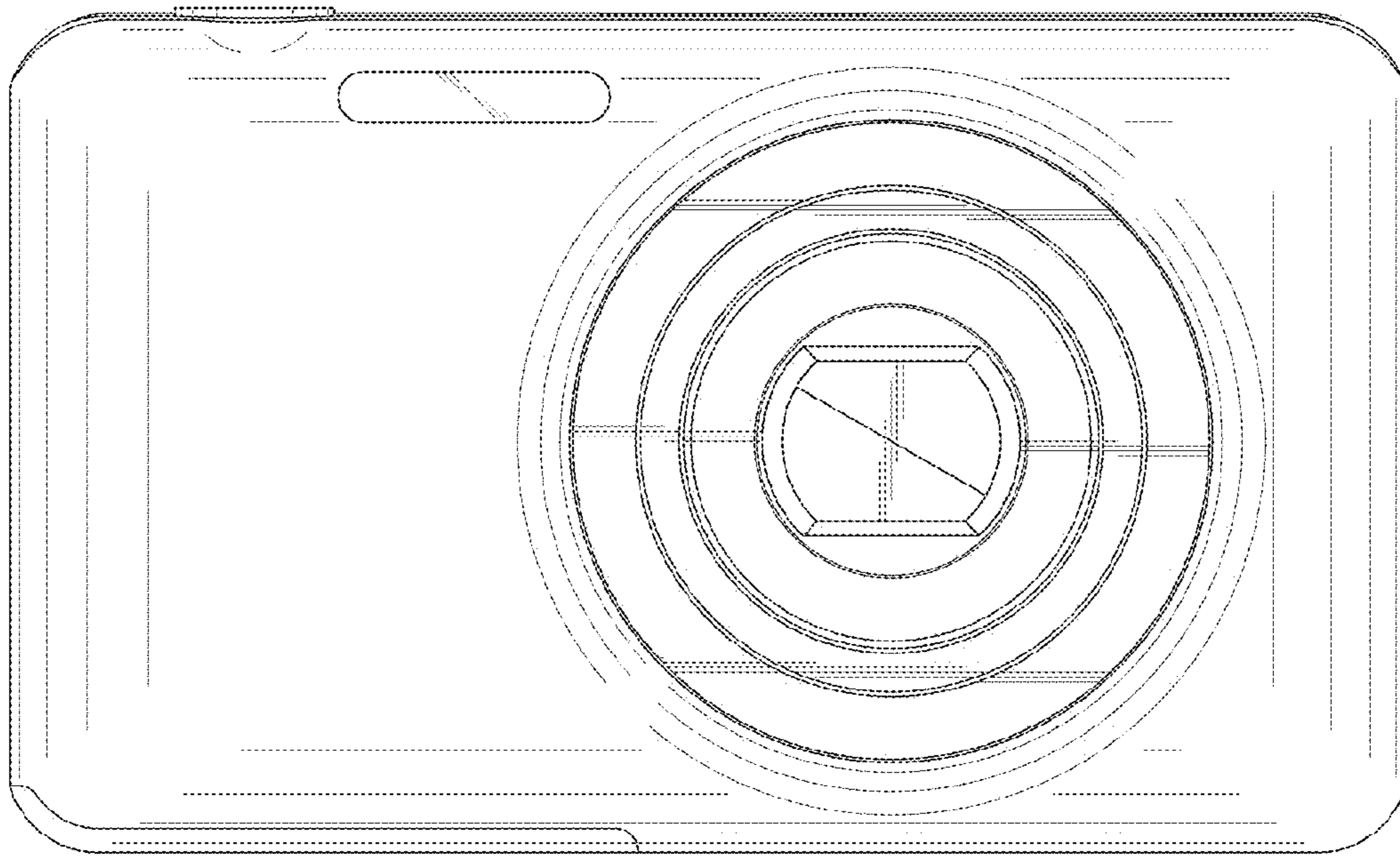


FIG.3

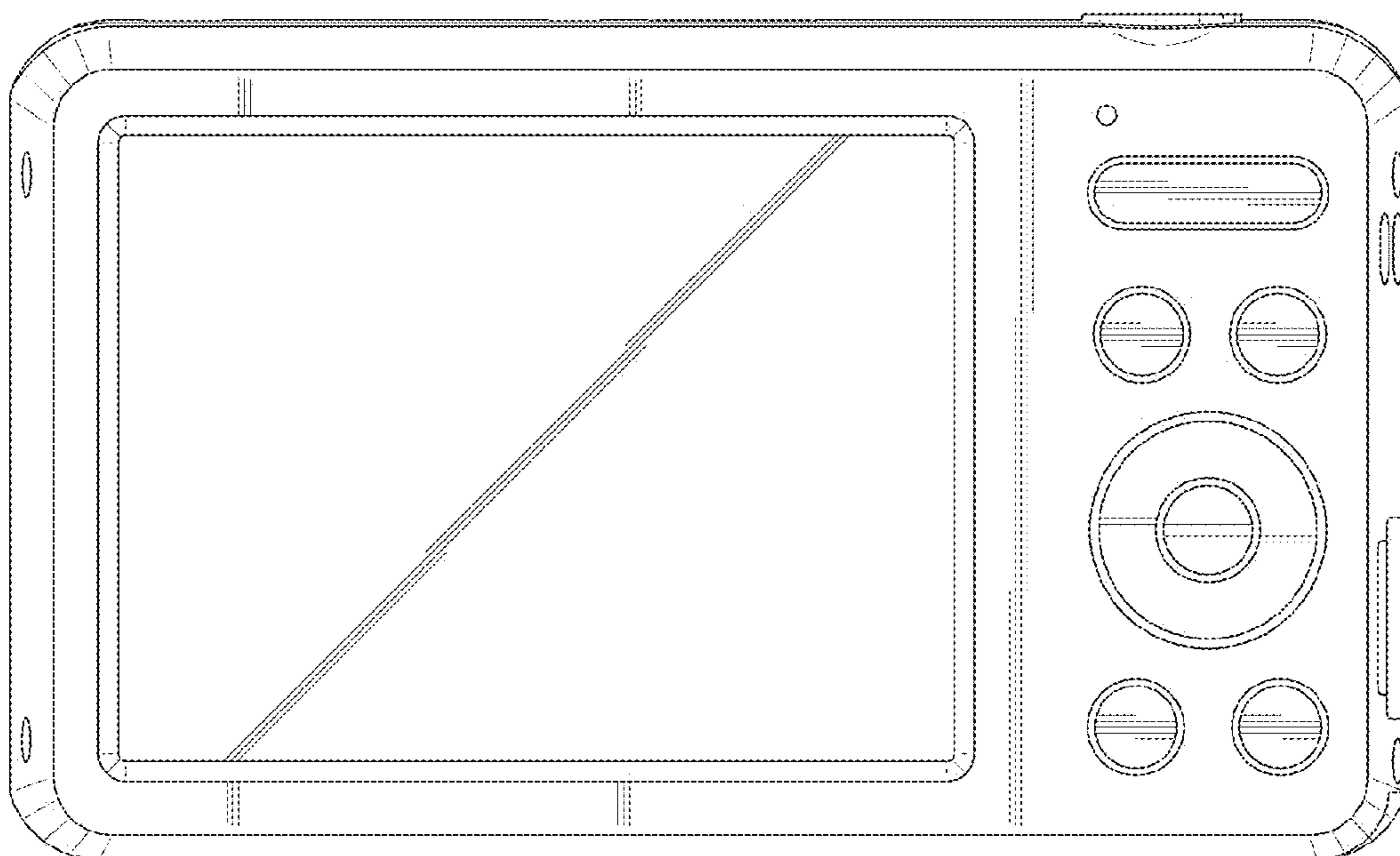


FIG.4

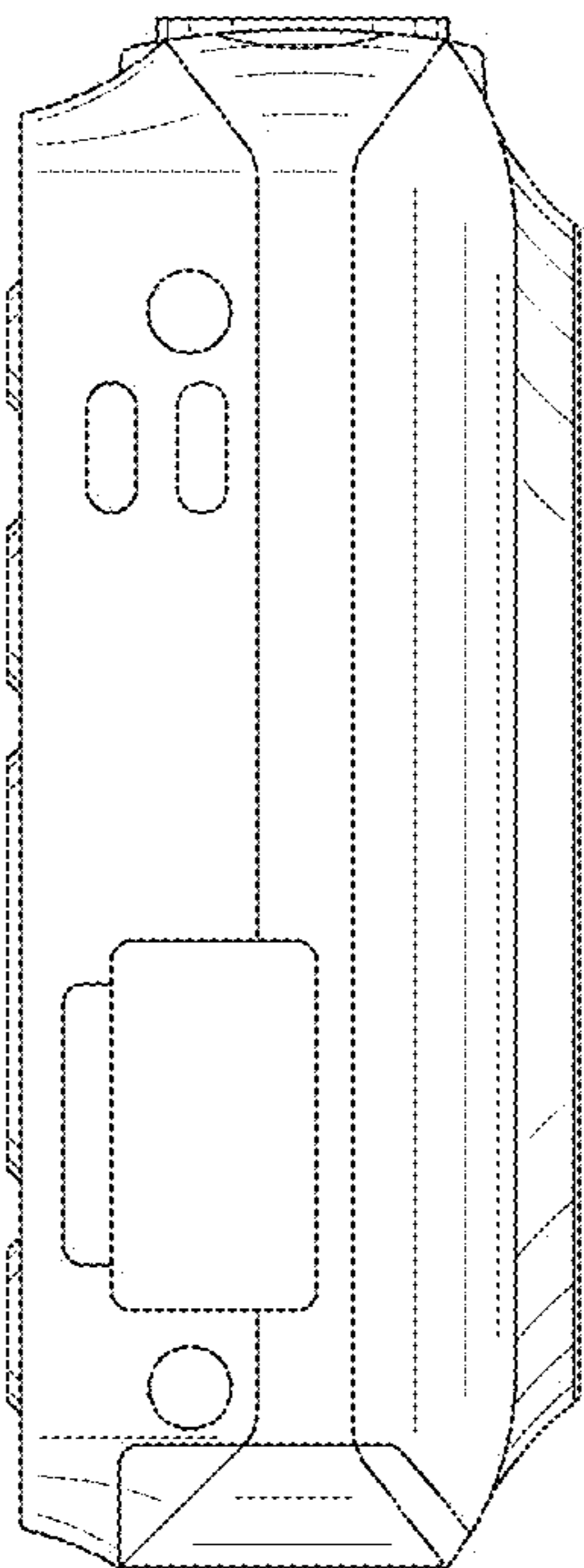


FIG.5

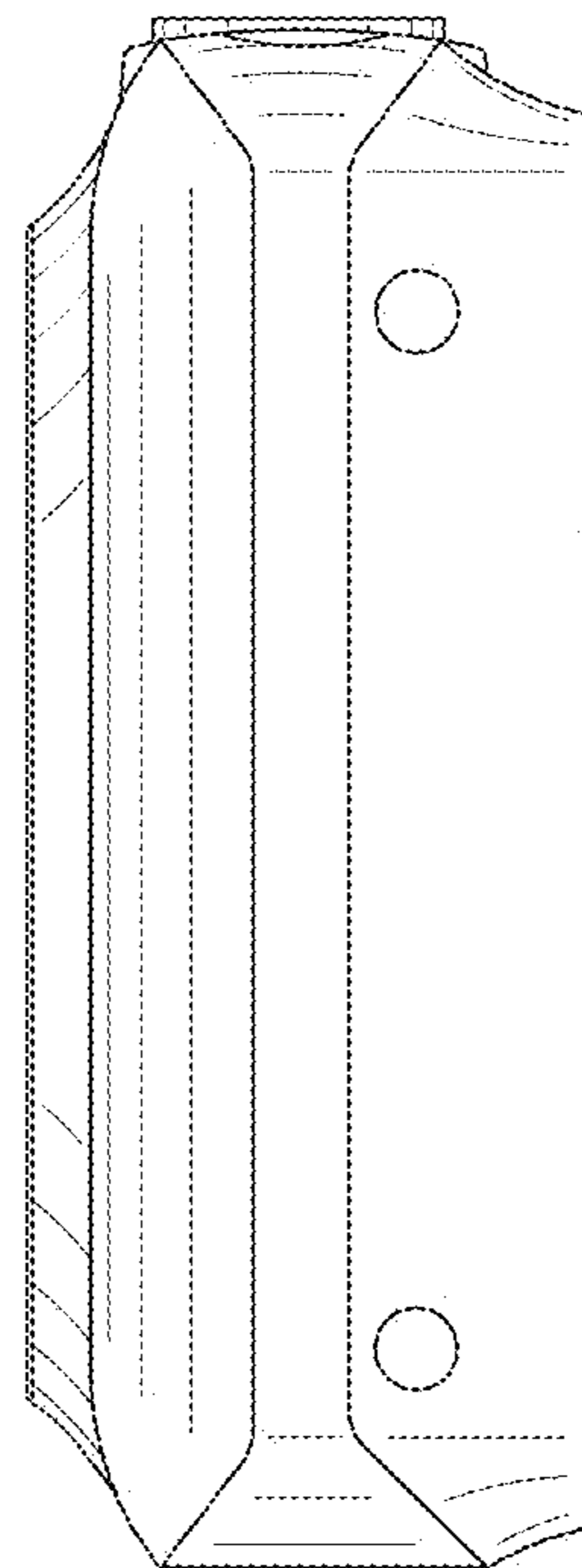


FIG.6

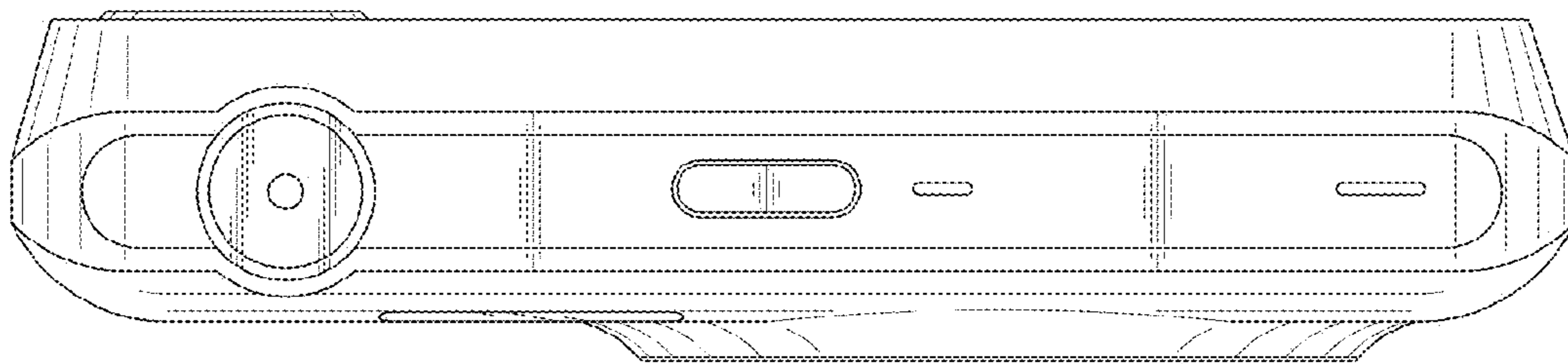


FIG.7

