



US00D723082S

(12) **United States Design Patent**
Kim et al.

(10) **Patent No.:** **US D723,082 S**
(45) **Date of Patent:** **** Feb. 24, 2015**

(54) **CAMERA**

(71) Applicant: **Samsung Electronics Co., Ltd.**,
Suwon-Si, Gyeonggi-Do (KR)

(72) Inventors: **Joon Ha Kim**, Seoul (KR); **Woohyeok Jeong**, Seoul (KR)

(73) Assignee: **Samsung Electronics Co., Ltd.**,
Gyeonggi-do (KR)

(**) Term: **14 Years**

(21) Appl. No.: **29/456,800**

(22) Filed: **Jun. 4, 2013**

(30) **Foreign Application Priority Data**

Dec. 24, 2012 (KR) 30-2012-0062029

(51) **LOC (10) Cl.** **16-01**

(52) **U.S. Cl.**
USPC **D16/202**

(58) **Field of Classification Search**
USPC D16/200, 202-206, 208, 218, 219;
348/373-376; 396/535, 539-541
See application file for complete search history.

(56) **References Cited**

U.S. PATENT DOCUMENTS

D383,766 S *	9/1997	Yamauchi et al.	D16/202
D388,803 S *	1/1998	Shinano	D16/202
D389,500 S *	1/1998	Krekelberg	D16/202
D463,468 S *	9/2002	Fujita et al.	D16/202
D486,843 S *	2/2004	Takahashi	D16/202
D502,199 S *	2/2005	Imai	D16/202

D506,767 S *	6/2005	Imai	D16/202
D627,812 S *	11/2010	Oikawa et al.	D16/202
D663,345 S *	7/2012	Tanifuji	D16/219
D664,177 S *	7/2012	Oikawa et al.	D16/202
D682,335 S *	5/2013	Kim et al.	D16/202
2004/0252226 A1 *	12/2004	Chou	348/375
2007/0071438 A1 *	3/2007	Huang et al.	396/535

* cited by examiner

Primary Examiner — Philip S Hyder

Assistant Examiner — Ramzi Almatrahi

(74) *Attorney, Agent, or Firm* — Harness, Dickey & Pierce, P.L.C.

(57) **CLAIM**

The ornamental design for a camera, as shown and described.

DESCRIPTION

FIG. 1 is a front, right and top perspective view of a camera showing our new design;

FIG. 2 is a front elevational view thereof;

FIG. 3 is a rear elevational view thereof;

FIG. 4 is a left-side elevational view thereof;

FIG. 5 is a right-side elevational view thereof;

FIG. 6 is a top plan view thereof;

FIG. 7 is a bottom plan view thereof; and

FIG. 8 is a front, right and top perspective view thereof, with a cover that slides on the camera, the cover is shown in dash-dot-dot lines for environmental purposes only and forms no part of the claimed design.

The broken lines depict portions of the camera in which the design is embodied that are not considered part of the claimed design.

1 Claim, 5 Drawing Sheets

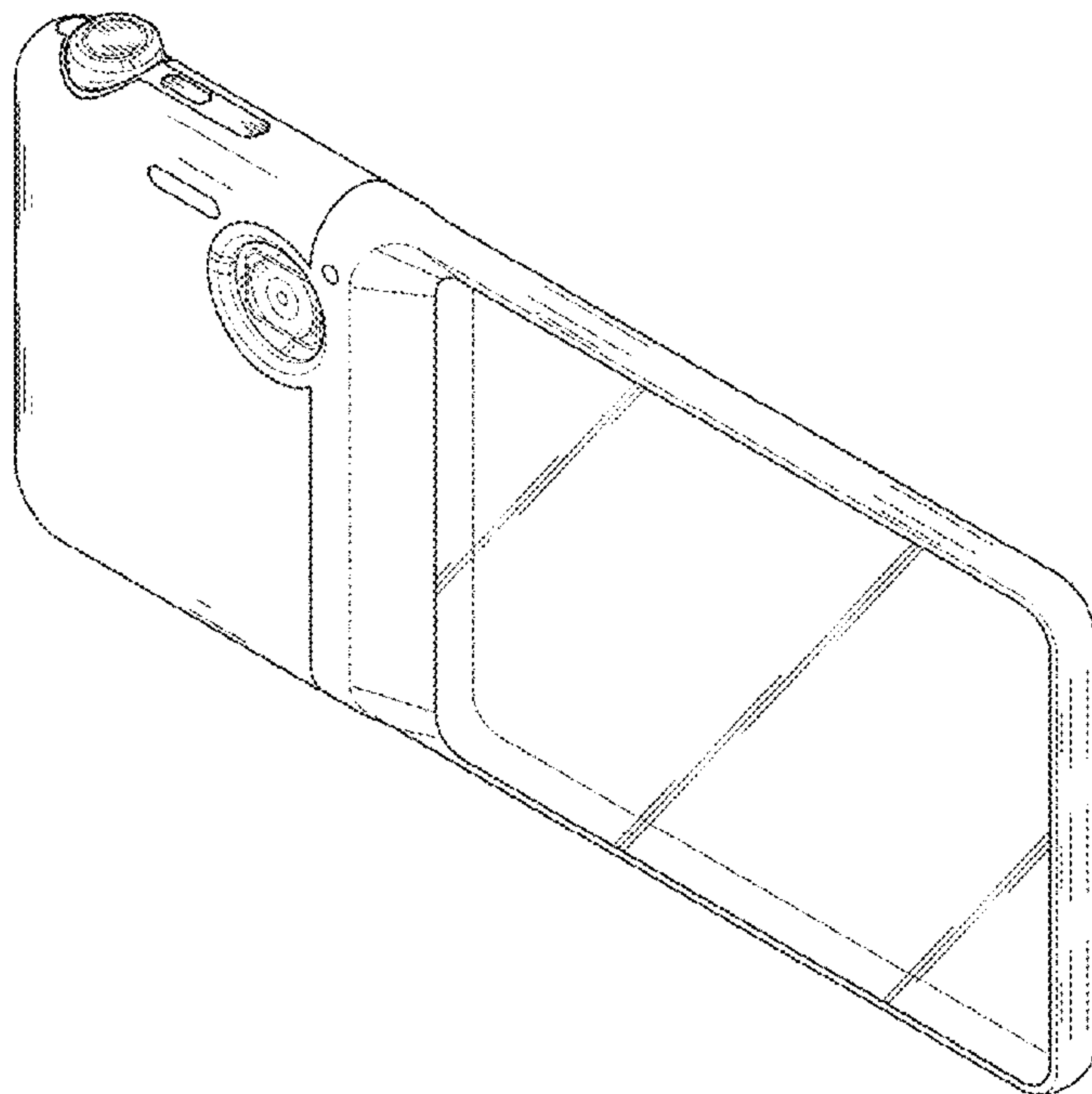


FIG.1

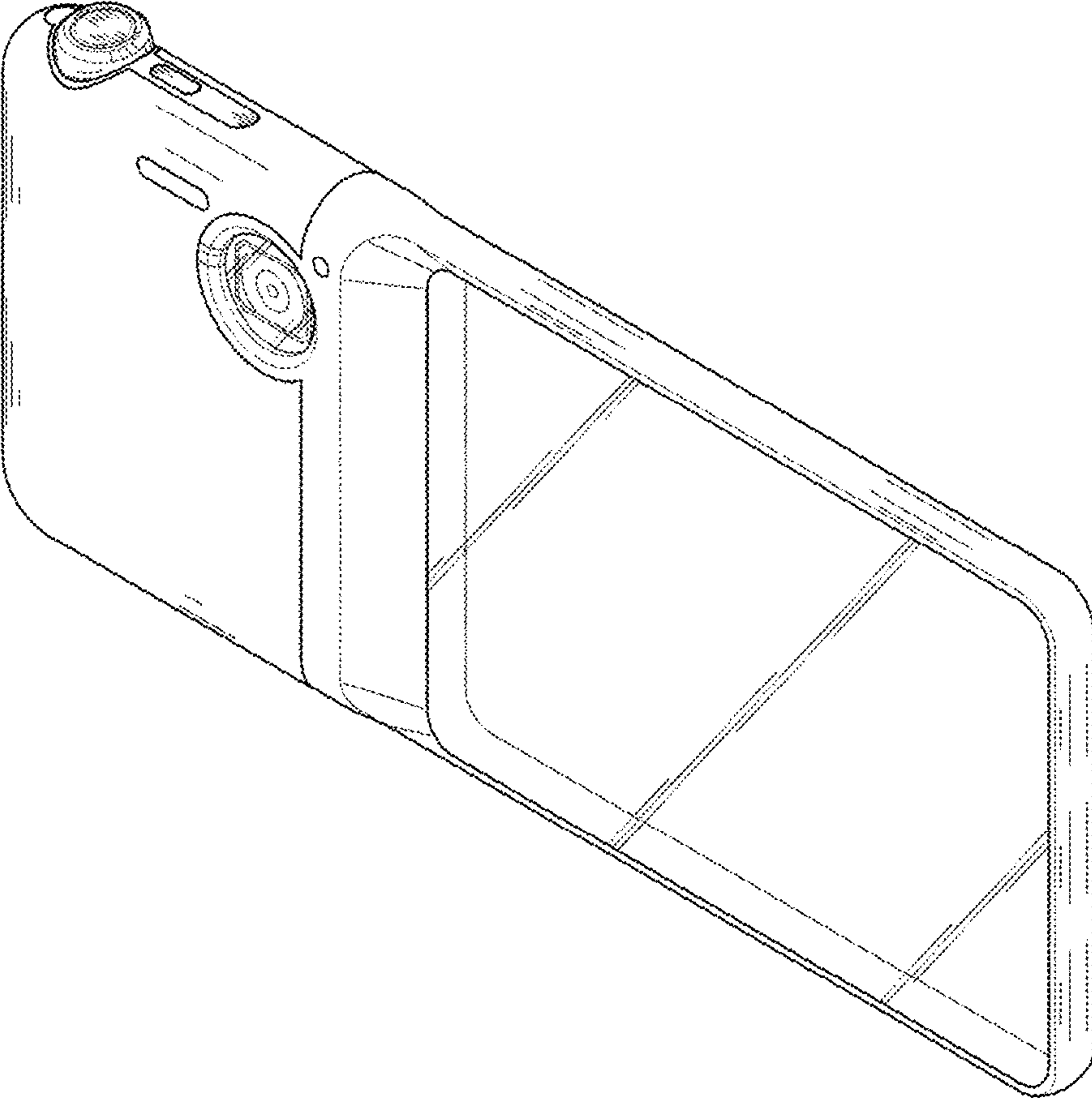


FIG.2

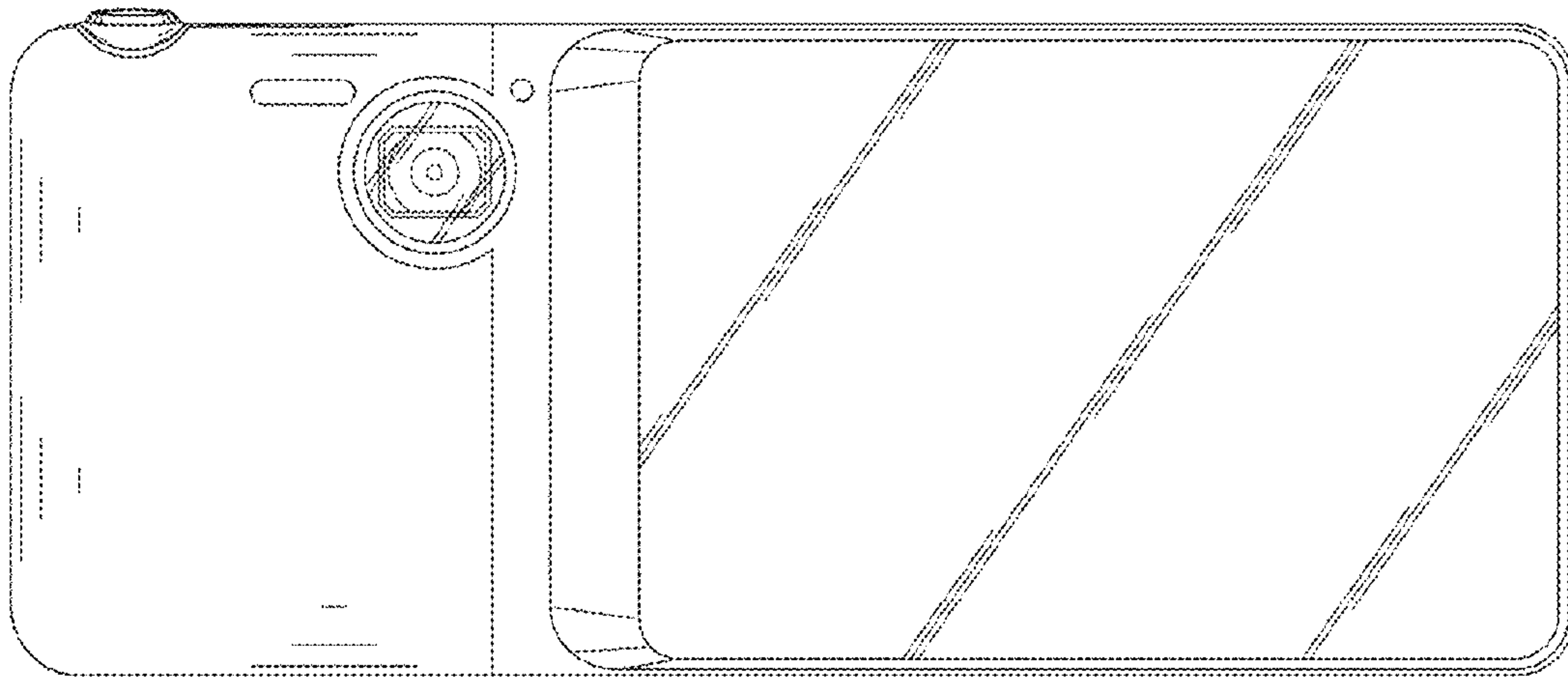


FIG.3

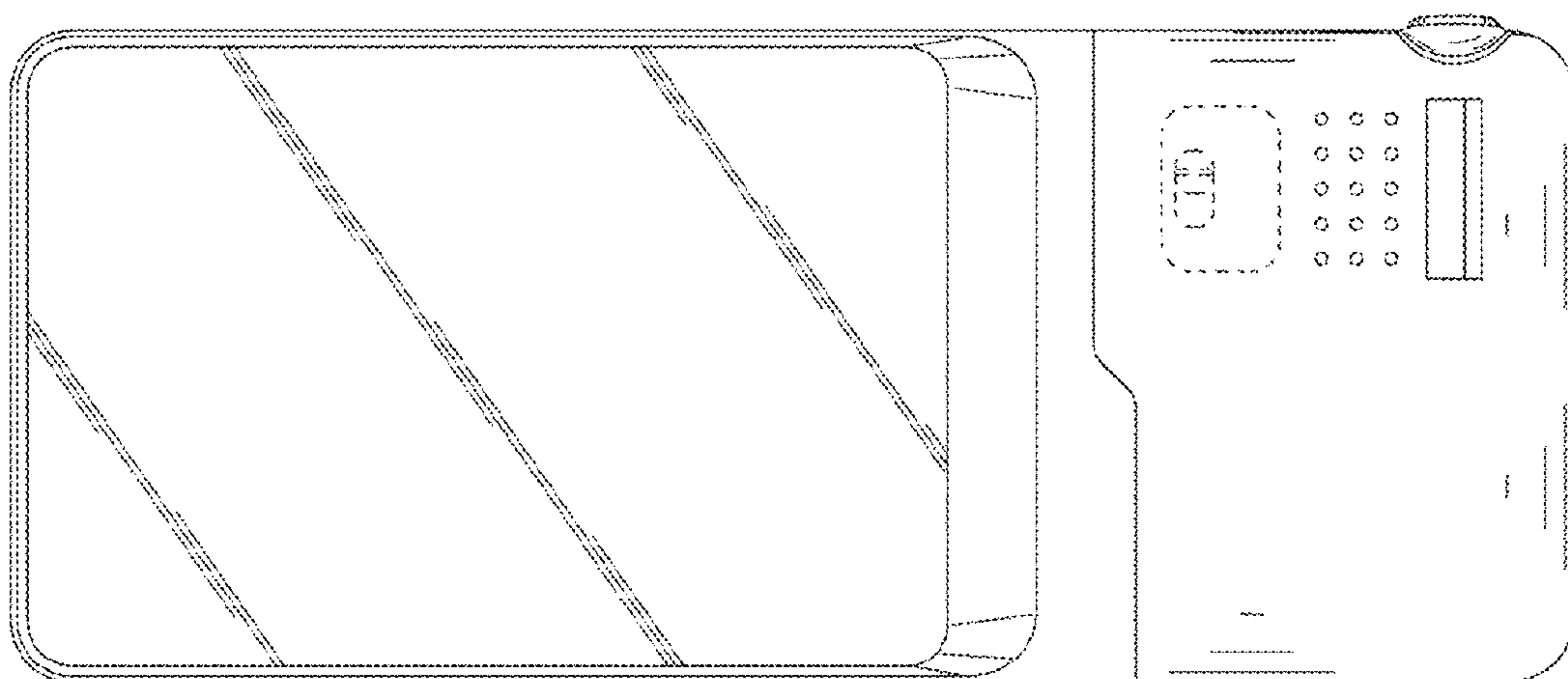


FIG.4

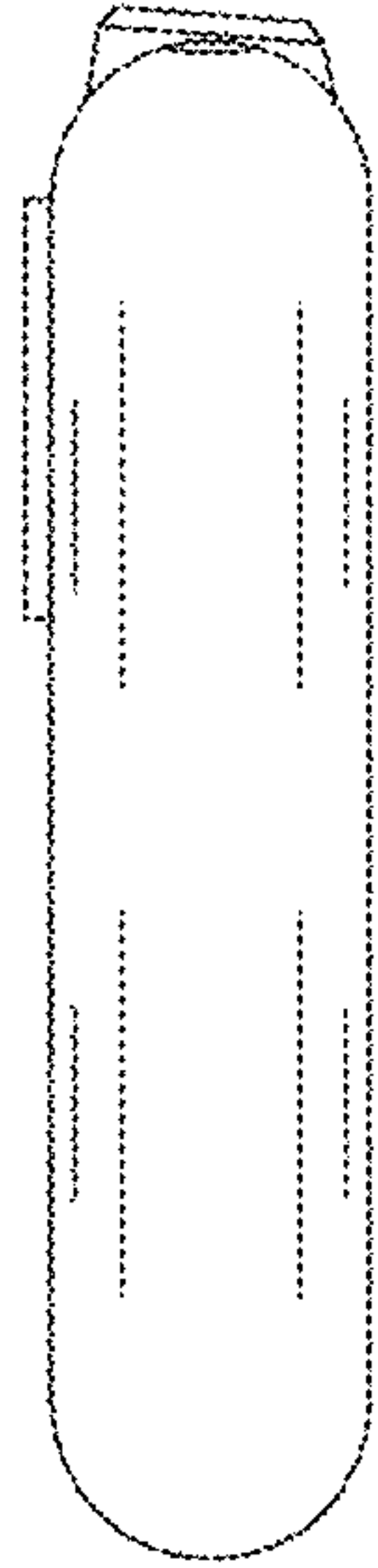


FIG.5

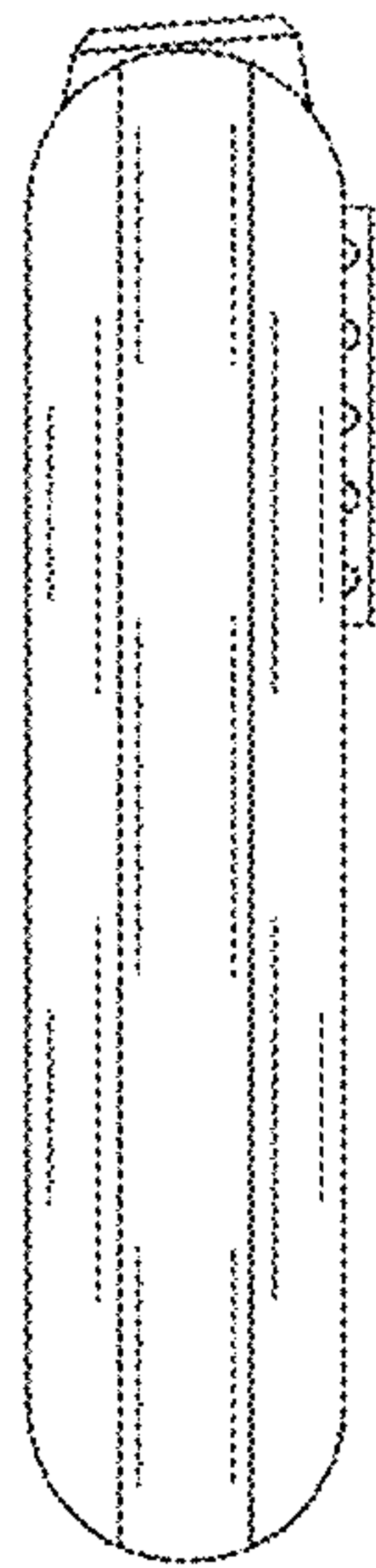


FIG.6

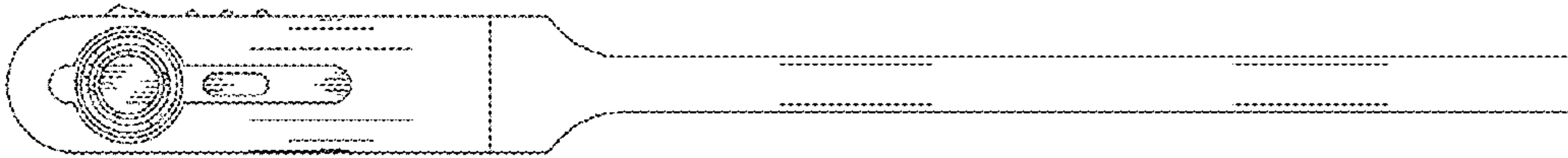


FIG.7

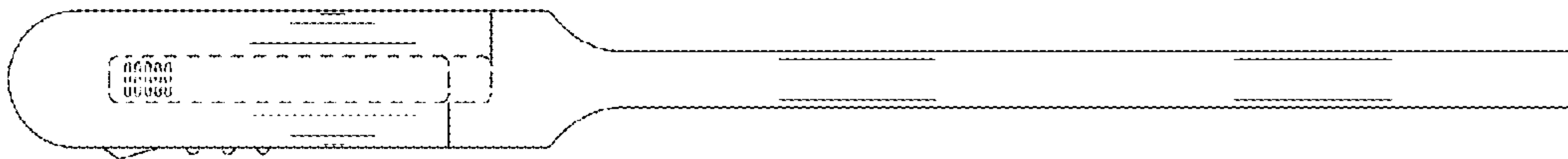


FIG.8

