



US00D723081S

(12) **United States Design Patent**  
**May**

(10) **Patent No.:** **US D723,081 S**

(45) **Date of Patent:** **\*\* Feb. 24, 2015**

- (54) **ILLUMINATING MAGNIFIER APPARATUS**
- (71) Applicant: **Richard L. May**, Hardwick, MA (US)
- (72) Inventor: **Richard L. May**, Hardwick, MA (US)
- (\*\*) Term: **14 Years**
- (21) Appl. No.: **29/470,418**
- (22) Filed: **Oct. 21, 2013**

**Related U.S. Application Data**

- (63) Continuation-in-part of application No. 13/171,522, filed on Jun. 29, 2011, now abandoned.
- (51) **LOC (10) Cl.** ..... **16-06**
- (52) **U.S. Cl.**  
USPC ..... **D16/135**
- (58) **Field of Classification Search**  
CPC ..... G02B 25/02  
USPC ..... D16/130, 135, 136; D26/51, 61-65, 38, D26/44, 67, 60; D21/333; 359/798, 359/802-803, 805, 808-810, 812, 813, 819, 359/830; 362/268, 235, 105, 116; 607/88; D3/208; 70/456 R; 206/216  
See application file for complete search history.

(56) **References Cited**

**U.S. PATENT DOCUMENTS**

|           |     |         |                   |       |         |
|-----------|-----|---------|-------------------|-------|---------|
| 1,415,511 | A * | 5/1922  | Bausch            | ..... | 359/812 |
| 1,960,114 | A * | 5/1934  | Lindsay           | ..... | 359/802 |
| 2,166,988 | A * | 7/1939  | Fosdick           | ..... | 359/711 |
| 2,377,056 | A * | 5/1945  | Tontrup           | ..... | 359/802 |
| 2,827,722 | A * | 3/1958  | Leclerc           | ..... | 40/209  |
| 3,351,751 | A * | 11/1967 | Stube et al.      | ..... | 362/186 |
| D275,037  | S * | 8/1984  | Saferstein et al. | ..... | D26/51  |
| D286,082  | S * | 10/1986 | Shwisha           | ..... | D26/61  |
| 4,744,019 | A * | 5/1988  | Krogstrup         | ..... | 362/402 |
| 4,796,162 | A * | 1/1989  | Krogstrup         | ..... | 362/33  |

|           |      |         |                 |       |         |
|-----------|------|---------|-----------------|-------|---------|
| 4,958,913 | A *  | 9/1990  | Schaffer        | ..... | 359/819 |
| D319,889  | S *  | 9/1991  | Lu              | ..... | D26/51  |
| D334,759  | S *  | 4/1993  | Meyer et al.    | ..... | D16/135 |
| D361,633  | S *  | 8/1995  | Chabria         | ..... | D26/37  |
| D382,577  | S *  | 8/1997  | Waldmann        | ..... | D16/135 |
| 5,680,260 | A *  | 10/1997 | Farcella et al. | ..... | 359/819 |
| D390,678  | S *  | 2/1998  | Matthes         | ..... | D26/37  |
| D433,170  | S *  | 10/2000 | Chan            | ..... | D26/38  |
| D463,054  | S *  | 9/2002  | Huang           | ..... | D26/60  |
| D467,921  | S *  | 12/2002 | Lin             | ..... | D14/385 |
| 6,663,266 | B2 * | 12/2003 | Huang           | ..... | 362/402 |
| D489,383  | S *  | 5/2004  | Overholser      | ..... | D16/101 |
| D490,553  | S *  | 5/2004  | Waldmann        | ..... | D26/61  |
| D491,314  | S *  | 6/2004  | Cousins         | ..... | D28/77  |
| D505,219  | S *  | 5/2005  | Jacquelin       | ..... | D26/51  |
| D526,340  | S *  | 8/2006  | Hodgson         | ..... | D16/135 |
| D526,673  | S *  | 8/2006  | Hodgson         | ..... | D16/135 |
| D590,426  | S *  | 4/2009  | Cameron et al.  | ..... | D16/135 |
| D597,238  | S *  | 7/2009  | Lu et al.       | ..... | D26/61  |
| D597,239  | S *  | 7/2009  | Hodgson         | ..... | D26/65  |

(Continued)

*Primary Examiner* — Paula Greene

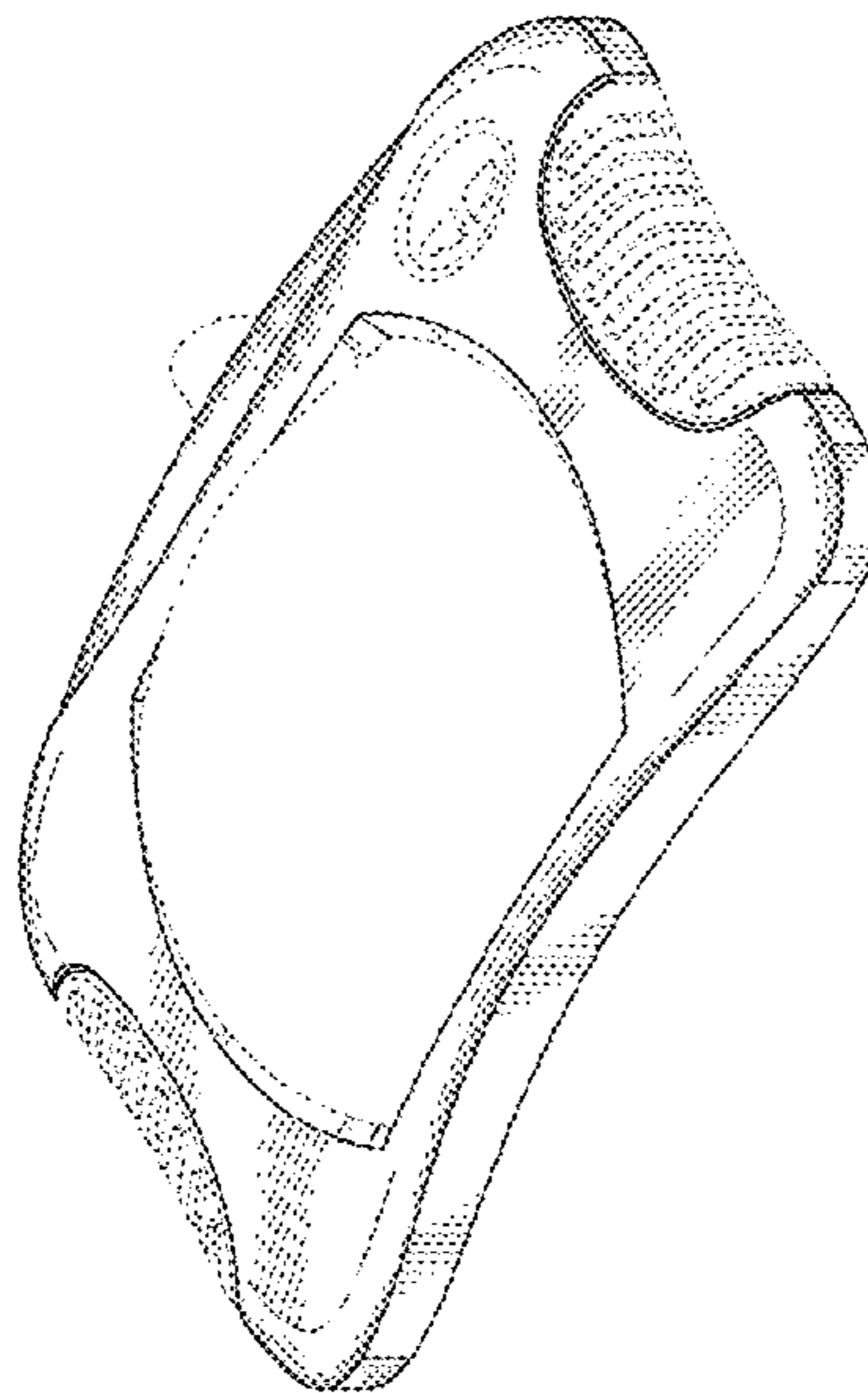
(57) **CLAIM**

The ornamental design for an illuminating magnifier apparatus, substantially as shown and described.

**DESCRIPTION**

FIG. 1 is a top perspective view of the illuminating magnifier employing my new design;  
 FIG. 2 is a top view of FIG. 1;  
 FIG. 3 is a bottom perspective exploded view of FIG. 1;  
 FIG. 4 is a bottom perspective assembled view of FIG. 3;  
 FIG. 5 is a left side view of FIG. 1;  
 FIG. 6 is a right side view of FIG. 1;  
 FIG. 7 is a front end view of FIG. 1; and,  
 FIG. 8 is a rear end view of FIG. 1.  
 The broken line showing of environment in the drawings is included for the purpose of illustrating only and forms no part of the claimed design.

**1 Claim, 8 Drawing Sheets**



(56)

**References Cited**

U.S. PATENT DOCUMENTS

|                |         |                |       |         |                   |         |             |       |         |
|----------------|---------|----------------|-------|---------|-------------------|---------|-------------|-------|---------|
| D597,240 S *   | 7/2009  | Hodgson        | ..... | D26/65  | D656,527 S *      | 3/2012  | May         | ..... | D16/135 |
| D629,433 S *   | 12/2010 | Holland        | ..... | D16/135 | D667,859 S *      | 9/2012  | Chen et al. | ..... | D16/135 |
| D636,513 S *   | 4/2011  | Furtsch        | ..... | D26/51  | D688,289 S *      | 8/2013  | Hodgson     | ..... | D16/135 |
| 7,980,722 B2 * | 7/2011  | Coleman et al. | ..... | 362/138 | 2002/0051304 A1 * | 5/2002  | Jung        | ..... | 359/802 |
|                |         |                |       |         | 2003/0210553 A1 * | 11/2003 | Huang       | ..... | 362/402 |
|                |         |                |       |         | 2009/0009891 A1 * | 1/2009  | Chen et al. | ..... | 359/802 |
|                |         |                |       |         | 2014/0036379 A1 * | 2/2014  | May         | ..... | 359/802 |

\* cited by examiner

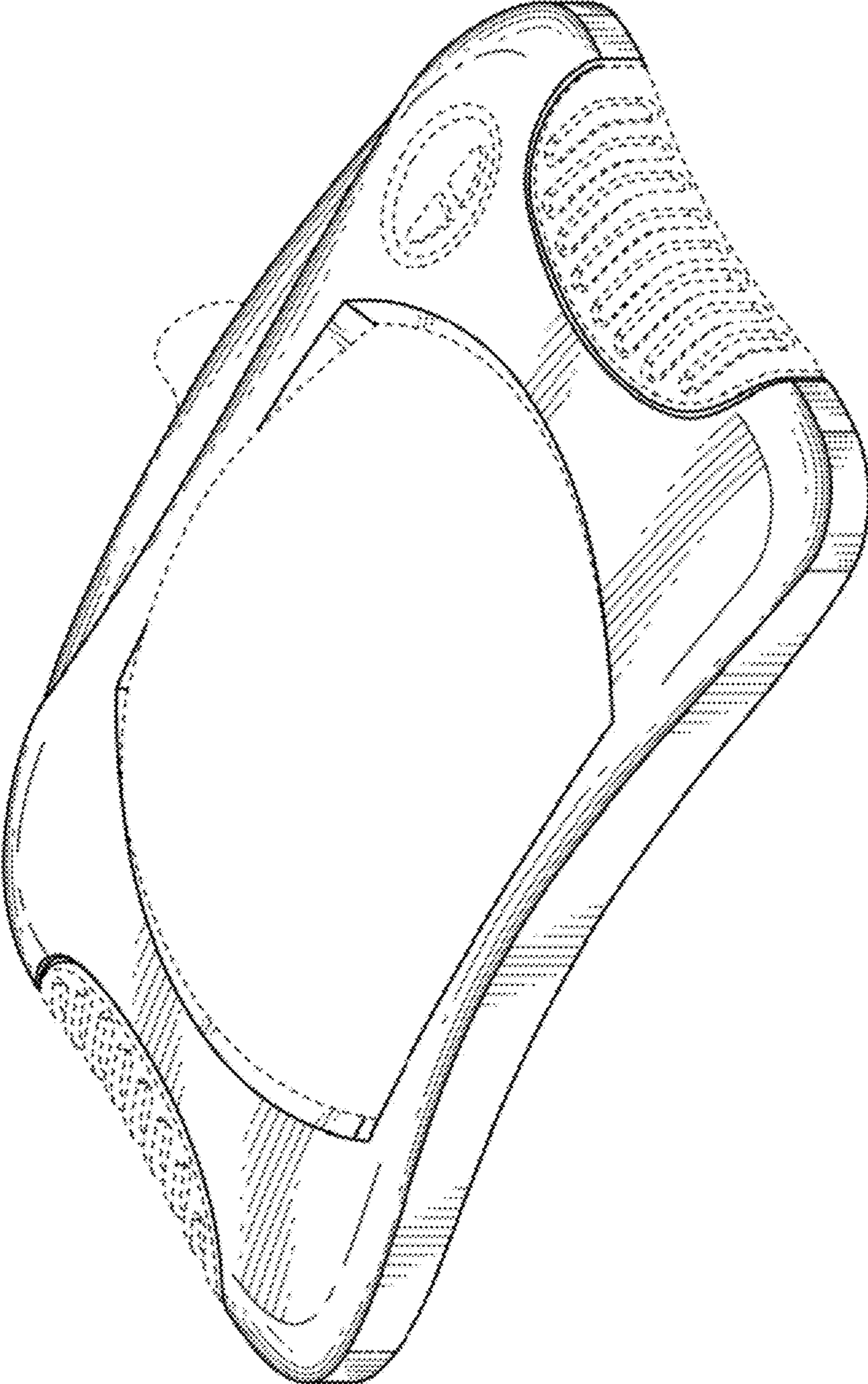


FIG. 1



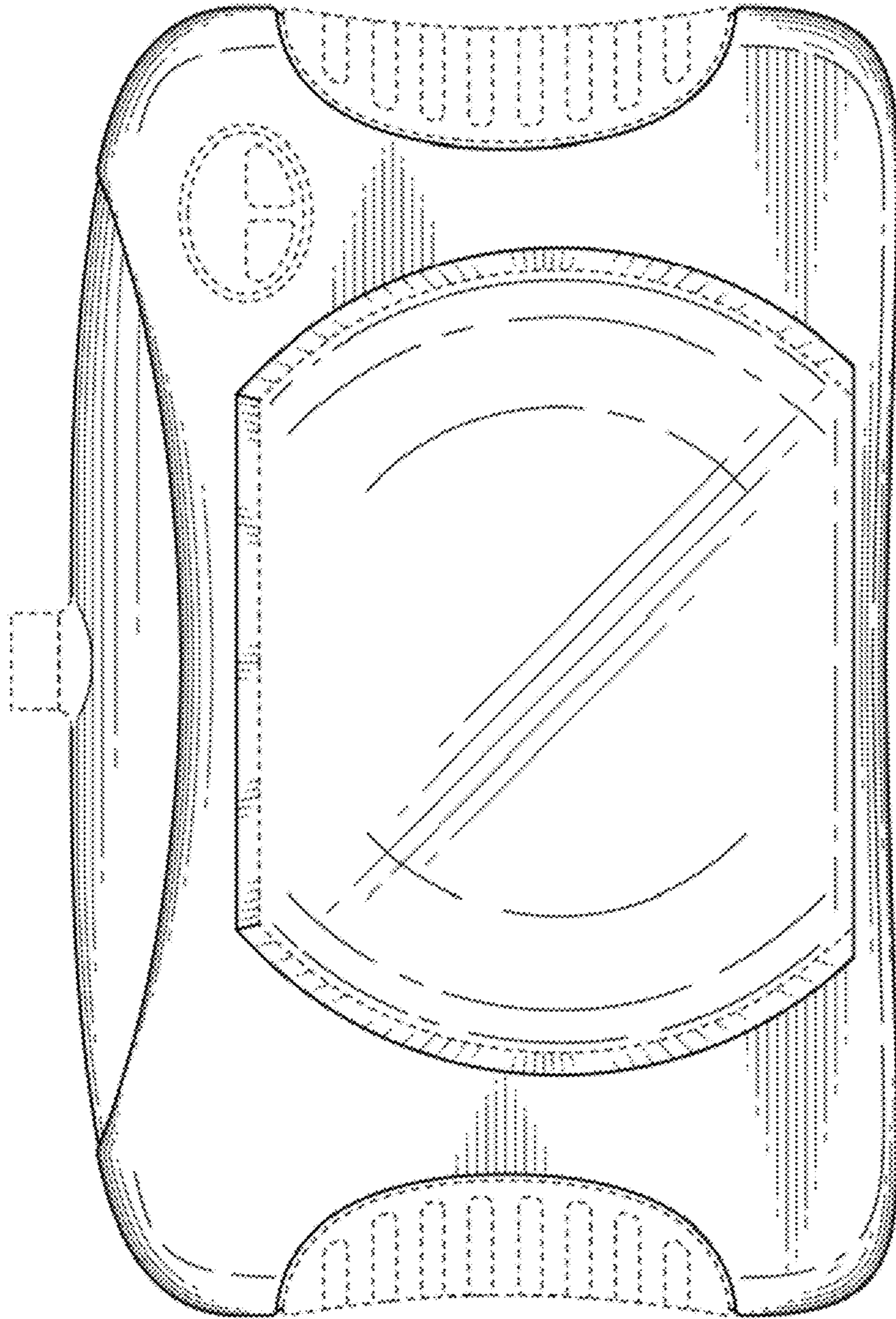
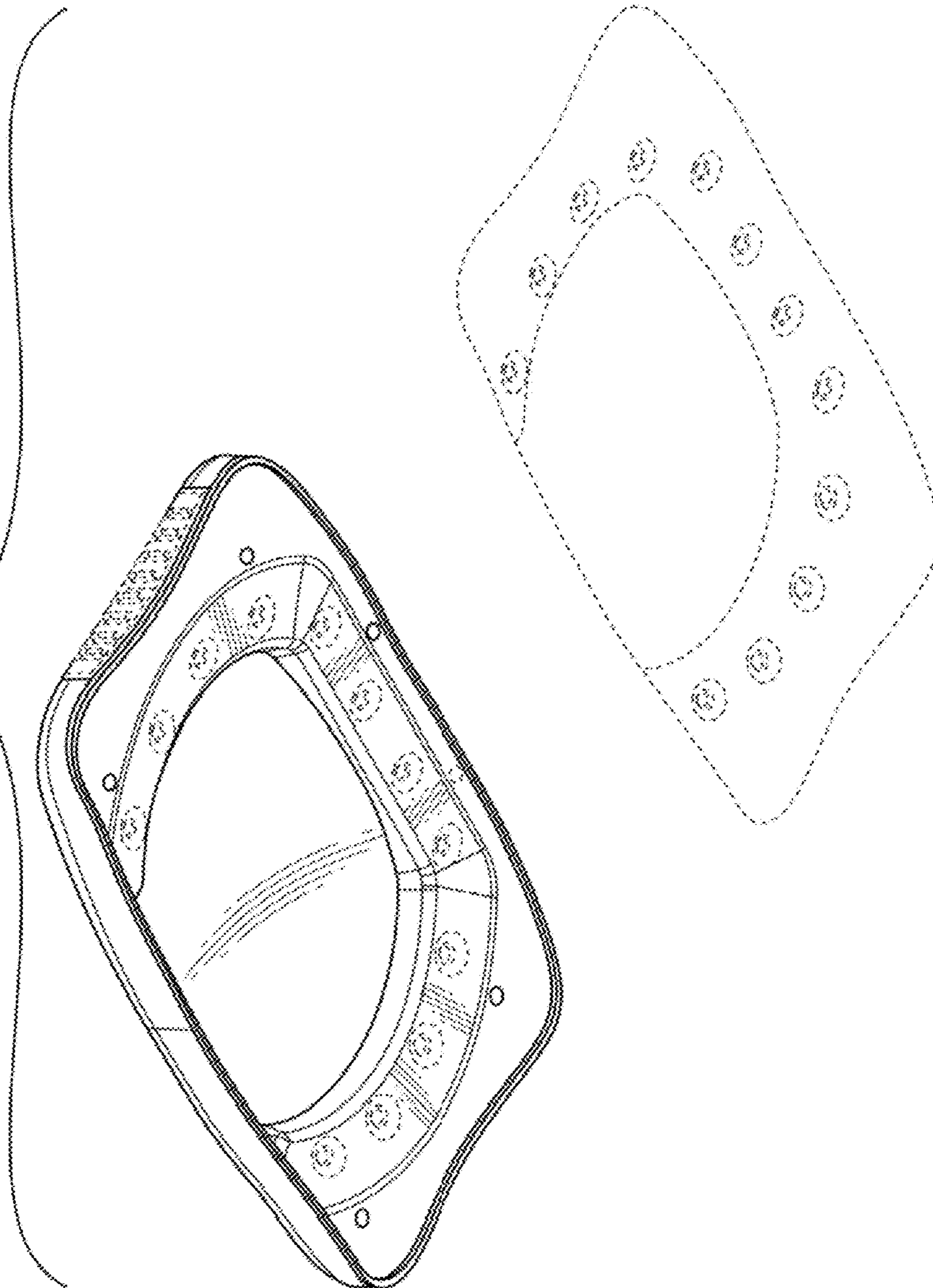


FIG. 2

FIG. 3



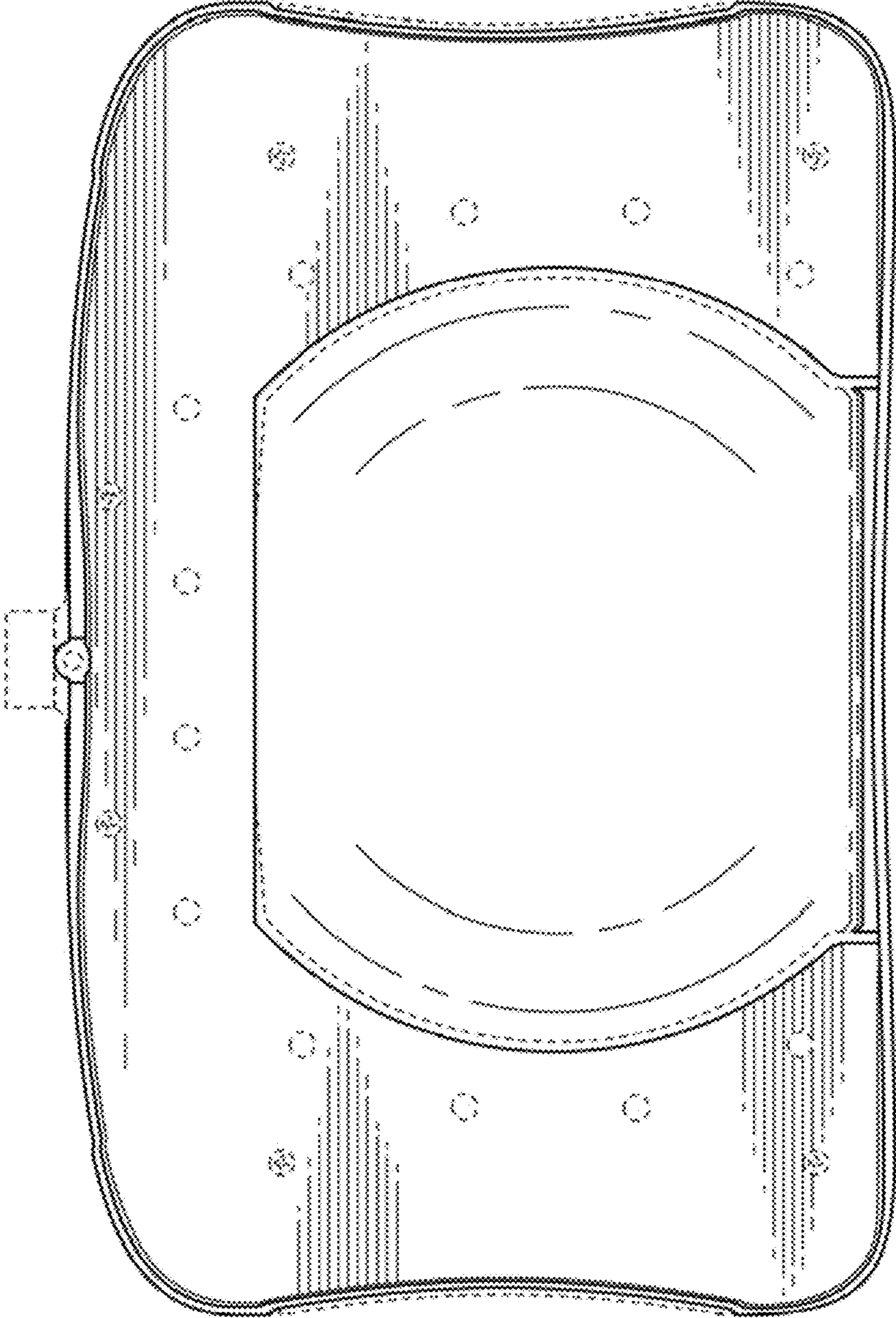


FIG. 4



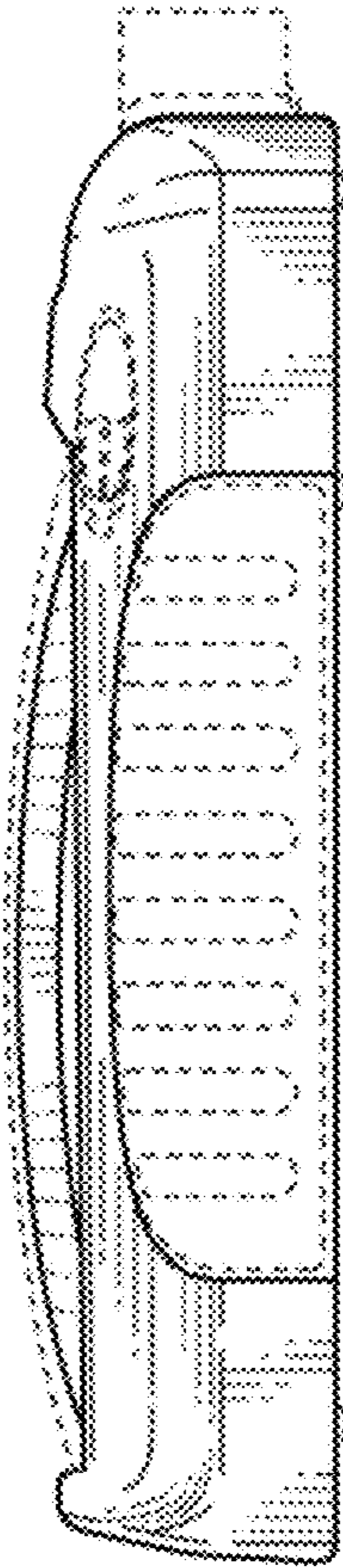


FIG. 5

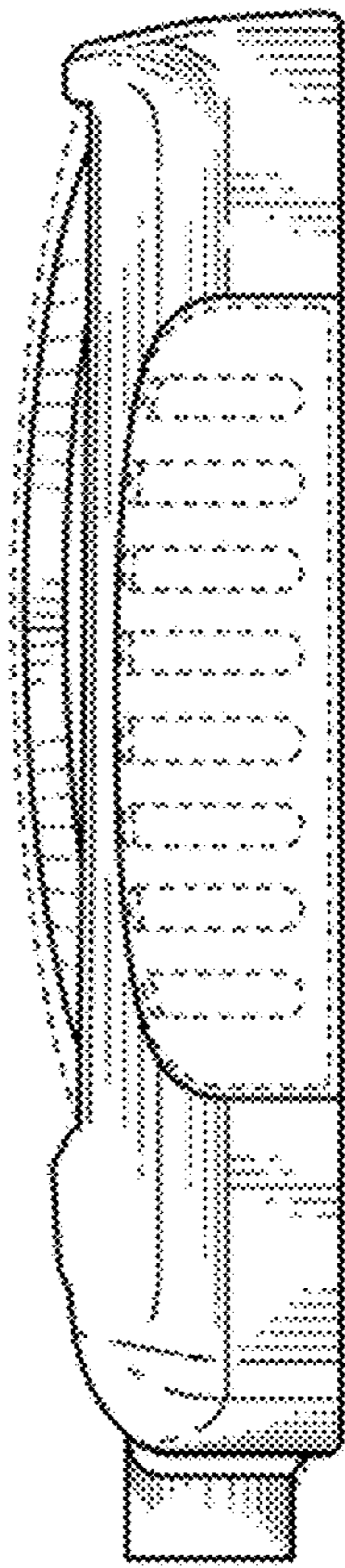


FIG. 6



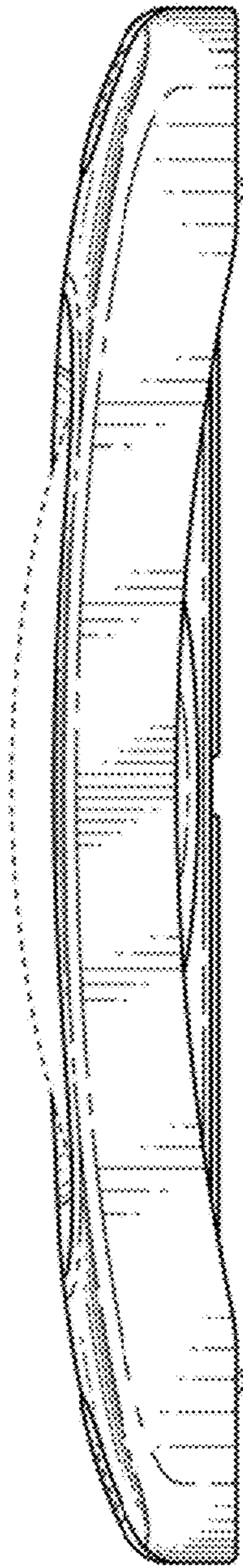


FIG. 7

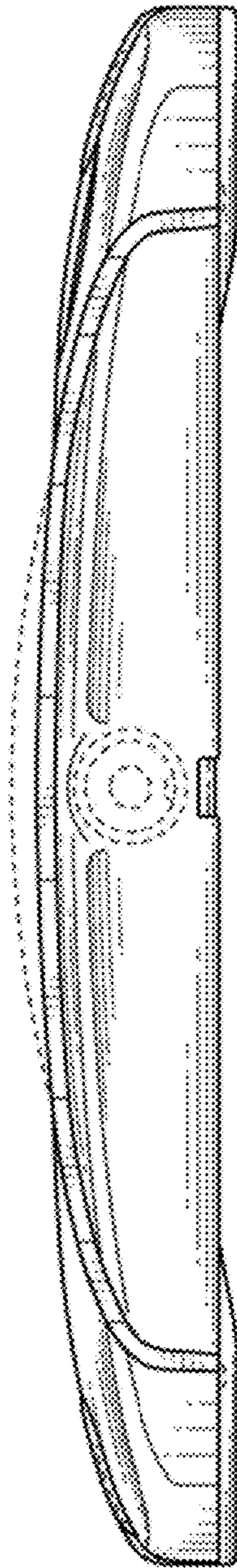


FIG. 8