



US00D723079S

(12) **United States Design Patent**  
**Nauli et al.**

(10) **Patent No.:** **US D723,079 S**  
(45) **Date of Patent:** **\*\* Feb. 24, 2015**

(54) **OPERATING MICROSCOPE**

(71) Applicant: **Carl Zeiss Meditec AG**, Jena (DE)

(72) Inventors: **Fenny Nauli**, Oberkochen (DE);  
**Reinhold Pfeifer**, Donauwoerth (DE);  
**Artur Hoegele**, Oberkochen (DE);  
**Juergen Liegel**, Oberkochen (DE)

(73) Assignee: **Carl Zeiss Meditec AG**, Jena (DE)

(\*\*) Term: **14 Years**

(21) Appl. No.: **29/480,935**

(22) Filed: **Jan. 30, 2014**

(30) **Foreign Application Priority Data**

Aug. 6, 2013 (EM) ..... 001379788-0003

(51) **LOC (10) Cl.** ..... **16-06**

(52) **U.S. Cl.**  
USPC ..... **D16/131**

(58) **Field of Classification Search**  
CPC ..... G02B 27/02  
USPC ..... D16/130, 131, 134, 135, 136, 245, 219;  
359/372, 276, 368, 384, 374, 375, 819,  
359/827, 811, 820, 823; 353/100; 362/465;  
403/322.1

See application file for complete search history.

(56) **References Cited**

**U.S. PATENT DOCUMENTS**

1,625,952	A *	4/1927	Lucas	.....	396/432
D182,097	S *	2/1958	Armbruster	.....	D16/131
D184,487	S *	2/1959	Maier	.....	D16/131
2,878,720	A *	3/1959	Chryssanthou	.....	359/379
2,967,456	A *	1/1961	Maier	.....	396/326
3,398,631	A *	8/1968	McGivern et al.	.....	356/389
3,687,520	A *	8/1972	Nothnagle et al.	.....	359/376
3,734,593	A *	5/1973	Mori	.....	359/376
3,798,665	A *	3/1974	Eloranta et al.	.....	396/432
D242,790	S *	12/1976	Armbruster	.....	D16/131
4,518,230	A *	5/1985	Weber	.....	359/375

4,660,947	A *	4/1987	Amoils	.....	351/212
4,807,989	A *	2/1989	Nagano et al.	.....	351/212
5,497,267	A *	3/1996	Ishikawa et al.	.....	359/390
5,841,576	A *	11/1998	Aikawa	.....	359/383
5,861,983	A *	1/1999	Twisselman	.....	359/384
D460,772	S *	7/2002	Apotheloz	.....	D16/131
6,636,354	B1 *	10/2003	D'Hooge et al.	.....	359/385
D482,708	S *	11/2003	Matuschek	.....	D16/131
D483,789	S *	12/2003	Dordick	.....	D16/245
6,785,045	B2 *	8/2004	Utsugi	.....	359/383
D502,194	S *	2/2005	Suzuki et al.	.....	D16/131
6,937,390	B2 *	8/2005	Akiyama et al.	.....	359/381
6,982,827	B2 *	1/2006	Mora	.....	359/384
D523,046	S *	6/2006	Suzuki et al.	.....	D16/131
7,505,199	B2 *	3/2009	Ito	.....	359/368
D643,866	S *	8/2011	Apotheloz	.....	D16/131
D674,424	S *	1/2013	Apotheloz	.....	D16/131
D705,839	S *	5/2014	Apotheloz	.....	D16/131

\* cited by examiner

*Primary Examiner* — Paula Greene

(74) *Attorney, Agent, or Firm* — Walter Ottesen P.A.

(57) **CLAIM**

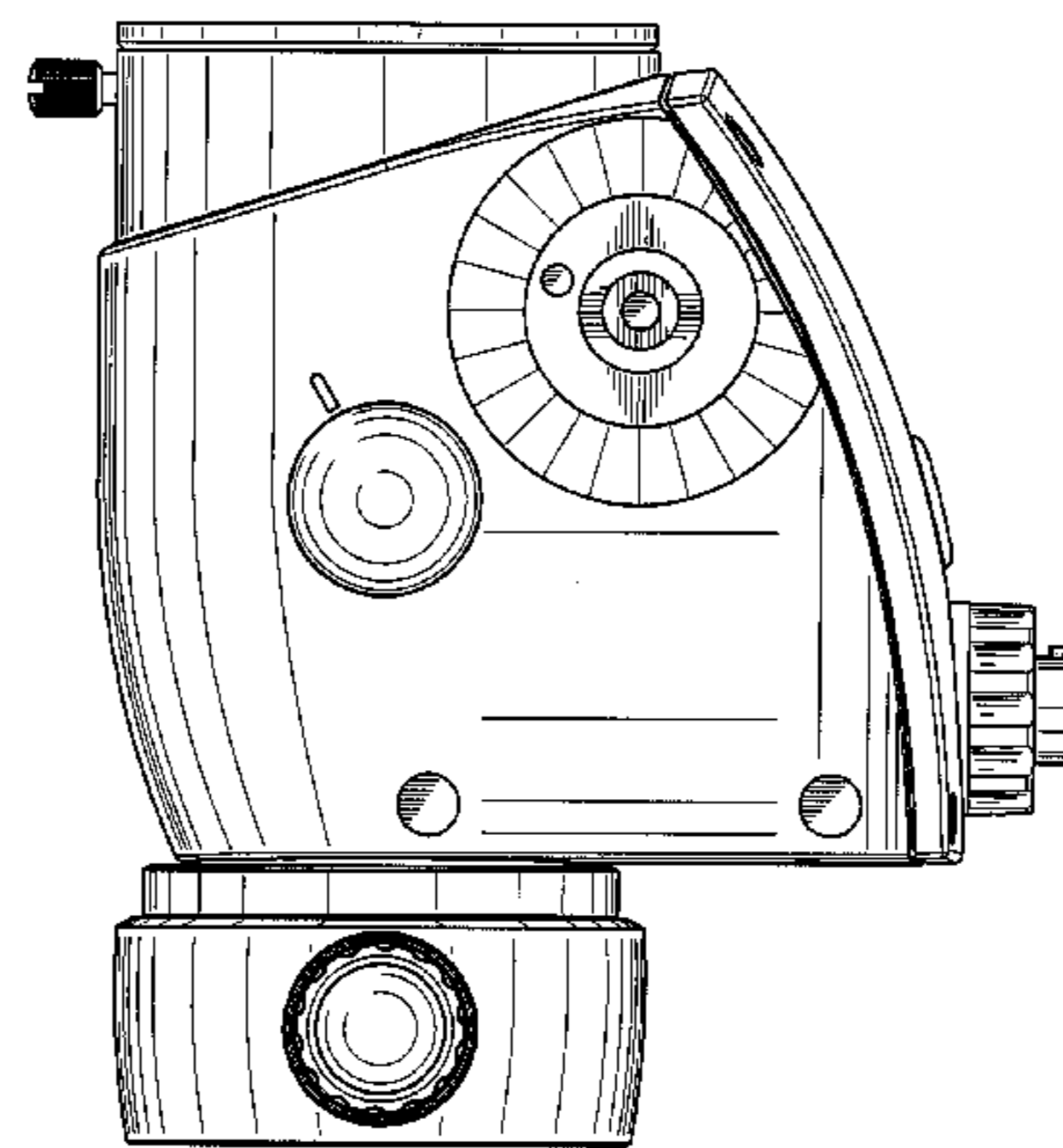
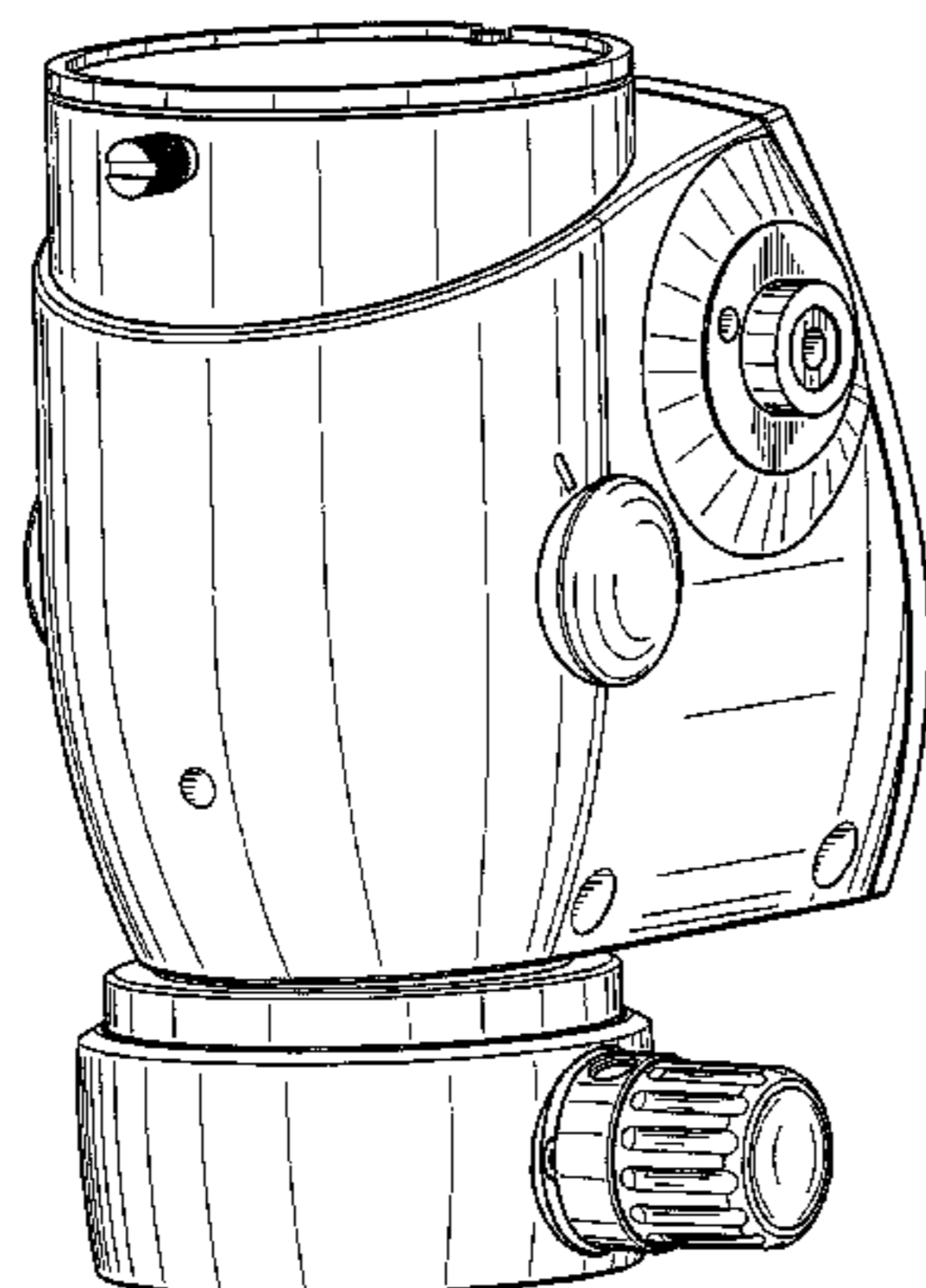
The ornamental design for an operating microscope, as shown and described.

**DESCRIPTION**

FIG. 1 is a perspective view of an operating microscope of our new design;  
 FIG. 2 is a front elevation view of the operating microscope of FIG. 1;  
 FIG. 3 is a left side elevation view of the operating microscope of FIG. 1;  
 FIG. 4 is a rear elevation view of the operating microscope of FIG. 1;  
 FIG. 5 is a right side elevation view of the operating microscope of FIG. 1;  
 FIG. 6 is a top plan view of the operating microscope of FIG. 1; and,  
 FIG. 7 is a bottom plan view of the operating microscope of FIG. 1.

The broken lines shown in FIG. 4 are for illustrative purposes only and form no part of the claimed design.

**1 Claim, 7 Drawing Sheets**



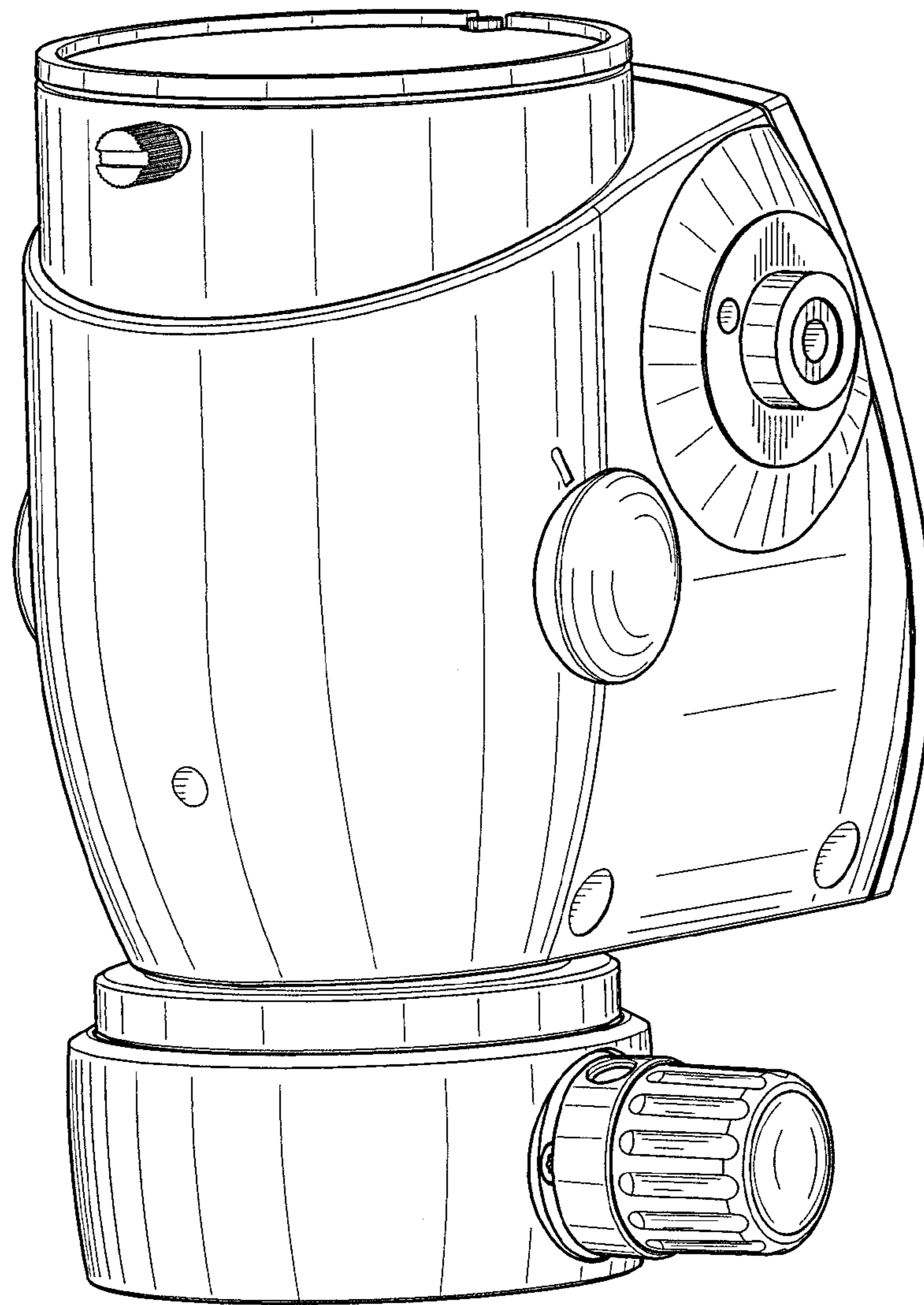


FIG. 1

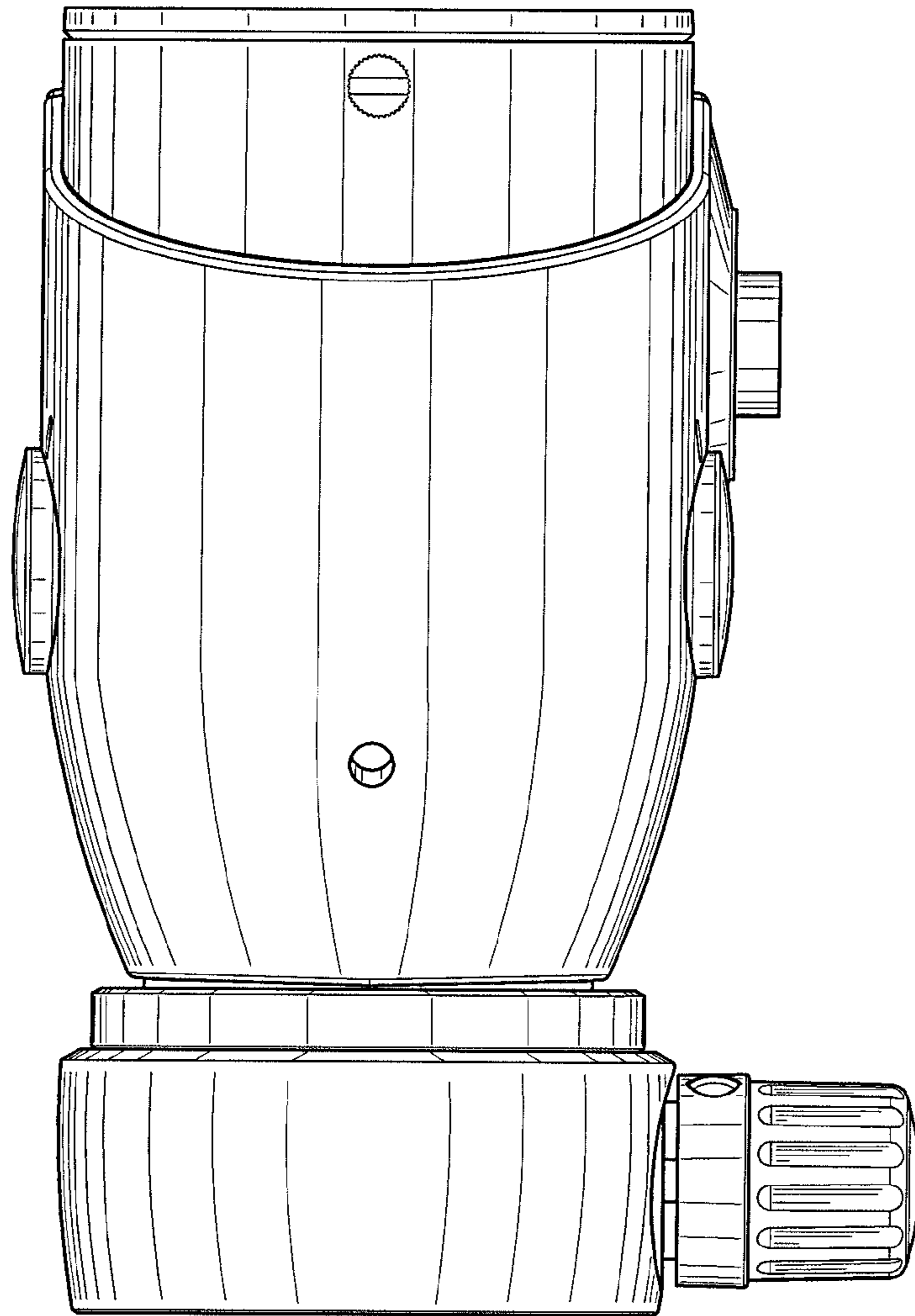


FIG. 2

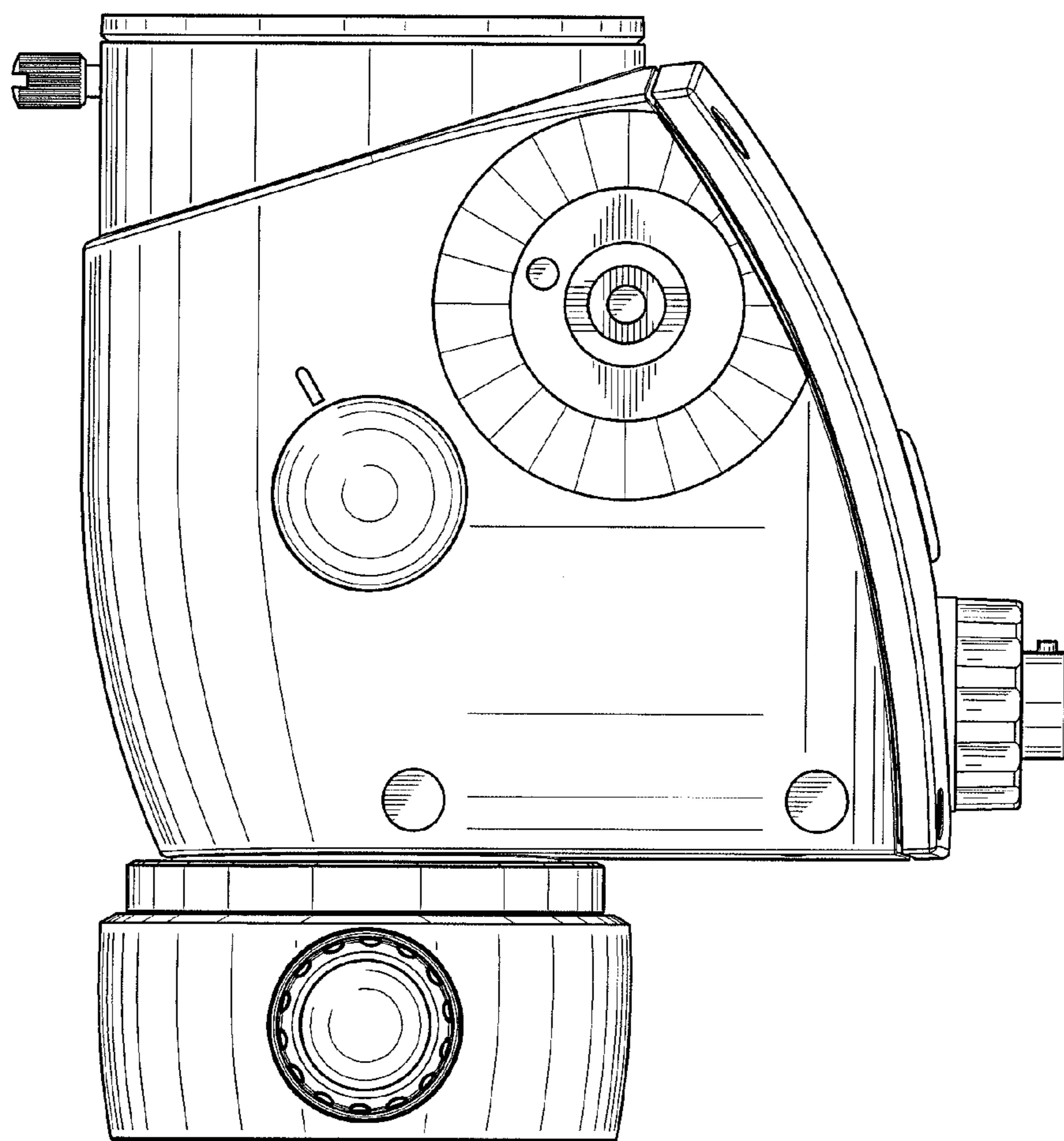


FIG. 3

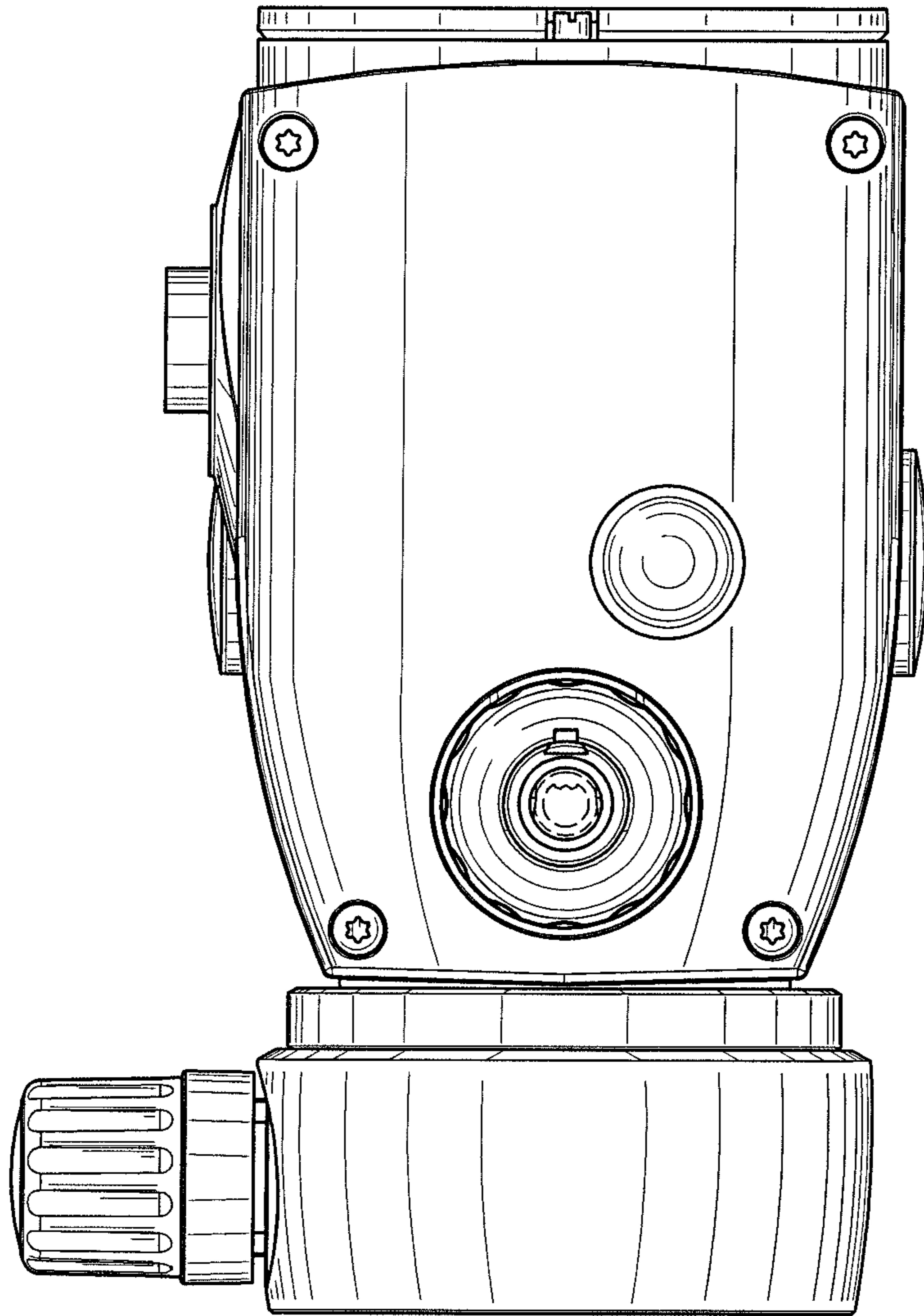


FIG. 4

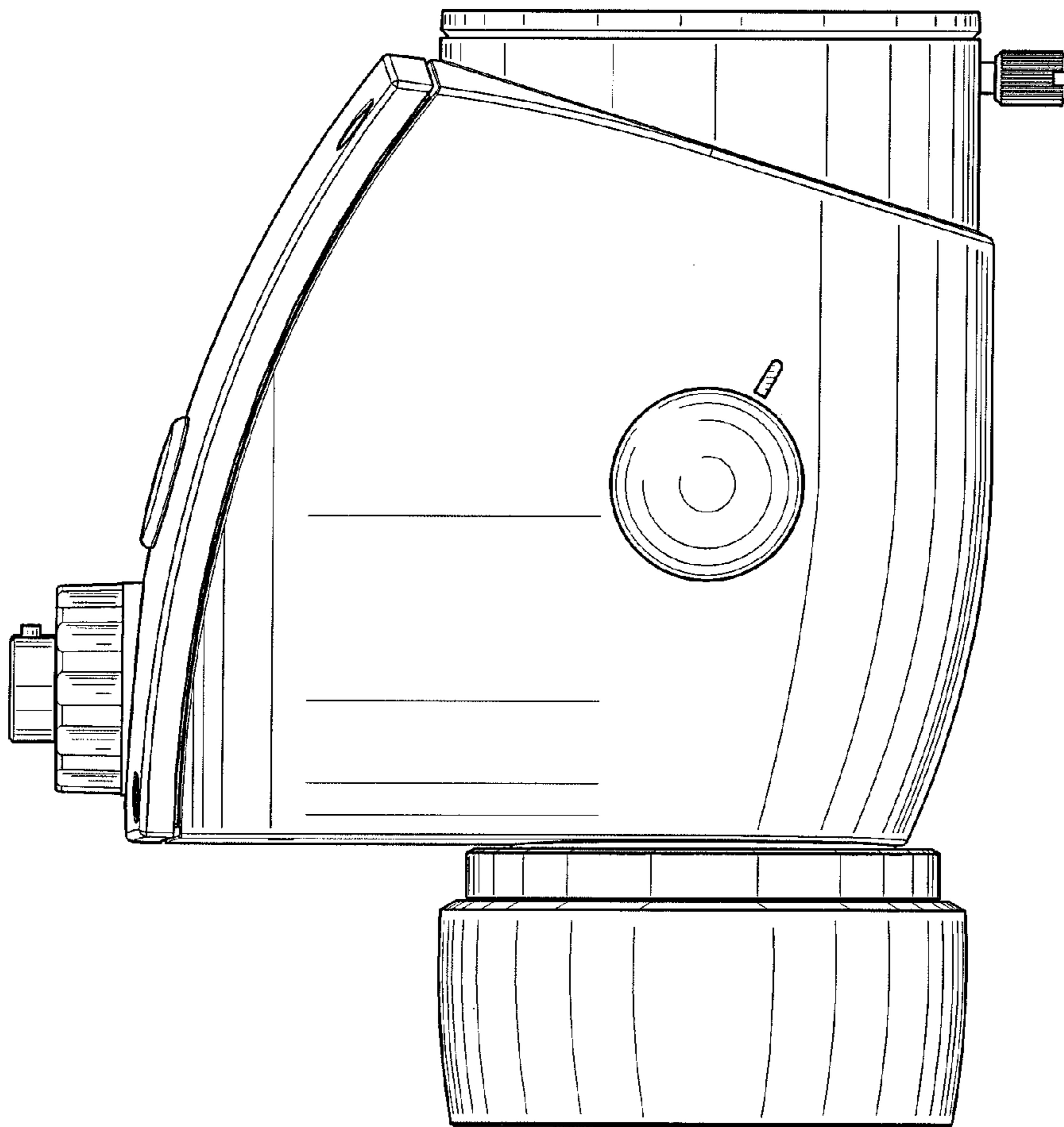


FIG. 5

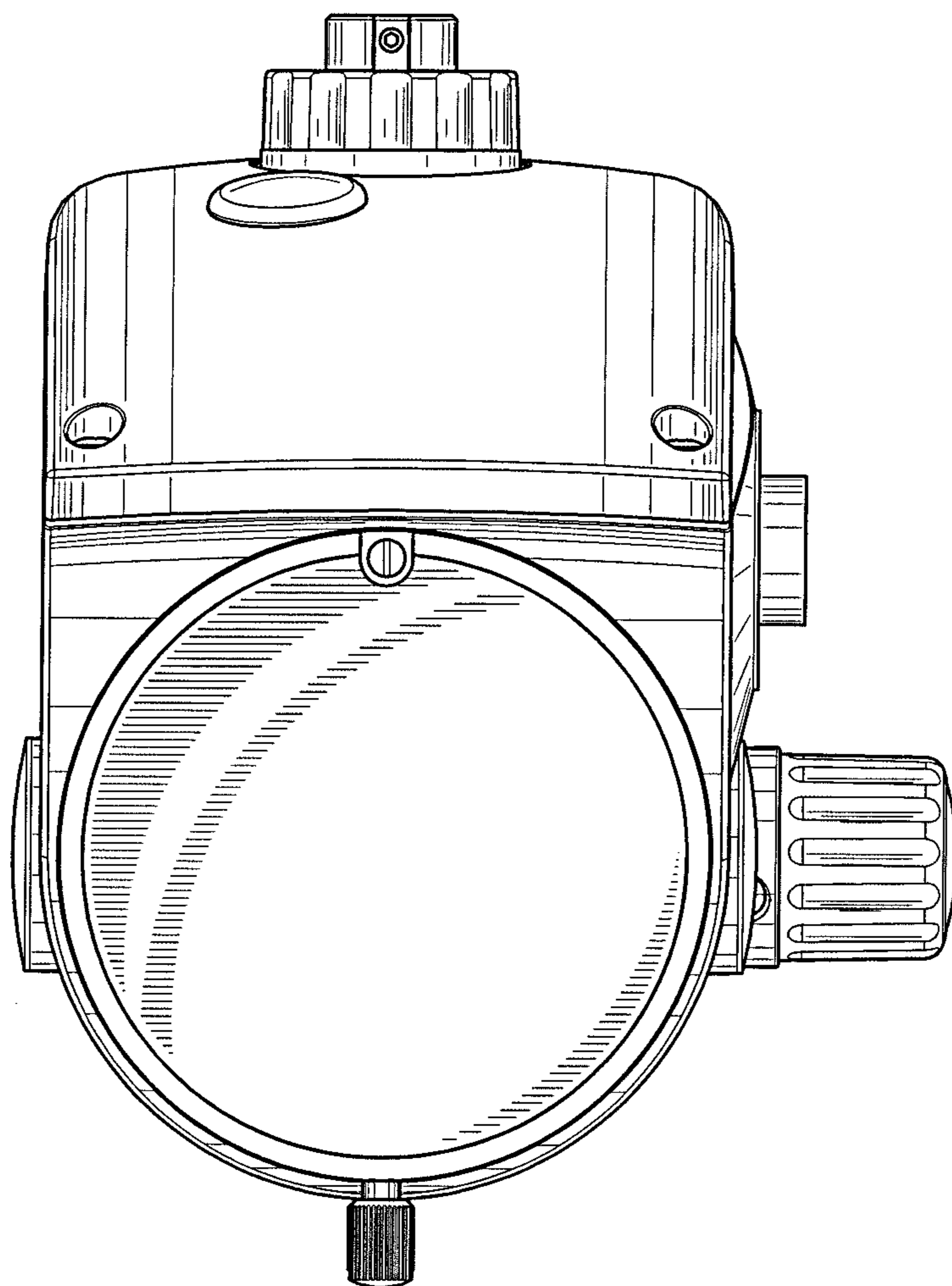


FIG. 6

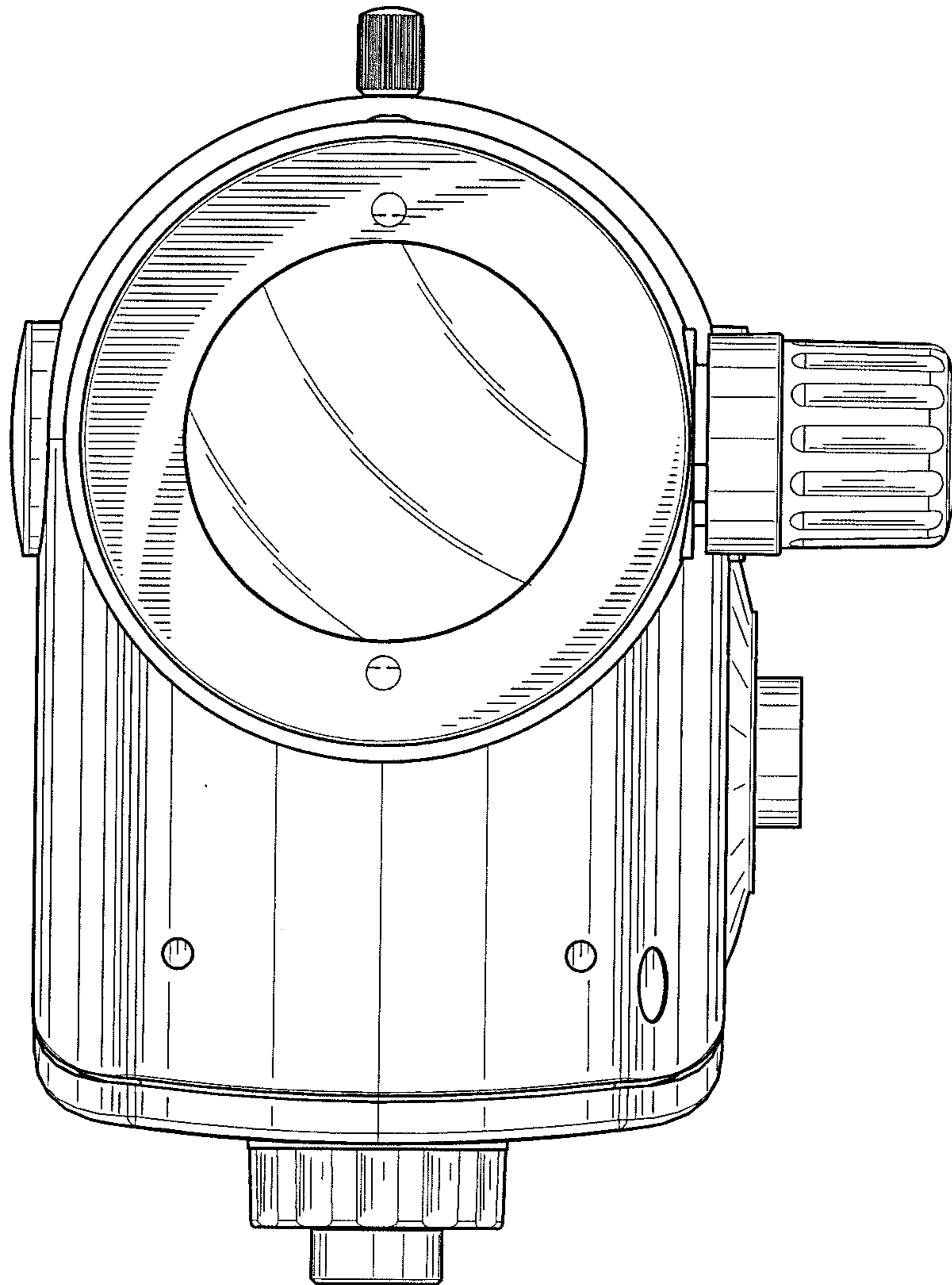


FIG. 7