



US00D723078S

(12) **United States Design Patent**
Nauli et al.

(10) **Patent No.:** **US D723,078 S**
(45) **Date of Patent:** **** Feb. 24, 2015**

(54) **ACCESSORY FOR AN OPERATING MICROSCOPE**

(71) Applicant: **Carl Zeiss Meditec AG**, Jena (DE)

(72) Inventors: **Fenny Nauli**, Oberkochen (DE);
Reinhold Pfeifer, Donauwoerth (DE);
Artur Hoegele, Oberkochen (DE);
Juergen Liegel, Oberkochen (DE)

(73) Assignee: **Carl Zeiss Meditec AG**, Jena (DE)

(**) Term: **14 Years**

(21) Appl. No.: **29/480,927**

(22) Filed: **Jan. 30, 2014**

(30) **Foreign Application Priority Data**

Aug. 6, 2013 (EM) 001379788-0002

(51) **LOC (10) Cl.** **16-06**

(52) **U.S. Cl.**
USPC **D16/131; D16/136**

(58) **Field of Classification Search**
CPC G02B 27/02
USPC D16/130, 131, 134, 135, 136, 245, 219;
359/372, 276, 368, 384, 374, 375, 819,
359/827, 811, 820, 823; 353/100; 362/465;
403/322.1

See application file for complete search history.

(56) **References Cited**

U.S. PATENT DOCUMENTS

1,625,952	A *	4/1927	Lucas	396/432
2,064,963	A *	12/1936	Wheeler	359/636
2,103,230	A *	12/1937	Foster et al.	359/799
2,136,149	A *	11/1938	Nuchterlein	359/827
2,150,916	A *	3/1939	Forgea	359/802
2,244,235	A *	6/1941	Ayres	359/504
2,280,561	A *	4/1942	Wappler	396/17
2,351,736	A *	6/1944	Benford	359/390

D141,692	S *	6/1945	Nemeth	D16/136
D145,993	S *	11/1946	Wager	D16/130
2,428,719	A *	10/1947	Nemeth	359/823
D194,129	S *	11/1962	Bash	D16/134
D195,999	S *	8/1963	Bach	D16/220
D198,141	S *	5/1964	Armbruster	D16/131
D198,142	S *	5/1964	Armbruster	D16/131
3,166,626	A *	1/1965	Vargady	353/40
3,490,347	A *	1/1970	Seedhouse	359/363
3,552,865	A *	1/1971	Leung et al.	356/246
3,591,461	A *	7/1971	Bazil et al.	435/305.4
3,790,249	A *	2/1974	Treace	359/388
3,900,021	A *	8/1975	Makepeace et al.	600/112

(Continued)

Primary Examiner — Paula Greene

(74) *Attorney, Agent, or Firm* — Walter Ottesen P.A.

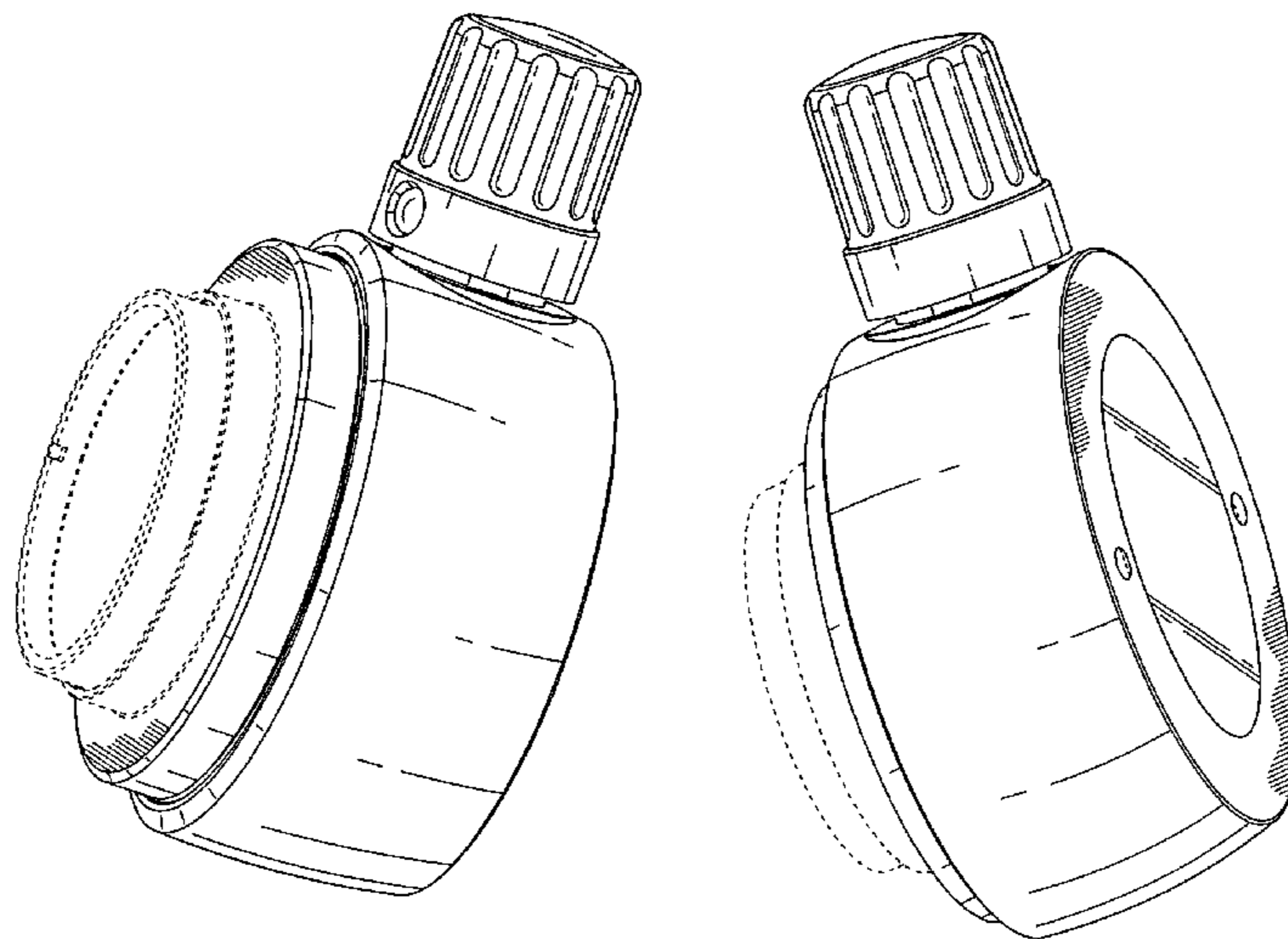
(57) **CLAIM**

The ornamental design for an accessory for an operating microscope, as shown and described.

DESCRIPTION

FIG. 1 is a front perspective view of an accessory for an operating microscope of our new design;
 FIG. 2 is a rear perspective view of the accessory for an operating microscope of FIG. 1;
 FIG. 3 is a front elevation view of the accessory for an operating microscope of FIG. 1;
 FIG. 4 is a rear elevation view of the accessory for an operating microscope of FIG. 1;
 FIG. 5 is a top plan view of the accessory for an operating microscope of FIG. 1;
 FIG. 6 is a bottom plan view of the accessory for an operating microscope of FIG. 1;
 FIG. 7 is a right side elevation view of the accessory for an operating microscope of FIG. 1; and,
 FIG. 8 is a left side elevation view of the accessory for an operating microscope of FIG. 1.
 The broken lines shown in FIGS. 1 to 8 are for illustrative purposes only and form no part of the claimed design.

1 Claim, 4 Drawing Sheets



(56)

References Cited

U.S. PATENT DOCUMENTS

D241,042 S *	8/1976	Kupiec	D10/46	D295,871 S *	5/1988	Charles	D16/130
D245,912 S *	9/1977	Masuyama et al.	D16/131	D306,175 S *	2/1990	Steel et al.	D16/135
4,066,330 A *	1/1978	Jones	359/503	5,050,963 A *	9/1991	Murakami	359/808
D248,160 S *	6/1978	Feinbloom et al.	D16/237	5,053,794 A *	10/1991	Benz	396/432
4,264,167 A *	4/1981	Plummer	396/17	5,264,928 A *	11/1993	Howes	348/79
D271,209 S *	11/1983	Feinbloom	D16/237	D387,787 S *	12/1997	Palmer	D16/130
D271,698 S *	12/1983	Shishido	D16/237	5,831,777 A *	11/1998	Iwasa	359/826
D276,623 S *	12/1984	Feinbloom	D16/130	6,011,661 A *	1/2000	Weng	359/819
4,527,870 A *	7/1985	Esmay	359/388	D483,789 S *	12/2003	Dordick	D16/245
D289,410 S *	4/1987	Feinbloom et al.	D16/131	D632,789 S *	2/2011	Mueller et al.	D24/150
				7,894,130 B2 *	2/2011	Knuenz et al.	359/384
				D651,226 S *	12/2011	Nagakubo et al.	D16/130
				D699,275 S *	2/2014	Samuels et al.	D16/136

* cited by examiner

FIG. 1

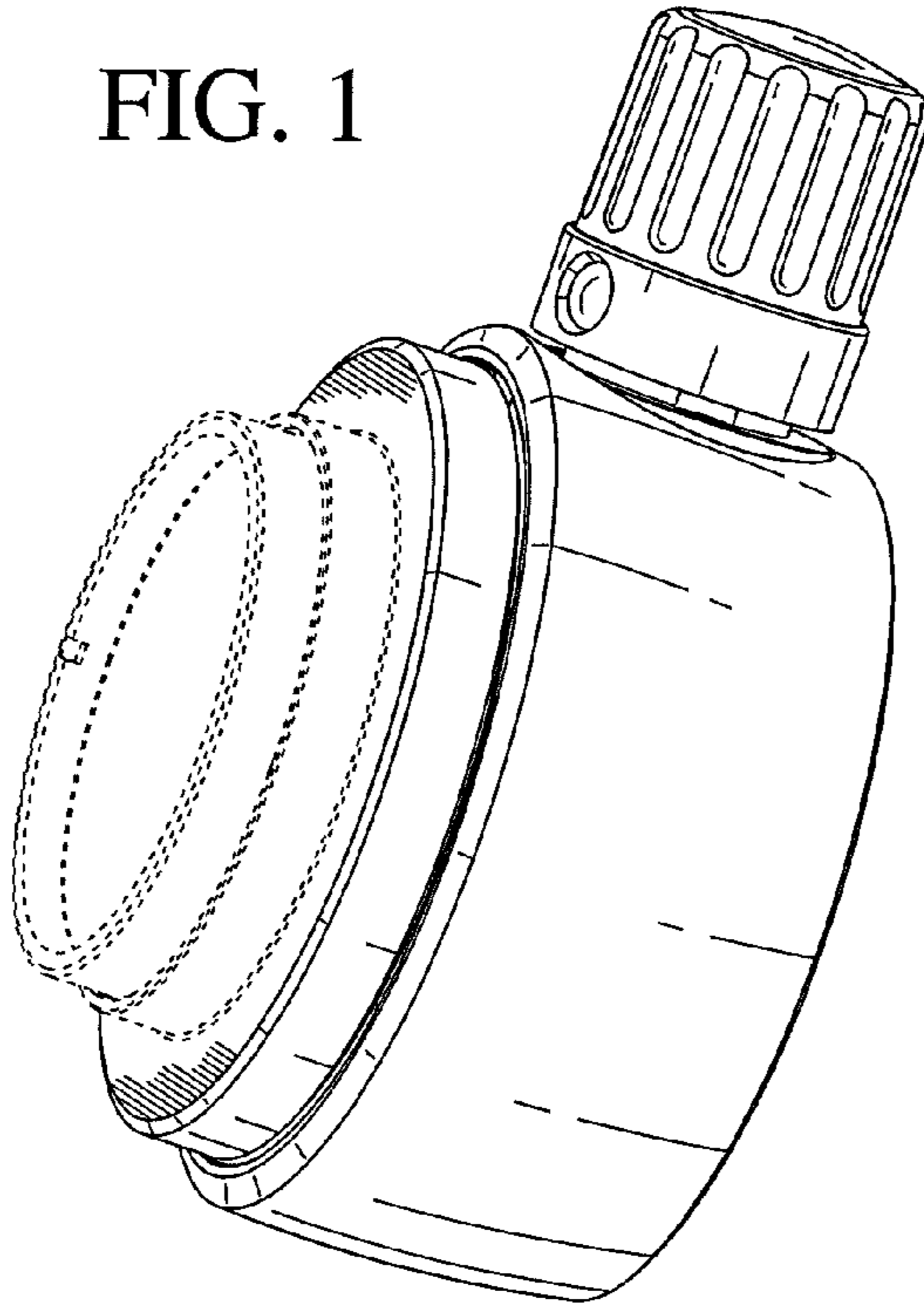
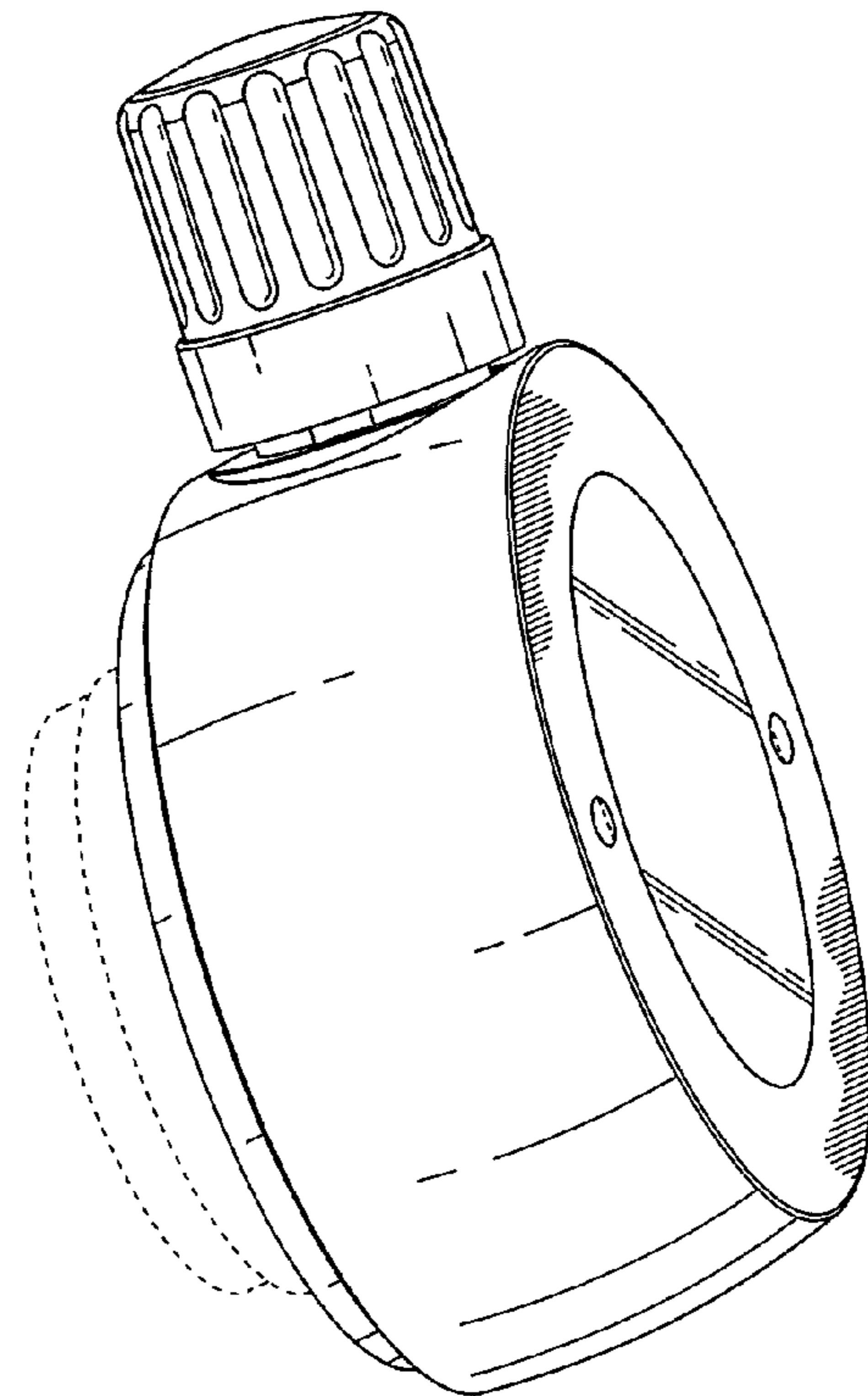


FIG. 2



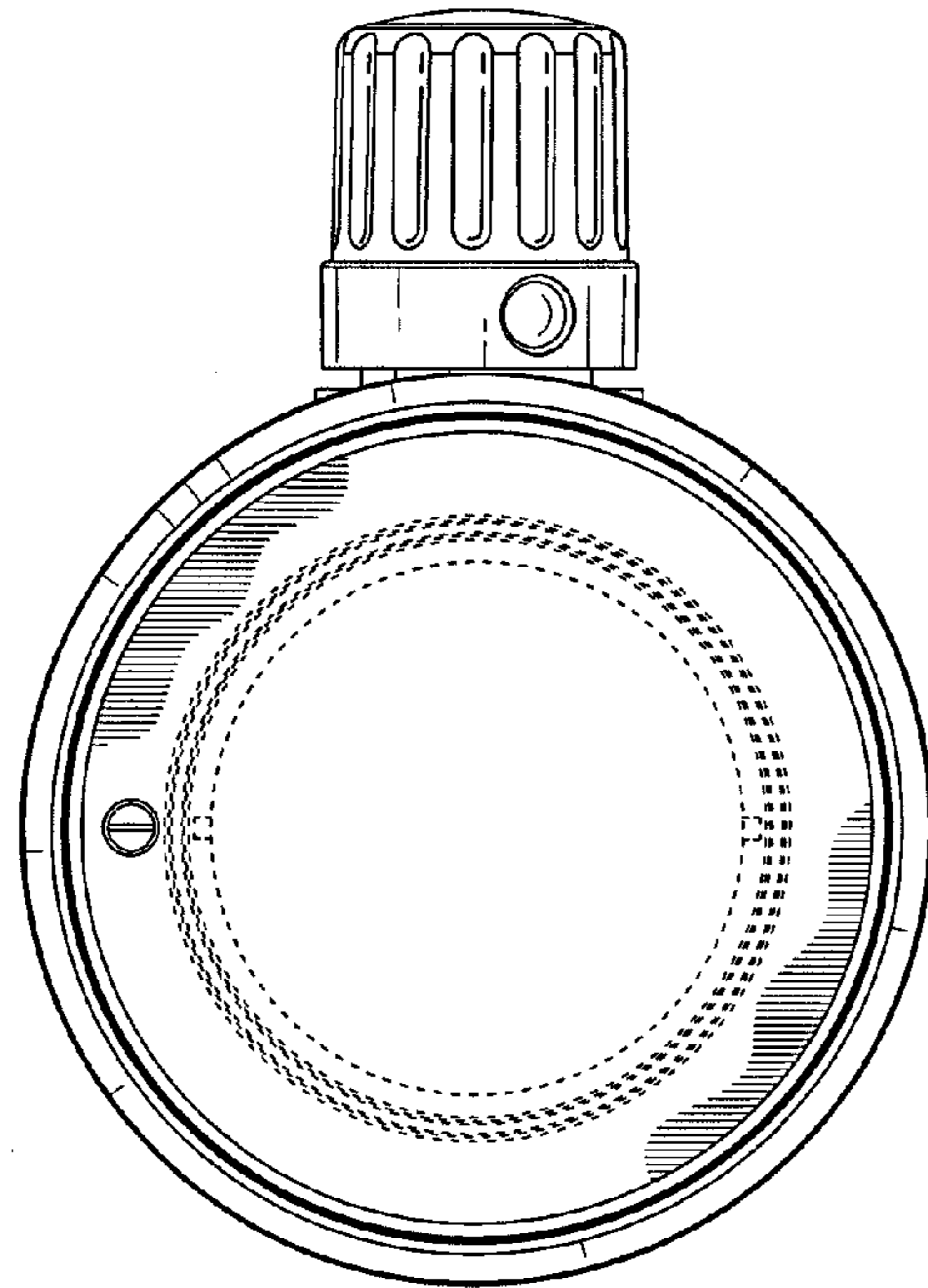


FIG. 3

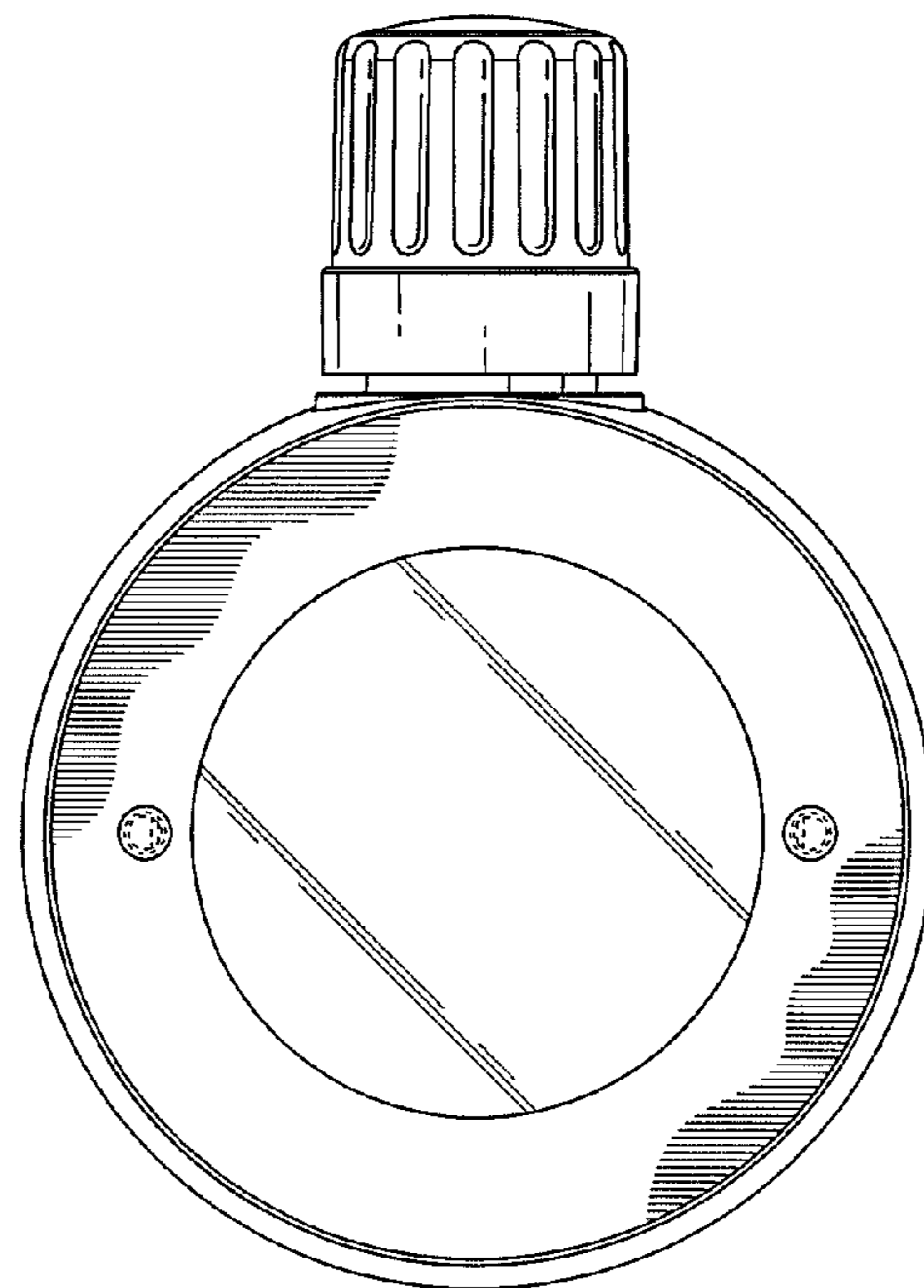


FIG. 4

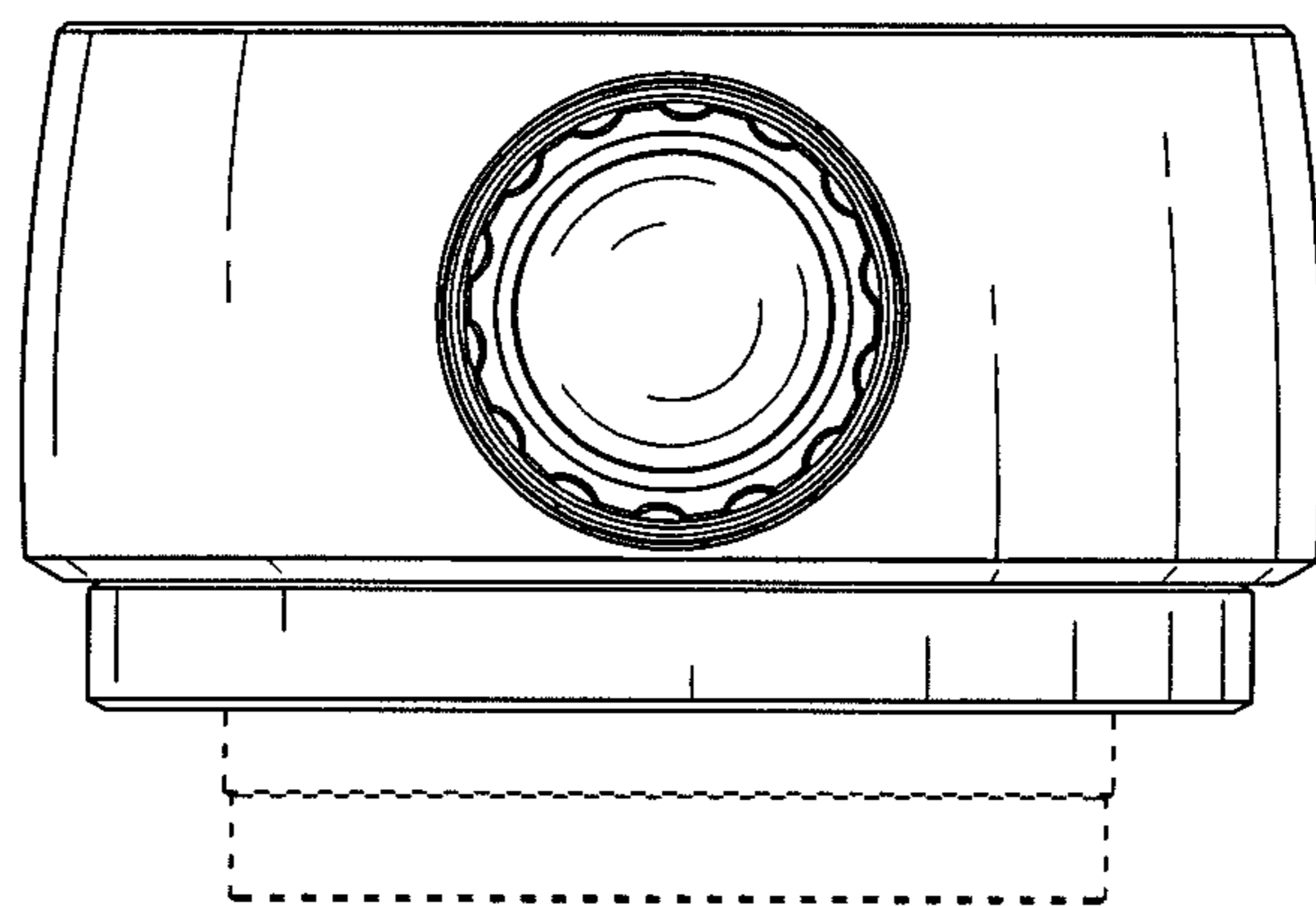


FIG. 5

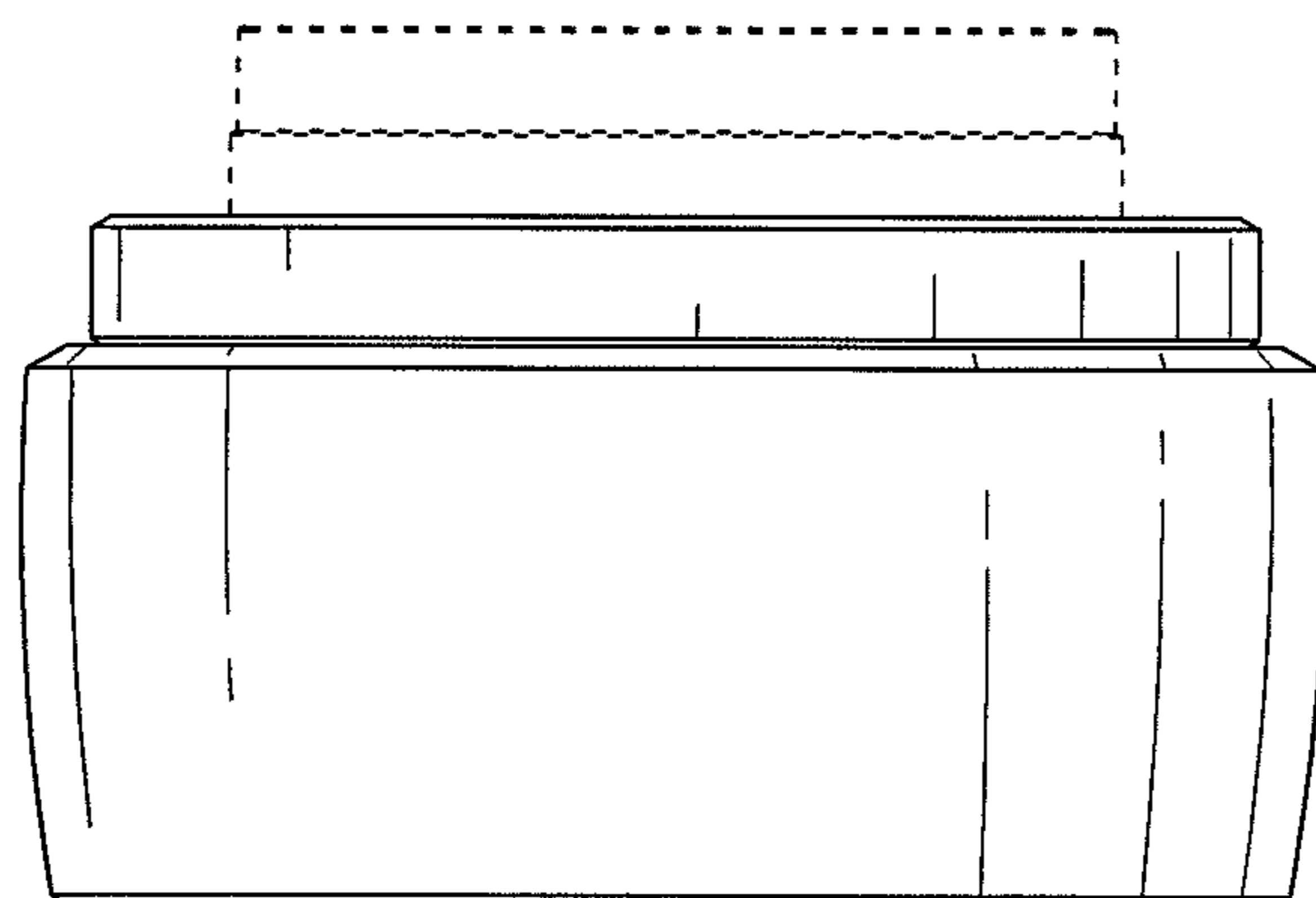


FIG. 6

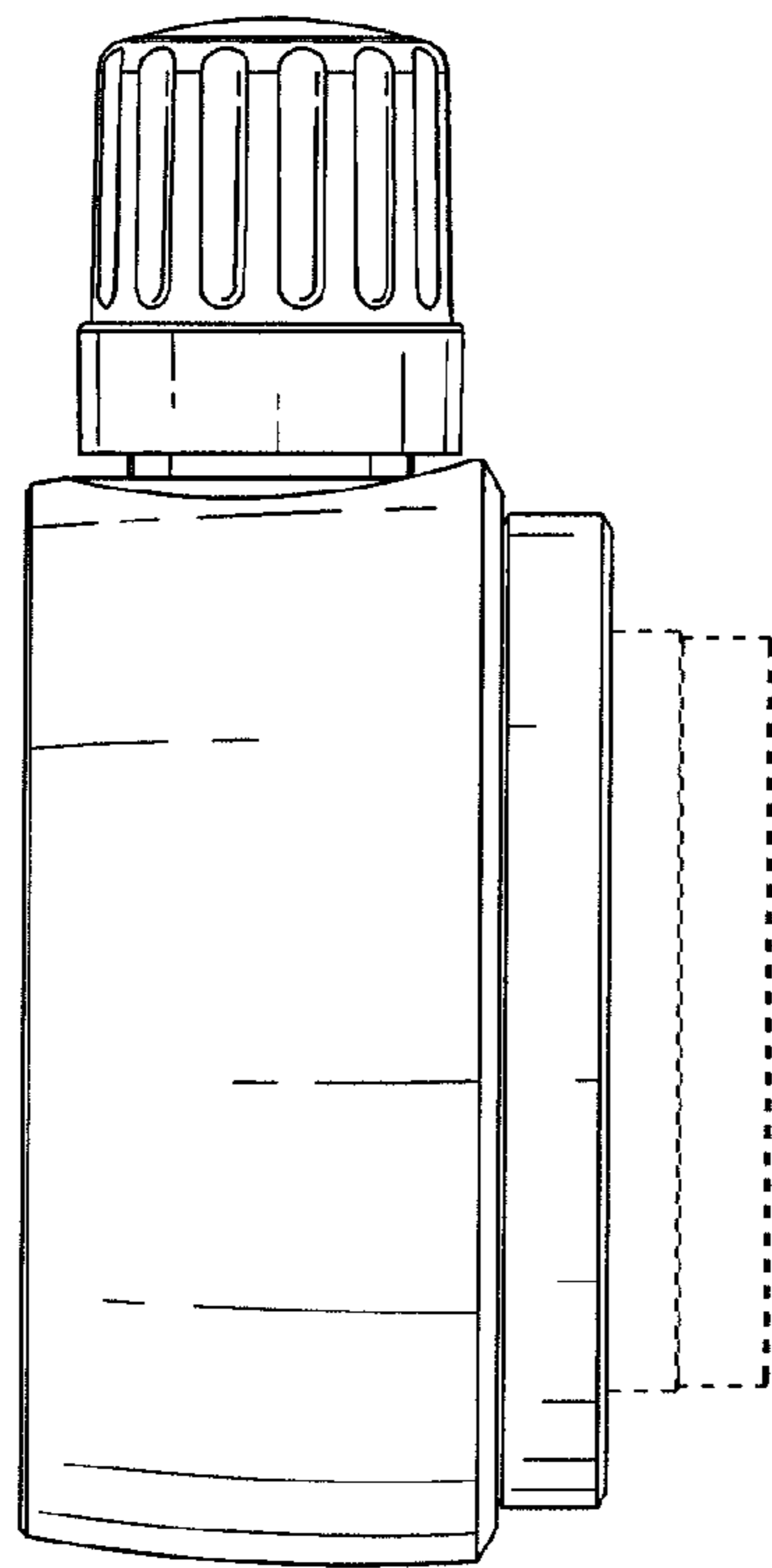


FIG. 7

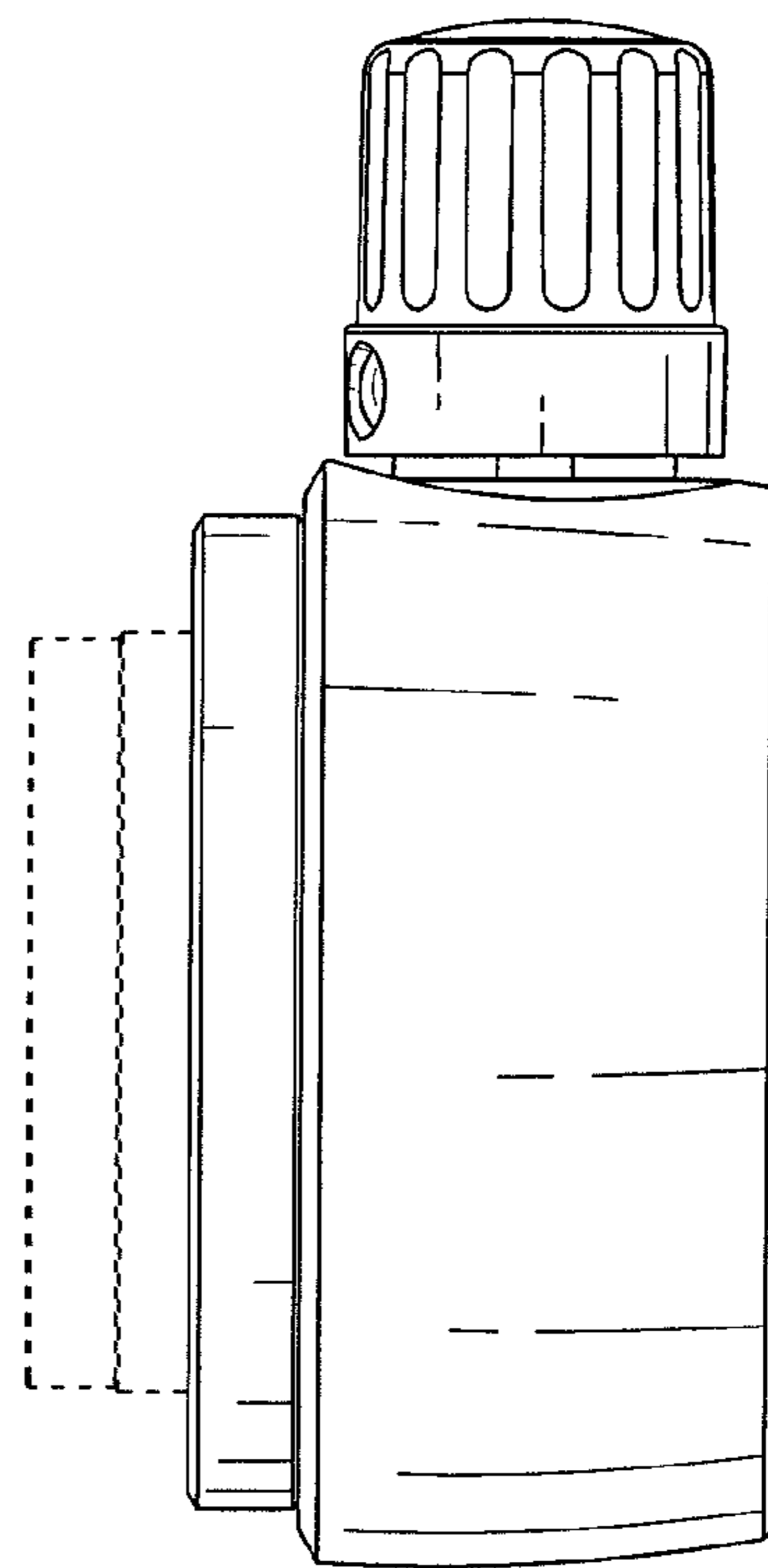


FIG. 8