



US00D723076S

(12) **United States Design Patent**
Lampe et al.

(10) **Patent No.:** **US D723,076 S**
(45) **Date of Patent:** **** Feb. 24, 2015**

(54) **MASONRY DRILL BIT**
(75) Inventors: **Rainer Lampe**, Dinklage (DE);
Heinrich Kersten, Verden (DE)
(73) Assignee: **Heller Tools GmbH**, Dinklage (DE)

2008/0014048	A1 *	1/2008	Nadler	411/387.8
2010/0135741	A1 *	6/2010	Probst et al.	408/230
2011/0168453	A1 *	7/2011	Kersten et al.	175/415
2011/0290079	A1 *	12/2011	Schuetz et al.	76/108.1
2012/0241223	A1 *	9/2012	Bise et al.	175/428
2013/0319774	A1 *	12/2013	Hammer et al.	175/394

* cited by examiner

(**) Term: **14 Years**

Primary Examiner — Patricia Palasik

(21) Appl. No.: **29/427,978**

(74) *Attorney, Agent, or Firm* — Lowe Hauptman & Ham LLP

(22) Filed: **Jul. 24, 2012**

(57) **CLAIM**

(30) **Foreign Application Priority Data**

The ornamental design for a masonry drill bit, as shown and described.

Jan. 25, 2012 (EP) 001980681-0003

DESCRIPTION

(51) **LOC (10) Cl.** **15-09**

(52) **U.S. Cl.**
USPC **D15/139**

(58) **Field of Classification Search**
USPC D8/70; D15/21-29, 138, 139, 140
See application file for complete search history.

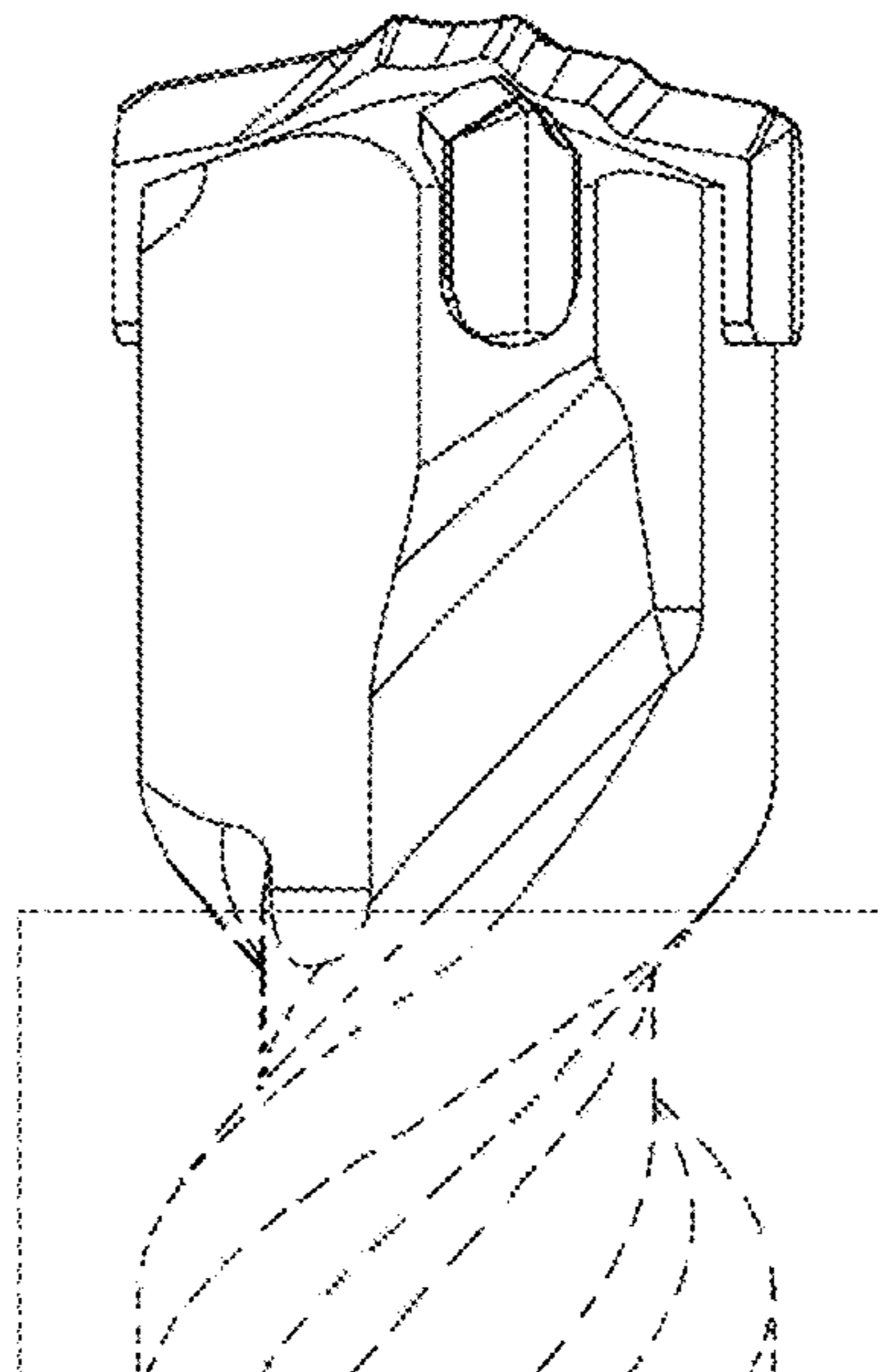
FIG. 1 is a front view of a complete masonry drill bit with a main cutting insert and with an auxiliary cutting insert bearing the design;
FIG. 2 is a back view of the masonry drill bit of FIG. 1;
FIG. 3 is a left view of the masonry drill bit of FIG. 1;
FIG. 4 is a right view of the masonry drill bit of FIG. 1;
FIG. 5 is a top view of the masonry drill bit of FIG. 1;
FIG. 6 is a bottom view of the masonry drill bit of FIG. 1;
FIG. 7 is a first enlarged detail perspective view of the masonry drill bit of FIG. 1;
FIG. 8 is a second enlarged detail perspective view of the masonry drill bit of FIG. 1; and,
FIG. 9 is a third enlarged detail perspective view of the masonry drill bit of FIG. 1.
The portions included in the broken line boxes/cubes in the drawings depicted in broken line format form no part of the claimed design.

(56) **References Cited**

U.S. PATENT DOCUMENTS

5,492,187	A *	2/1996	Neukirchen et al.	175/394
6,032,749	A *	3/2000	Bongers-Ambrosius et al.	175/394
7,384,223	B2 *	6/2008	Nadler	408/224
D629,027	S *	12/2010	Kersten et al.	D15/139
D664,167	S *	7/2012	Lampe	D15/139
D678,369	S *	3/2013	Santamarina	D15/139
D682,326	S *	5/2013	Monyak et al.	D15/139
D688,716	S *	8/2013	Lampe	D15/139
2003/0138305	A1 *	7/2003	Pedersen	408/230
2005/0126829	A1 *	6/2005	Meierhofer et al.	175/395

1 Claim, 9 Drawing Sheets



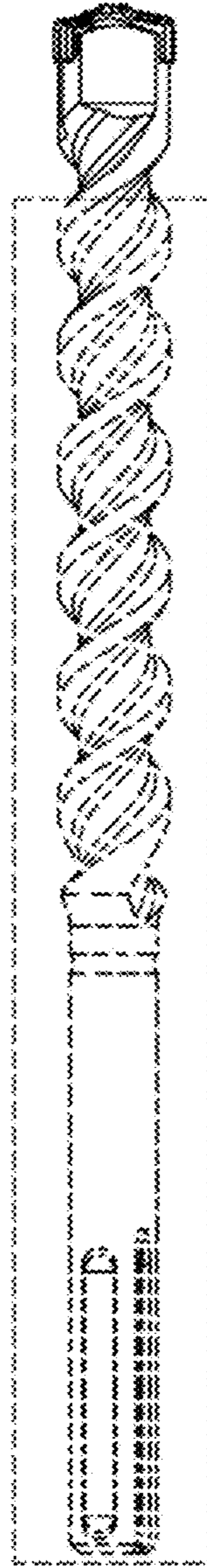


FIG. 1

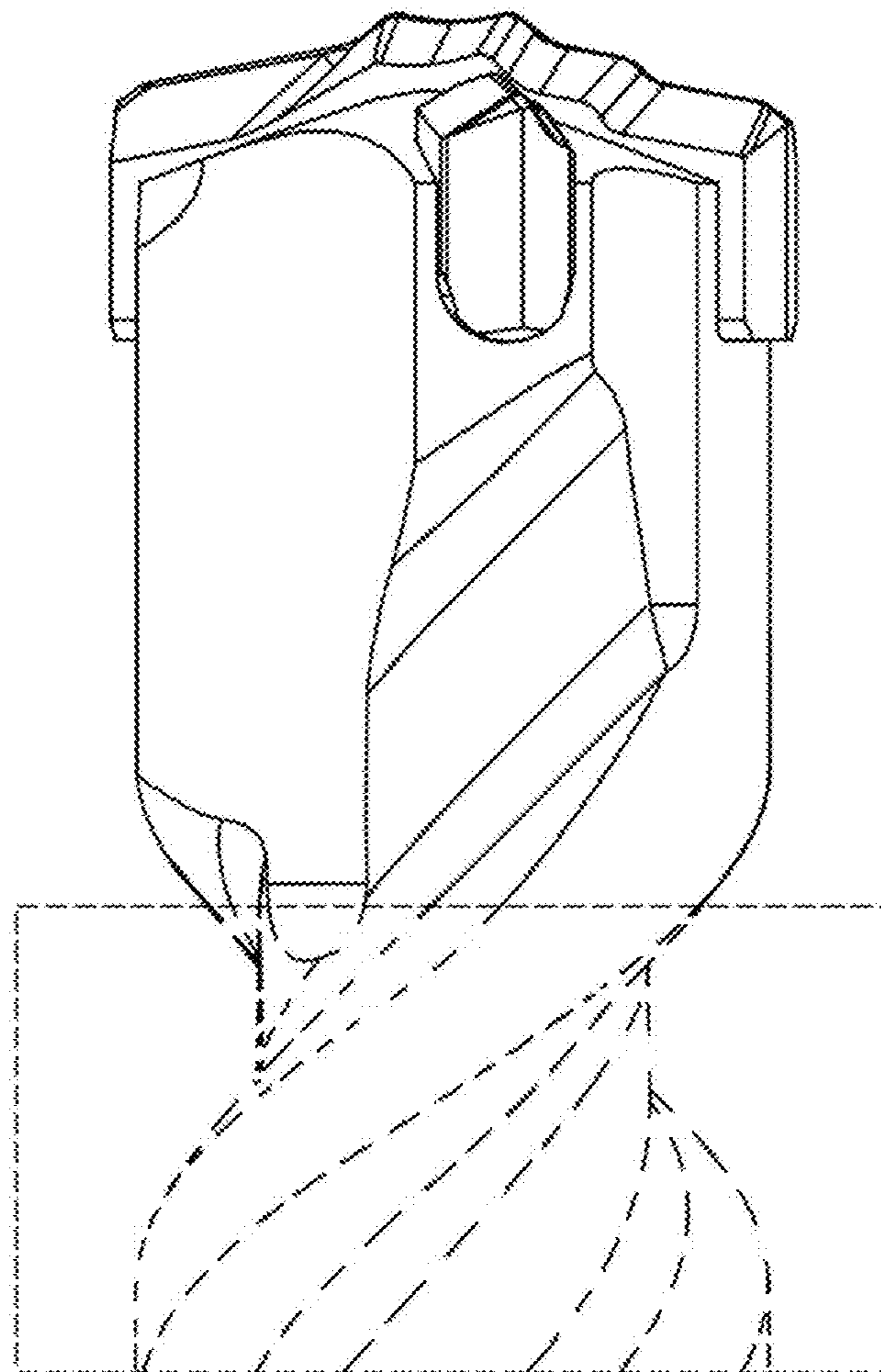


FIG. 2

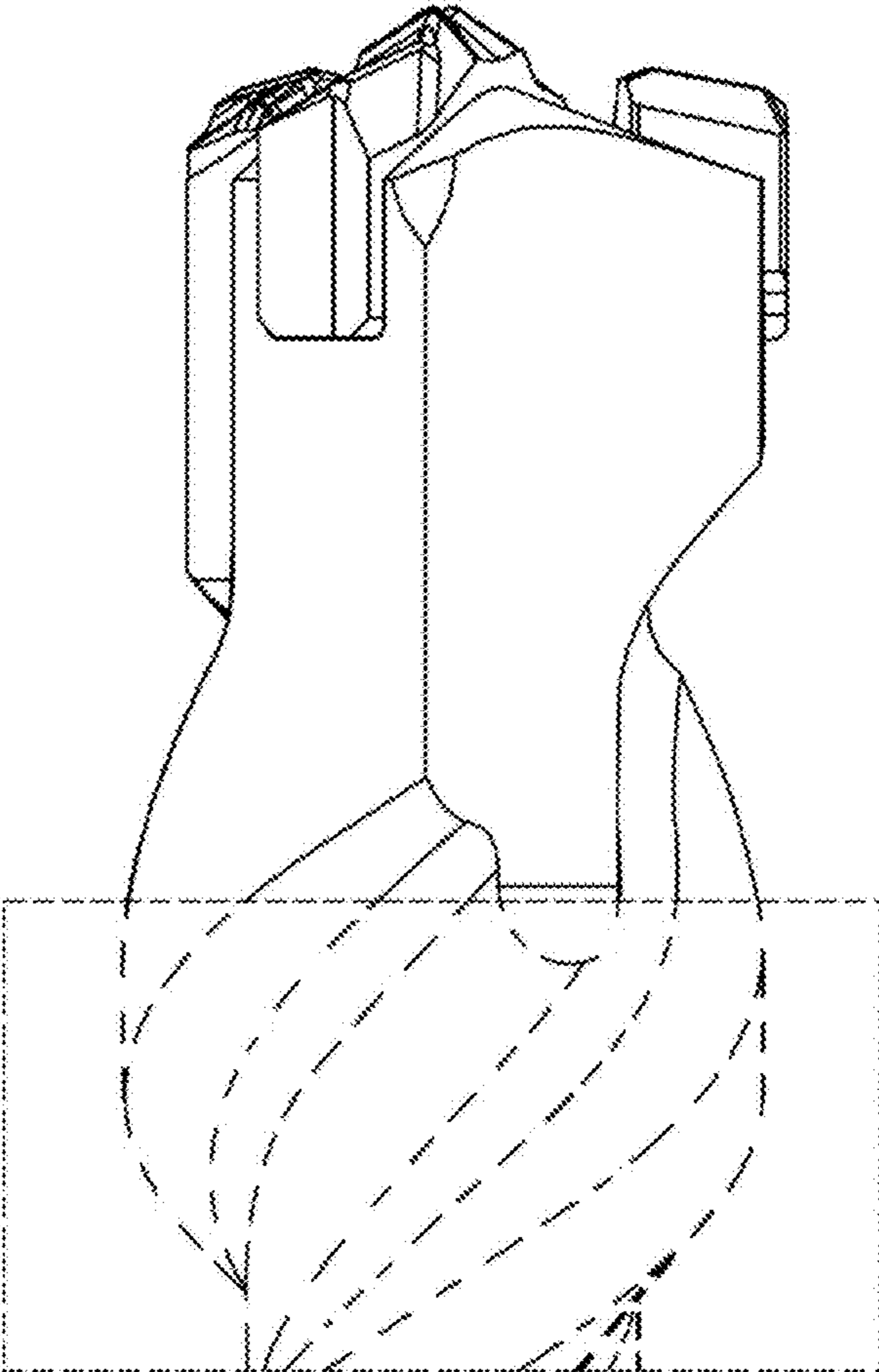


FIG. 3

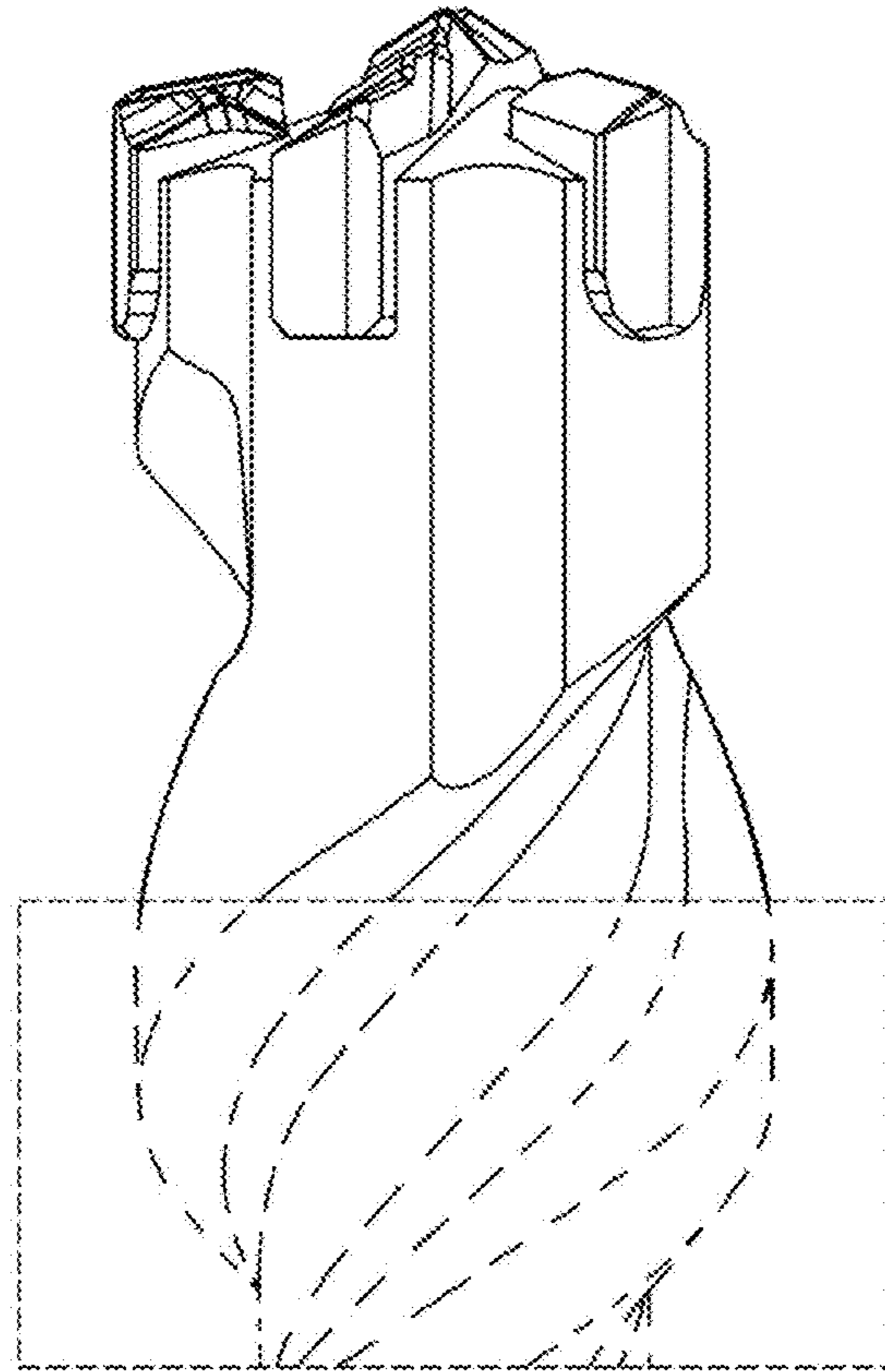


FIG. 4

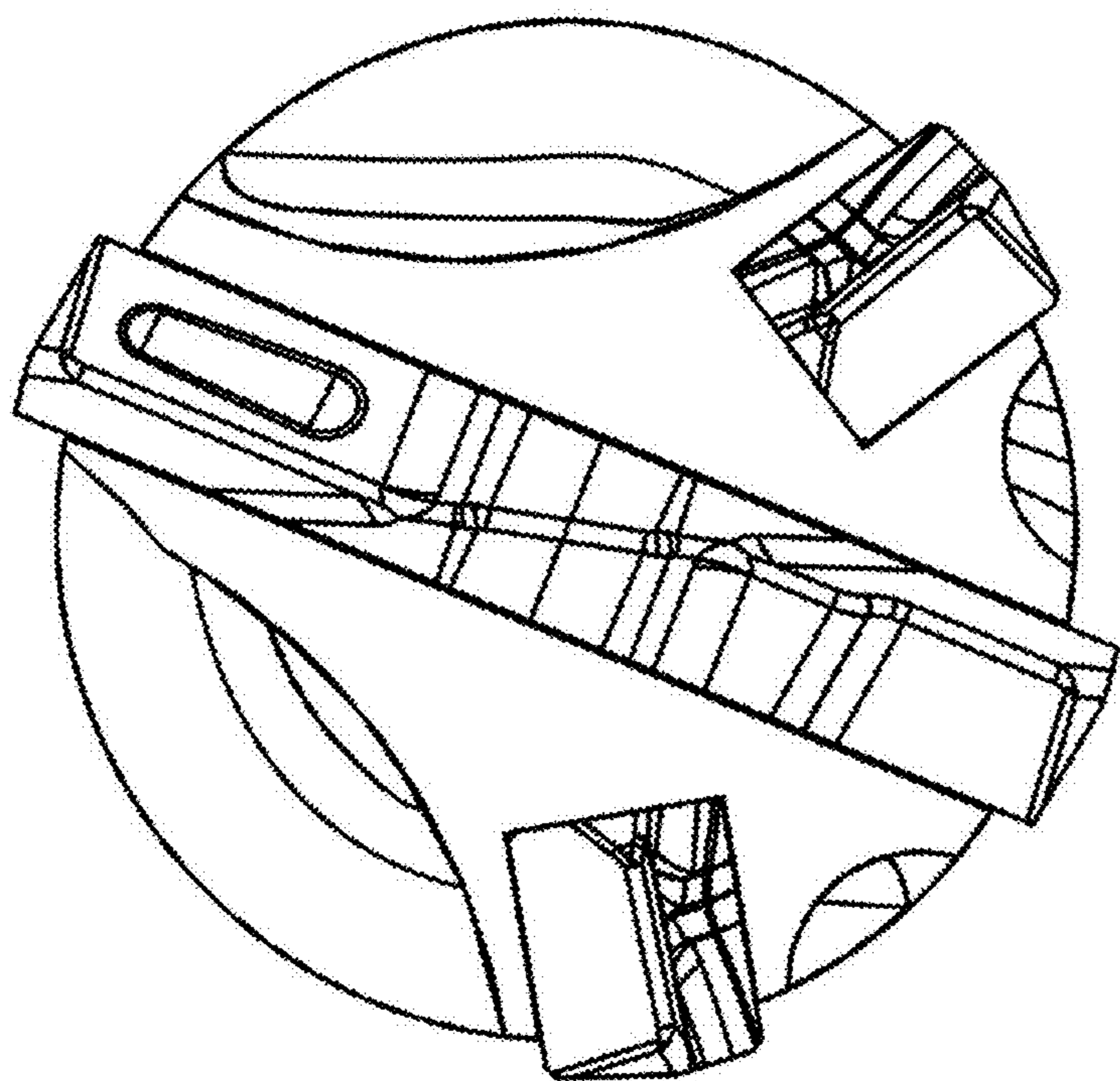


FIG. 5

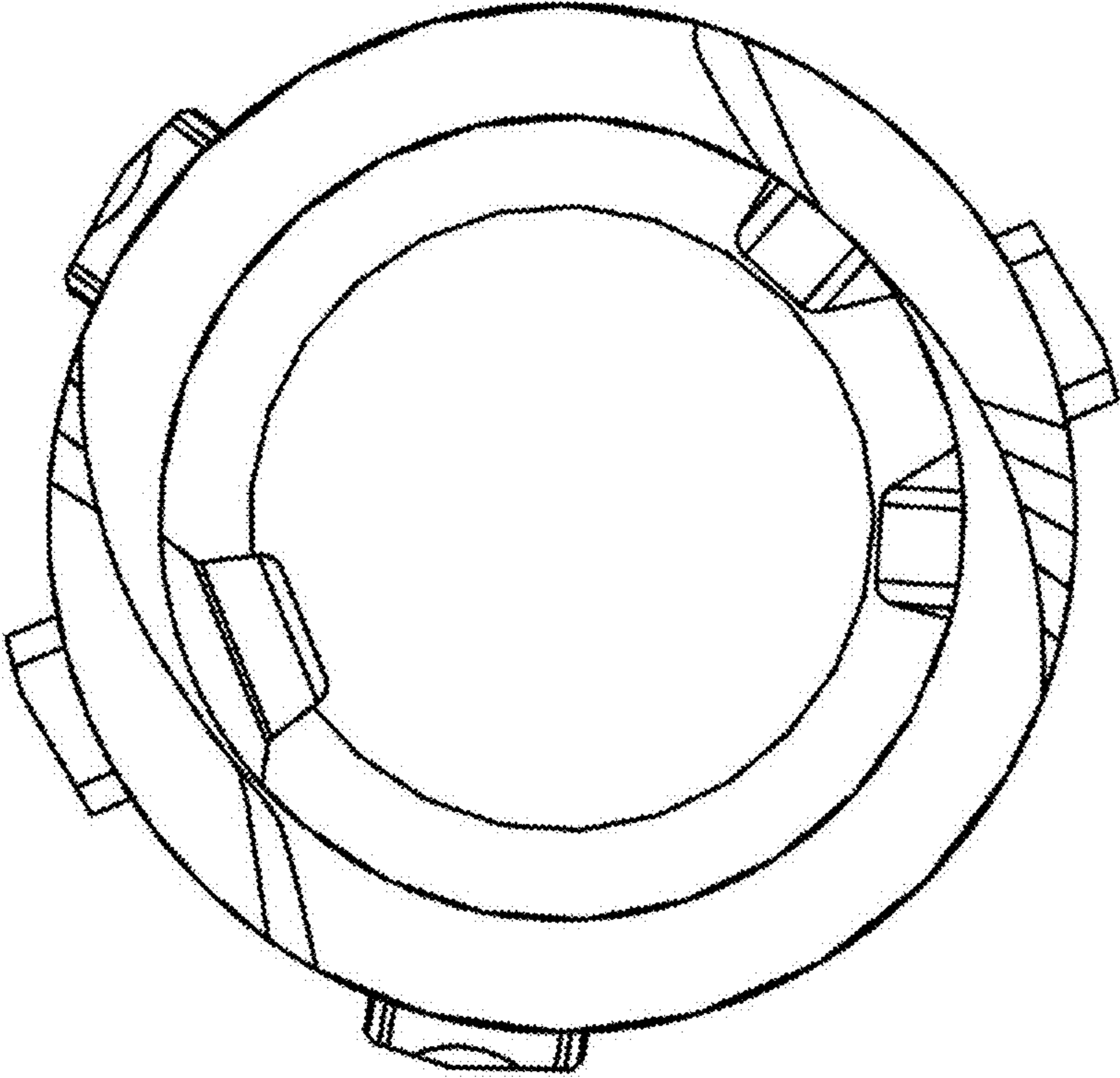


FIG. 6

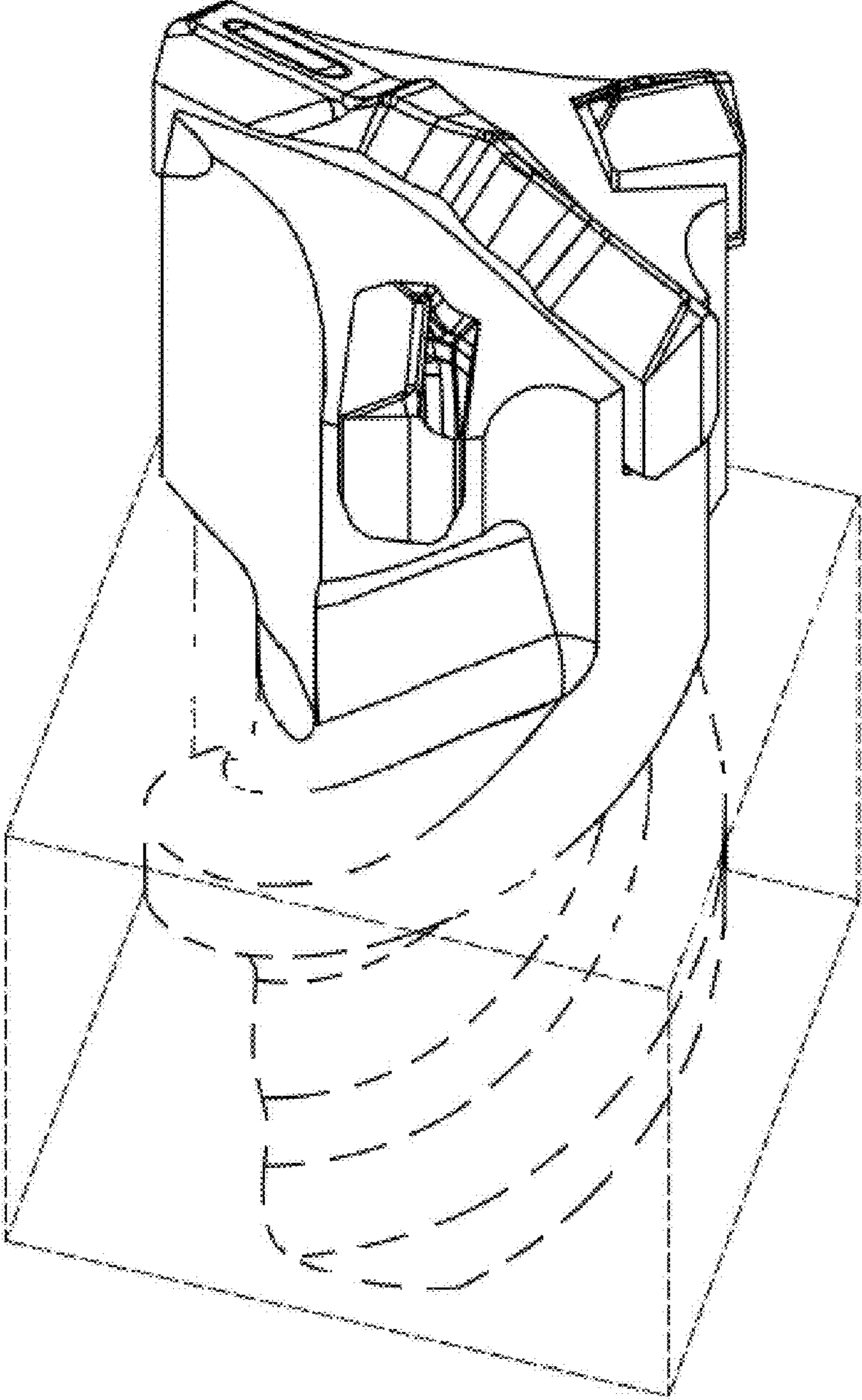


FIG. 7

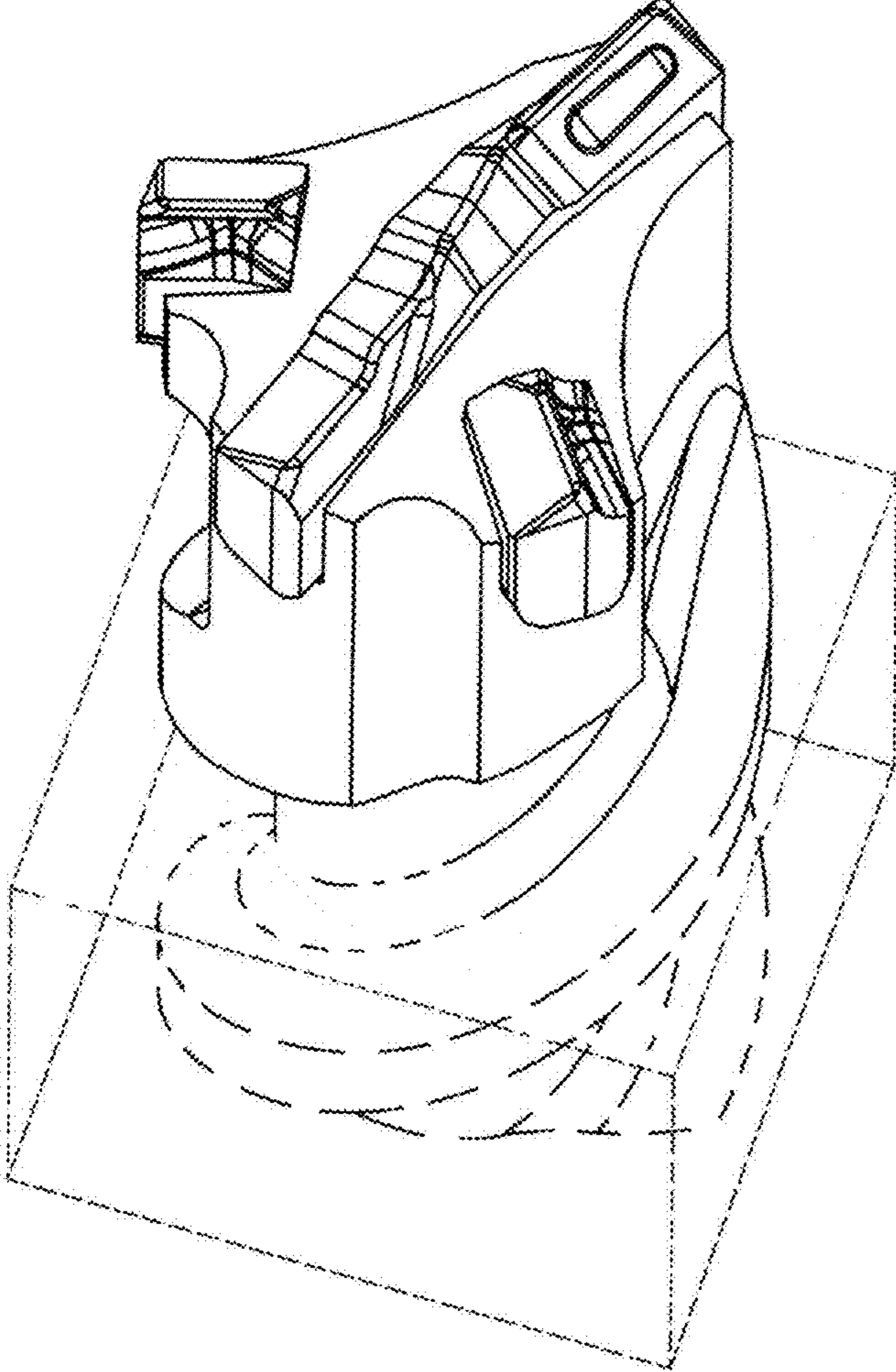


FIG. 8

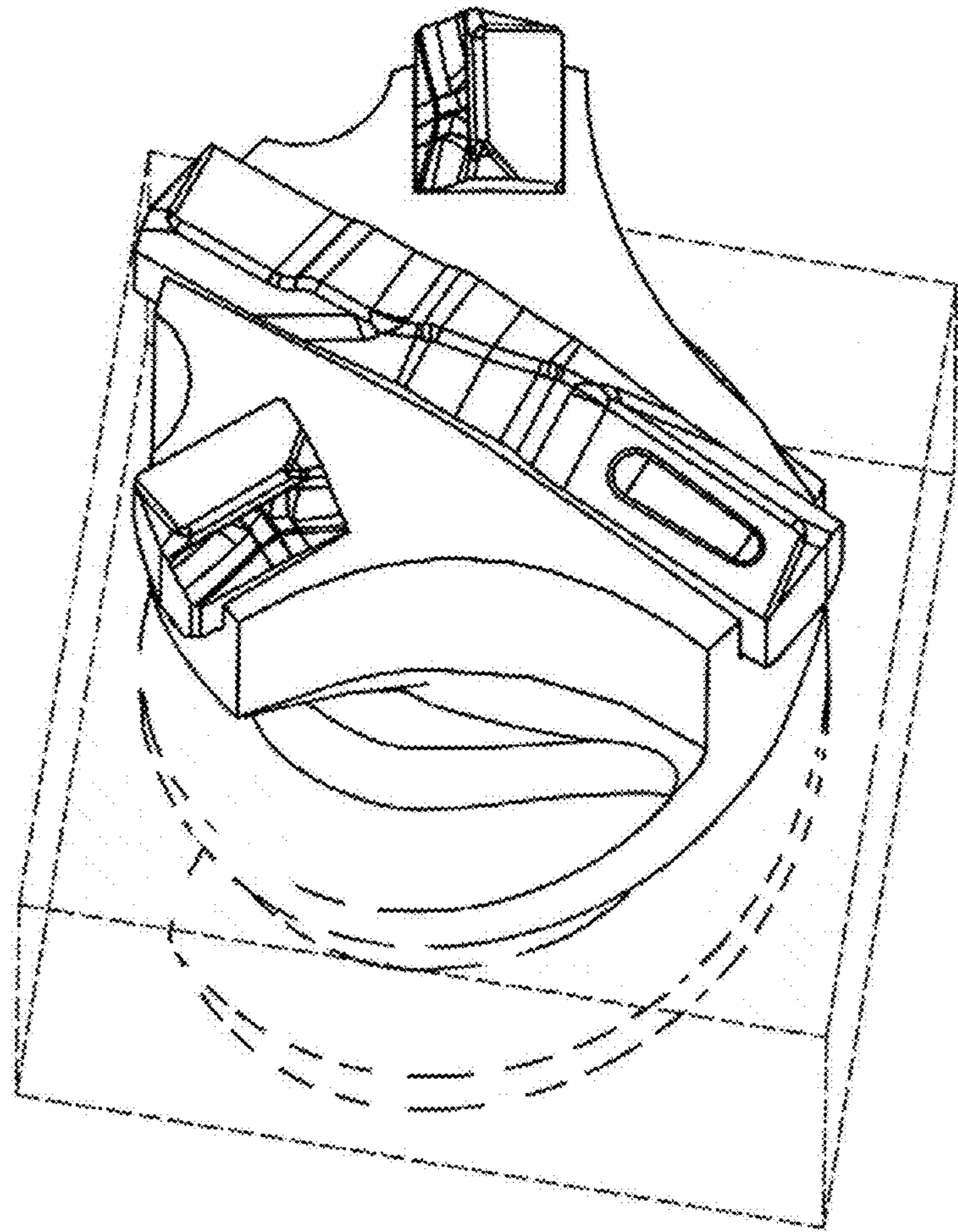


FIG. 9