



US00D723075S

(12) **United States Design Patent**
Weber et al.

(10) **Patent No.:** **US D723,075 S**

(45) **Date of Patent:** **** Feb. 24, 2015**

(54) **DRILL PRESS**

(71) Applicants: **Charles Weber**, Onalaska, WI (US);
Barry M. Schwaiger, Murfreesboro, TN (US)

(72) Inventors: **Charles Weber**, Onalaska, WI (US);
Barry M. Schwaiger, Murfreesboro, TN (US)

(73) Assignee: **JPW Industries, Inc.**, Lavergne, TN (US)

(**) Term: **14 Years**

(21) Appl. No.: **29/496,947**

(22) Filed: **Jul. 18, 2014**

(51) **LOC (10) Cl.** **15-09**

(52) **U.S. Cl.**
USPC **D15/132**

(58) **Field of Classification Search**
CPC B23B 35/00; B23B 39/00; B23Q 1/03;
B23Q 1/74; B23Q 1/5406; B23Q 1/5412;
B23Q 3/02; B23Q 3/005; B23Q 3/069;
B23Q 5/32; B23Q 5/162; B23Q 2705/165;
F16H 9/18; F16H 2009/166
USPC D8/107, 300; D15/132; 29/560;
144/1.1, 46, 253.2, 365; 408/20, 87,
408/91, 103, 110, 129, 135, 140, 220, 227
See application file for complete search history.

(56) **References Cited**

U.S. PATENT DOCUMENTS

3,314,312 A * 4/1967 Niehaus, Jr. et al. 408/128
D285,797 S * 9/1986 Arehart D15/132

5,765,273 A * 6/1998 Mora et al. 29/560
5,960,531 A * 10/1999 Mora et al. 29/560
5,980,167 A * 11/1999 Chen 408/87
D497,622 S * 10/2004 Theising et al. D15/134
D541,318 S * 4/2007 Etter et al. D15/132
D541,319 S * 4/2007 Etter et al. D15/132
D560,696 S * 1/2008 Leasure et al. D15/132
2006/0104731 A1 * 5/2006 Etter et al. 408/16
2007/0166115 A1 * 7/2007 Pemberton et al. 408/89
2013/0039710 A1 * 2/2013 van Valkenburg 408/1 BD

* cited by examiner

Primary Examiner — Patricia Palasik

(74) *Attorney, Agent, or Firm* — Schiff Hardin LLP

(57) **CLAIM**

The ornamental design of a drill press, as shown and described.

DESCRIPTION

FIG. 1 is a perspective view taken from the front, top, right side of the drill press showing our new design;
FIG. 2 is a perspective view taken from the top, front, left side thereof;
FIG. 3 is a perspective view taken from the bottom, back, right side thereof;
FIG. 4 is a perspective view taken from the bottom, back, left side thereof;
FIG. 5 is a front elevational view thereof;
FIG. 6 is a back elevational view thereof;
FIG. 7 is a right side elevational view thereof;
FIG. 8 is a left side elevational view thereof;
FIG. 9 is a top plan view thereof; and,
FIG. 10 is a bottom plan view thereof.
Portions shown in broken lines are for illustrative purposes only and form no part of the claimed design.

1 Claim, 9 Drawing Sheets

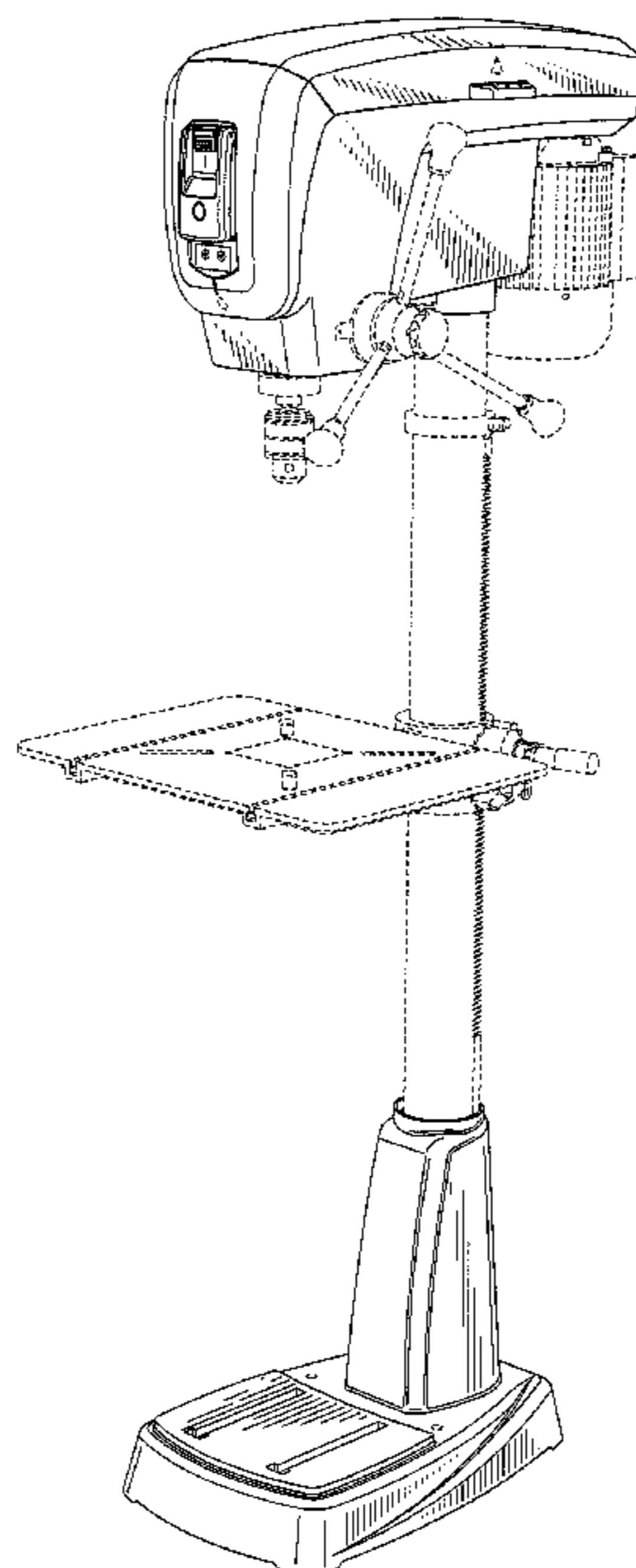
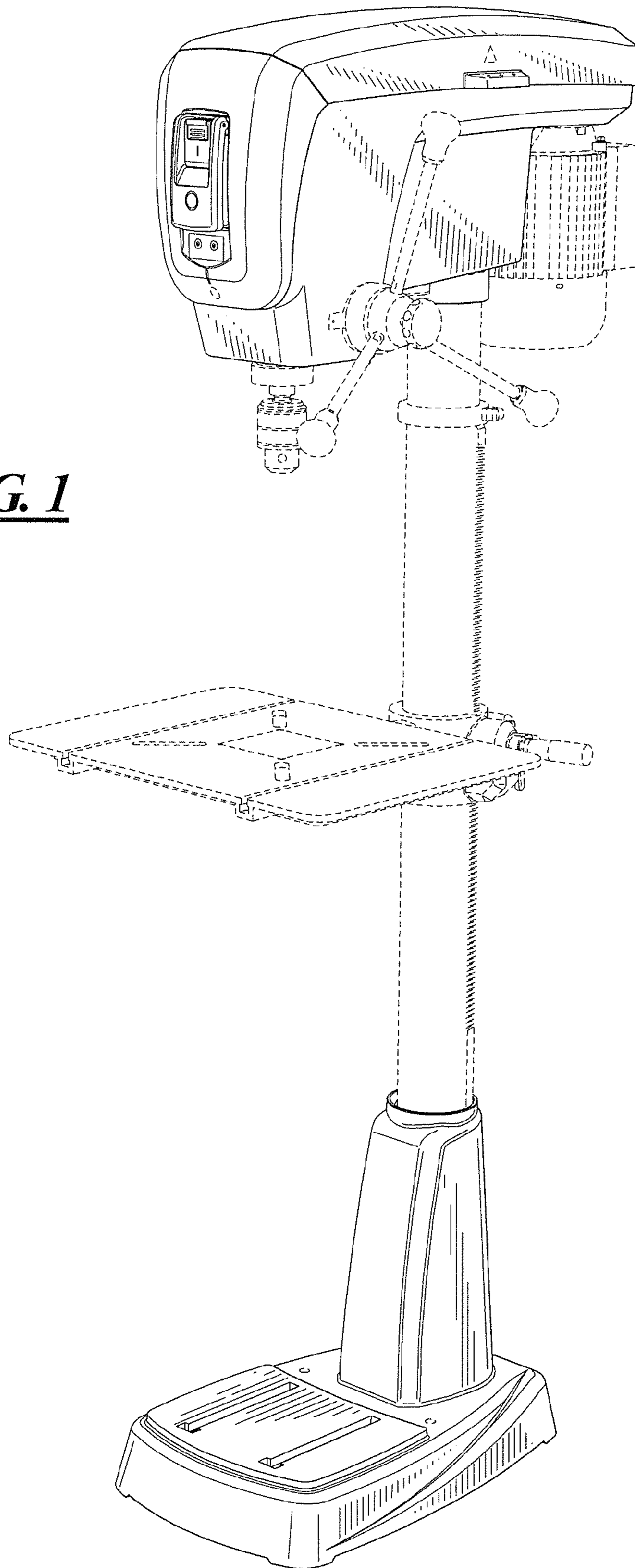


FIG. 1



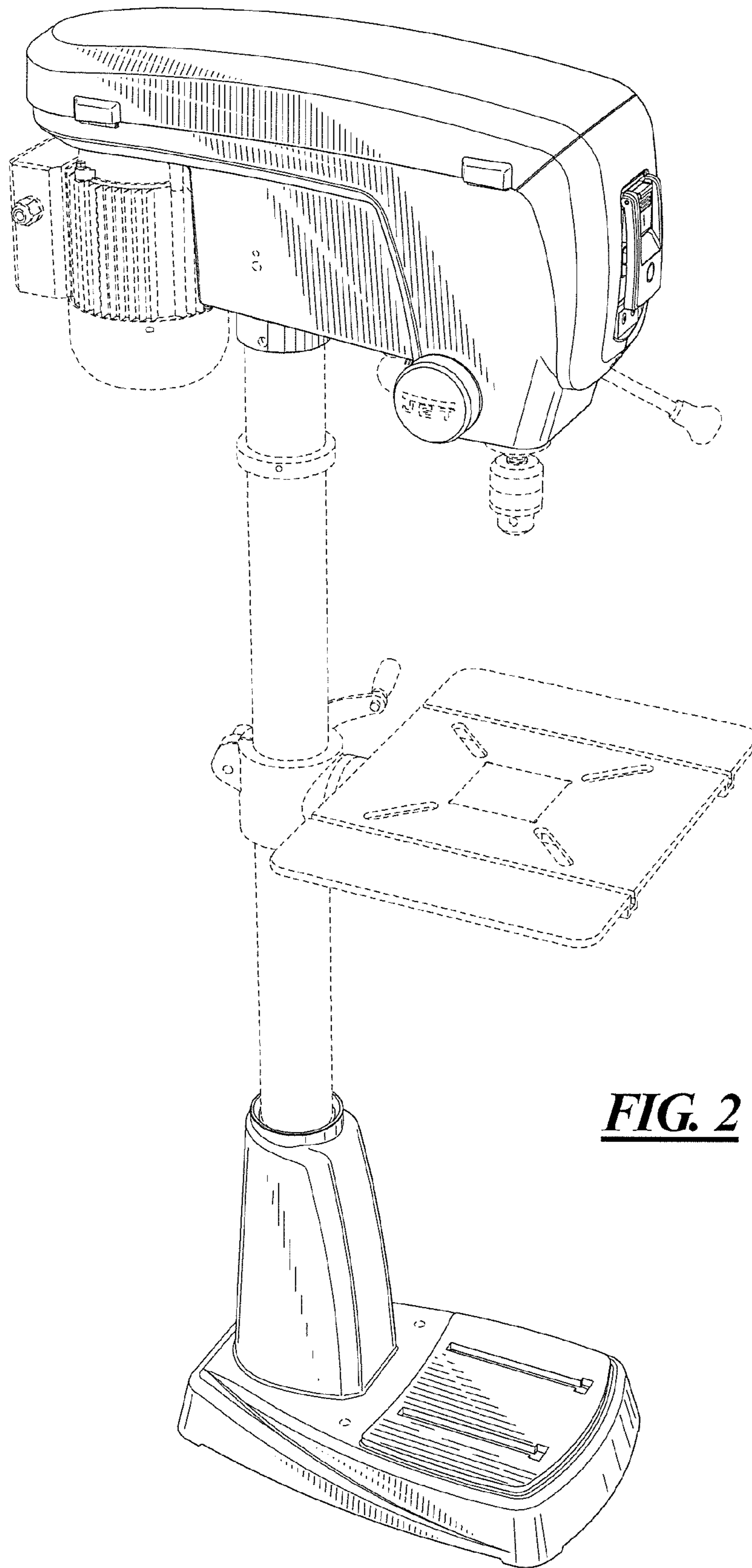


FIG. 2

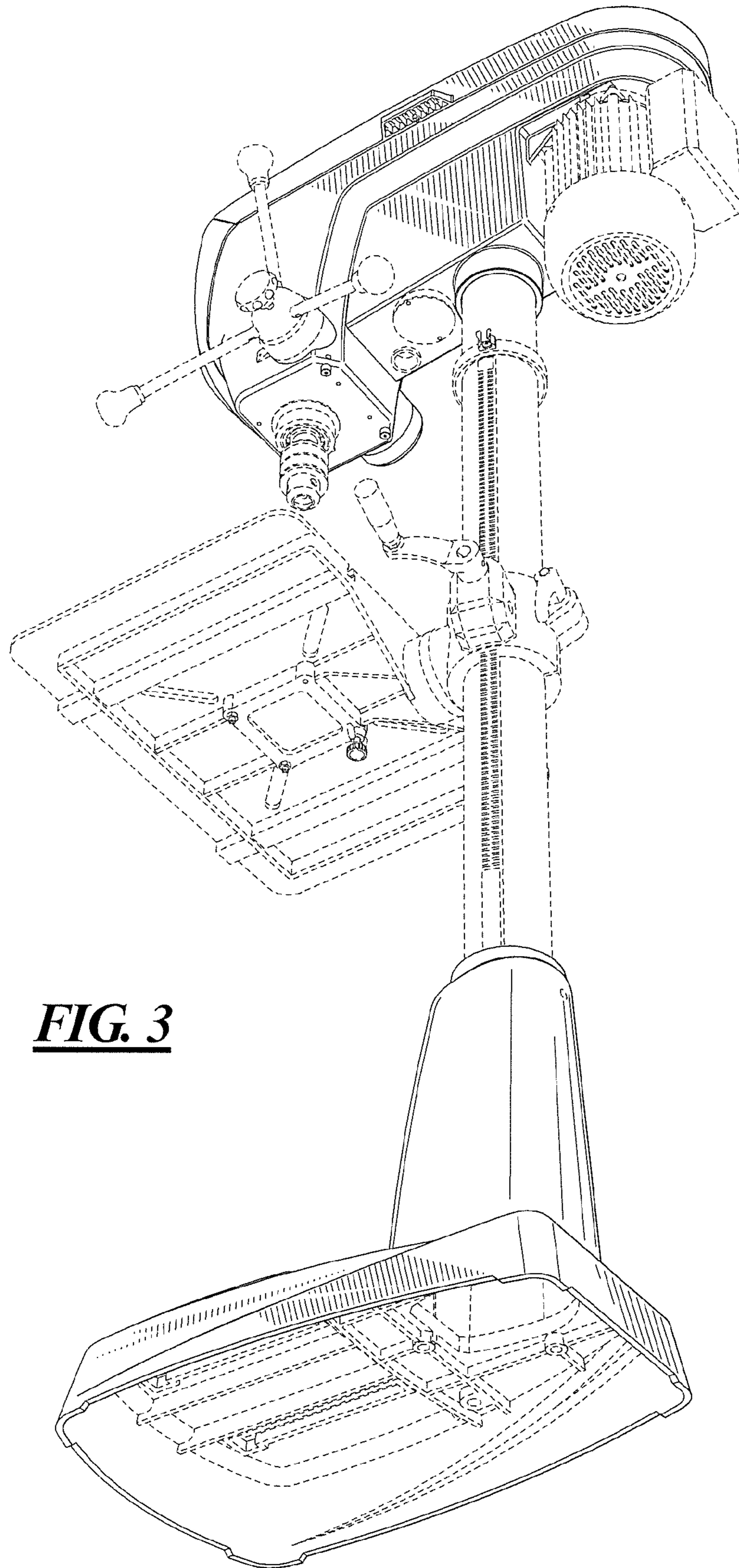


FIG. 3

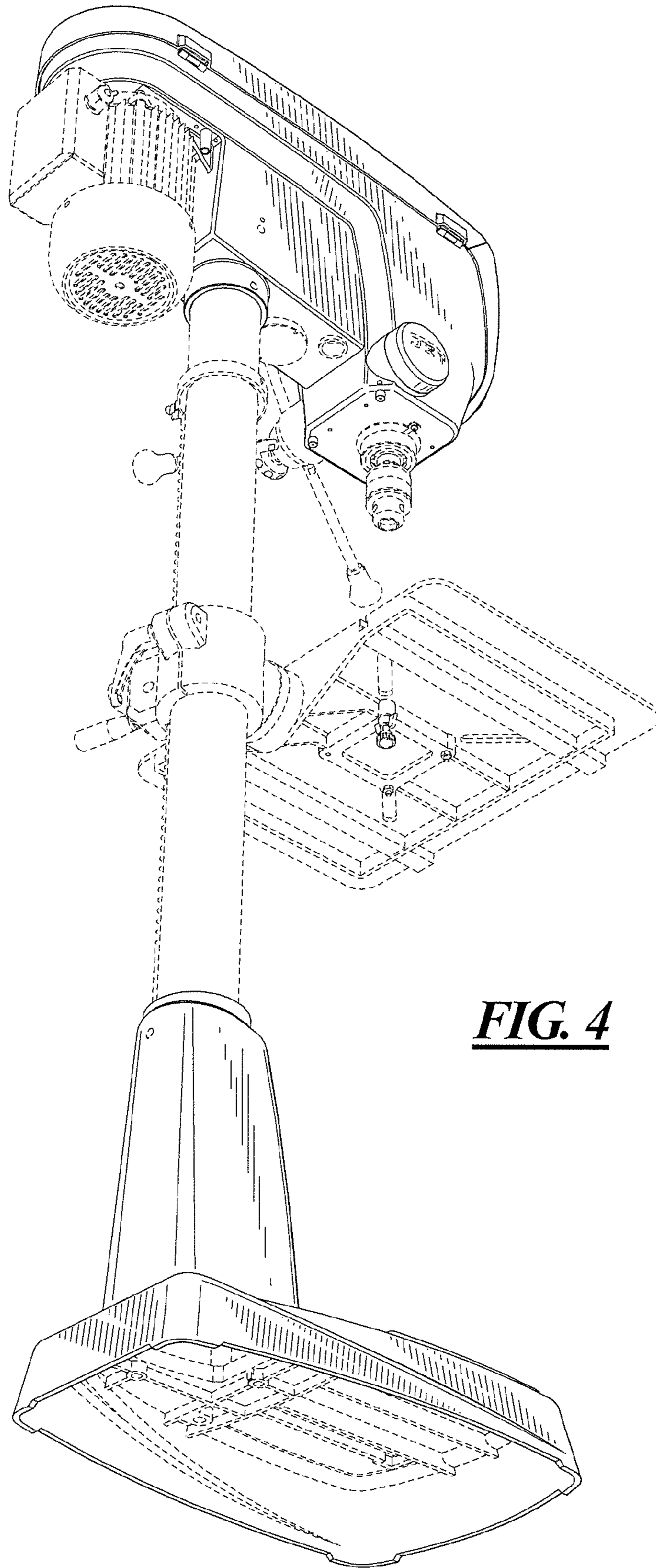


FIG. 4

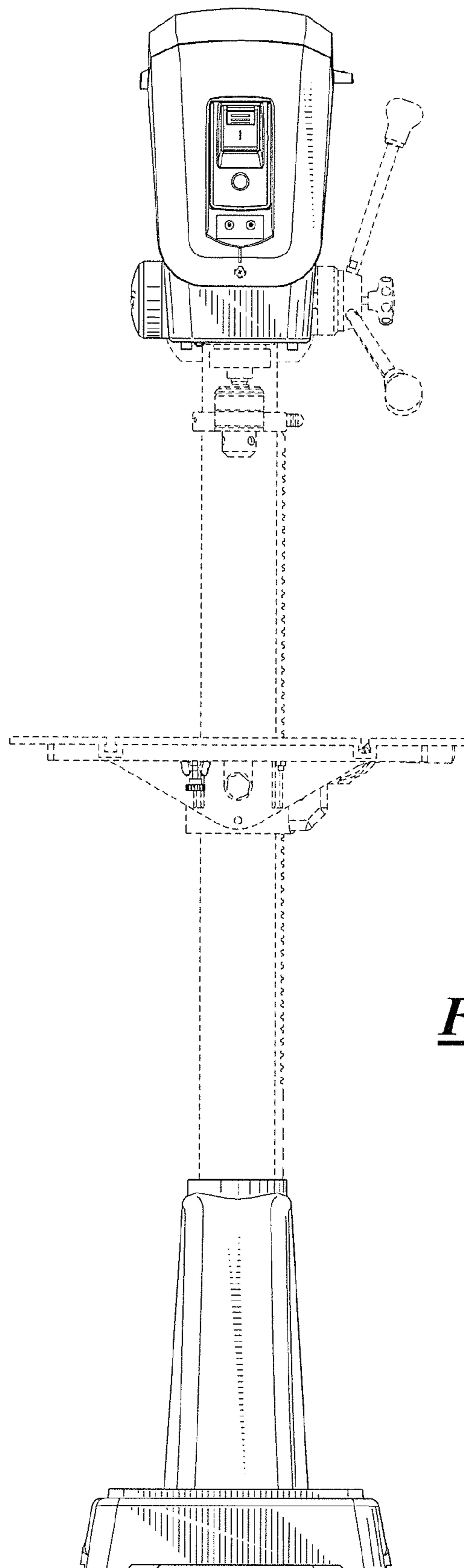


FIG. 5

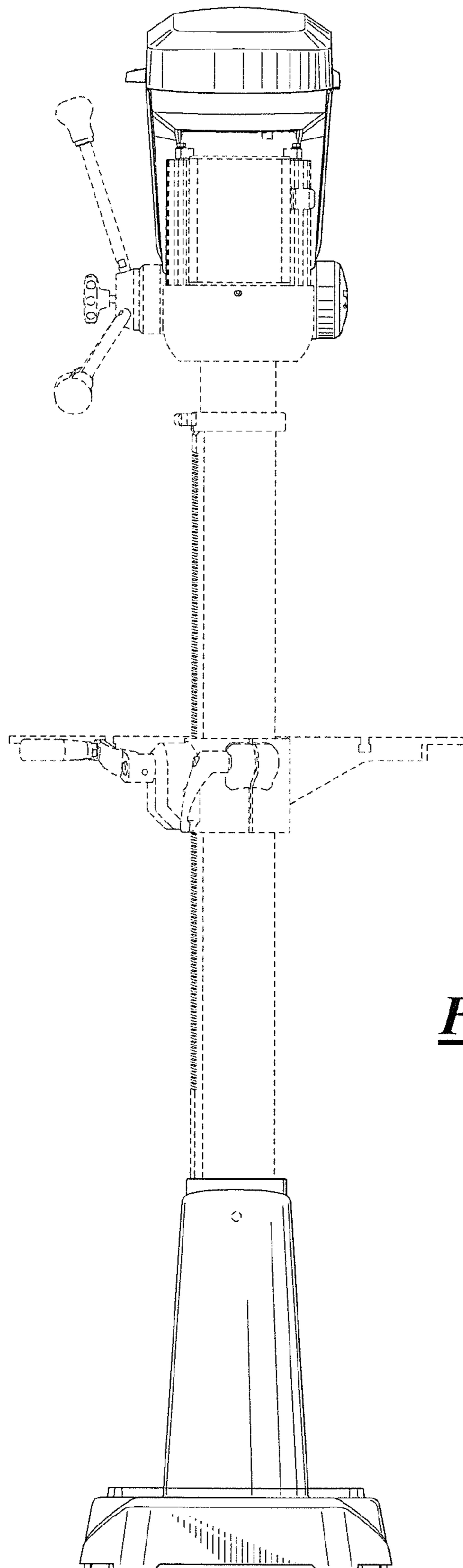
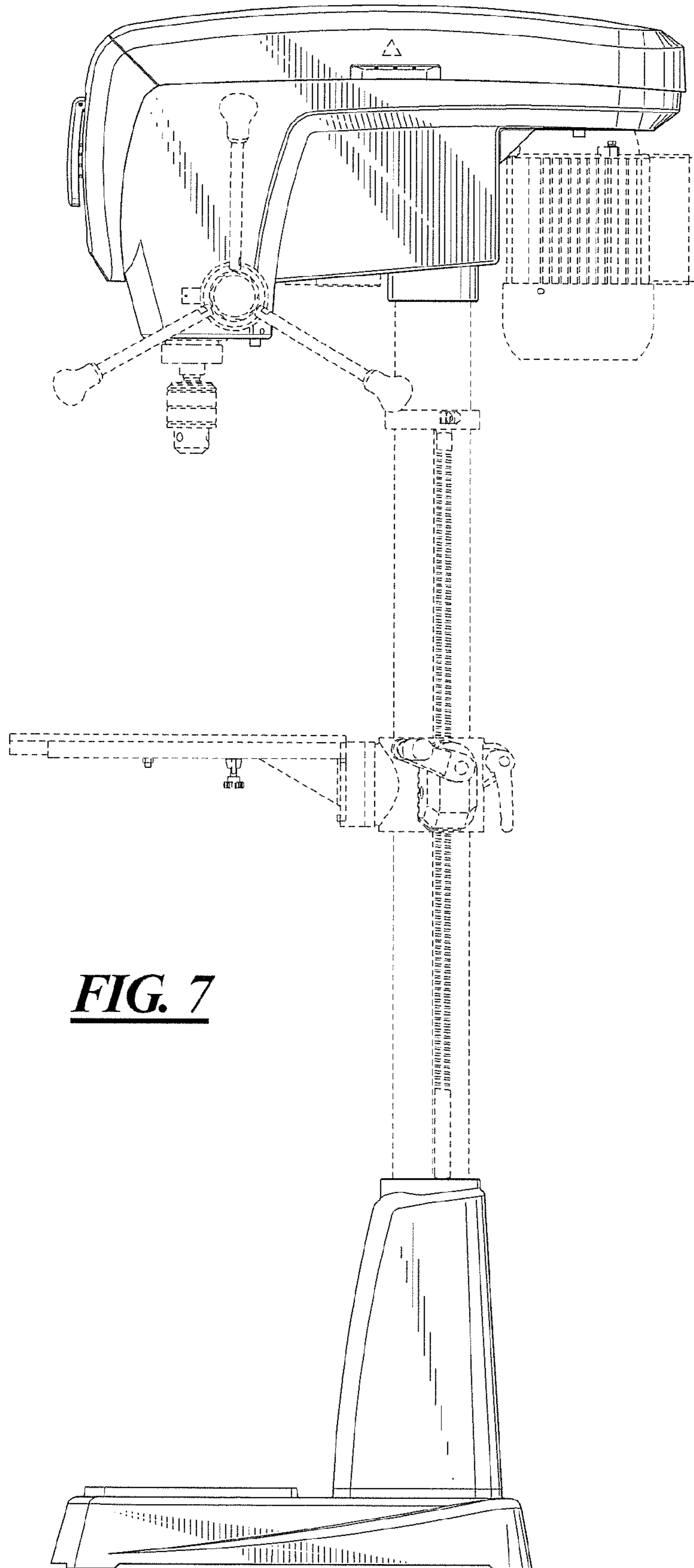


FIG. 6



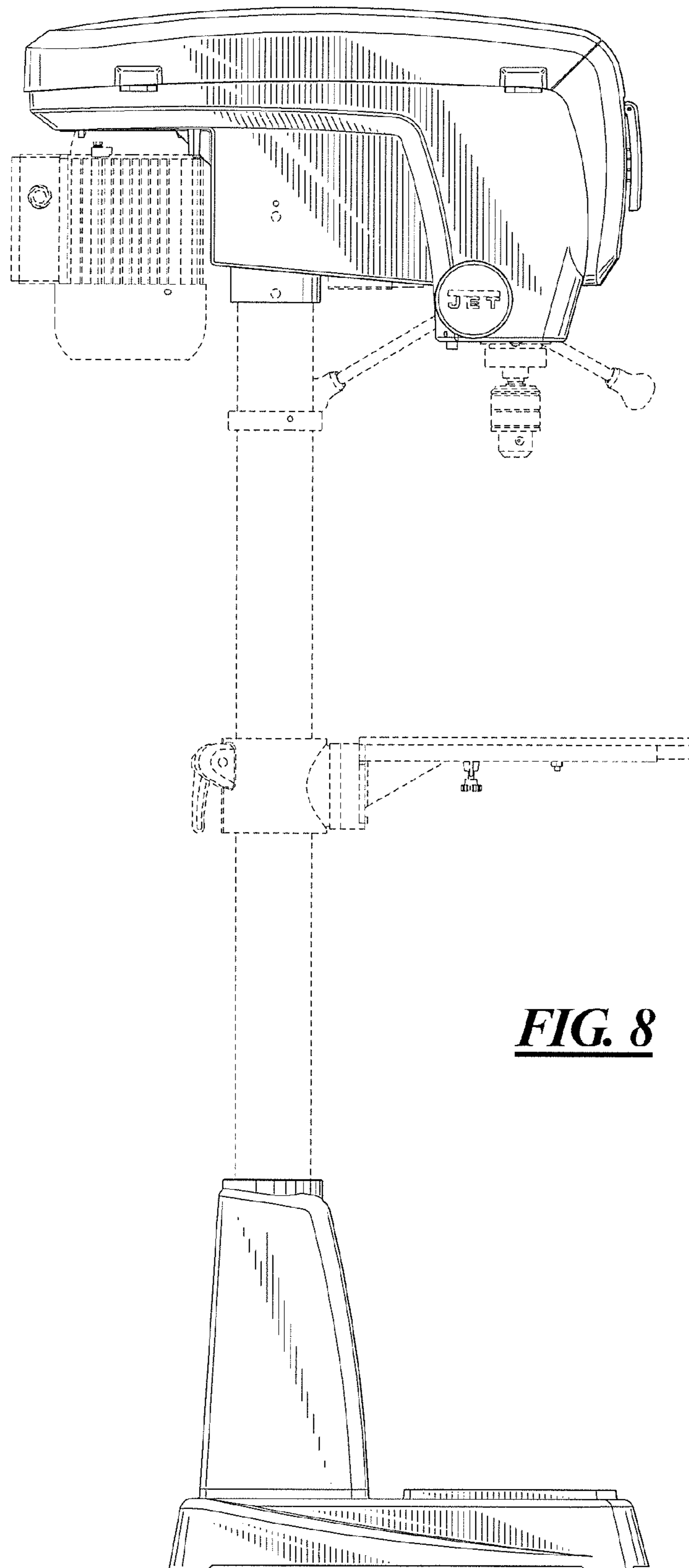


FIG. 9

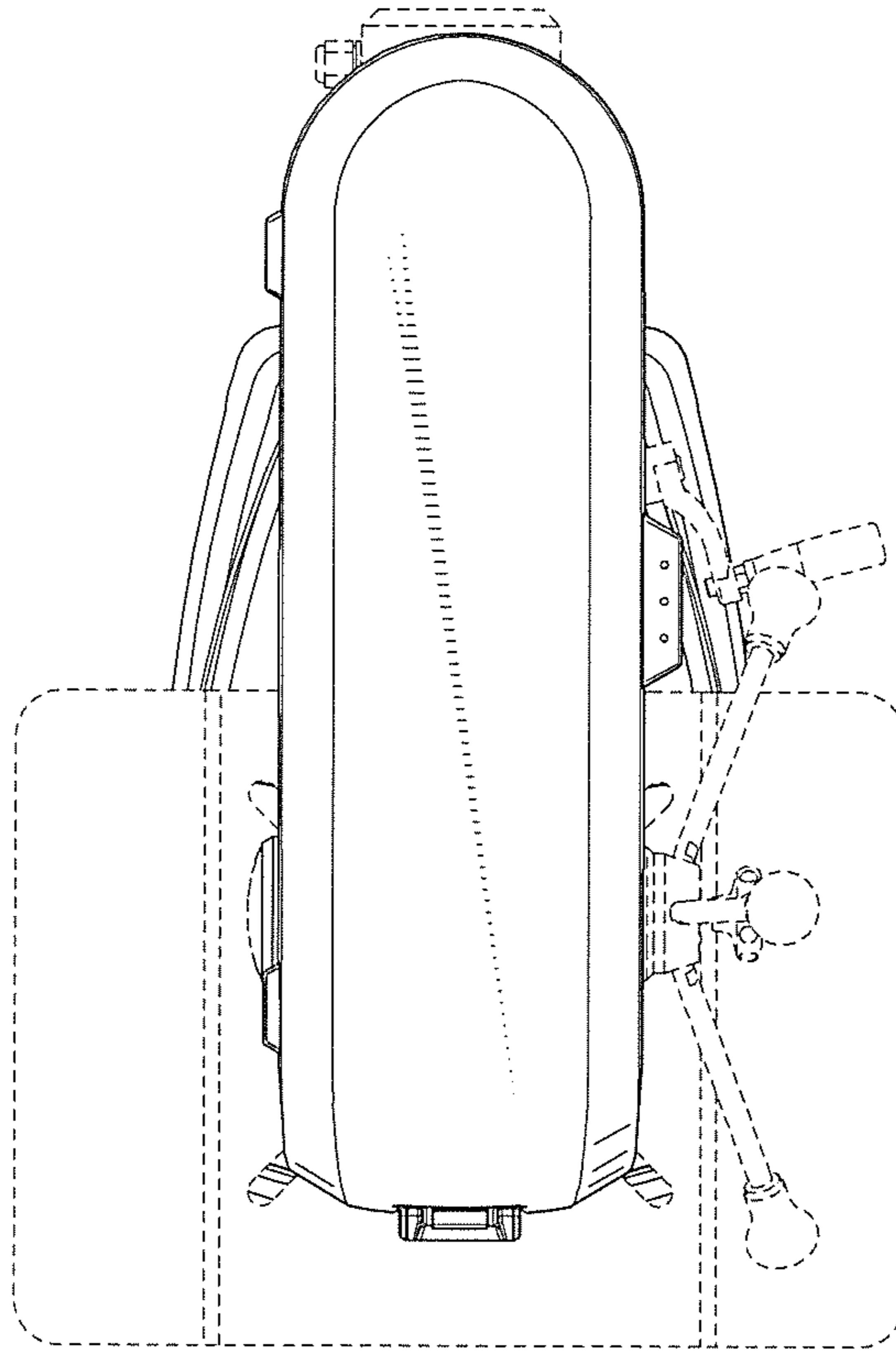


FIG. 10

