



US00D723072S

(12) **United States Design Patent**
Park et al.

(10) **Patent No.:** **US D723,072 S**
(45) **Date of Patent:** **** Feb. 24, 2015**

(54) **HANGER**

6,783,013 B1 * 8/2004 Spann 211/70.6
D607,253 S * 1/2010 McCammon D6/553
D711,436 S * 8/2014 Park et al. D15/89

(71) Applicant: **Samsung Electronics Co., Ltd.**,
Suwon-Si, Gyeonggi-Do (KR)

* cited by examiner

(72) Inventors: **Seojin Park**, Seoul (KR); **Dajeong Kim**,
Seoul (KR)

Primary Examiner — Derrick Holland
Assistant Examiner — Lauren Calve

(73) Assignee: **Samsung Electronics Co., Ltd.**,
Gyeonggi-do (KR)

(74) *Attorney, Agent, or Firm* — Harness, Dickey & Pierce,
P.L.C.

(**) Term: **14 Years**

(21) Appl. No.: **29/453,760**

(57) **CLAIM**

The ornamental design for a hanger, as shown and described.

(22) Filed: **May 2, 2013**

(30) **Foreign Application Priority Data**

DESCRIPTION

Nov. 5, 2012 (KR) 30-2012-0052714

(51) **LOC (10) Cl.** **15-07**

(52) **U.S. Cl.**
USPC **D15/89**

(58) **Field of Classification Search**
USPC D15/79, 81, 85, 89, 91; 223/85-98;
211/10, 71.01, 72, 73, 78, 80, 83, 85,
211/85.2, 87.01, 90.01, 113, 135; 248/95,
248/99, 100, 101, 510, 682, 689;
D6/315-328, 512, 553, 567, 572, 574;
312/321.5; 62/377

See application file for complete search history.

FIG. 1 is the front/right-side/top perspective view of a hanger showing our new design;
FIG. 2 is the front-side elevational view thereof;
FIG. 3 is the rear-side elevational view thereof;
FIG. 4 is the left-side elevational view thereof;
FIG. 5 is the right-side elevational view thereof;
FIG. 6 is the top-side plan view thereof;
FIG. 7 is the bottom-side plan view thereof;
FIG. 8 is the front/right-side/top perspective view thereof shown in an alternate configuration; and,
FIG. 9 is the second front/right-side/top perspective view thereof shown in an environmental state.
The broken lines shown represent unclaimed subject matter and form no part of the claimed design.

(56) **References Cited**

U.S. PATENT DOCUMENTS

5,467,949 A * 11/1995 Lemke 248/95

1 Claim, 6 Drawing Sheets

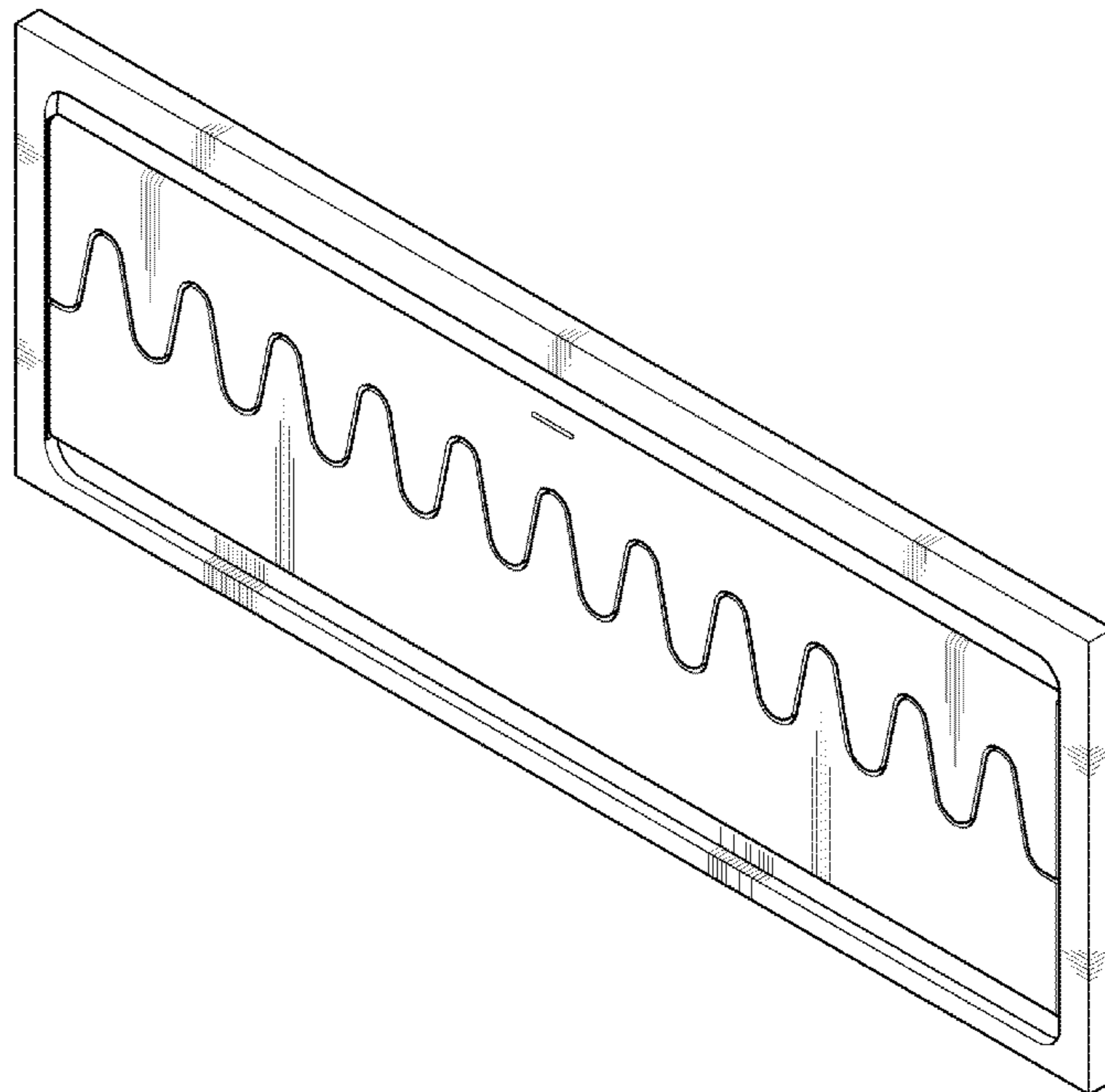


FIG. 1

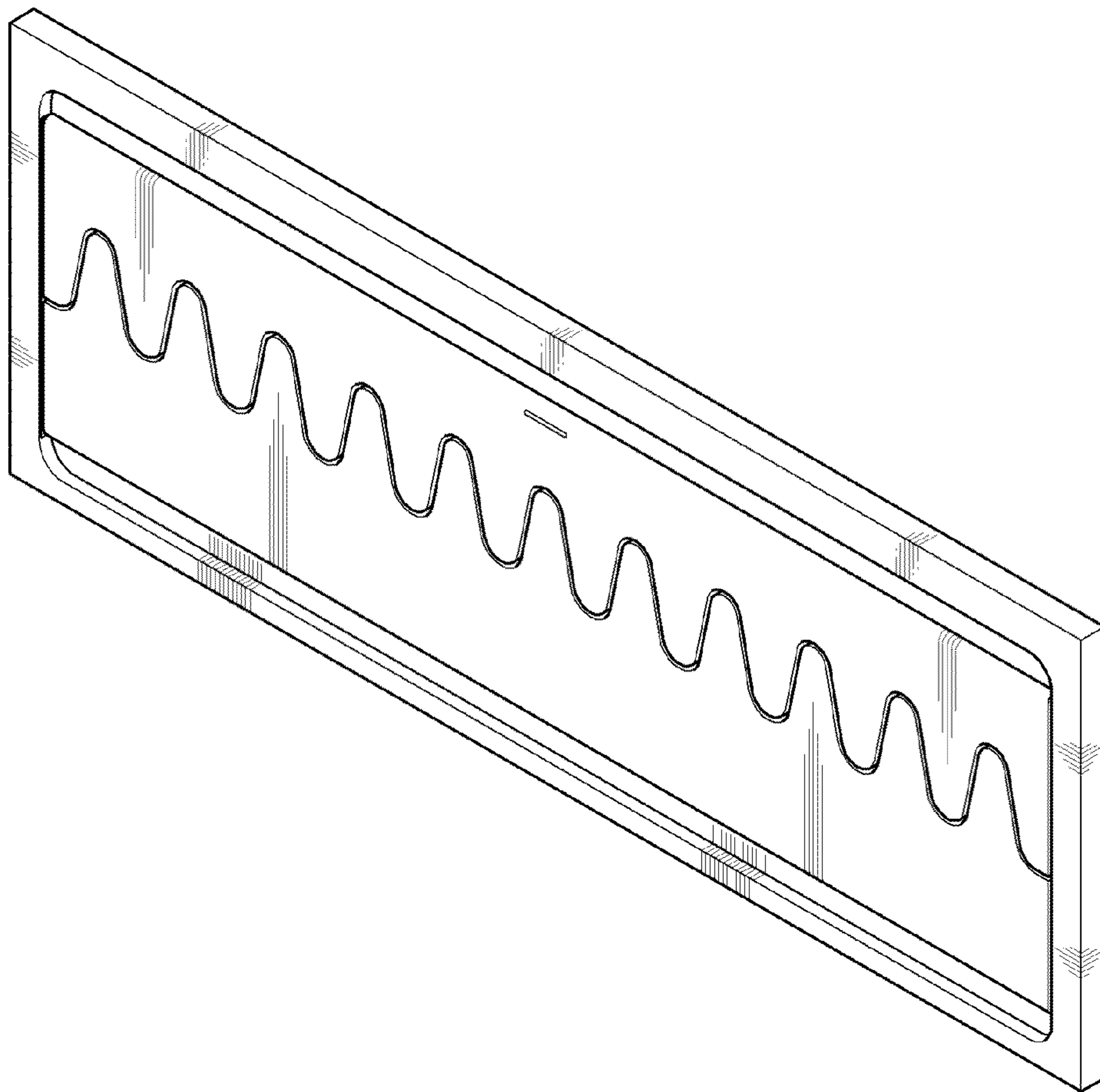


FIG. 2

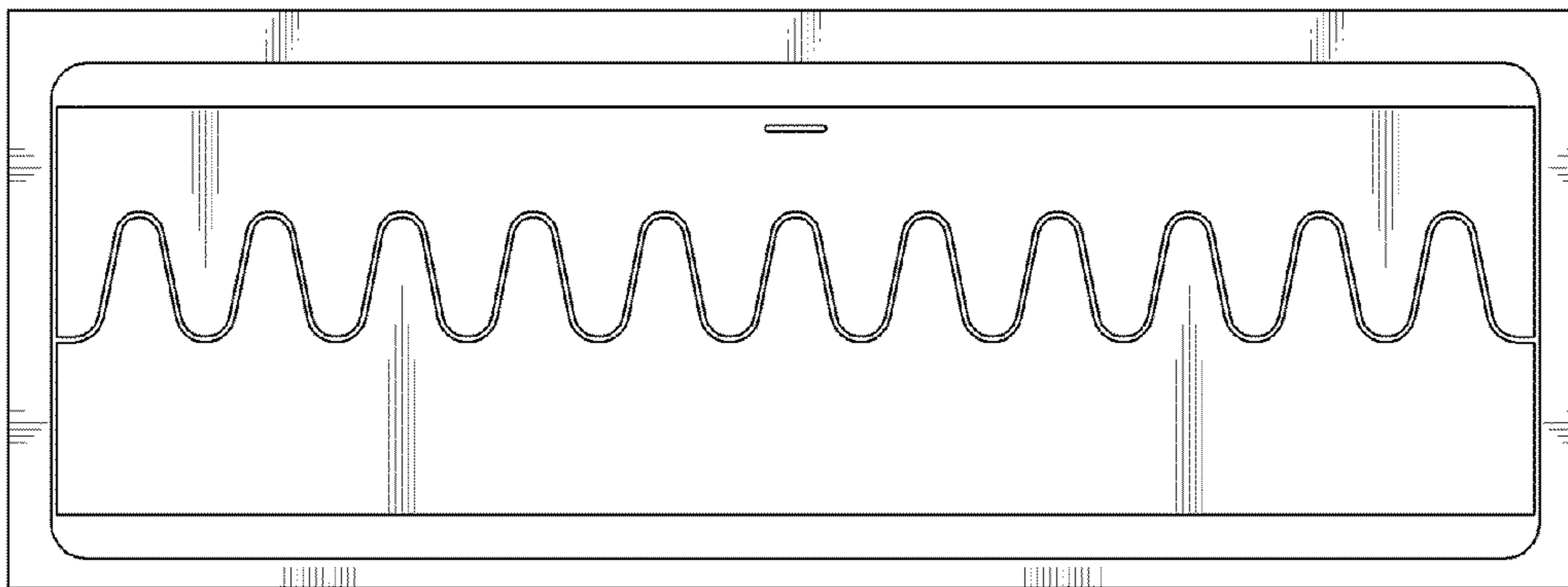


FIG. 3

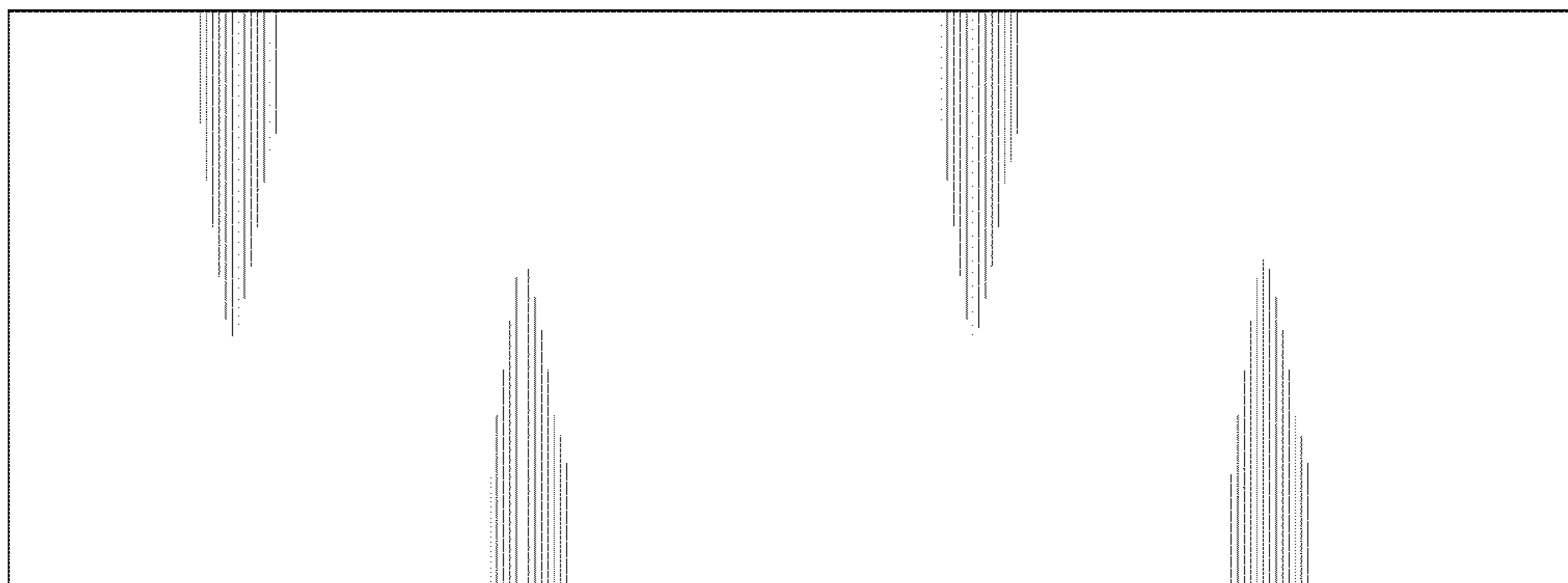


FIG. 4



FIG. 5

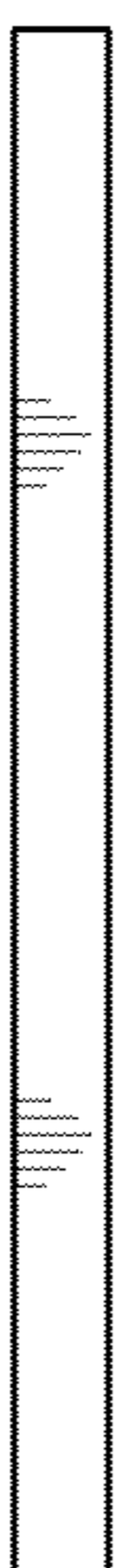


FIG. 6



FIG. 7

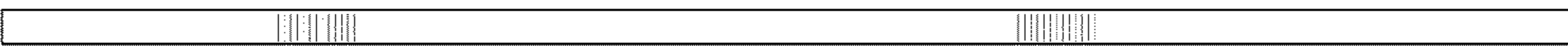


FIG. 8

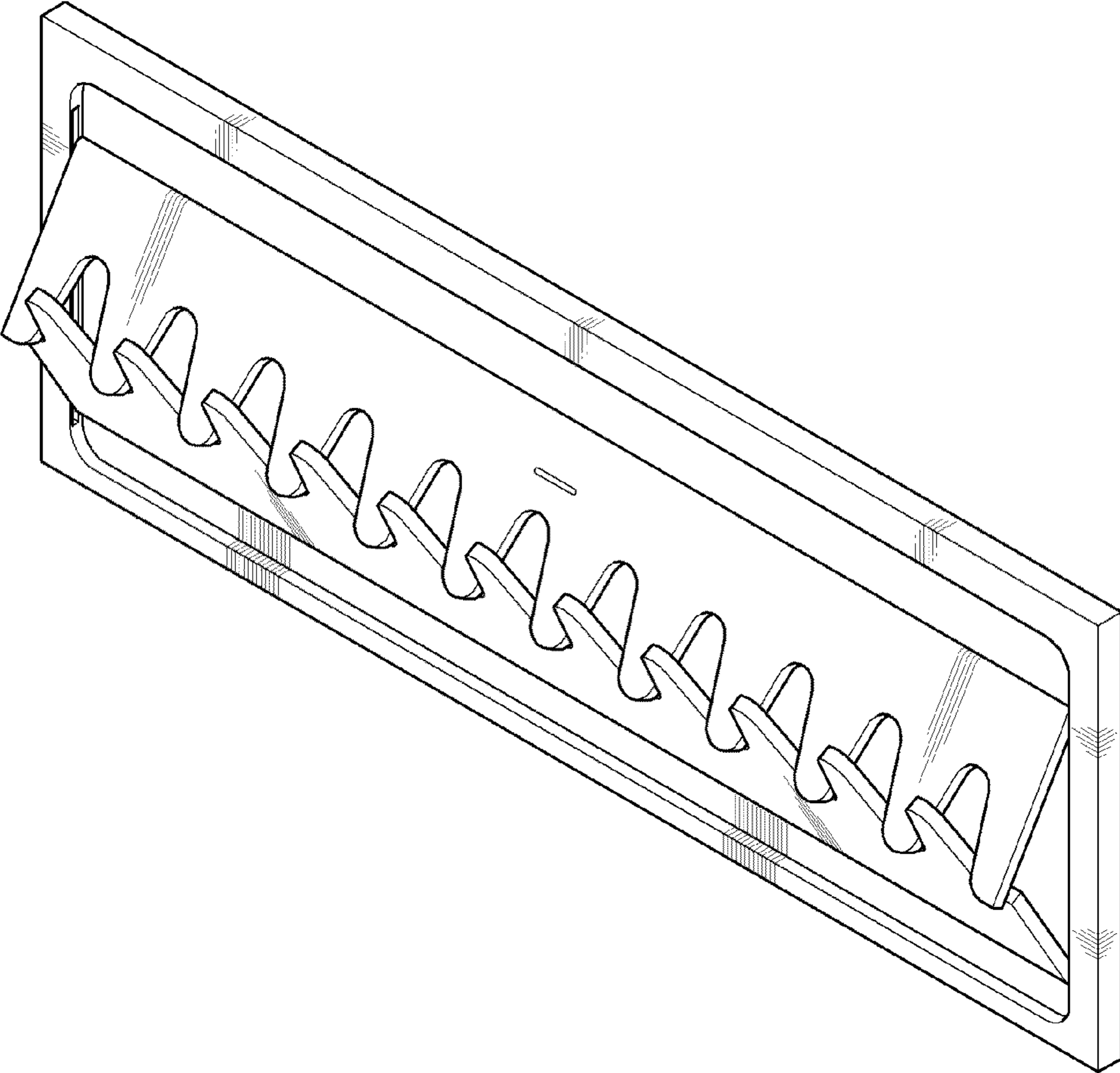


FIG. 9

