



US00D723071S

(12) **United States Design Patent**  
**Jacobsthal et al.**

(10) **Patent No.:** **US D723,071 S**

(45) **Date of Patent:** **\*\* Feb. 24, 2015**

- (54) **SHIELDING FOR A HARVESTER**
- (71) Applicant: **CNH Industrial America LLC**, New Holland, PA (US)
- (72) Inventors: **Eric M. Jacobsthal**, Elmhurst, IL (US); **Marc R. M. Jonckheere**, Snellegem (BE); **Darin A. Weisensel**, Racine, WI (US)
- (73) Assignee: **CNH Industrial America LLC**, New Holland, PA (US)
- (\*\*) Term: **14 Years**
- (21) Appl. No.: **29/491,119**
- (22) Filed: **May 16, 2014**
- (51) **LOC (10) Cl.** ..... **15-03**
- (52) **U.S. Cl.**  
USPC ..... **D15/33**
- (58) **Field of Classification Search**  
USPC ..... D15/10, 26, 28, 33; 56/122-125, 14.5, 56/14.6; 296/2, 190, 191, 193.7  
See application file for complete search history.

5,309,700 A	5/1994	Winkels et al.	
5,519,987 A	5/1996	Voss et al.	
D373,591 S	9/1996	Von Allworden et al.	
D399,851 S	10/1998	Stauffer et al.	
D400,543 S	11/1998	Benedict et al.	
6,000,203 A	12/1999	Weatherbee et al.	
D432,142 S	10/2000	Olson et al.	
D436,363 S	1/2001	Strong et al.	
6,282,875 B1	9/2001	Holtkotte et al.	
D460,461 S	7/2002	Strong et al.	
7,261,632 B2	8/2007	Pirro et al.	
D566,138 S	4/2008	Forkert	
D568,342 S	5/2008	Kleingraeber	
D599,830 S *	9/2009	Jacobsthal et al.	D15/33
D639,826 S *	6/2011	Barrelmeyer	D15/26
D643,052 S *	8/2011	Hagele et al.	D15/33
D648,357 S *	11/2011	Hagele et al.	D15/33
2006/0254237 A1	11/2006	Ricketts et al.	

\* cited by examiner

*Primary Examiner* — Mark Goodwin

(74) *Attorney, Agent, or Firm* — Patrick M. Sheldrake; Seyed V. Sharifi T.

(57) **CLAIM**

We claim the ornamental design for the shielding for a harvester, as shown and described.

**DESCRIPTION**

FIG. 1 is a side perspective view of a shielding for a harvester showing an embodiment of our new design;  
 FIG. 2 is a side view thereof;  
 FIG. 3 is an opposite side view thereof;  
 FIG. 4 is a front view thereof;  
 FIG. 5 is a rear view thereof;  
 FIG. 6 is a top view thereof; and,  
 FIG. 7 is a bottom view thereof.

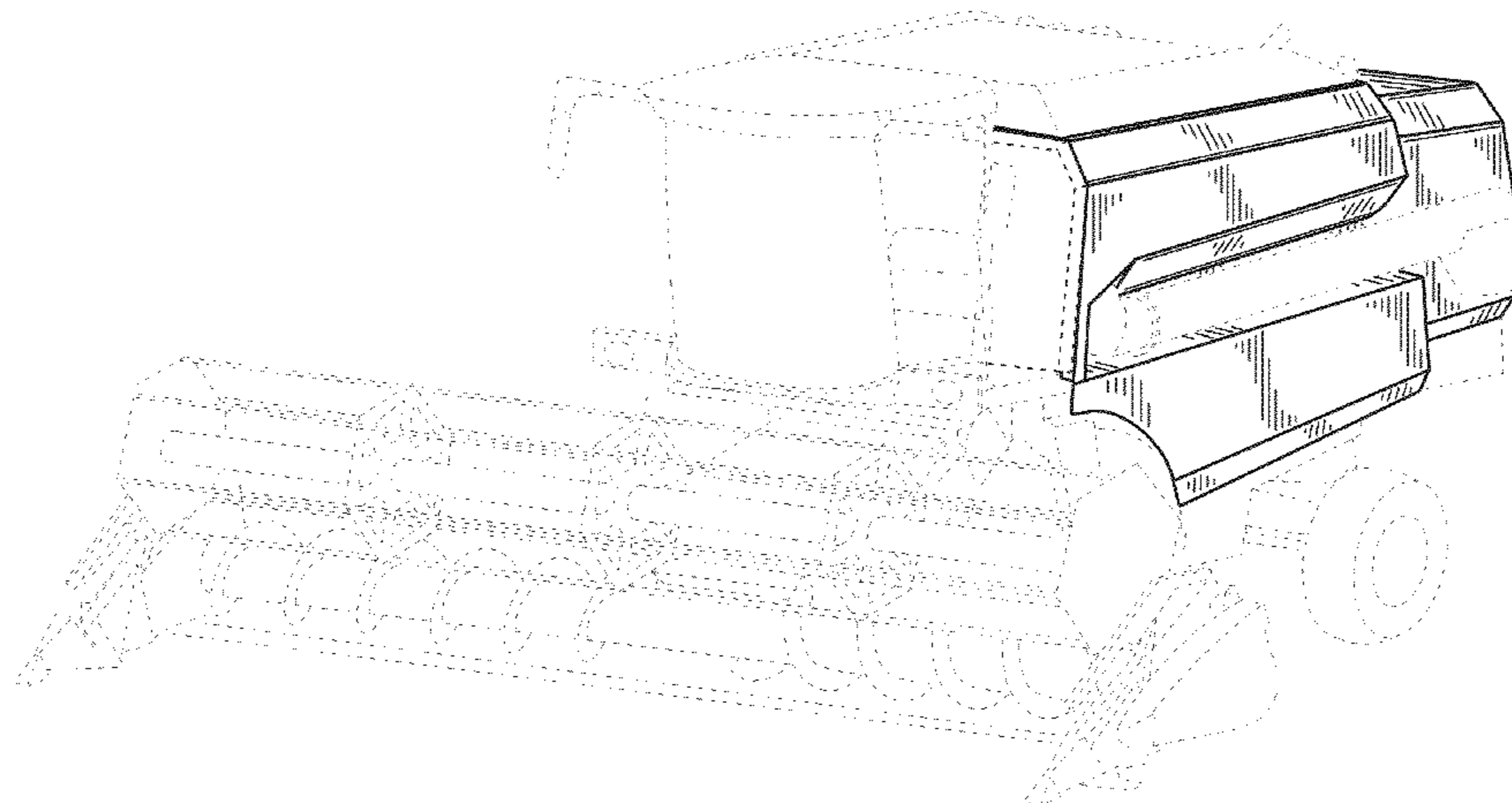
Only the shapes and portions bounded by solid lines form the claimed design. The elements depicted in dashed lines are shown for illustrative purpose of environment and form no part of the ornamental design.

**1 Claim, 7 Drawing Sheets**

(56) **References Cited**

U.S. PATENT DOCUMENTS

D205,780 S *	9/1966	Van Der Lely	D15/26
3,384,232 A	5/1968	Turnbull et al.	
D218,984 S *	10/1970	Slavens et al.	D15/26
3,636,684 A *	1/1972	Vogelaar et al.	56/14.7
3,650,052 A	3/1972	Maiste et al.	
D223,466 S	4/1972	Fell	
D231,557 S	4/1974	Hennen et al.	
D245,420 S	8/1977	Maucher	
D253,057 S	10/1979	Fachini et al.	
4,256,431 A	3/1981	Strauss et al.	
4,524,573 A	6/1985	Kinney	
D300,221 S	3/1989	Odahara et al.	
D309,738 S	8/1990	Schober et al.	
5,156,570 A	10/1992	Justice, III	



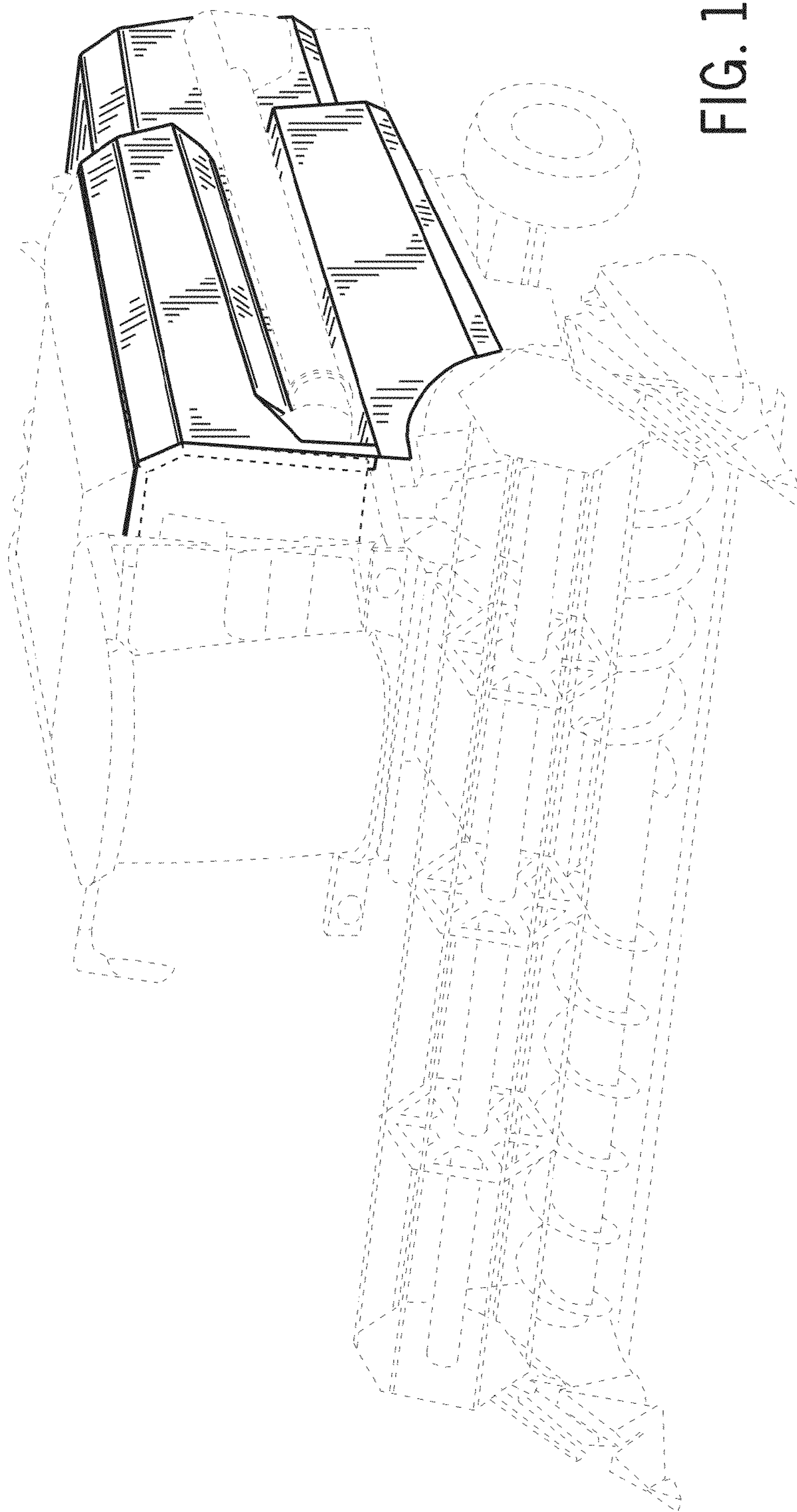


FIG. 1

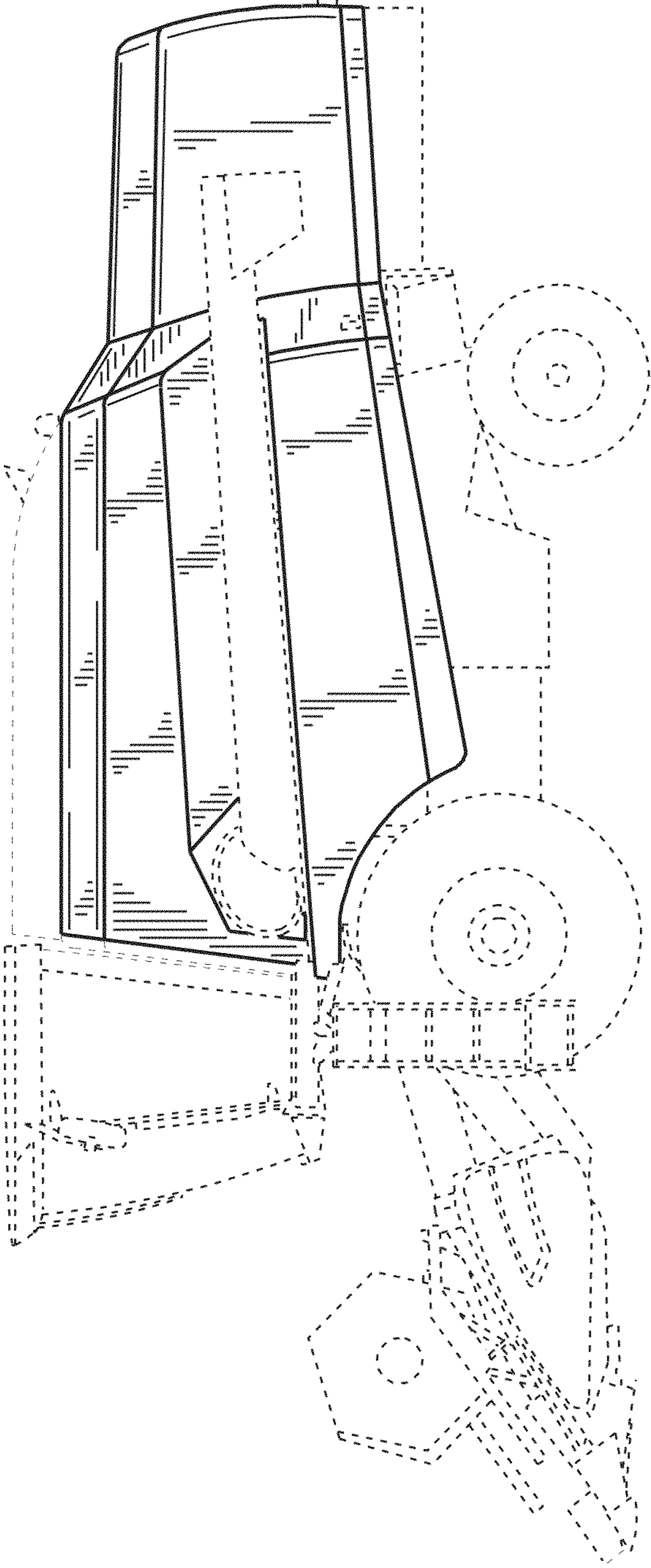


FIG. 2



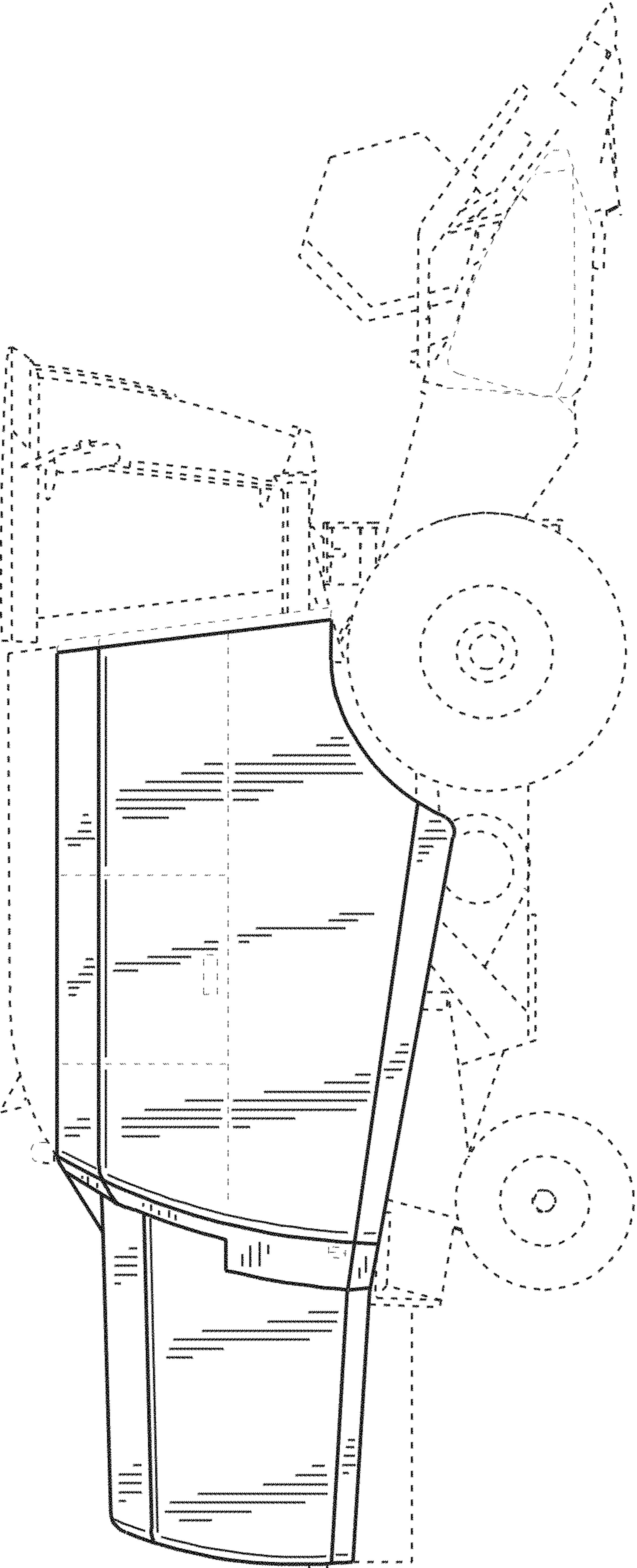


FIG. 3

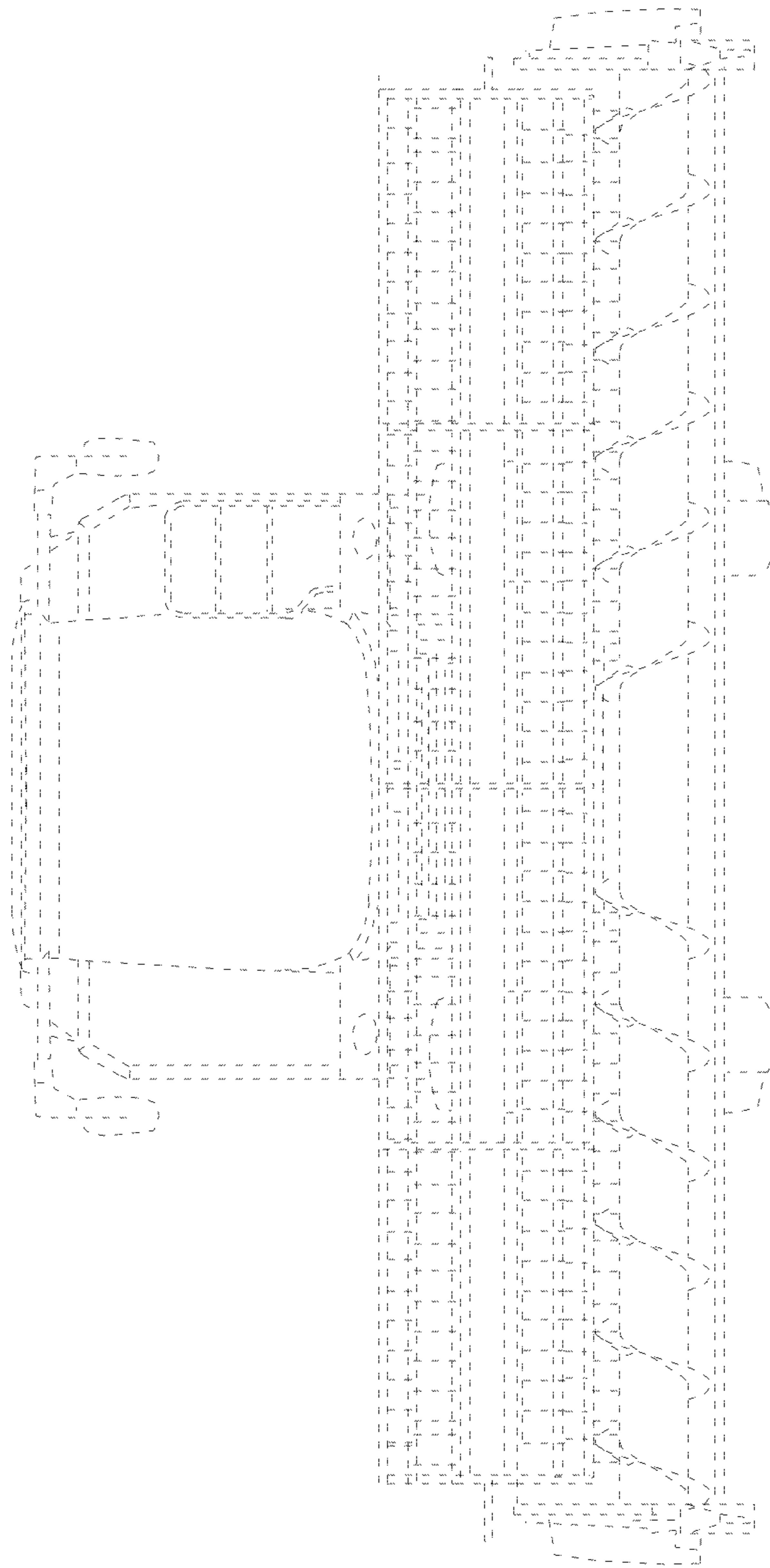


FIG. 4

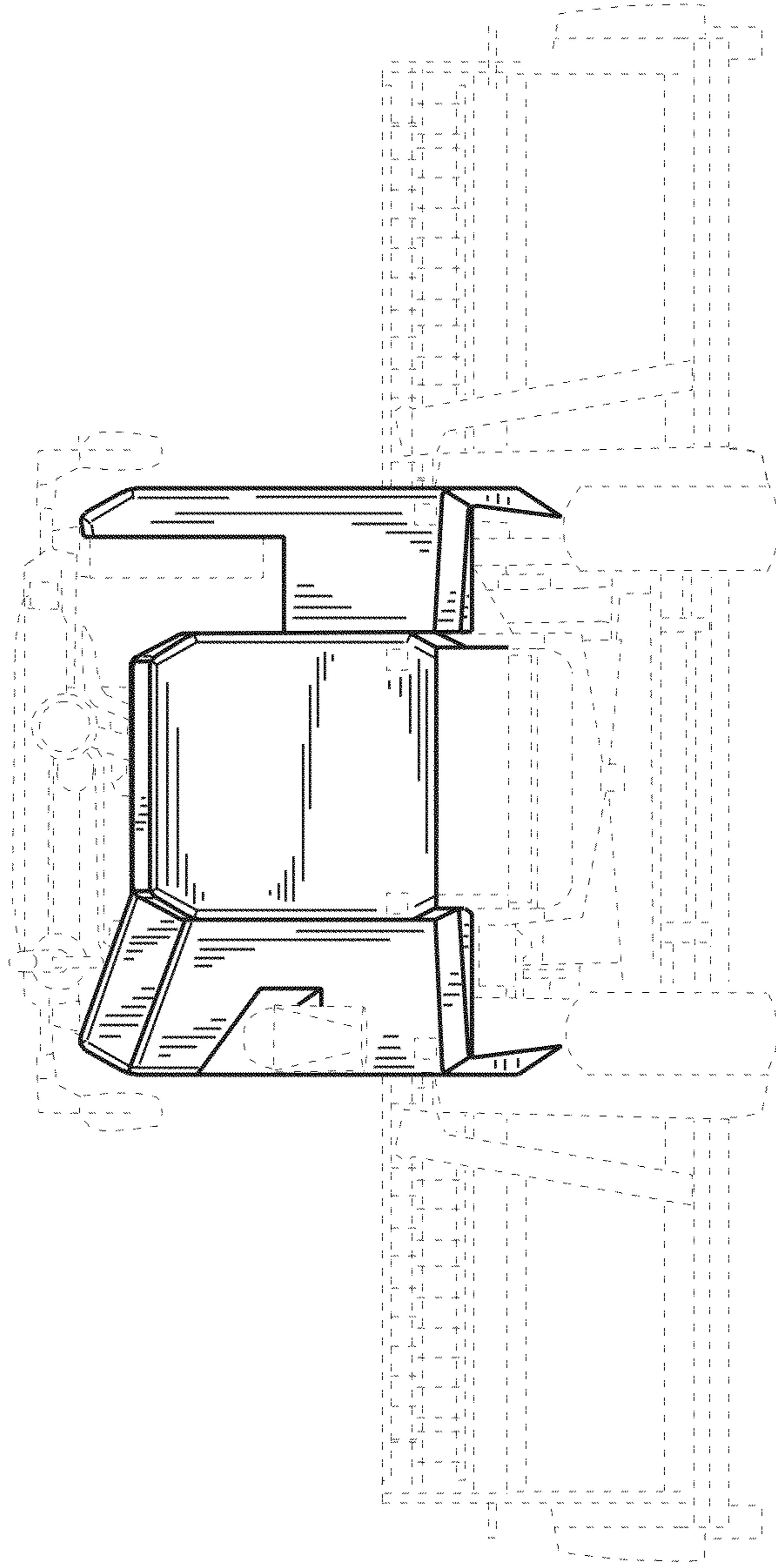


FIG. 5

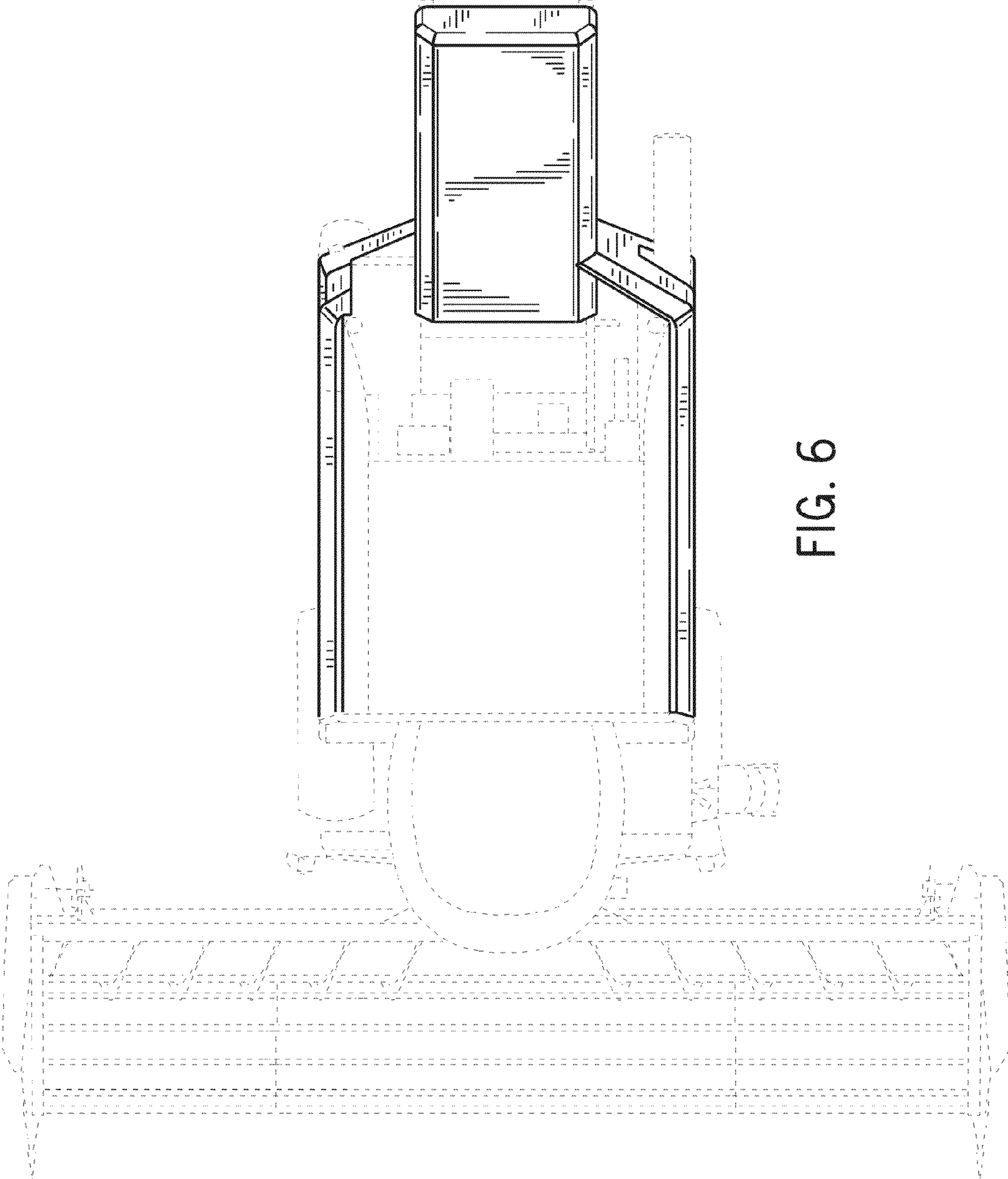


FIG. 6

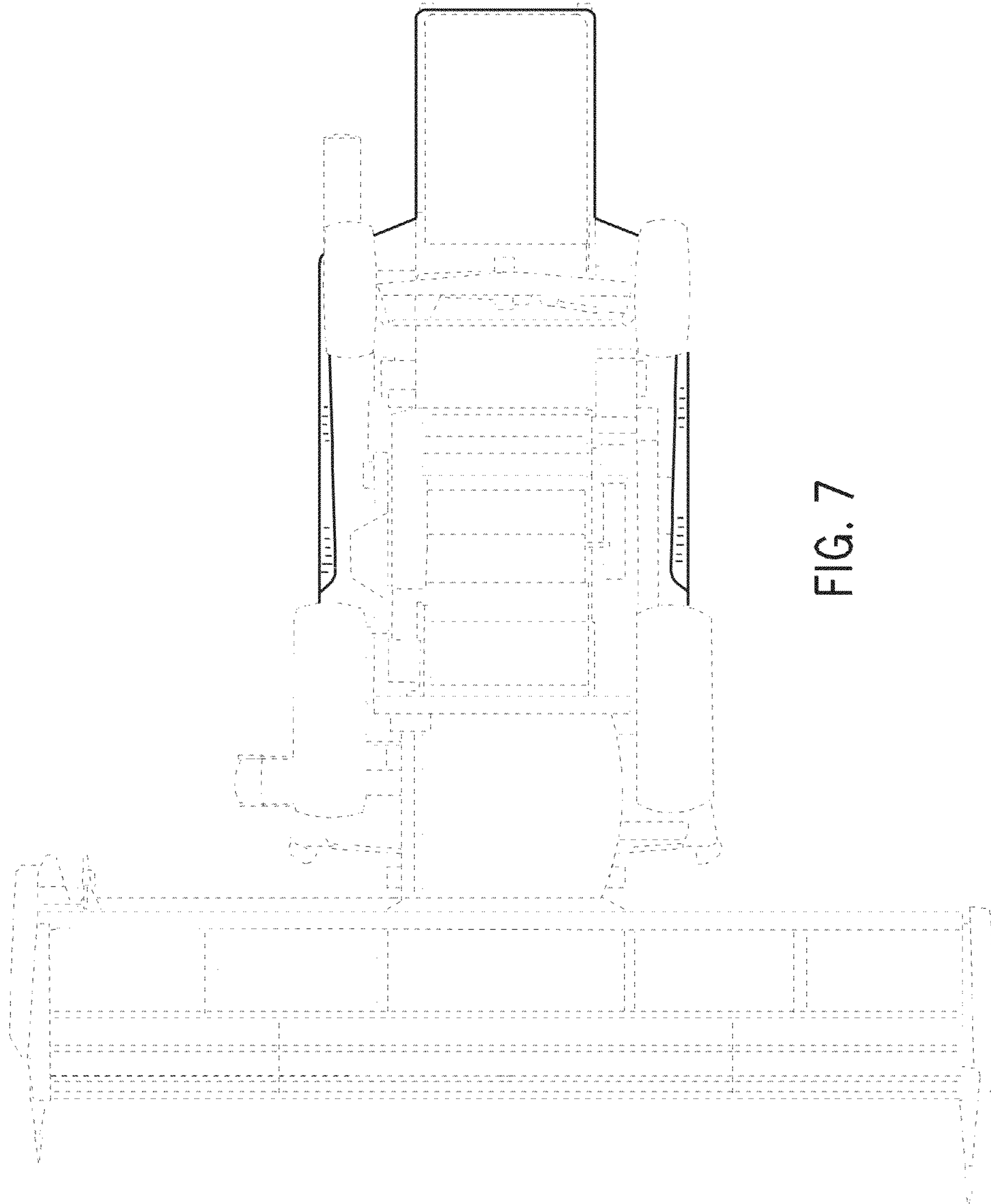


FIG. 7



UNITED STATES PATENT AND TRADEMARK OFFICE  
**CERTIFICATE OF CORRECTION**

PATENT NO. : D723,071 S  
APPLICATION NO. : 29/491119  
DATED : February 24, 2015  
INVENTOR(S) : Eric M. Jacobsthal et al.

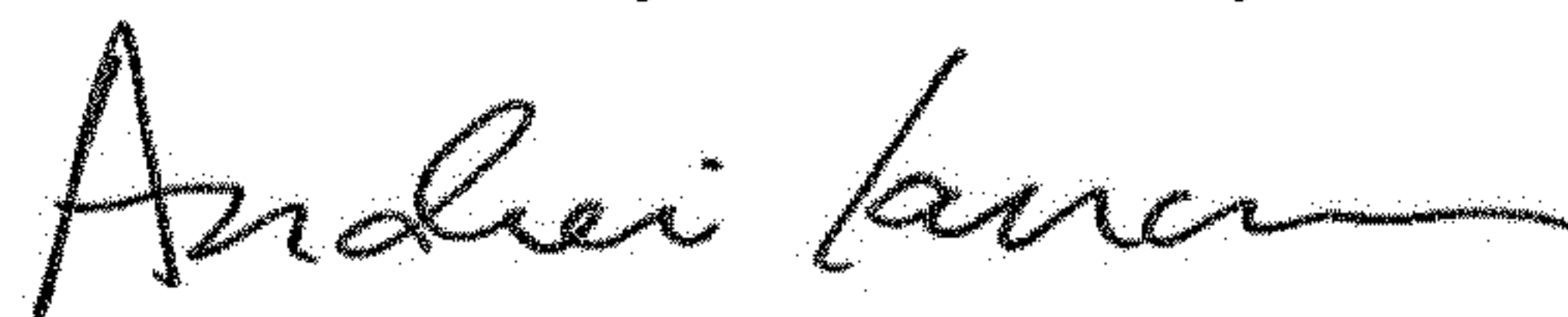
Page 1 of 1

It is certified that error appears in the above-identified patent and that said Letters Patent is hereby corrected as shown below:

On the Title Page

Item (72), under Inventors, after "Darin A. Weisensel, Racine, WI (US)", please insert the following --Frank P. Verbeke, Zedelgem (BE); Vincent Isaac, Koolkamp (BE); Marcel Verhoeven, Zedelgem (BE); Pieter M.I. Steen, Jeper (BE); Carl J. Hagele, The Villages, FL (US)--.

Signed and Sealed this  
Eleventh Day of February, 2020



Andrei Iancu  
*Director of the United States Patent and Trademark Office*