



US00D723068S

(12) **United States Design Patent**
Qiu

(10) **Patent No.:** **US D723,068 S**

(45) **Date of Patent:** **** Feb. 24, 2015**

(54) **LAWN MOWER**

(71) Applicant: **Chervon (HK) Limited**, Wanchai (HK)

(72) Inventor: **Xunzhuang Qiu**, Nanjing (CN)

(73) Assignee: **Chervon (HK) Limited**, Hong Kong (HK)

(**) Term: **14 Years**

(21) Appl. No.: **29/493,041**

(22) Filed: **Jun. 5, 2014**

(30) **Foreign Application Priority Data**

Dec. 6, 2013 (CN) 2013 3 0604106

(51) **LOC (10) Cl.** **15-03**

(52) **U.S. Cl.**
USPC **D15/14**

(58) **Field of Classification Search**
USPC D15/10, 14-18; 56/12.8, 12.7, 13.4,
56/16.7, 17.5, 202, 254, 255, 294, 11.4,
56/320.1, 320.2, 249, 252, 11.9, 17.1,
56/17.4, 295; 280/43.17
See application file for complete search history.

(56) **References Cited**

U.S. PATENT DOCUMENTS

D274,250 S * 6/1984 Allen et al. D15/14
D276,047 S * 10/1984 Sasaki D15/14
D307,911 S * 5/1990 Miyawaki et al. D15/14
D317,165 S * 5/1991 Schweitz et al. D15/14
D319,447 S * 8/1991 Oshima et al. D15/14

D330,210 S * 10/1992 Sirois et al. D15/14
5,251,711 A * 10/1993 Meyer et al. 180/19.1
D381,665 S * 7/1997 Hinklin et al. D15/14
D384,083 S * 9/1997 Hinklin D15/14
5,676,117 A * 10/1997 Williams 123/527
D421,265 S * 2/2000 Ohsumi et al. D15/14
D449,840 S * 10/2001 Concari et al. D15/14
D450,064 S * 11/2001 Concari et al. D15/14
D456,030 S * 4/2002 Maeda D15/14
D461,830 S * 8/2002 Stratford et al. D15/14
D489,734 S * 5/2004 Lin D15/14
D497,918 S * 11/2004 Osborne et al. D15/14
D610,167 S * 2/2010 Martin et al. D15/14
D622,291 S * 8/2010 Martin et al. D15/14

* cited by examiner

Primary Examiner — Mark Goodwin

(74) *Attorney, Agent, or Firm* — Greenberg Traurig, LLP

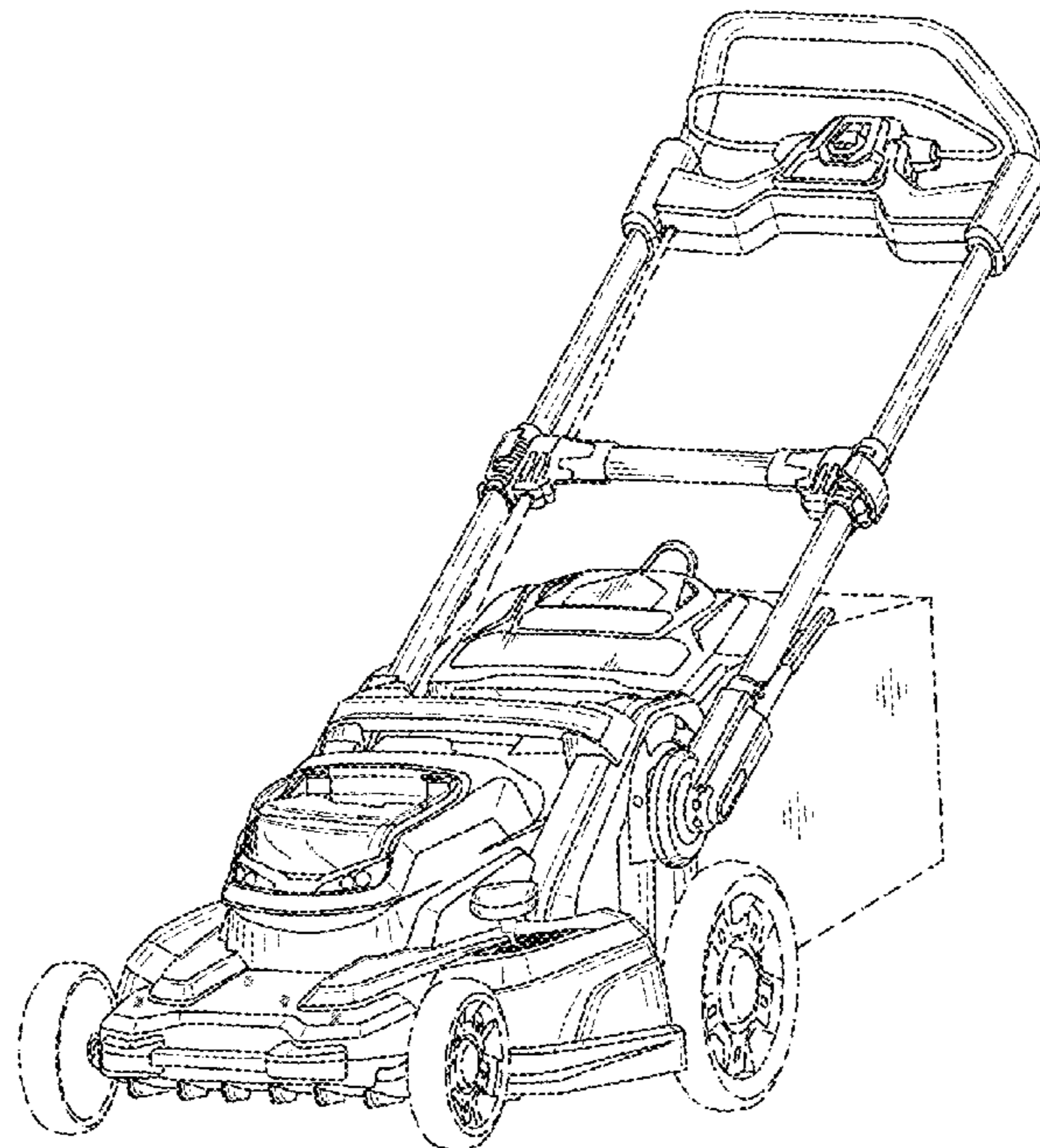
(57) **CLAIM**

What is claimed is the ornamental design for a lawn mower, as shown and described.

DESCRIPTION

FIG. 1 is a left side elevational view of a lawn mower showing my new design;
FIG. 2 is a right side elevational view thereof;
FIG. 3 is a front side elevational thereof;
FIG. 4 is a back side elevational view thereof;
FIG. 5 is a top plan view thereof; and,
FIG. 6 is a perspective view thereof.
Any elements shown in dotted and/or dashed lines are provided for illustrative purposes only and form no part of the design claimed. Any surface shading is used solely to show the character or contour of the surfaces represented.

1 Claim, 6 Drawing Sheets



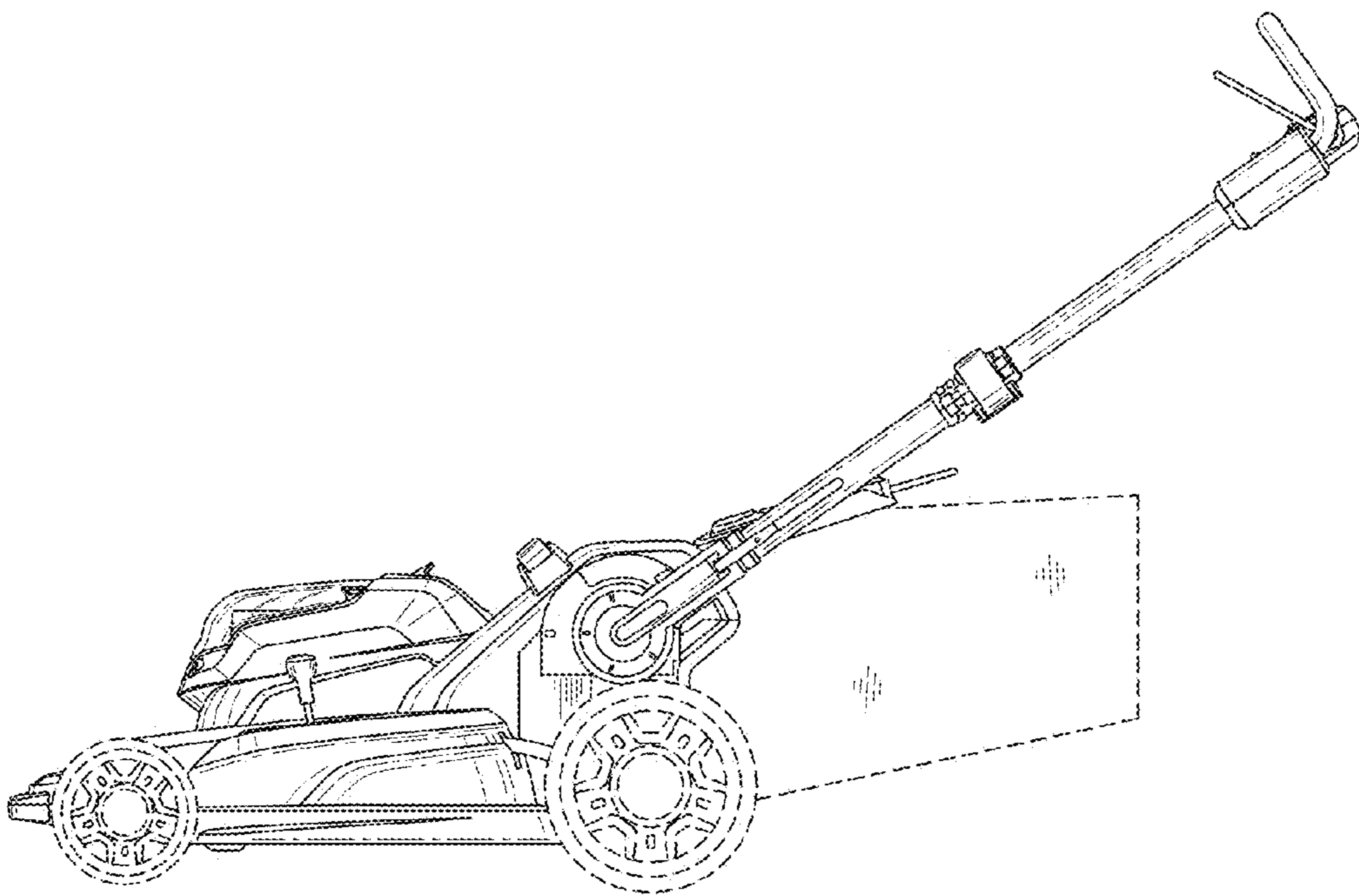


Fig. 1

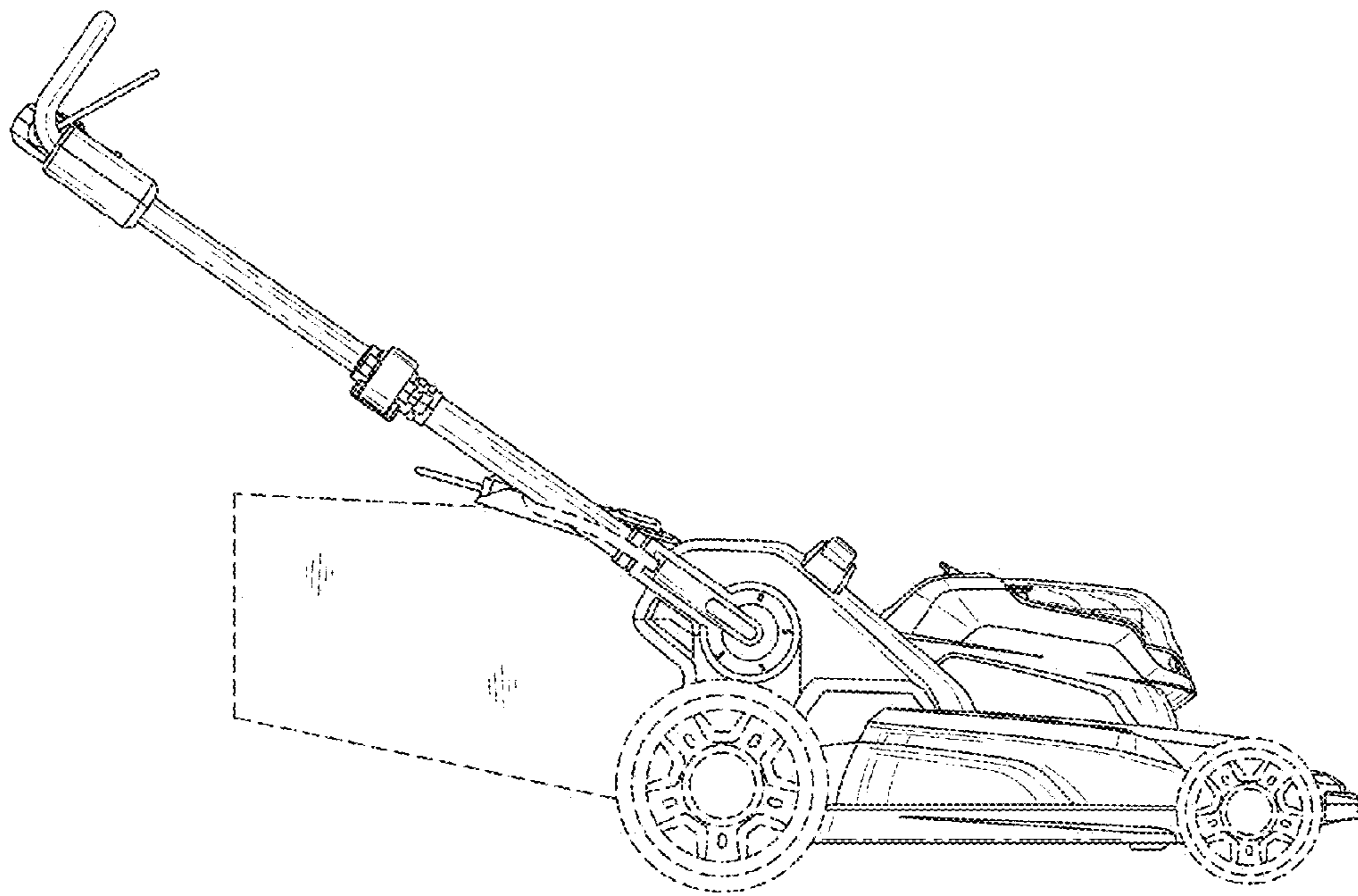


Fig. 2

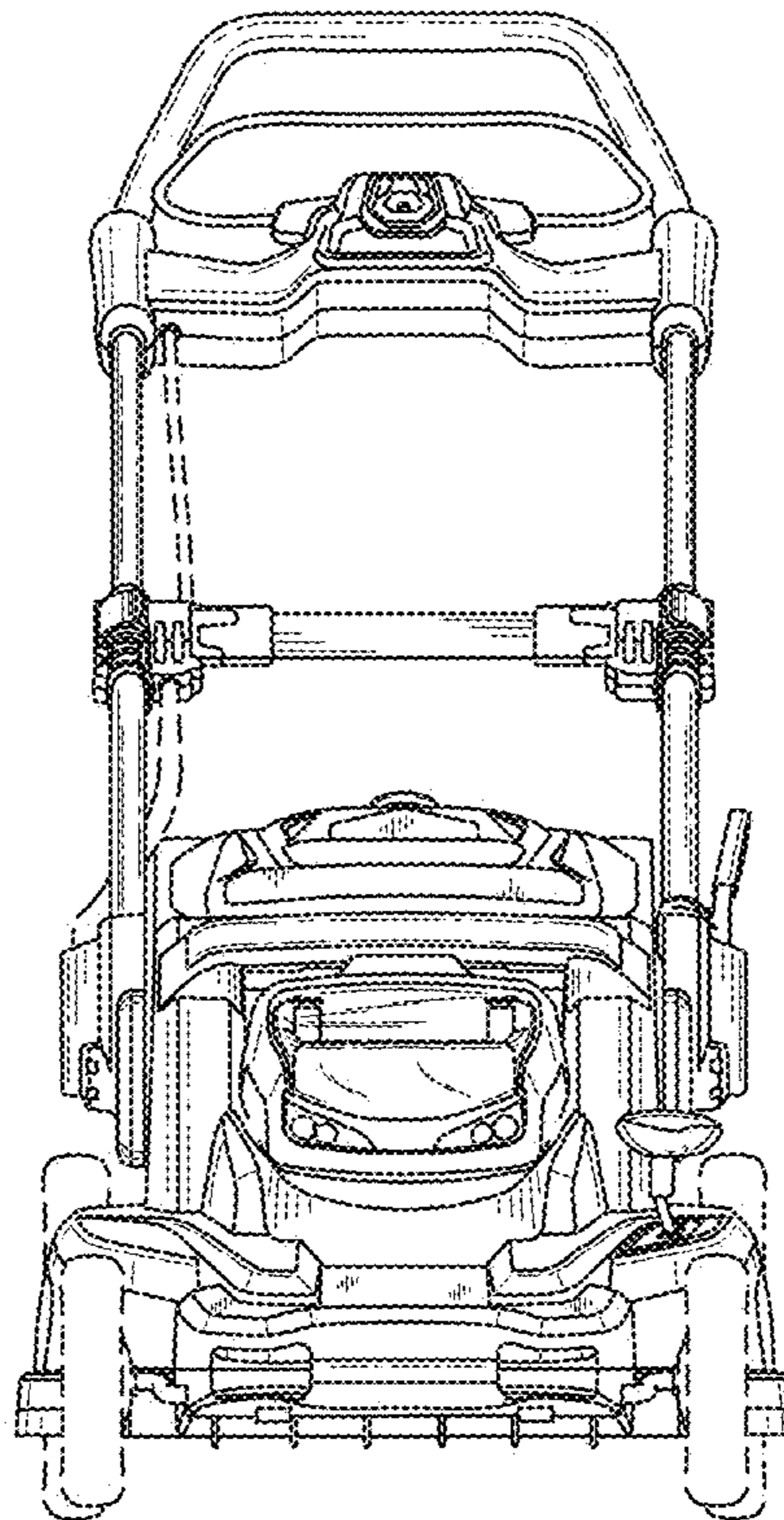


Fig. 3

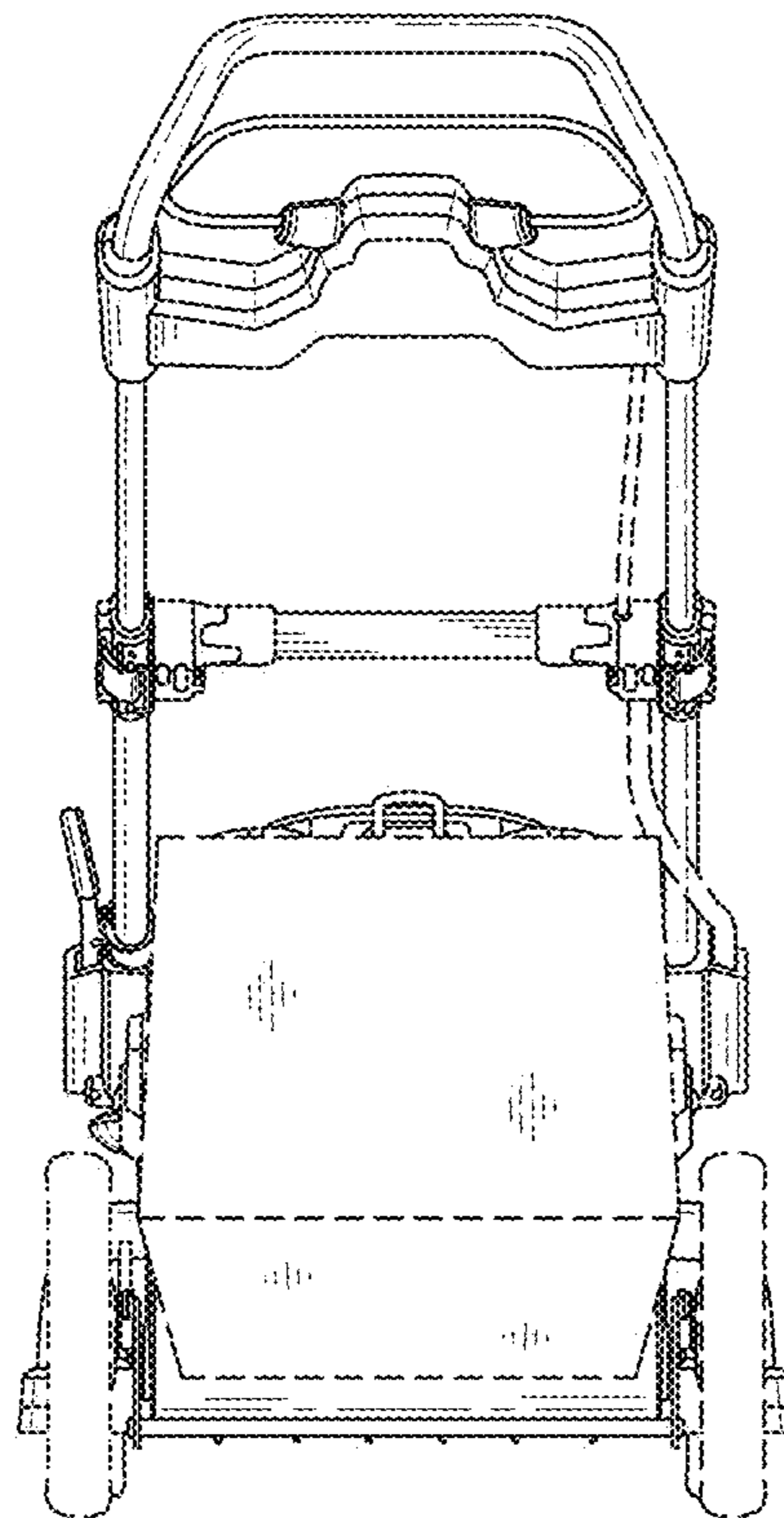


Fig. 4

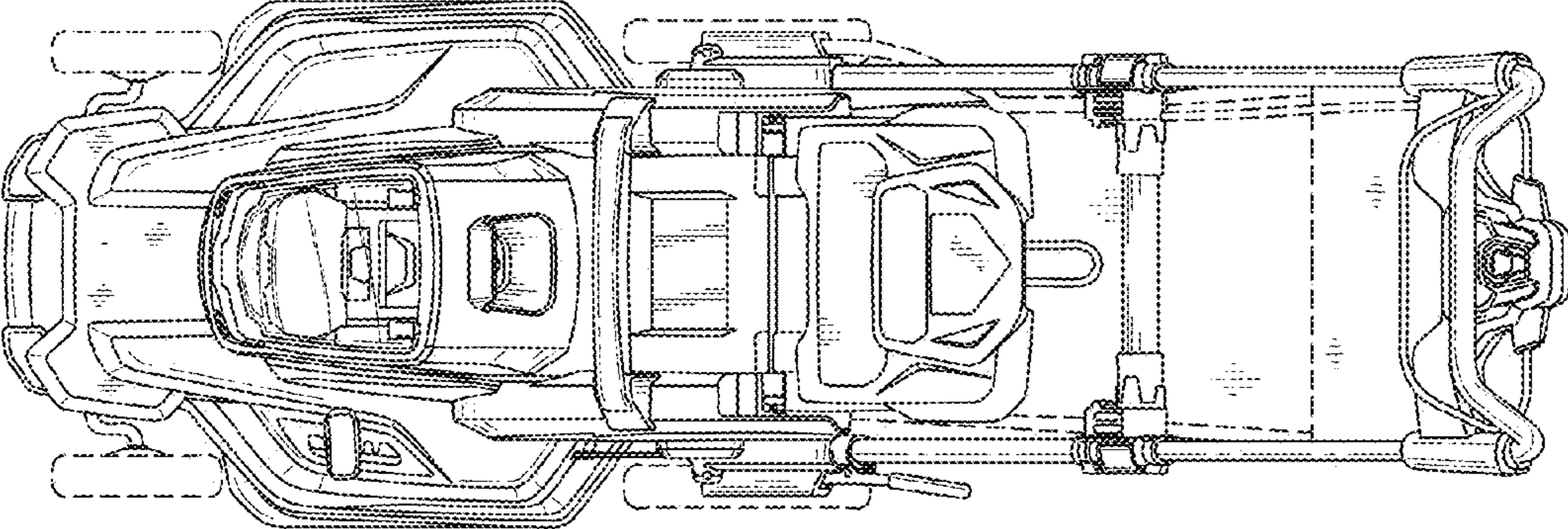


Fig. 5

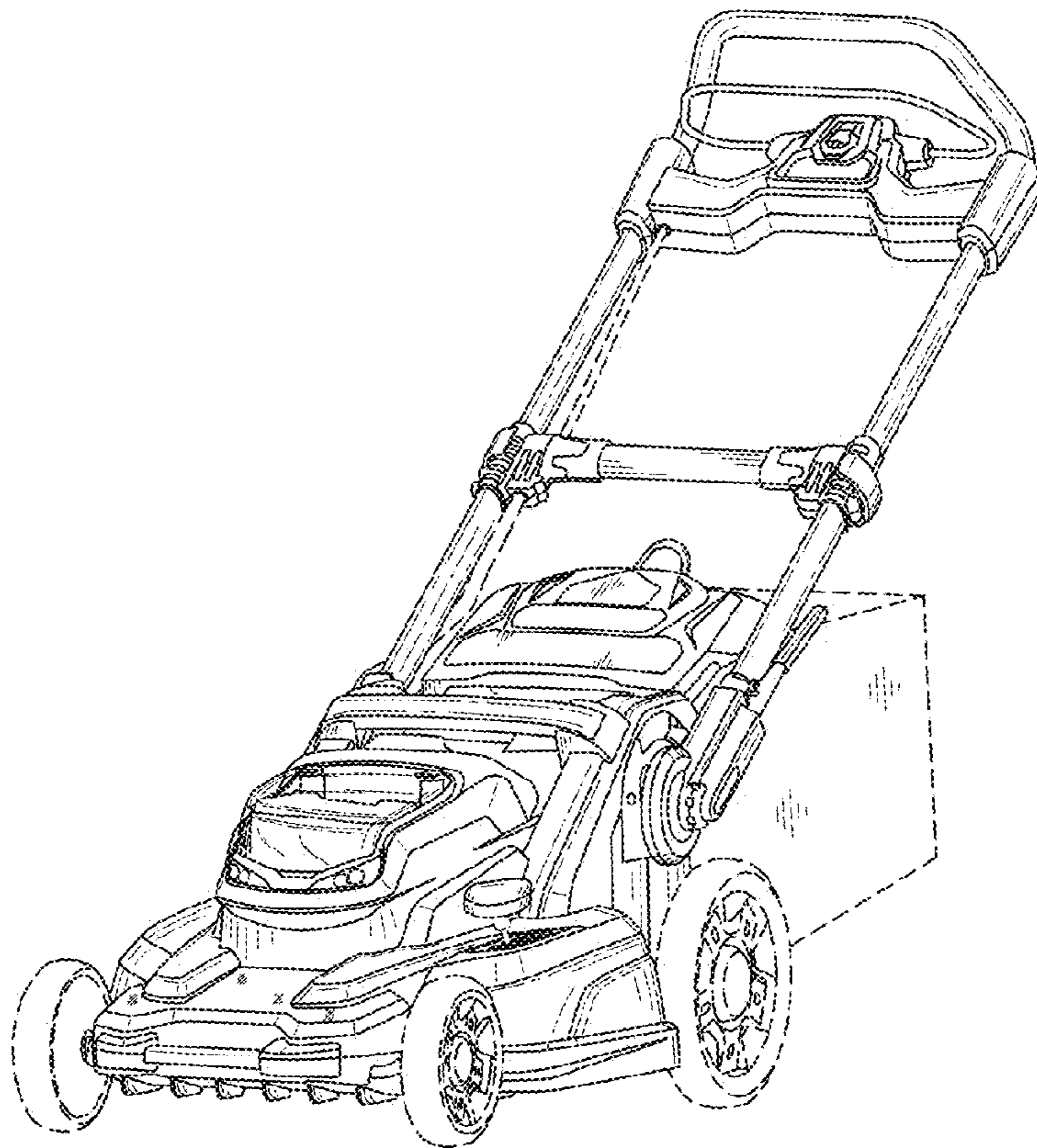


Fig. 6