



US00D723067S

(12) **United States Design Patent**  
**Lim et al.**

(10) **Patent No.:** **US D723,067 S**  
(45) **Date of Patent:** **\*\* Feb. 24, 2015**

(54) **COMPRESSOR FOR VEHICLES**  
(71) Applicant: **Halla Visteon Climate Control Corp.**,  
Daedeok-gu, Daejeon (KR)  
(72) Inventors: **Kweon Soo Lim**, Daejeon (KR); **Seung  
Yong Hwang**, Daejeon (KR)  
(73) Assignee: **Halla Visteon Climate Control Corp.**,  
Daedeok-Gu, Daejeon (KR)

D537,843 S \* 3/2007 Chu ..... D15/9  
D695,789 S \* 12/2013 Nam ..... D15/9  
D710,906 S \* 8/2014 Park et al. .... D15/9  
D710,907 S \* 8/2014 Lim et al. .... D15/9  
D710,909 S \* 8/2014 Kim et al. .... D15/9  
D715,326 S \* 10/2014 Lim et al. .... D15/9  
D715,327 S \* 10/2014 Lim et al. .... D15/9  
D715,328 S \* 10/2014 Kim et al. .... D15/9

\* cited by examiner

*Primary Examiner* — Ralf Seifert

(74) *Attorney, Agent, or Firm* — Dickinson Wright PLLC

(\*\*) Term: **14 Years**

(21) Appl. No.: **29/483,420**

(22) Filed: **Feb. 28, 2014**

(51) **LOC (10) Cl.** ..... **15-02**

(52) **U.S. Cl.**  
USPC ..... **D15/9**

(58) **Field of Classification Search**  
CPC ..... F01D 5/14; F01D 5/12; F01D 5/04;  
F02B 33/40; F04D 29/42  
USPC ..... D15/7-9; D23/231, 232, 225; 417/60,  
417/235, 265, 321, 355, 358, 363, 359,  
417/410.1, 415-416, 405, 900, 231, 313,  
417/273, 539; 60/408, 412; 184/26-37;  
415/140-147; 123/495, 509; 418/259  
See application file for complete search history.

(56) **References Cited**

**U.S. PATENT DOCUMENTS**

D440,232 S \* 4/2001 Kou ..... D15/9  
D441,378 S \* 5/2001 Kou ..... D15/9

(57) **CLAIM**

We claim the ornamental design for a compressor for vehicles, as shown herein.

**DESCRIPTION**

FIG. 1 is a perspective view of a compressor according to the present design;  
FIG. 2 is a front view of the compressor according to the present design;  
FIG. 3 is a rear view of the compressor according to the present design;  
FIG. 4 is a left side view of the compressor according to the present design;  
FIG. 5 is a right side view of the compressor according to the present design;  
FIG. 6 is a plan view of the compressor according to the present design; and,  
FIG. 7 is a bottom view of the compressor according to the present design.

**1 Claim, 7 Drawing Sheets**

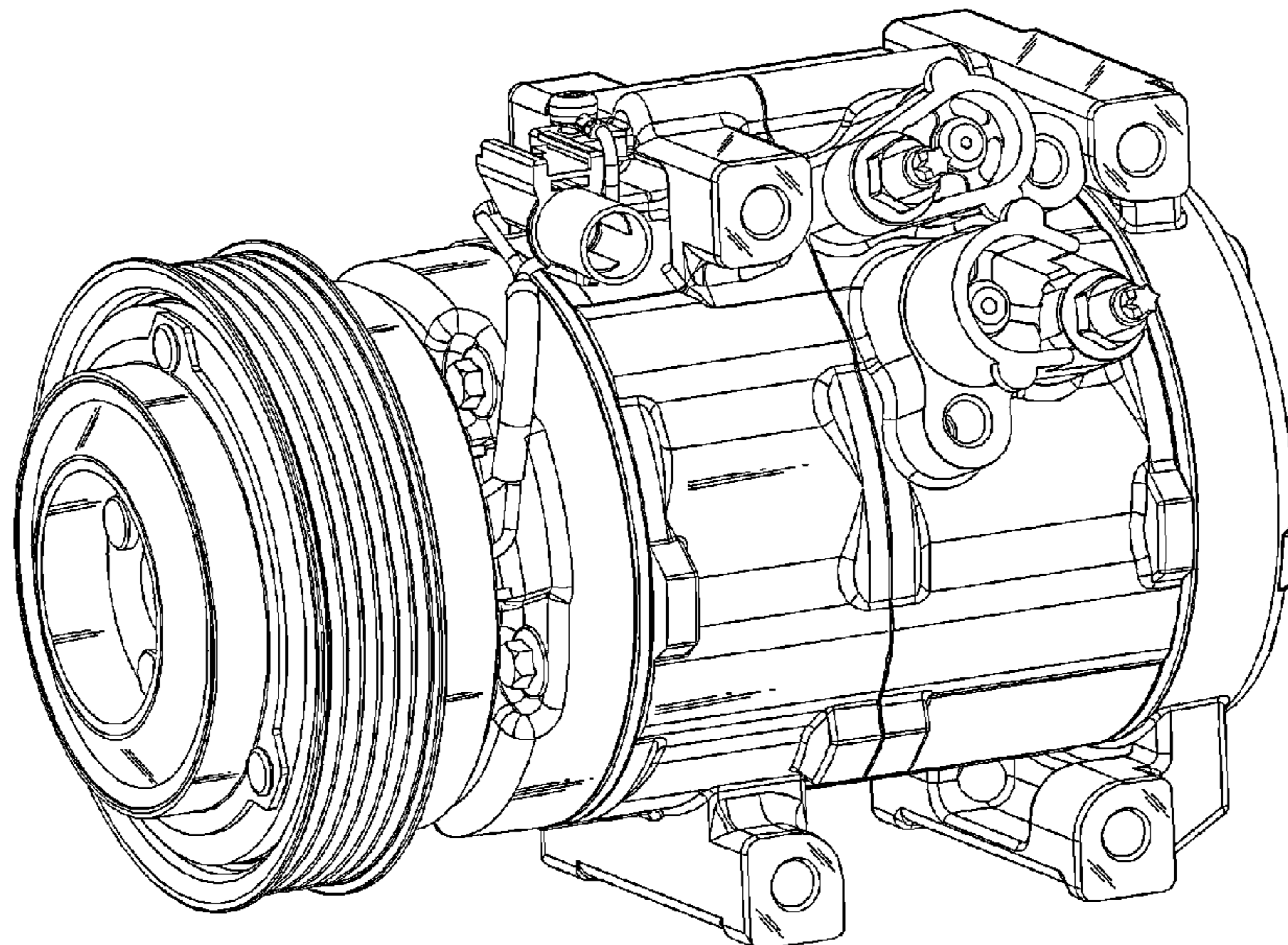


Fig. 1

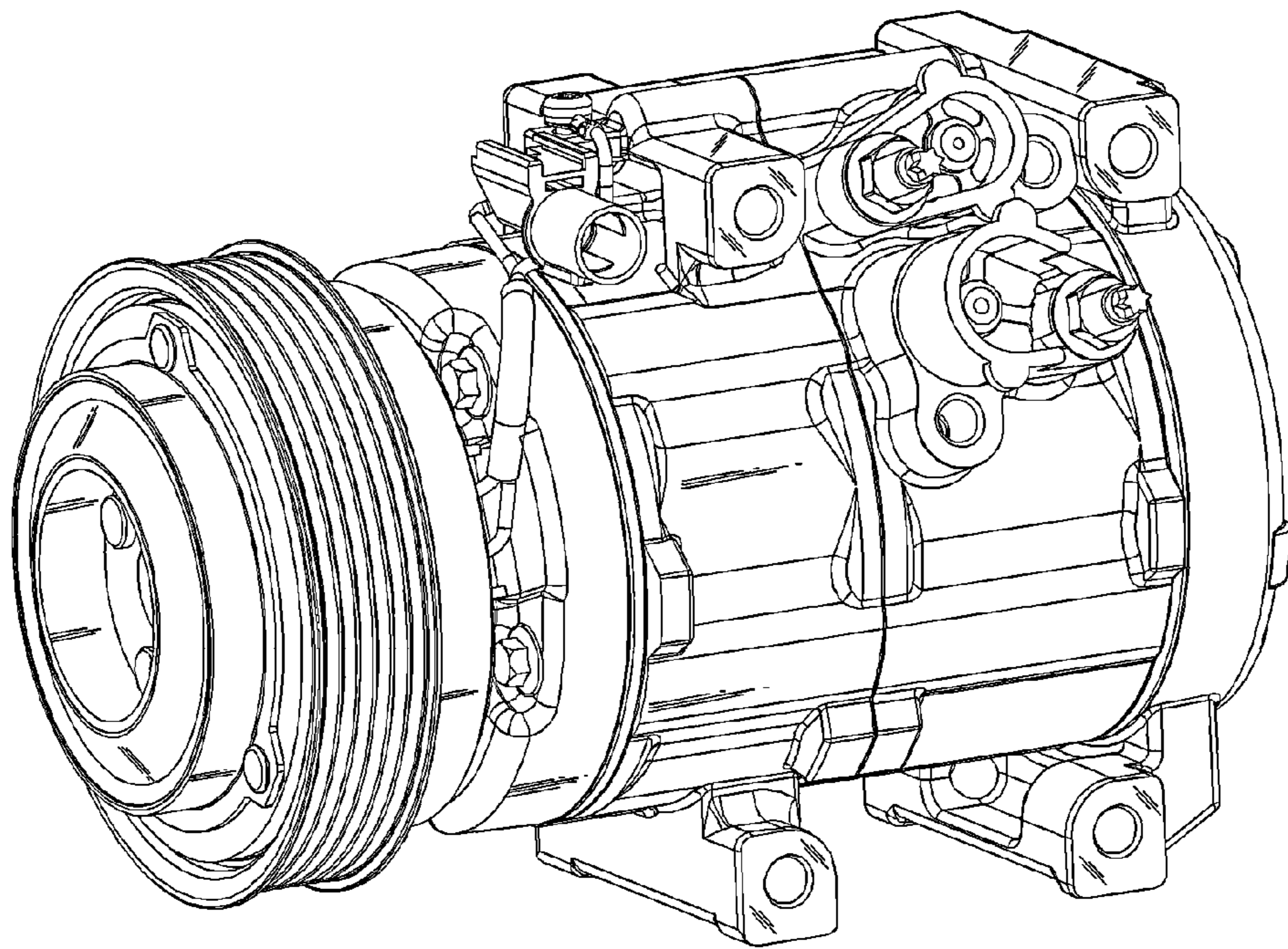


Fig. 2

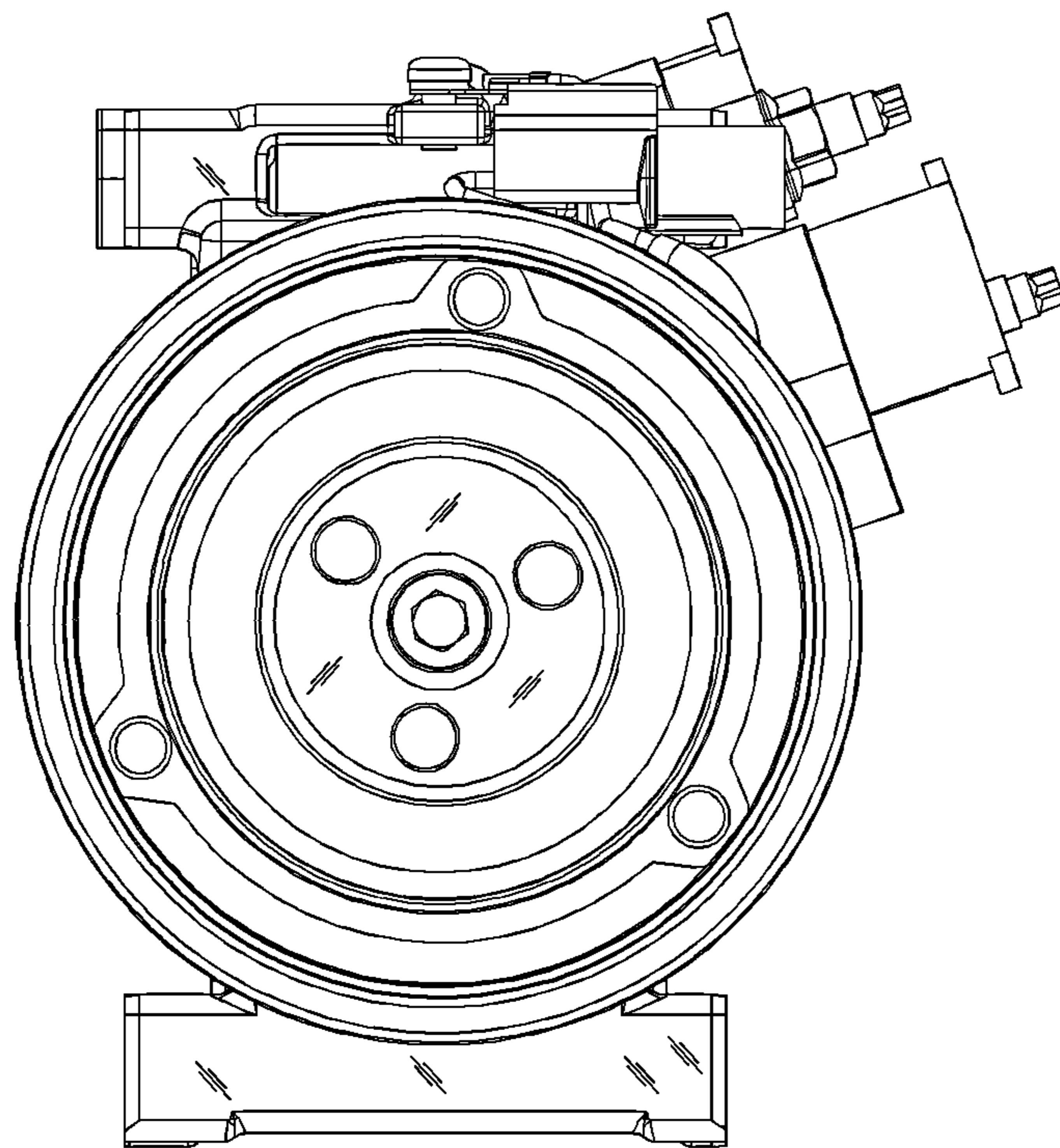


Fig. 3

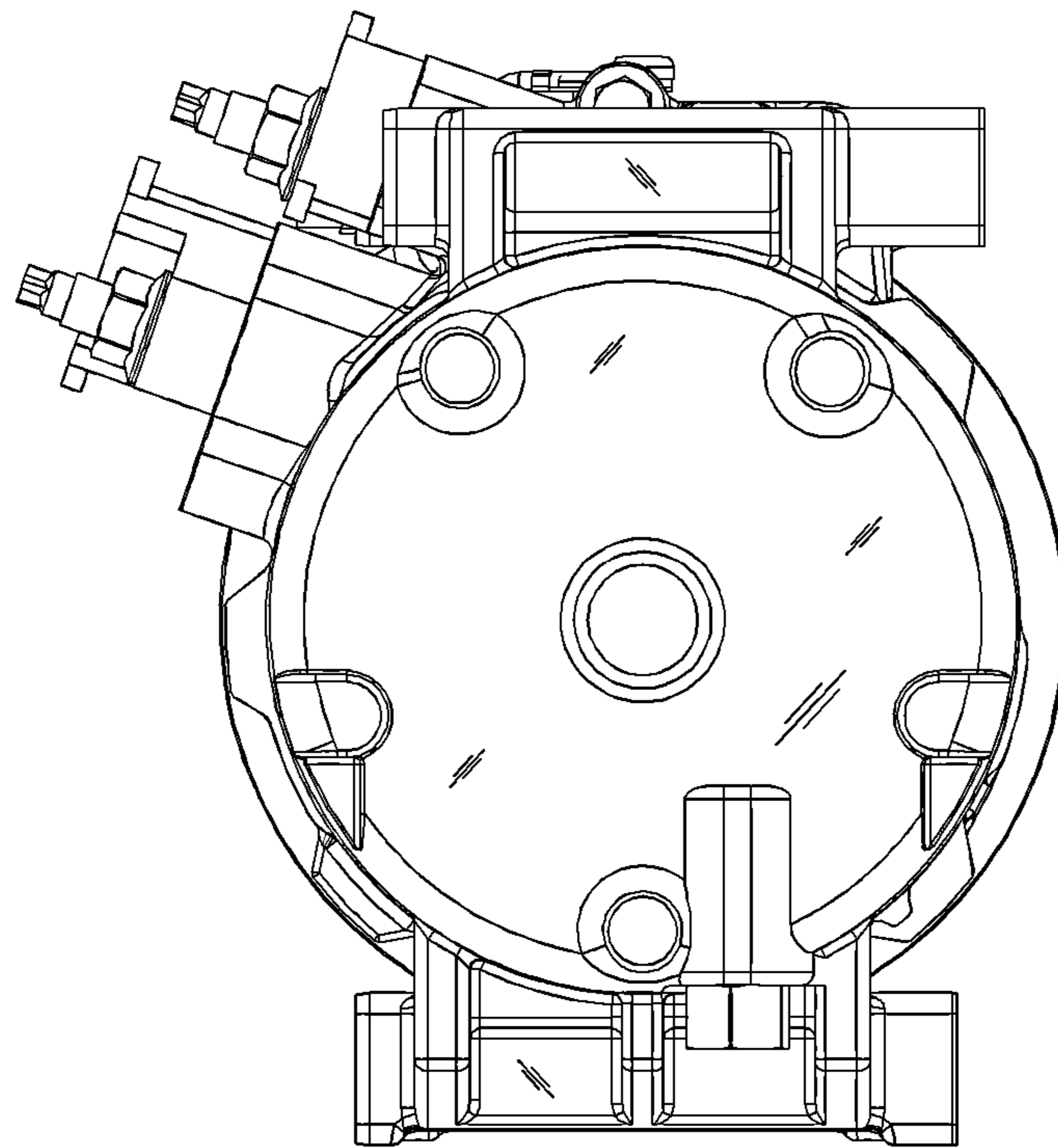


Fig. 4

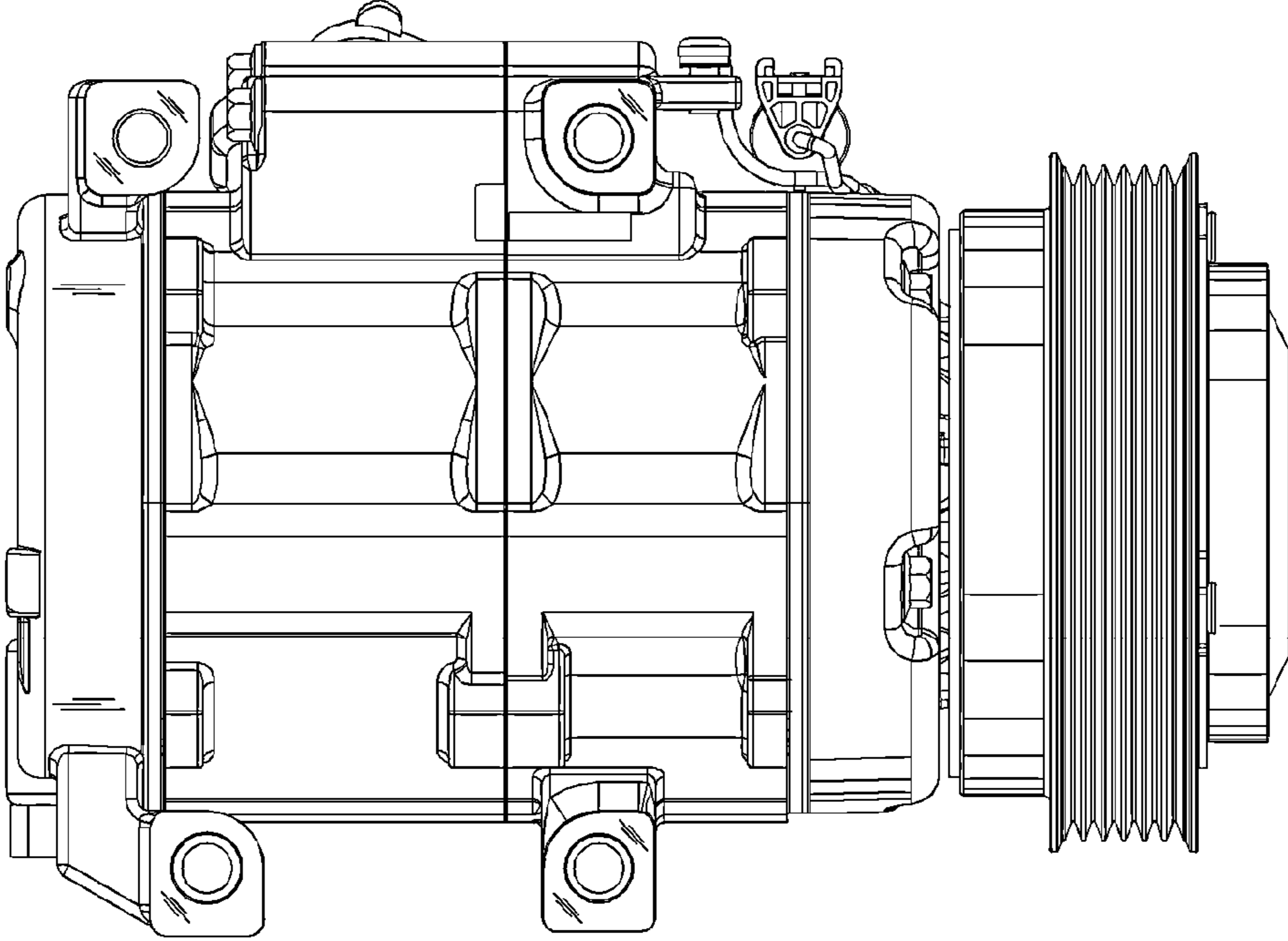


Fig. 5

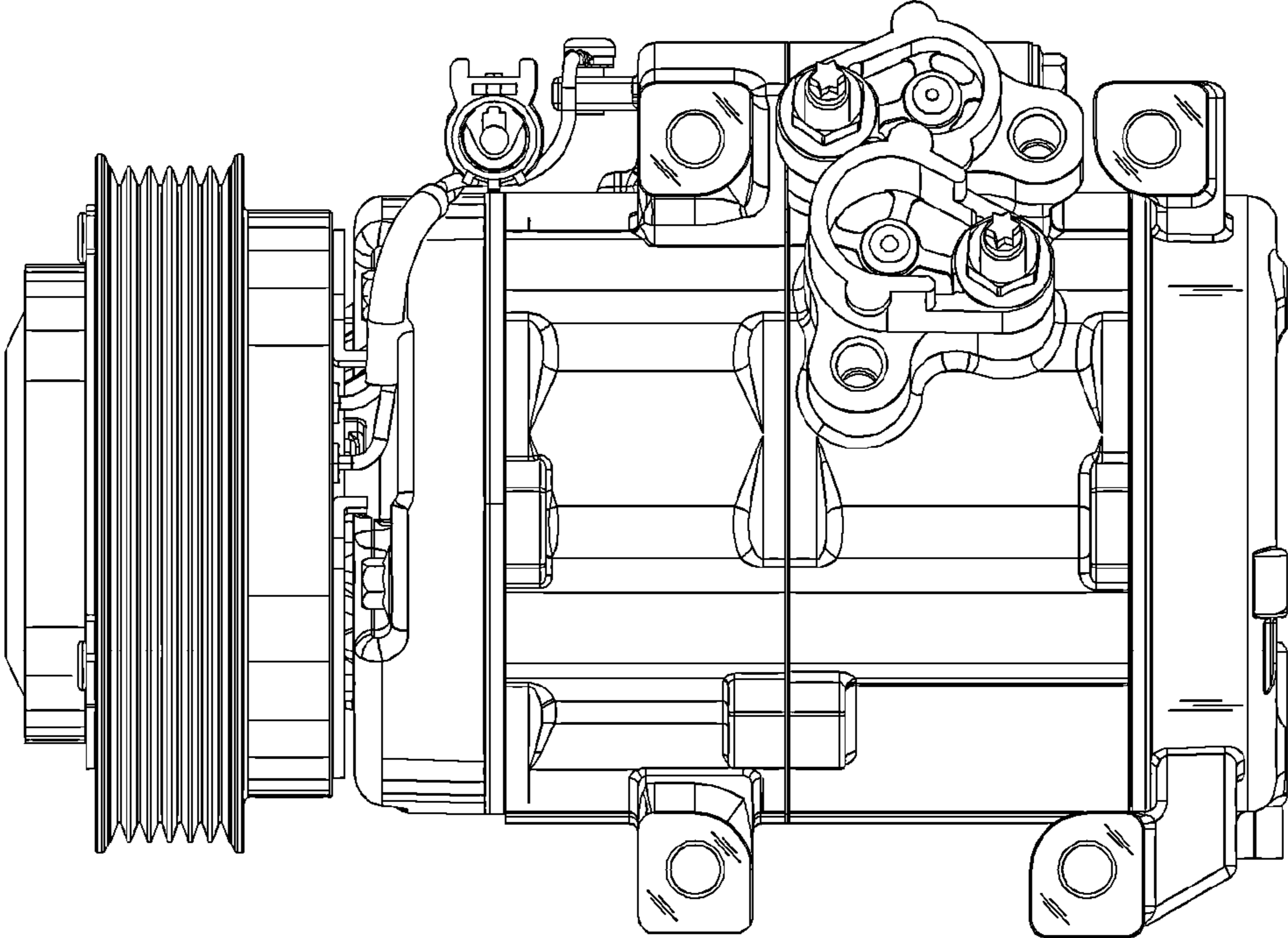


Fig. 6

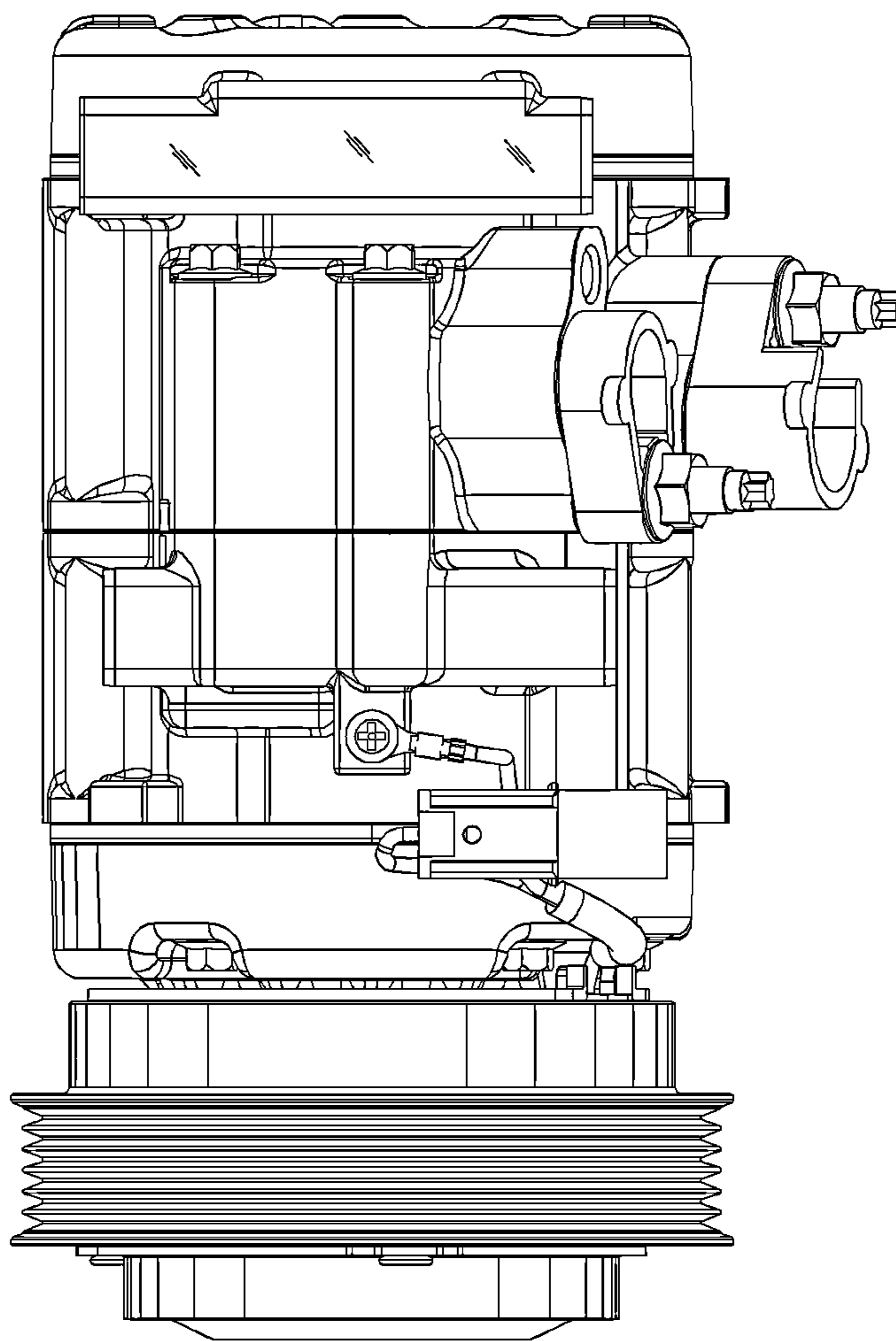


Fig. 7

