



US00D723066S

(12) **United States Design Patent**
Galloway et al.

(10) **Patent No.:** **US D723,066 S**

(45) **Date of Patent:** **** Feb. 24, 2015**

(54) **PORTABLE COMPRESSED GAS POWER ASSEMBLY**

(71) Applicant: **D2BG LLC**, Fort Worth, TX (US)

(72) Inventors: **Daniel Galloway**, Keller, TX (US);
Darrell Bevelhymer, Arlington, TX (US)

(73) Assignee: **D2BG, LLC**, Fort Worth, TX (US)

(**) Term: **14 Years**

(21) Appl. No.: **29/450,951**

(22) Filed: **Mar. 26, 2013**

Related U.S. Application Data

(62) Division of application No. 29/432,709, filed on Sep. 19, 2012, now Pat. No. Des. 683,368, which is a division of application No. 29/375,851, filed on Sep. 28, 2010, now Pat. No. Des. 670,314.

(51) **LOC (10) Cl.** **15-02**

(52) **U.S. Cl.**
USPC **D15/9**

(58) **Field of Classification Search**
USPC D15/7-9; D23/231, 232, 225;
417/410.1, 359, 415-416, 234, 321,
417/265, 405; 60/645, 651
See application file for complete search history.

(56) **References Cited**

U.S. PATENT DOCUMENTS

D60,090	S	*	12/1921	Forrest	D15/9
D107,465	S	*	12/1937	Tucker	D15/7
2,384,174	A	*	9/1945	Jones	222/3
D156,075	S	*	11/1949	Collier	D15/7
D185,000	S	*	4/1959	Hoover	D15/9
D223,475	S	*	4/1972	Elson et al.	D23/205
D258,436	S	*	3/1981	McGilberry	D15/7
4,854,822	A	*	8/1989	Darroch	417/62
D321,352	S	*	11/1991	Vann	D15/7
5,139,278	A	*	8/1992	Vlasicak	280/47.26
D332,613	S	*	1/1993	Keller	D15/9

D398,614	S	*	9/1998	Kartinen	D15/7
D405,805	S	*	2/1999	Rock	D15/7
D423,518	S	*	4/2000	Milligan et al.	D15/9
D446,792	S	*	8/2001	Matthew et al.	D15/9
D447,151	S	*	8/2001	Matthew et al.	D15/9
D488,169	S	*	4/2004	Hopper	D15/9
D559,865	S	*	1/2008	Wise	D15/7
7,415,988	B2	*	8/2008	Trettin et al.	137/355.16
D670,314	S	*	11/2012	Galloway et al.	D15/9
D681,680	S	*	5/2013	Galloway et al.	D15/9
D683,368	S	*	5/2013	Galloway et al.	D15/9

* cited by examiner

Primary Examiner — Ralf Seifert

(74) *Attorney, Agent, or Firm* — Fulbright & Jaworski LLP

(57) **CLAIM**

The ornamental design for a portable compressed gas power assembly, as shown and described.

DESCRIPTION

The present application is related to previously filed co-pending, commonly assigned, patent application Ser. No. 29/432,719 entitled "Design for a Portable Compressed Gas Power Assembly," filed Sep. 19, 2012, the disclosure of which is hereby incorporated by reference. The present application is related to patent application Ser. No. 29/450,941 entitled "Design for a Portable Compressed Gas Power Assembly," filed Mar. 26, 2013 and patent application Ser. No. 29,450,947 entitled "Design for a Portable Compressed Gas Power Assembly," filed Mar. 26, 2013, the disclosures of which are hereby incorporated herein by reference.

FIG. 1 is a front side elevation view of a portable compressed gas power assembly showing our new design.

FIG. 2 is a back side elevation view;

FIG. 3 is a left side elevation view;

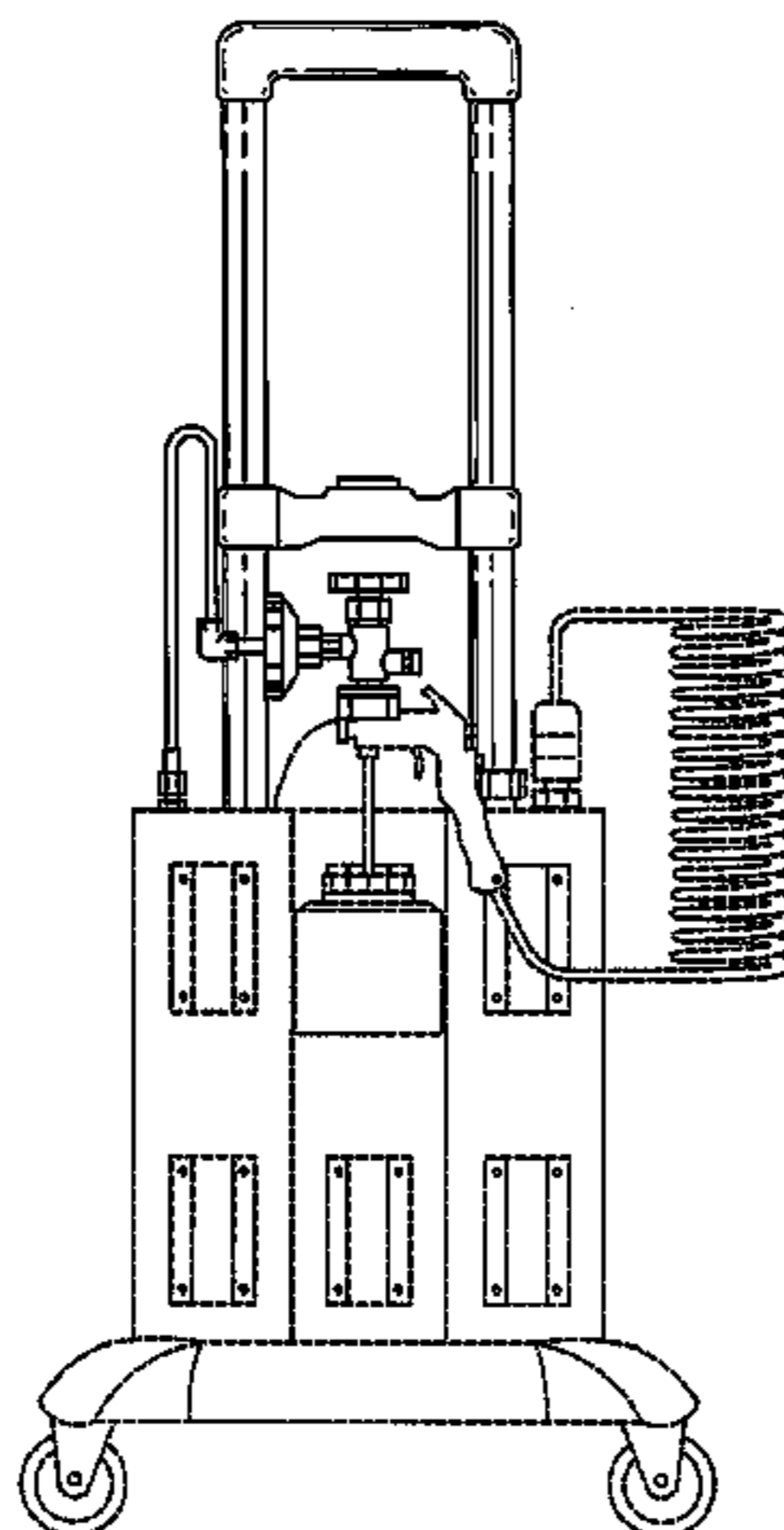
FIG. 4 is a right side elevation view;

FIG. 5 is a top side elevation view; and,

FIG. 6 is a bottom side elevation view.

The broken line showing of the compressed gas storage tank, the carrier mechanism, and various other elements are for environmental purposes only and form no part of the claimed design.

1 Claim, 5 Drawing Sheets



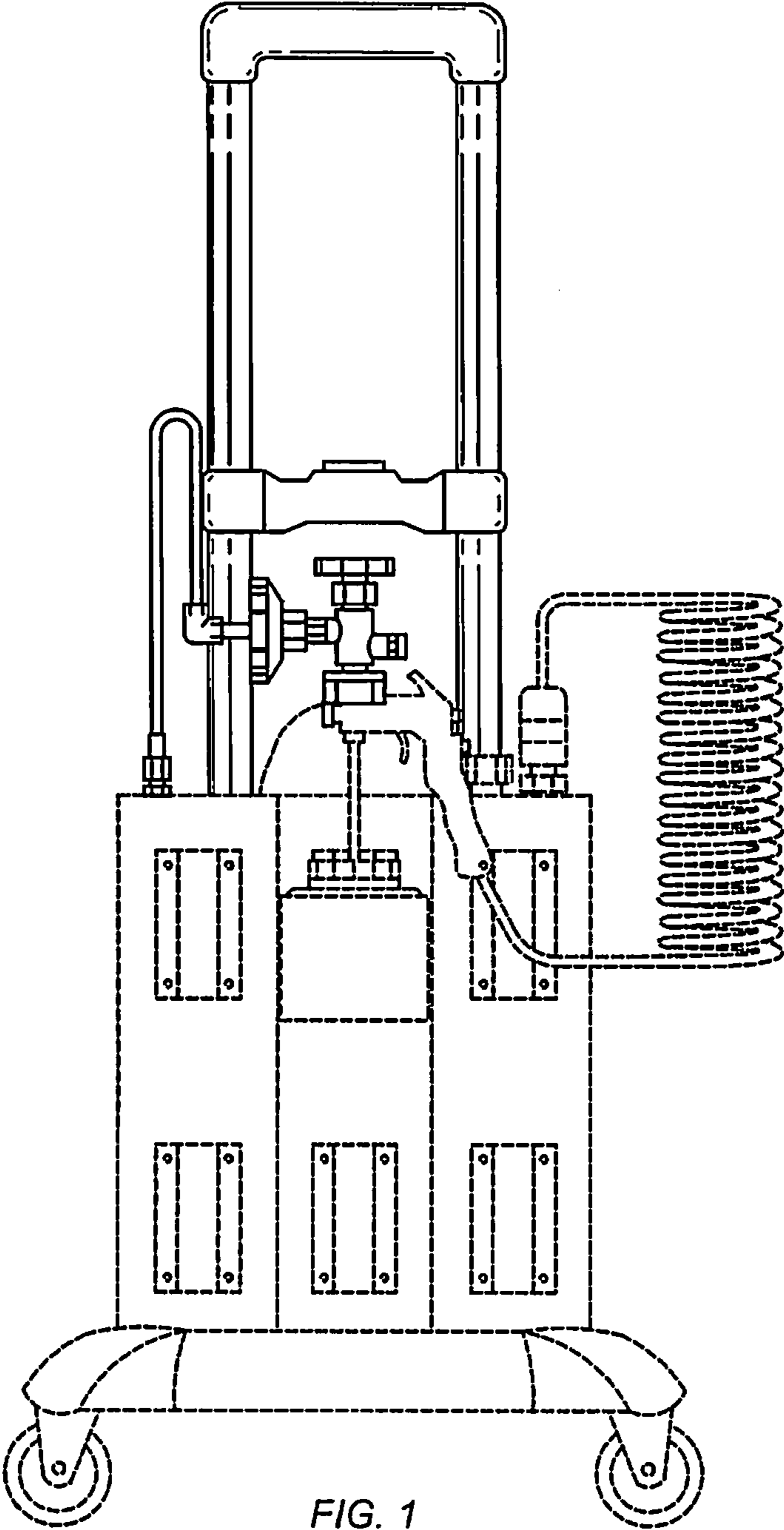


FIG. 1

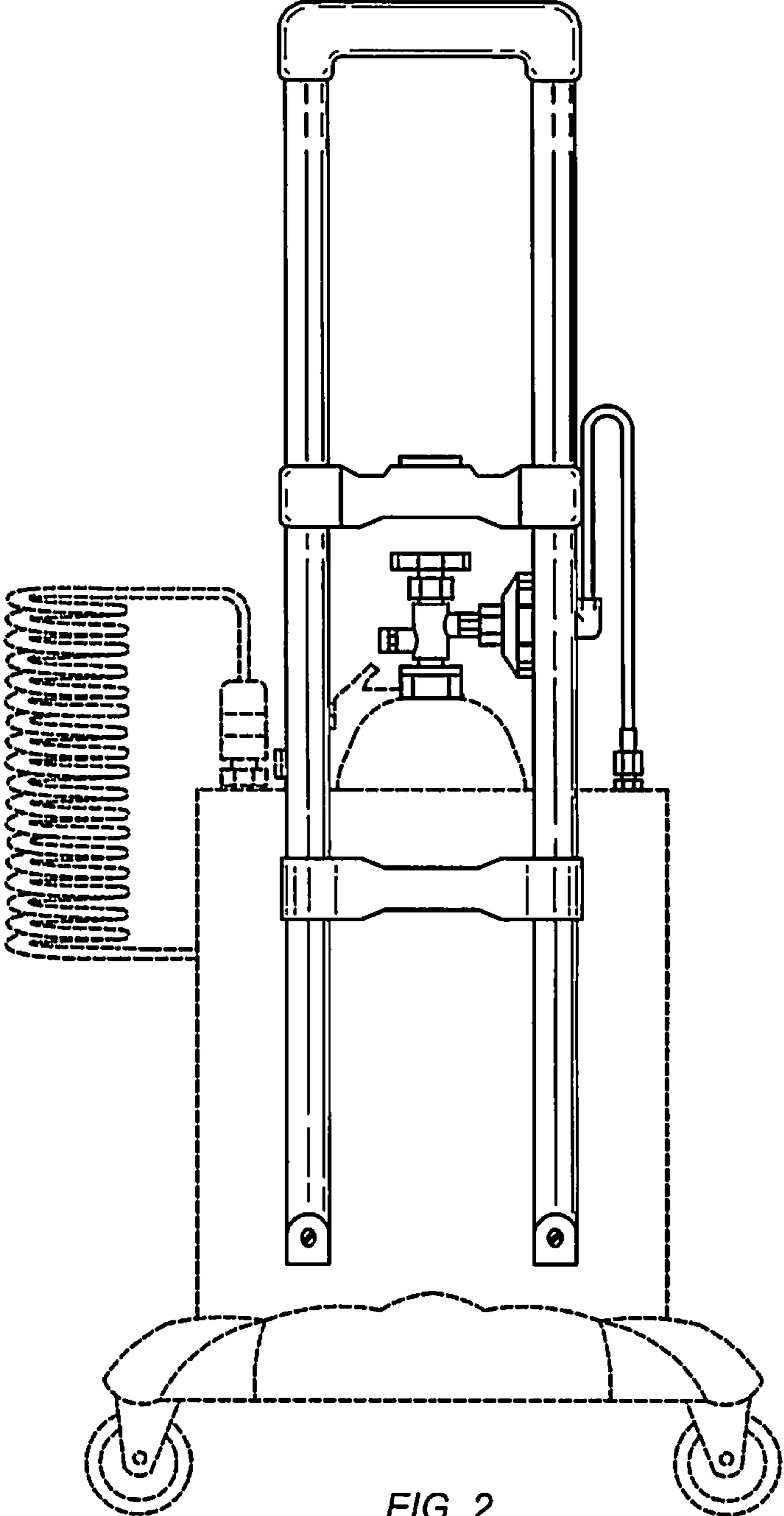
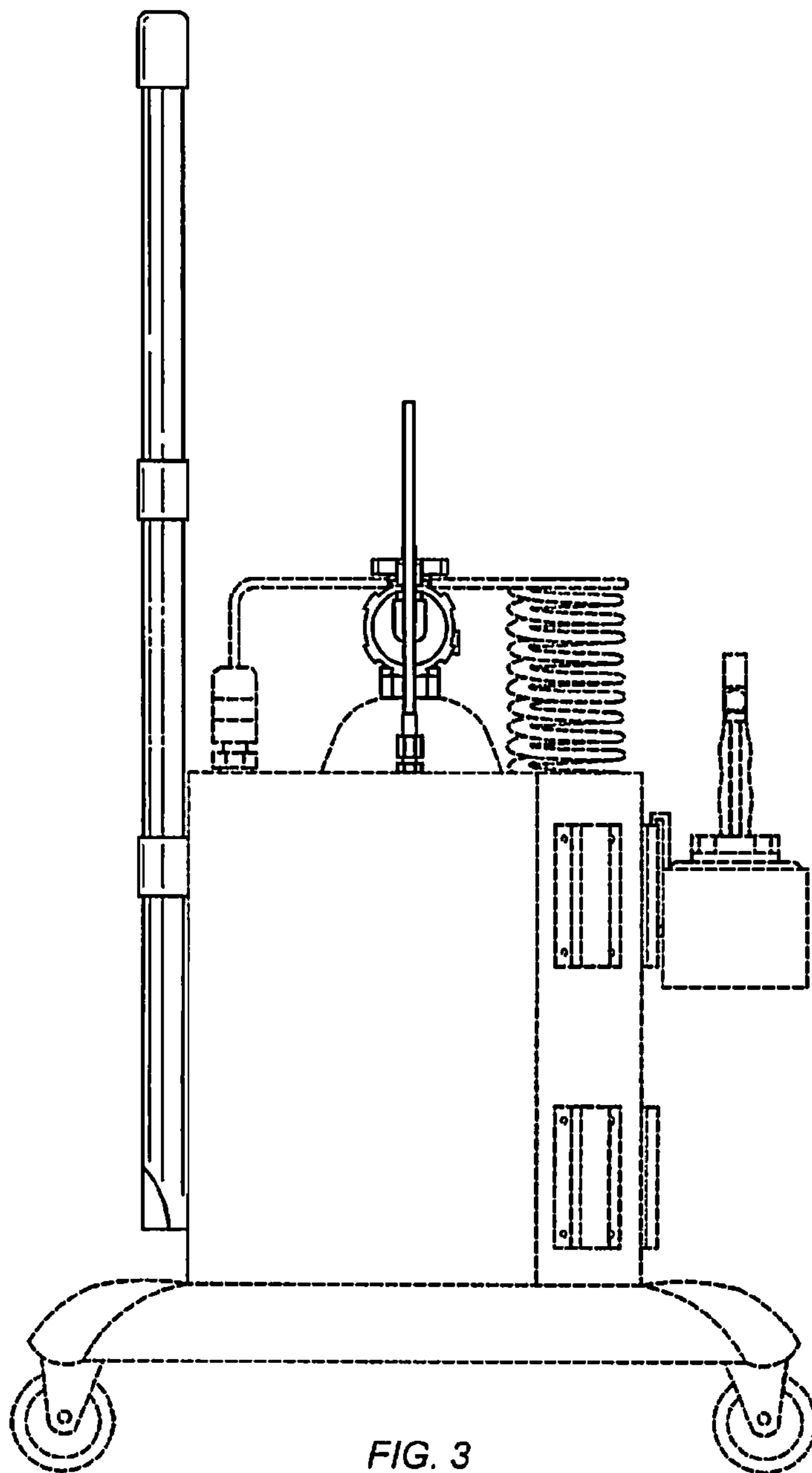


FIG. 2



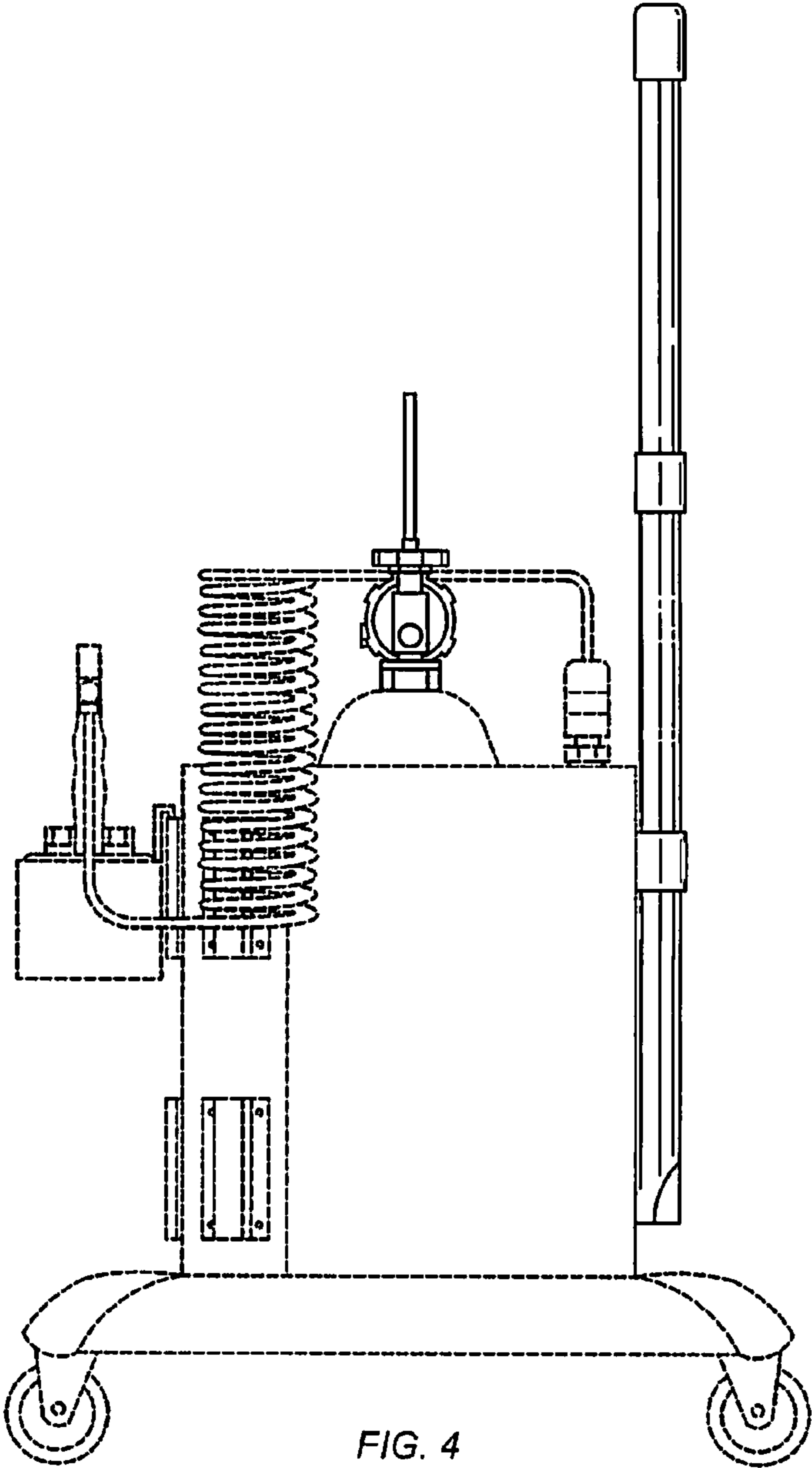


FIG. 4

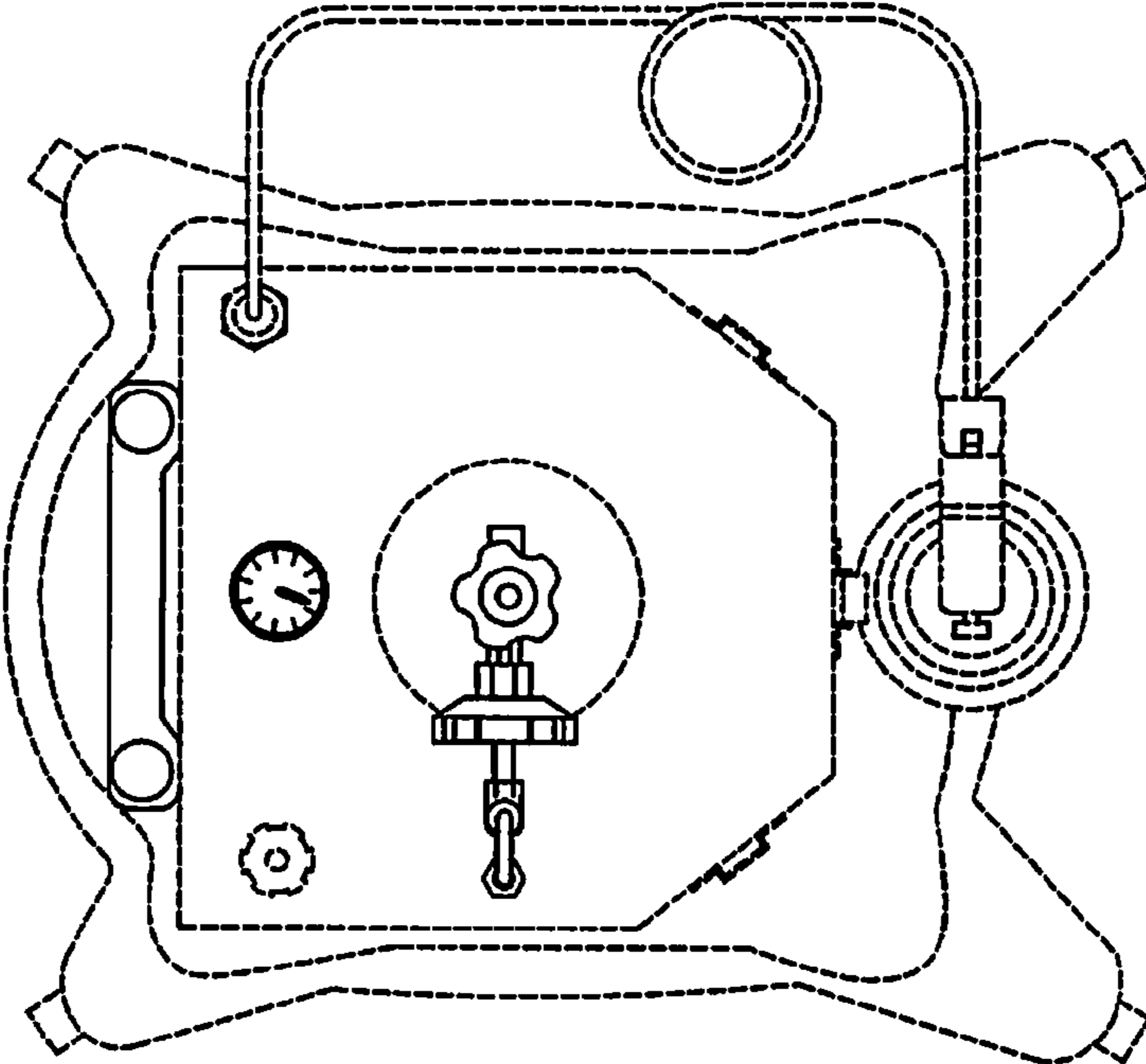


FIG. 5

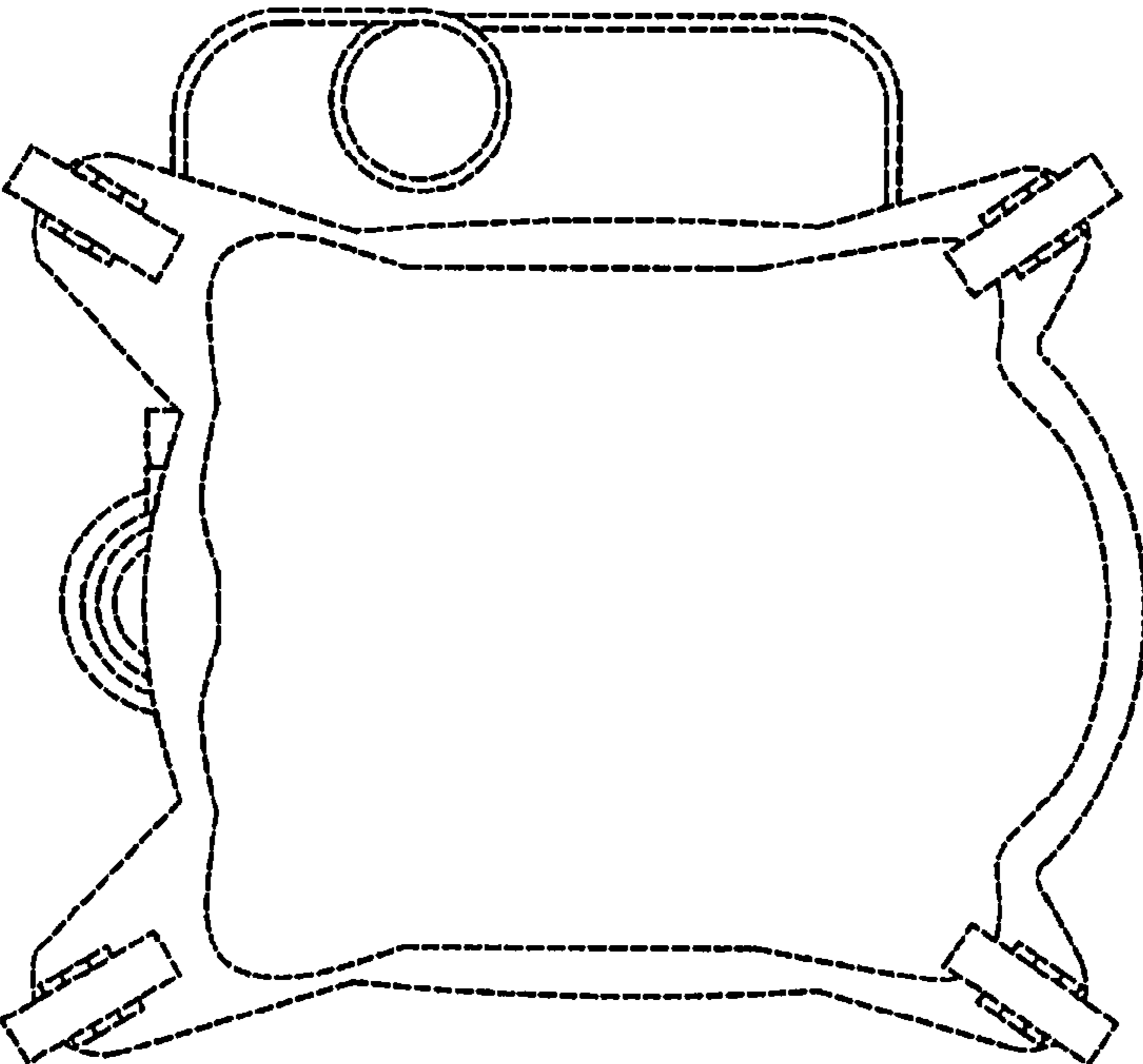


FIG. 6