



US00D723064S

(12) **United States Design Patent**  
**Eisele**

(10) **Patent No.:** **US D723,064 S**  
(45) **Date of Patent:** **\*\* Feb. 24, 2015**

(54) **VACUUM PUMP**

(71) Applicant: **J. Schmalz GmbH**, Glatten (DE)

(72) Inventor: **Thomas Eisele**, Alpirsbach-Peterzell (DE)

(73) Assignee: **J. Schmalz GmbH**, Glatten (DE)

(\*\*) Term: **14 Years**

(21) Appl. No.: **29/472,518**

(22) Filed: **Nov. 13, 2013**

(30) **Foreign Application Priority Data**

Jul. 24, 2013 (EM) ..... 002280123

(51) **LOC (10) Cl.** ..... **15-02**

(52) **U.S. Cl.**  
USPC ..... **D15/7**

(58) **Field of Classification Search**  
USPC ..... D15/7-9; D23/231, 232, 225, 233;  
417/60, 235, 265, 321, 355, 358, 363,  
417/359, 410.1, 415-416, 405, 900;  
60/408, 412; 184/26-37; 415/140-147;  
123/495, 509; D24/111

See application file for complete search history.

(56) **References Cited**

**U.S. PATENT DOCUMENTS**

D271,587 S \* 11/1983 Ise ..... D15/7  
D295,048 S \* 4/1988 Kanno ..... D15/7

D295,049 S \* 4/1988 Kanno ..... D15/7  
D295,050 S \* 4/1988 Kanno ..... D15/7  
D295,180 S \* 4/1988 Kanno ..... D15/7  
D303,393 S \* 9/1989 Stoll ..... D15/7  
D388,439 S \* 12/1997 Cantley et al. .... D15/7  
D416,309 S \* 11/1999 Hayashi et al. .... D23/233  
D417,457 S \* 12/1999 Asahara ..... D15/7  
D623,270 S \* 9/2010 Fukano et al. .... D23/233  
8,388,324 B2 \* 3/2013 Knobel ..... 417/515  
D683,767 S \* 6/2013 Yoshimura et al. .... D15/5  
D692,098 S \* 10/2013 Fukano et al. .... D23/233

\* cited by examiner

*Primary Examiner* — Ralf Seifert

(74) *Attorney, Agent, or Firm* — Henry M. Feiereisen LLC;  
Ursula B. Day

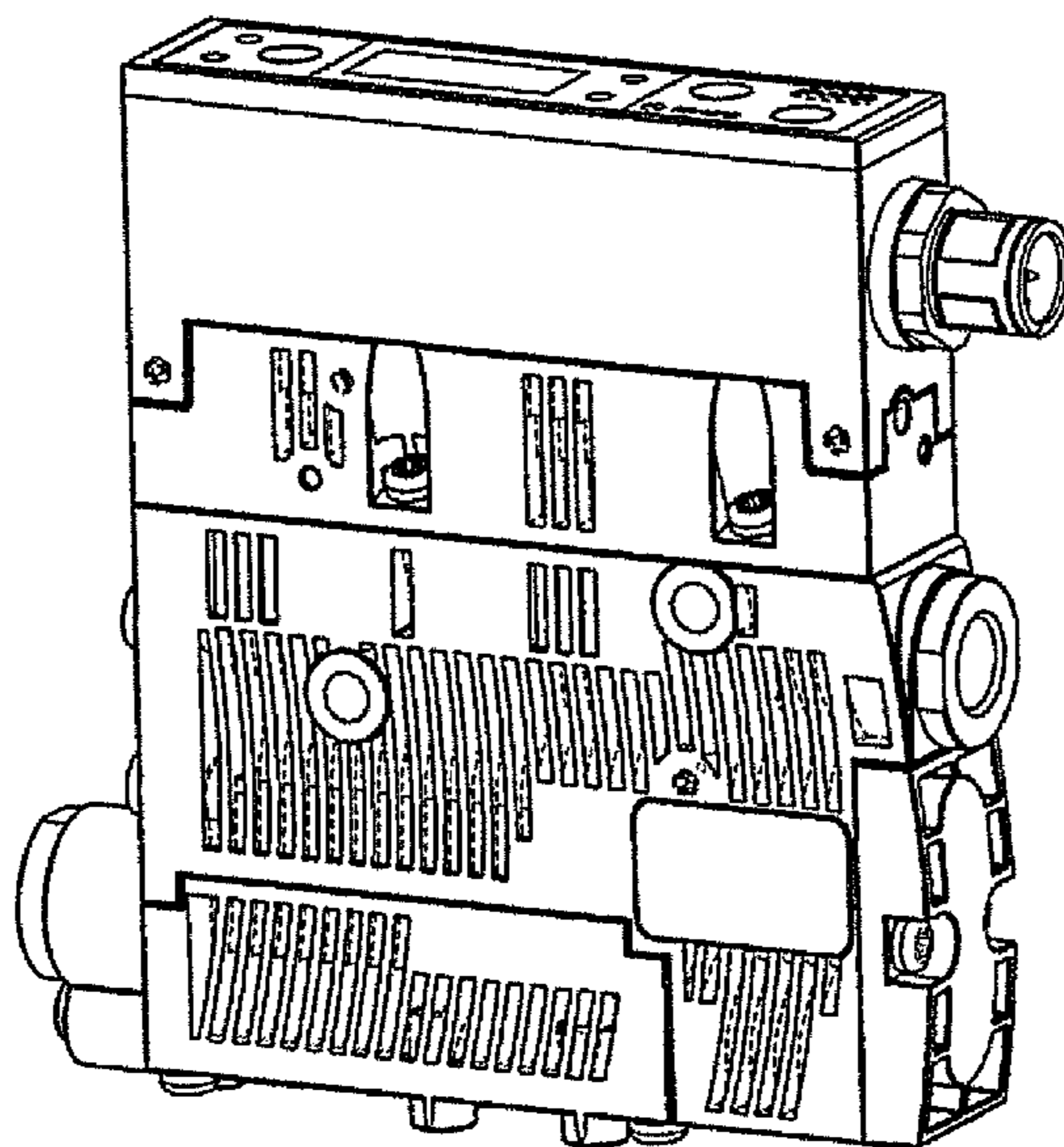
(57) **CLAIM**

The ornamental design for a vacuum pump, as shown and described.

**DESCRIPTION**

FIG. 1 is a front elevational view of a vacuum pump showing my new design;  
FIG. 2 is rear elevational view thereof;  
FIG. 3 is a top plan view thereof;  
FIG. 4 is a bottom plan view thereof;  
FIG. 5 is a right side elevational view thereof;  
FIG. 6 is a left side elevational view thereof; and,  
FIG. 7 is a front right side perspective view thereof.  
The broken lines in FIGS. 1 and 6 are included for the purpose of illustrating portions of the vacuum pump that form no part of the claimed design.

**1 Claim, 7 Drawing Sheets**





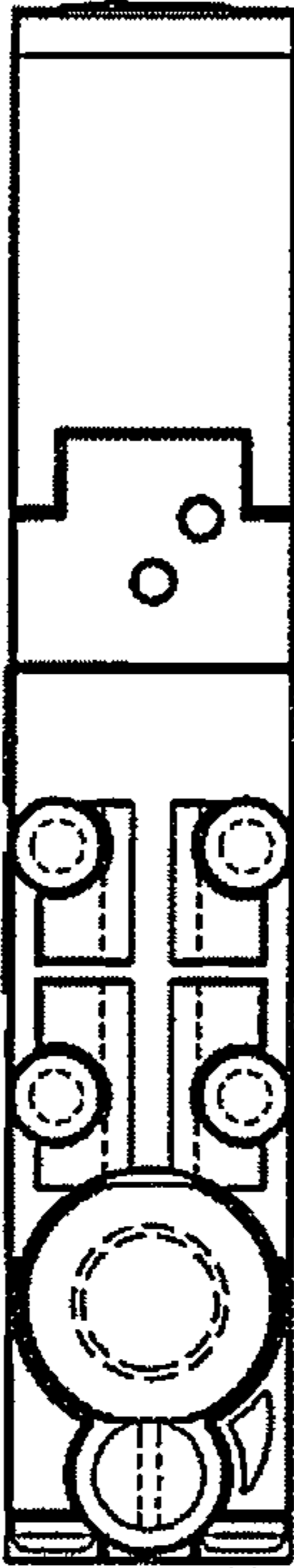


Fig. 2

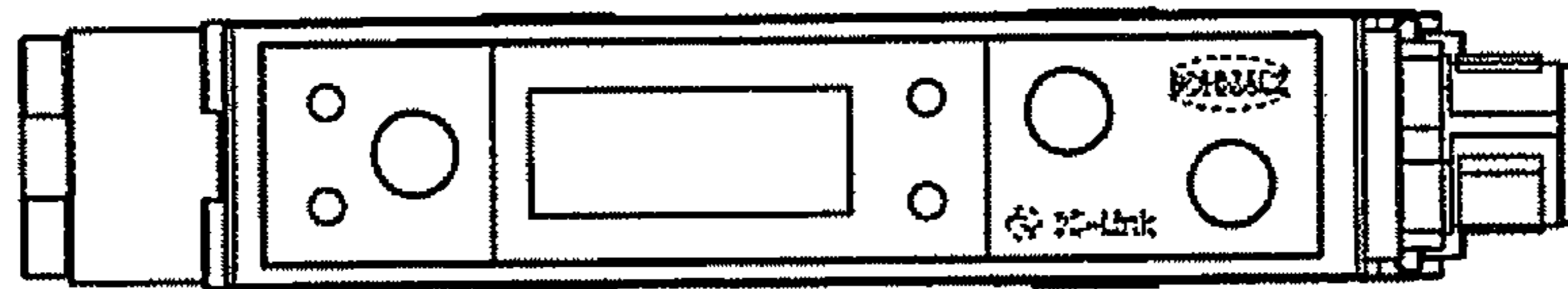


Fig. 3

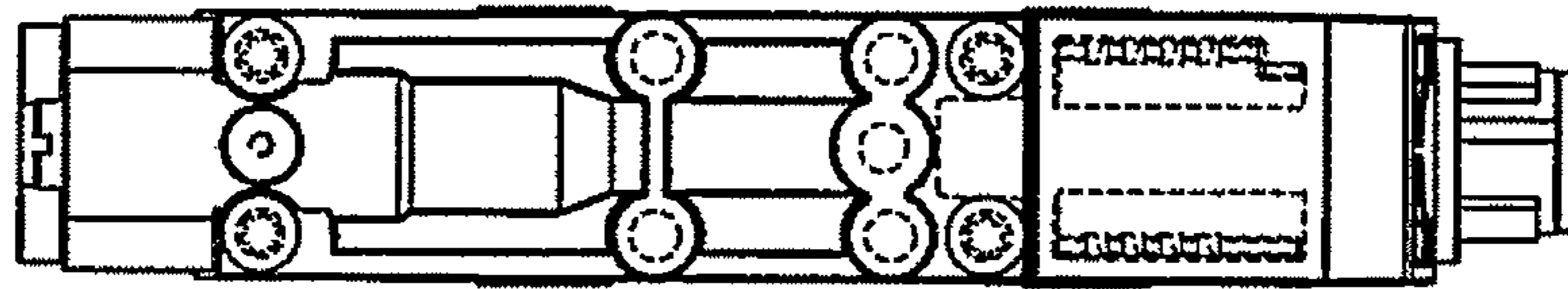


Fig. 4

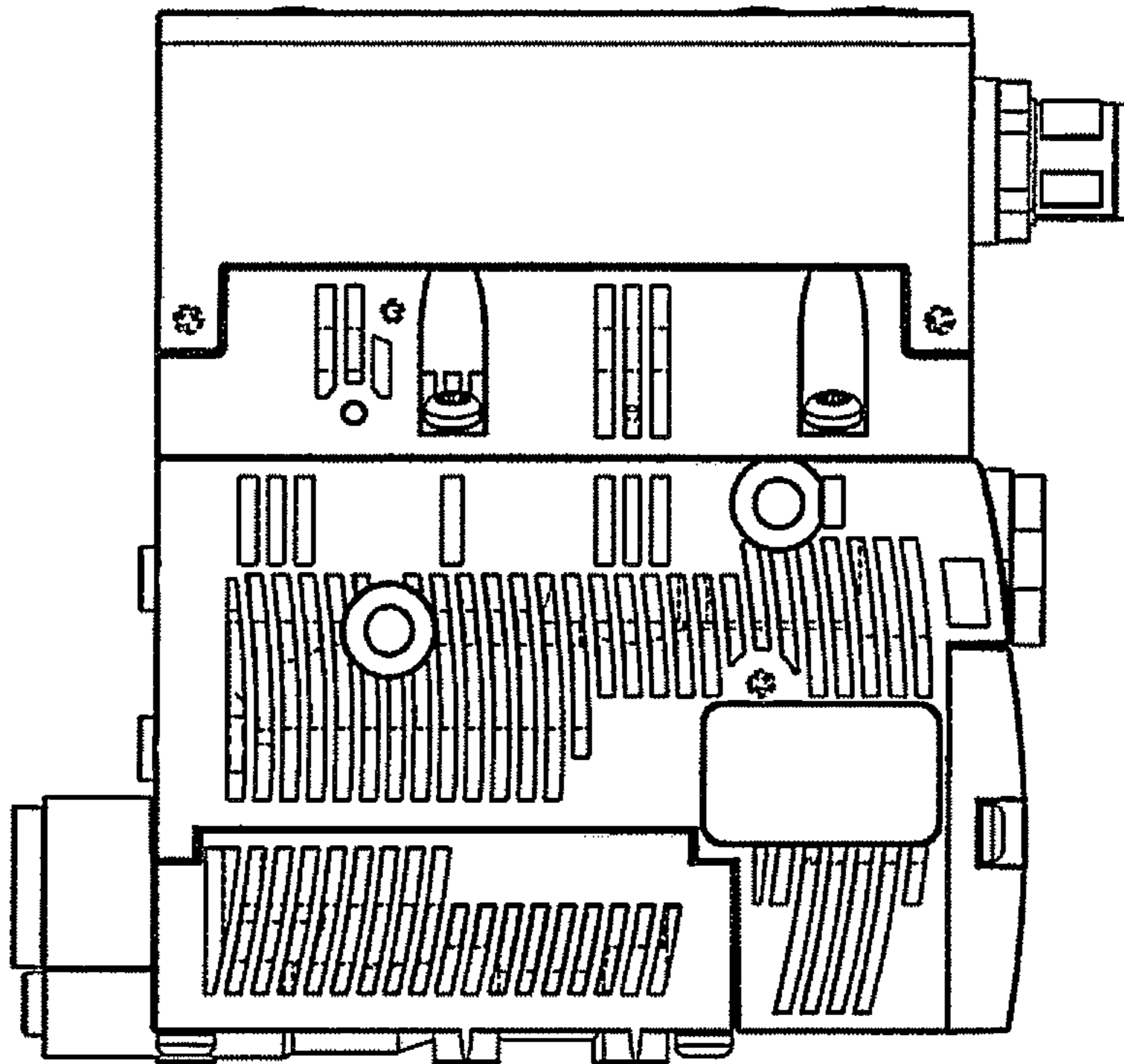


Fig. 5

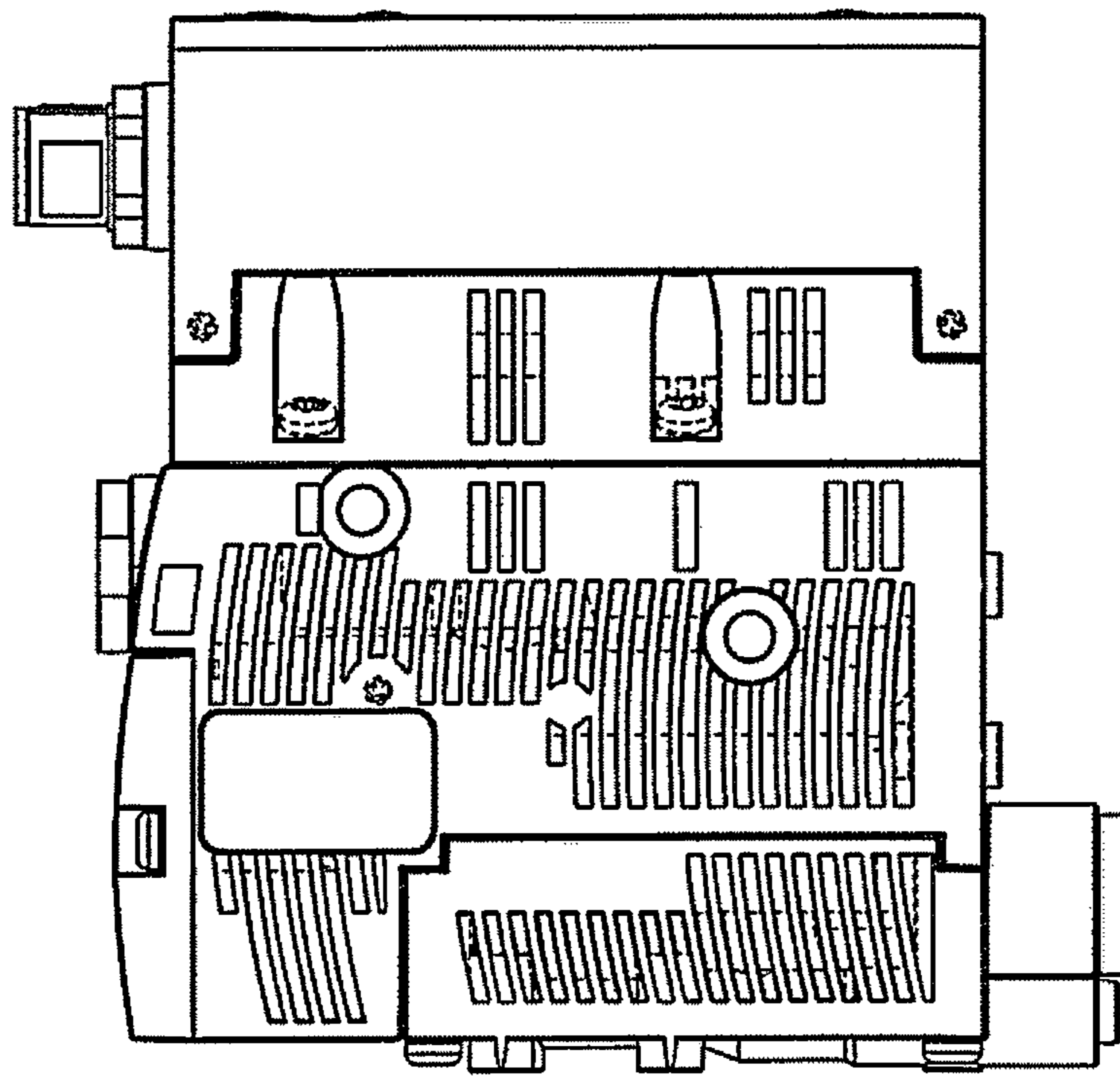


Fig. 6

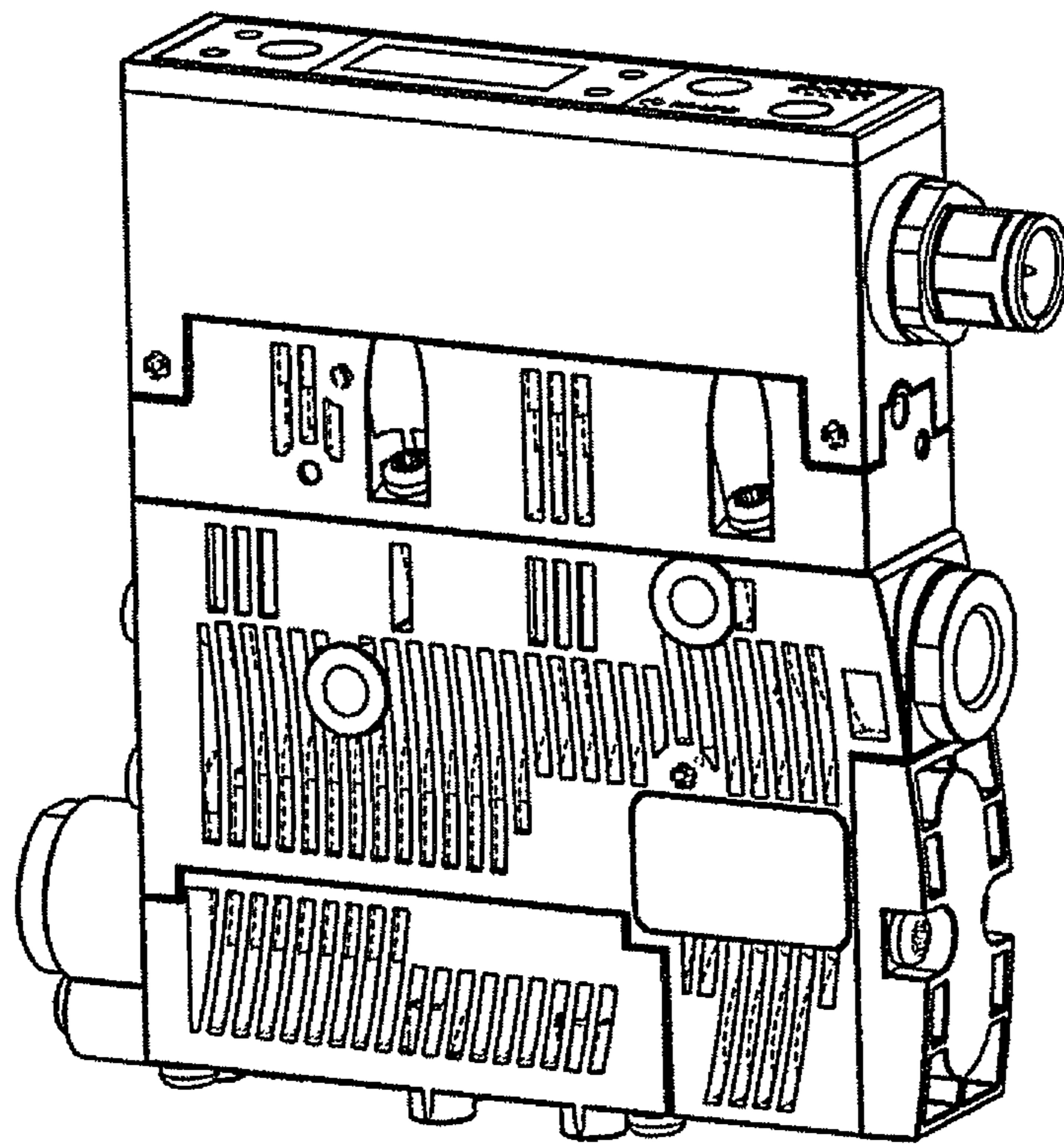


Fig. 7