



US00D723062S

(12) **United States Design Patent**
Isono

(10) **Patent No.:** **US D723,062 S**
(45) **Date of Patent:** **** Feb. 24, 2015**

(54) **RECOIL COVER OF AN
INTERNAL-COMBUSTION ENGINE**

(71) Applicant: **Honda Motor Co., Ltd.**, Tokyo (JP)

(72) Inventor: **Fumiya Isono**, Wako (JP)

(73) Assignee: **Honda Motor Co., Ltd.**, Tokyo (JP)

(**) Term: **14 Years**

(21) Appl. No.: **29/461,633**

(22) Filed: **Jul. 25, 2013**

(30) **Foreign Application Priority Data**

Jan. 25, 2013 (JP) 2013-001413

(51) **LOC (10) Cl.** **15-01**

(52) **U.S. Cl.**
USPC **D15/5**

(58) **Field of Classification Search**
USPC D15/1-6; 123/185.2, 185.3, 179.1,
123/185.1
See application file for complete search history.

(56) **References Cited**

U.S. PATENT DOCUMENTS

D282,071 S	1/1986	Nakamura	
6,827,055 B2 *	12/2004	Tsunoda et al.	123/185.14
7,096,842 B2 *	8/2006	Lin et al.	123/185.3
D529,046 S	9/2006	Maeda et al.	
D552,128 S *	10/2007	Li	D15/1
D561,784 S *	2/2008	Yin et al.	D15/1
D583,829 S *	12/2008	Fan	D15/1
D619,620 S *	7/2010	Mayer et al.	D15/5

D628,596 S *	12/2010	Azuma	D15/1
D628,597 S *	12/2010	Dai et al.	D15/1
D638,444 S *	5/2011	He et al.	D15/1
D671,958 S *	12/2012	Wu et al.	D15/1
D689,522 S *	9/2013	Johnson et al.	D15/1
D695,317 S *	12/2013	Yano et al.	D15/1
D709,522 S *	7/2014	Yano et al.	D15/1
D709,523 S *	7/2014	Nonaka et al.	D15/1
2004/0107935 A1 *	6/2004	Nieda et al.	123/185.3
2006/0075985 A1 *	4/2006	Lin et al.	123/185.3
2009/0301425 A1 *	12/2009	Sato et al.	123/185.3

* cited by examiner

Primary Examiner — T. Chase Nelson

Assistant Examiner — Ania Aman

(74) *Attorney, Agent, or Firm* — Westerman, Hattori,
Daniels & Adrian, LLP

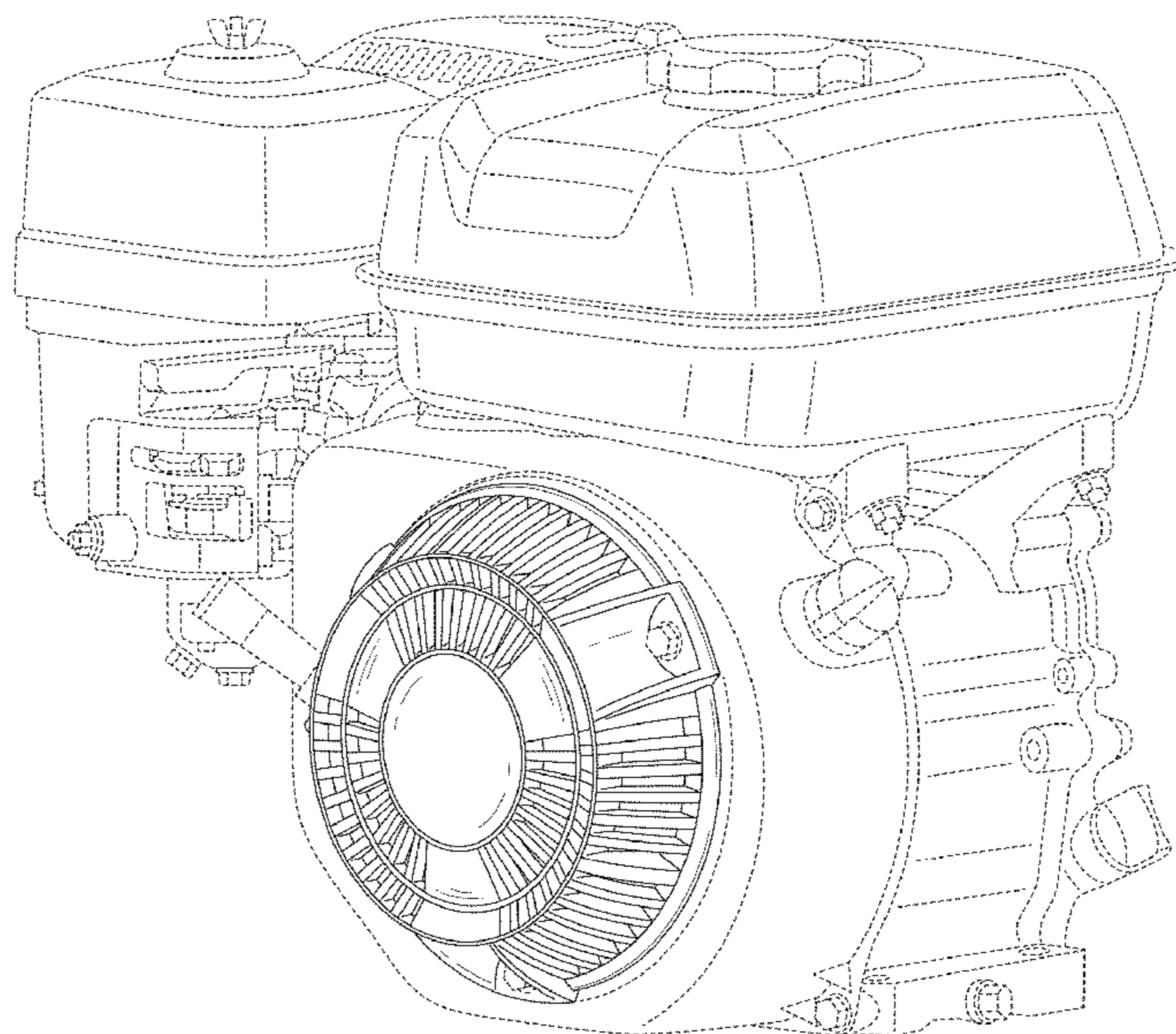
(57) **CLAIM**

The ornamental design for, a recoil cover of an internal-combustion engine, as shown and described.

DESCRIPTION

FIG. 1 is a first perspective view of a recoil cover of an internal-combustion engine, showing our new design; FIG. 2 is a second perspective view thereof; FIG. 3 is a front elevation view thereof; FIG. 4 is a rear elevation view thereof; FIG. 5 is a top plan view thereof; FIG. 6 is a bottom plan view thereof; FIG. 7 is a right side elevation view thereof; and, FIG. 8 is a left side elevation view thereof. The broken lines are for illustrative purposes only and form no part of the claimed design.

1 Claim, 8 Drawing Sheets



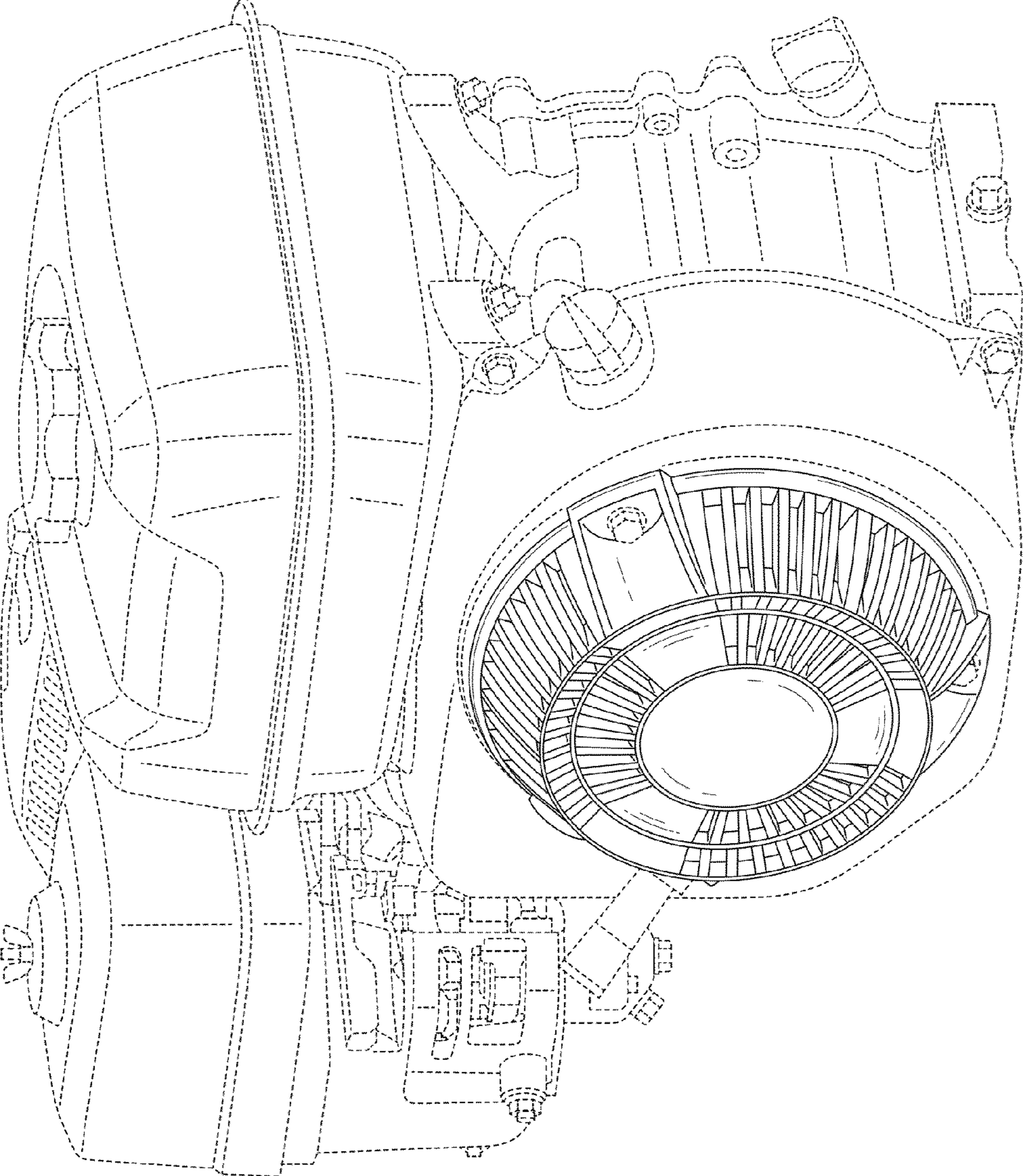


Fig. 1

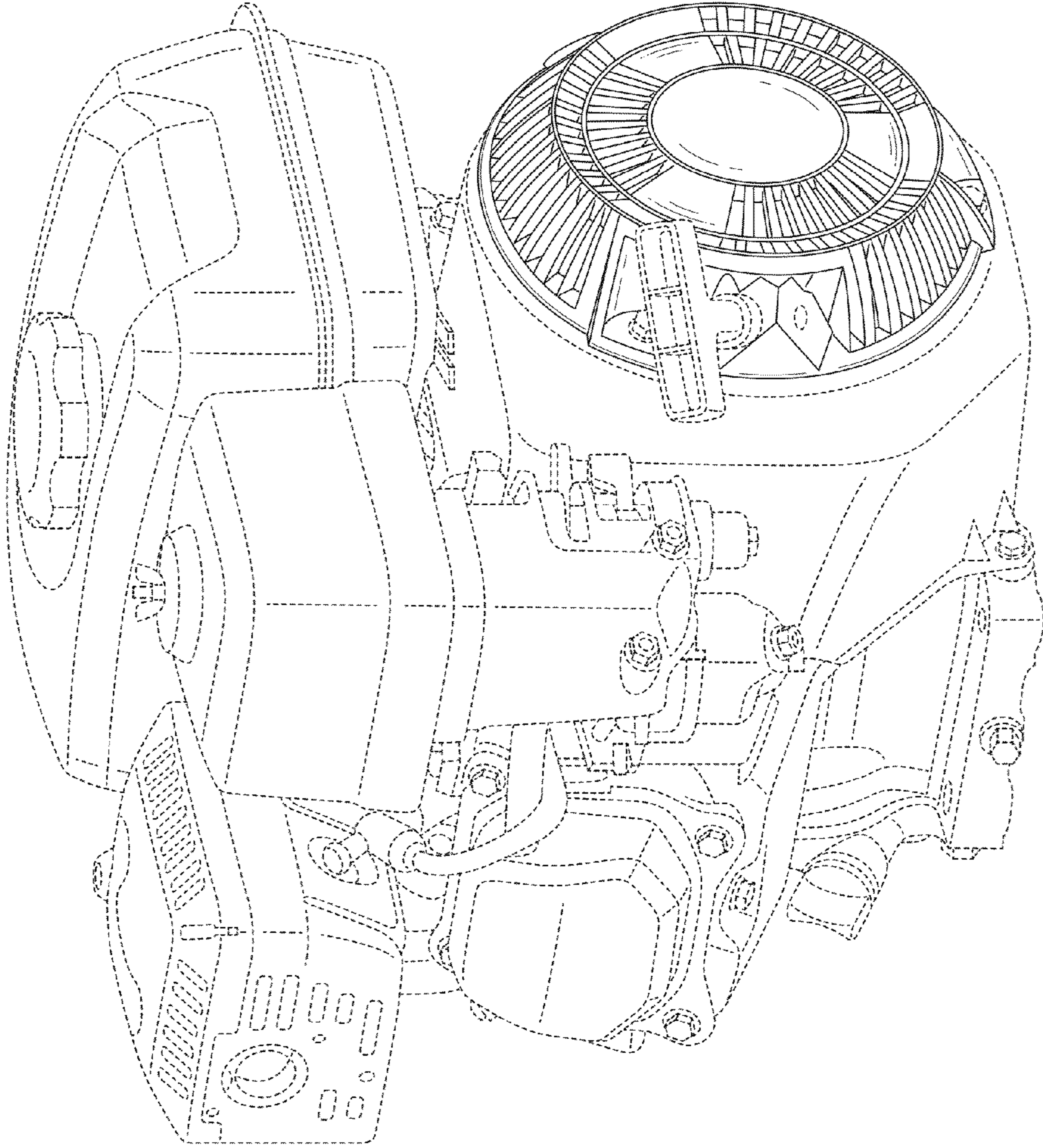


Fig. 2

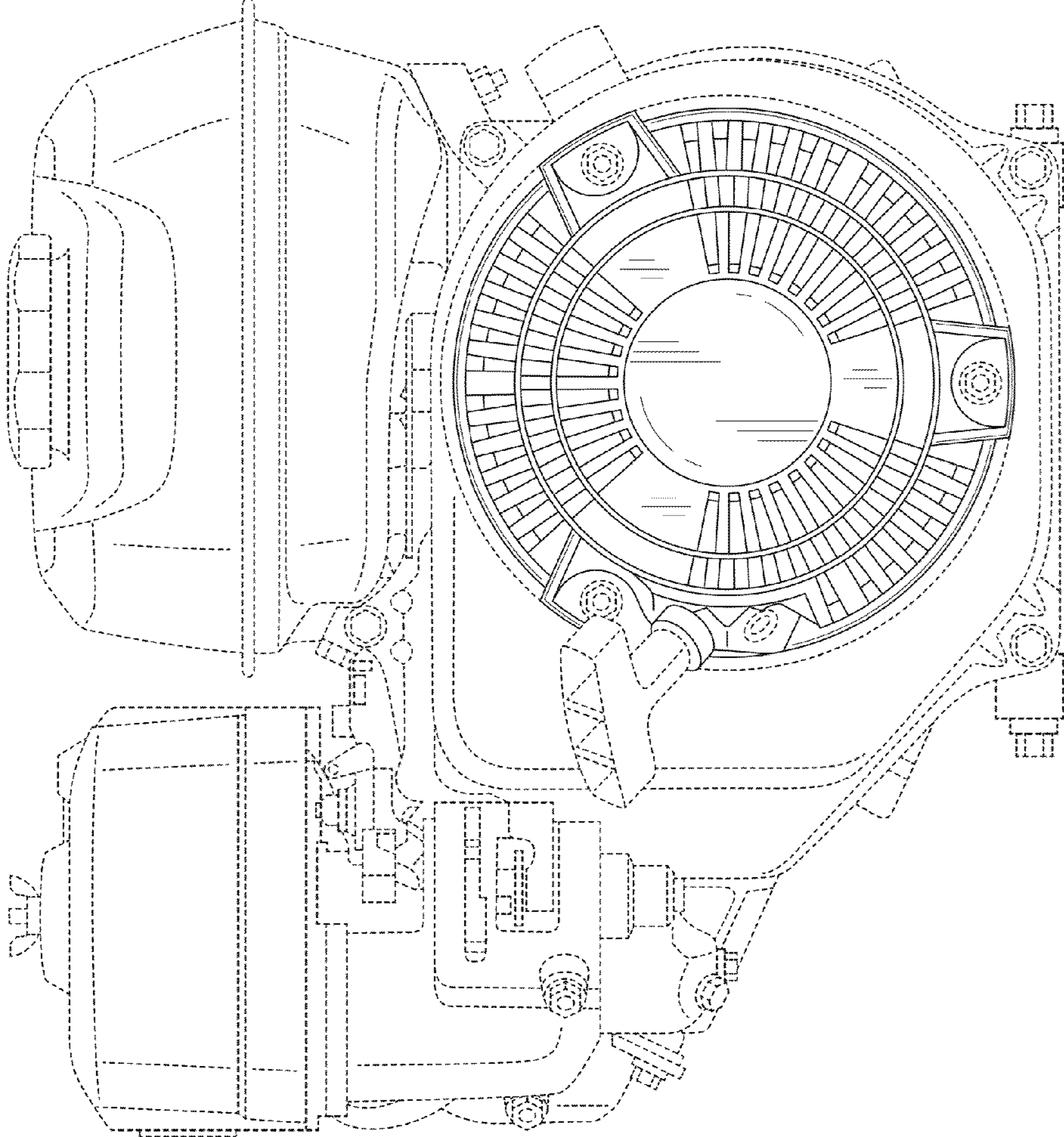


Fig. 3

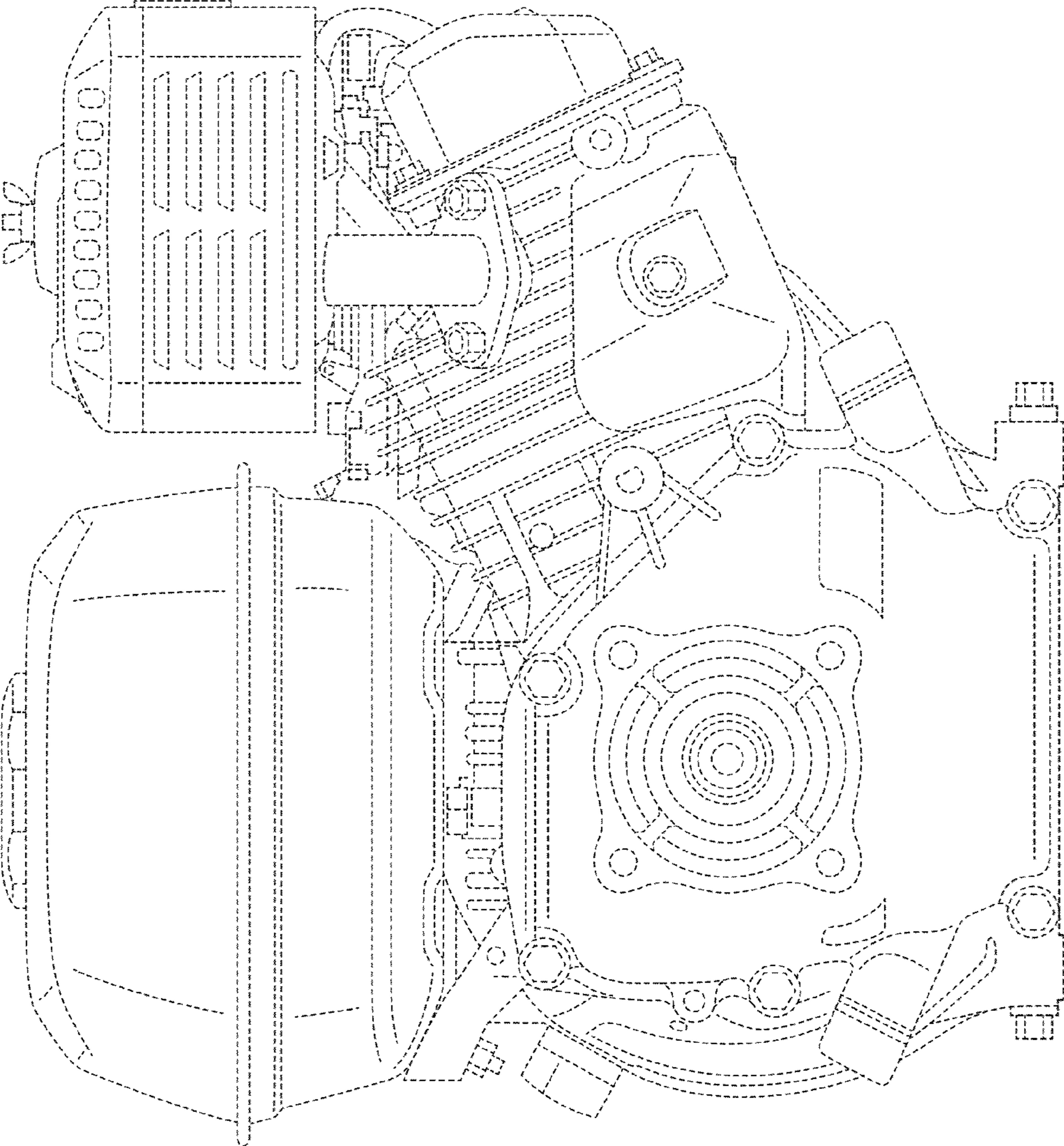


Fig. 4

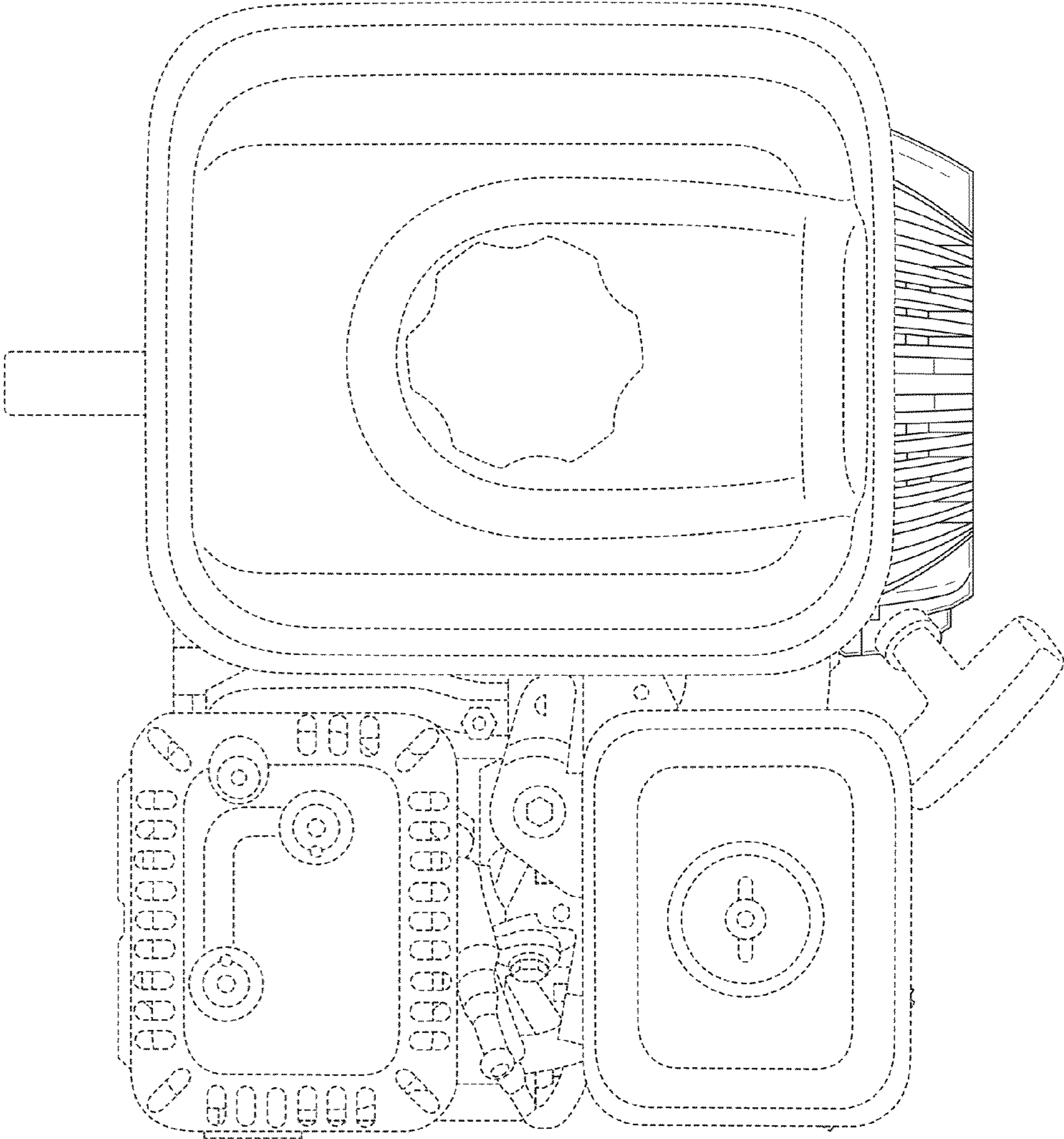


Fig. 5

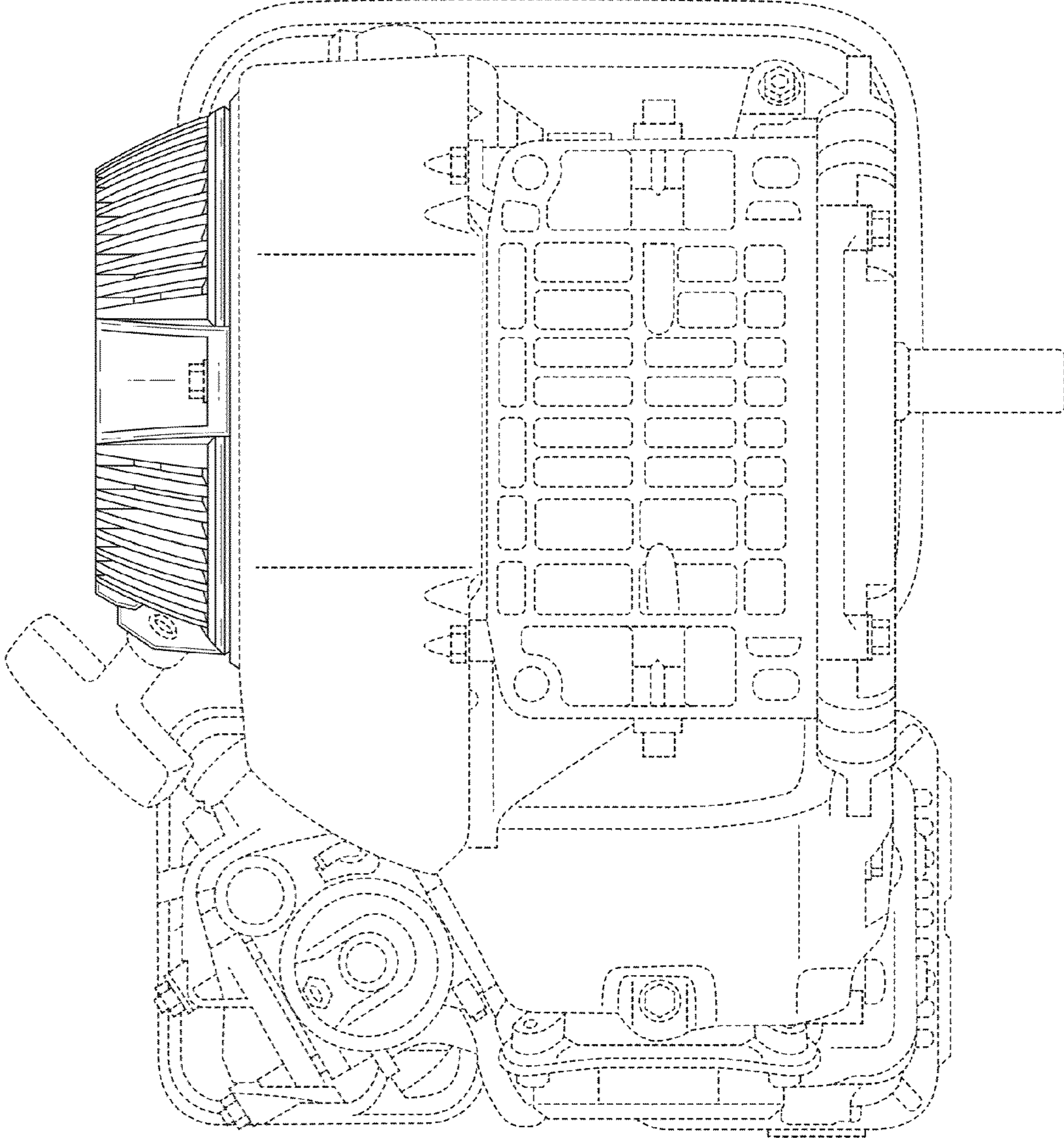


Fig. 6

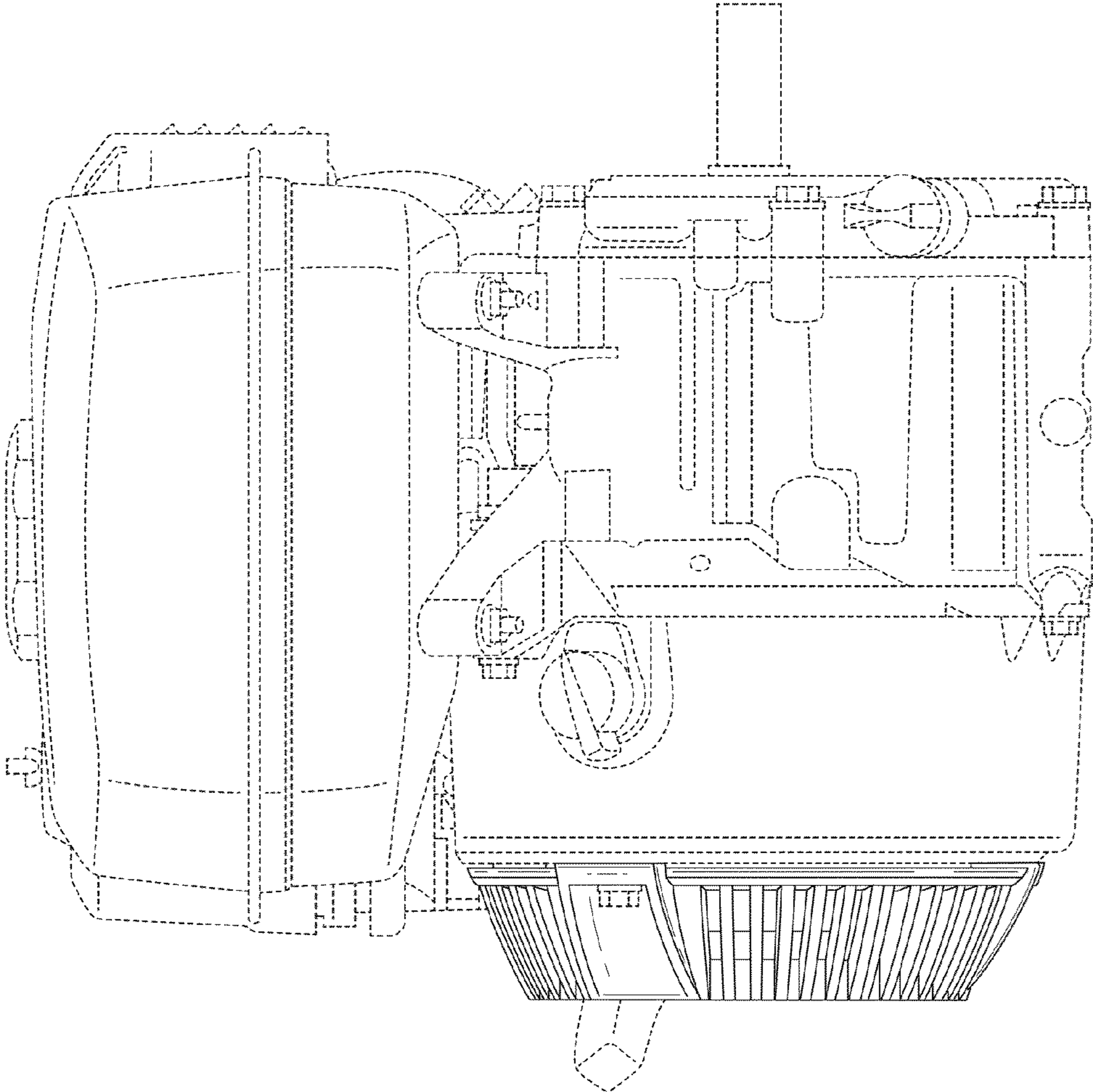


Fig. 7

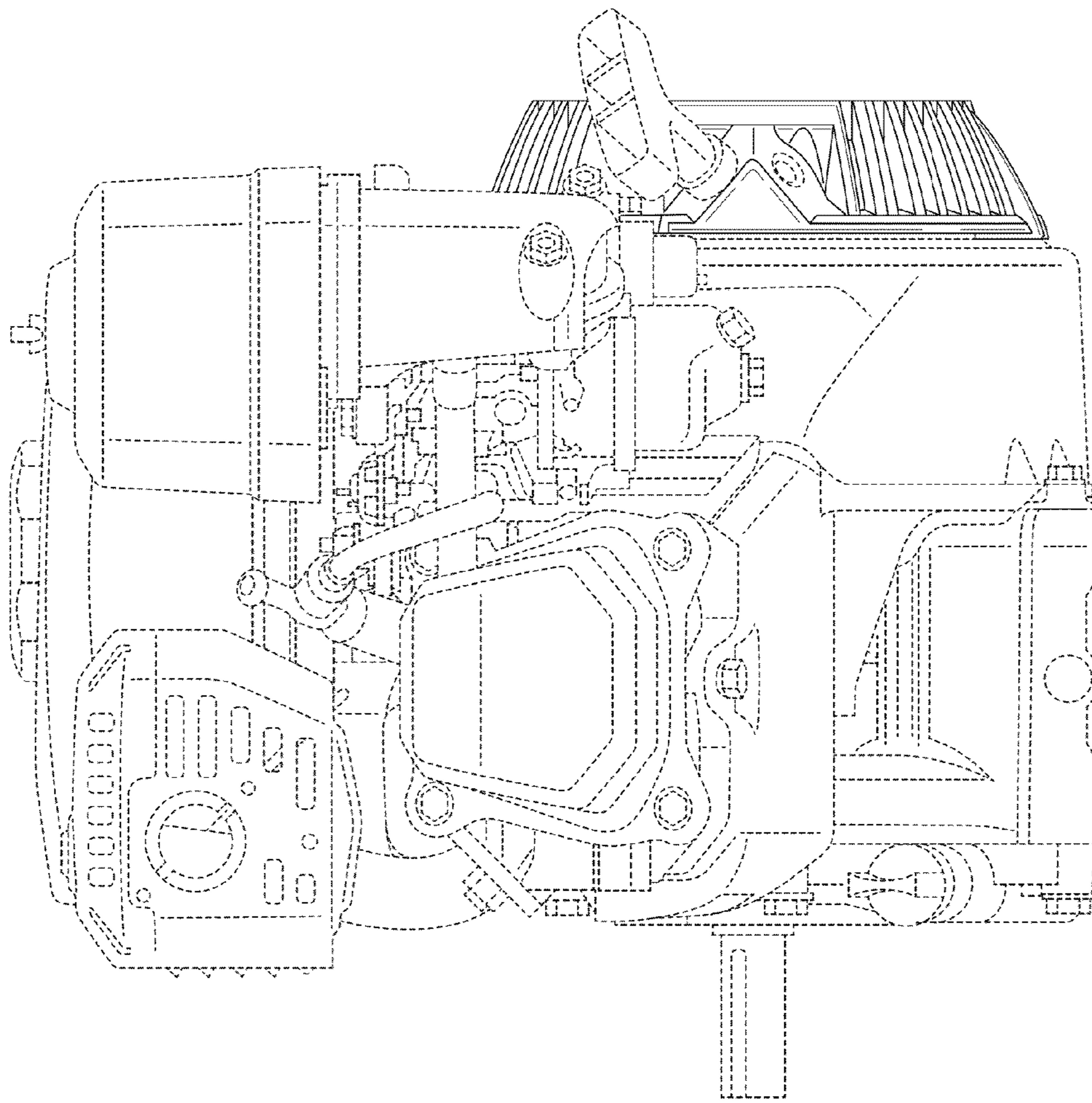


Fig. 8